



US00D332305S

United States Patent [19]

[11] Patent Number: Des. 332,305

Karlsson

[45] Date of Patent: \*\* Jan. 5, 1993

[54] EXTRACTION HOOD FOR USE IN AN EXTRACTION SYSTEM TO EXHAUST FUMES FROM A WORK STATION

[75] Inventor: Hakån R. Karlsson, Eslöv, Sweden

[73] Assignee: AB Ph. Nederman & Co., Helsingborg, Sweden

[\*\*] Term: 14 Years

[21] Appl. No.: 556,811

[22] Filed: Jul. 24, 1990

[30] Foreign Application Priority Data

Jan. 31, 1990 [SE] Sweden ..... 90-0190
[52] U.S. Cl. .... D23/371
[58] Field of Search ..... D23/371, 372, 370: 126/301, 299 D: 98/115.1, 115.3

[56] References Cited

U.S. PATENT DOCUMENTS

D. 231,615 5/1974 Nygard ..... D23/372
380,500 4/1888 Linscott .
398,968 3/1889 Jones et al. .... 126/301
404,194 5/1889 Holm ..... 126/299 D
2,905,073 9/1959 Aveni .
3,082,680 3/1963 Nevin et al. .... 126/299 D
3,520,115 7/1970 Bowen ..... 98/115.3
4,584,929 4/1986 Järmyr et al. .... 98/115.1

FOREIGN PATENT DOCUMENTS

143538 9/1981 Denmark .
2334432 7/1977 France .
8702139 5/1987 Sweden .

OTHER PUBLICATIONS

Optic-Aire Systems, Inc. Adv. Brochure. ©1968, back cover, fume hood, upper left side of page.
Swedish Brochure "Bahco Toronado Platsutsugbho", 1983.
Soviet Publication #SU-916,913 "Soviet Inventions Illustrated", 1983.

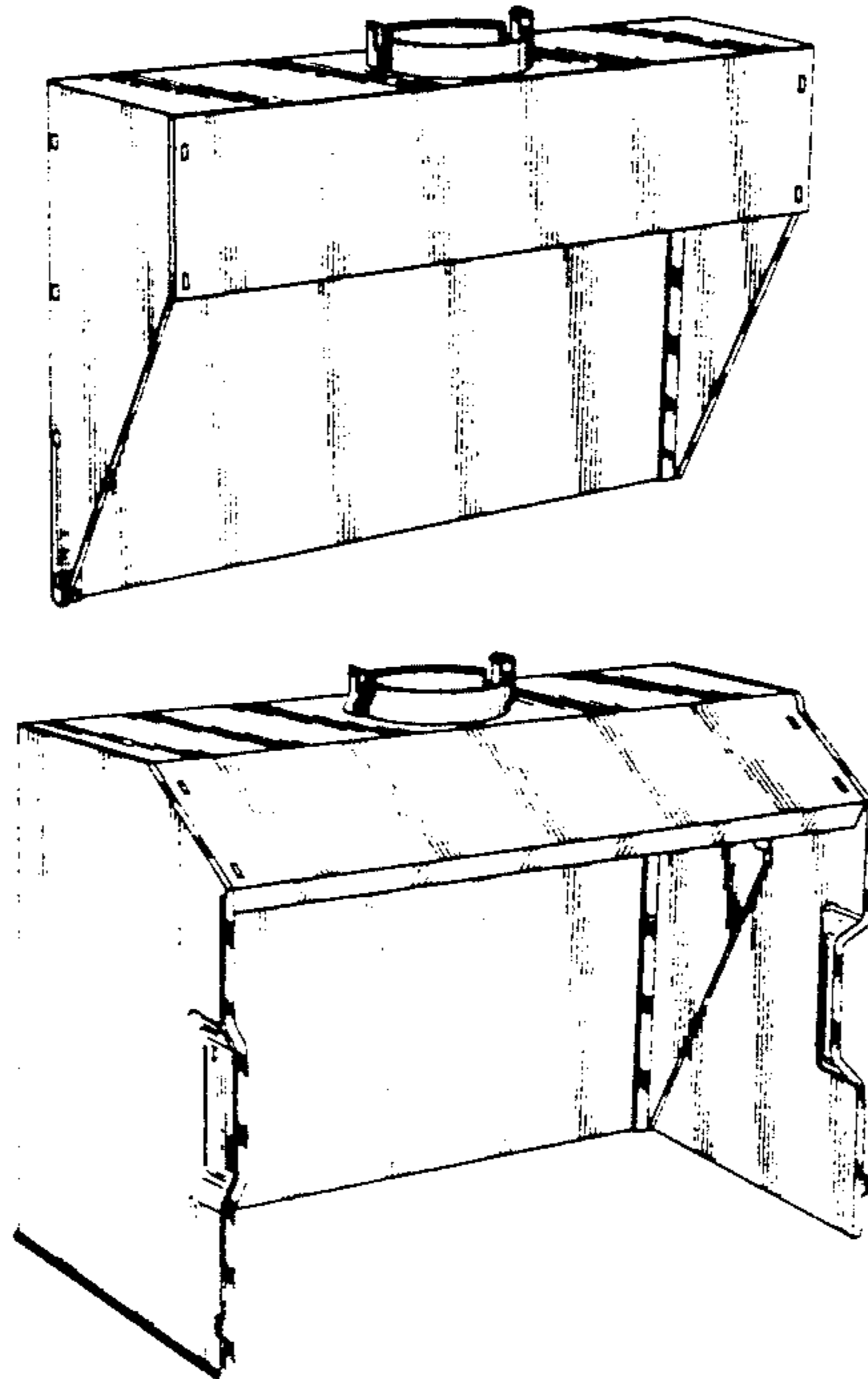
Primary Examiner—Wallace R. Burke
Assistant Examiner—Lisa Lichtenstein
Attorney, Agent, or Firm—Bacon & Thomas

[57] CLAIM

The ornamental design for an extraction hood for use in an extraction system to exhaust fumes from a work station, as shown and described.

DESCRIPTION

FIG. 1 is a front, top, and left side perspective view of an extraction hood for use in an extraction system to exhaust fumes from a work station, showing my new design;
FIG. 2 is a rear elevation view thereof;
FIG. 3 is a bottom plan view thereof;
FIG. 4 is a top plan view thereof;
FIG. 5 is a front elevation view thereof;
FIG. 6 is a right side elevation view thereof;
FIG. 7 is a front, top and left side perspective view of an extraction hood for use in an extraction system to exhaust fumes from a work station, showing my new design with the side flaps and top flap in forwardly extending position;
FIG. 8 is a rear elevation view of FIG. 7;
FIG. 9 is a bottom plan view of FIG. 7;
FIG. 10 is a top plan view of FIG. 7;
FIG. 11 is a front elevation view of FIG. 7; and,
FIG. 12 is a right side elevation view of FIG. 7.



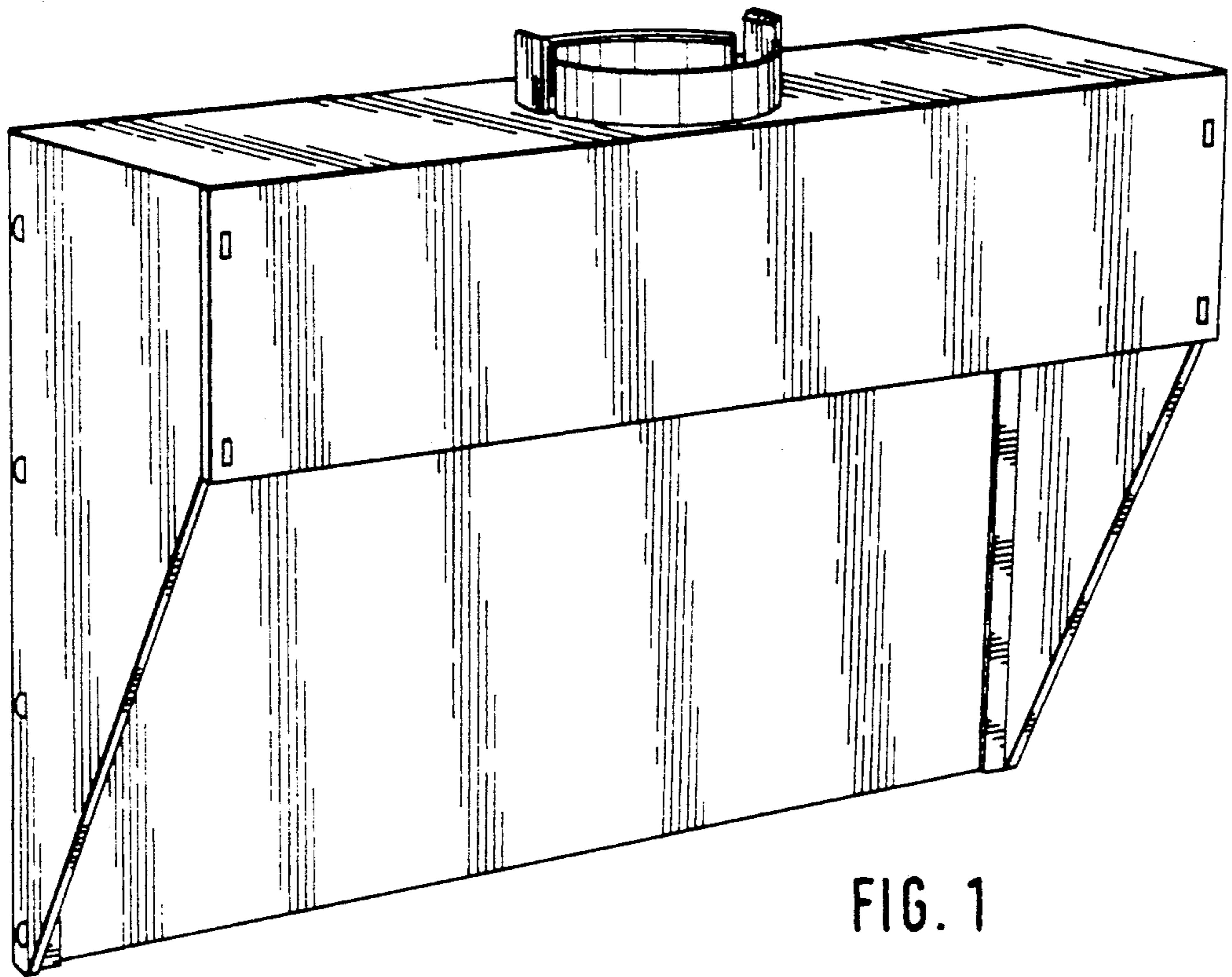


FIG. 1

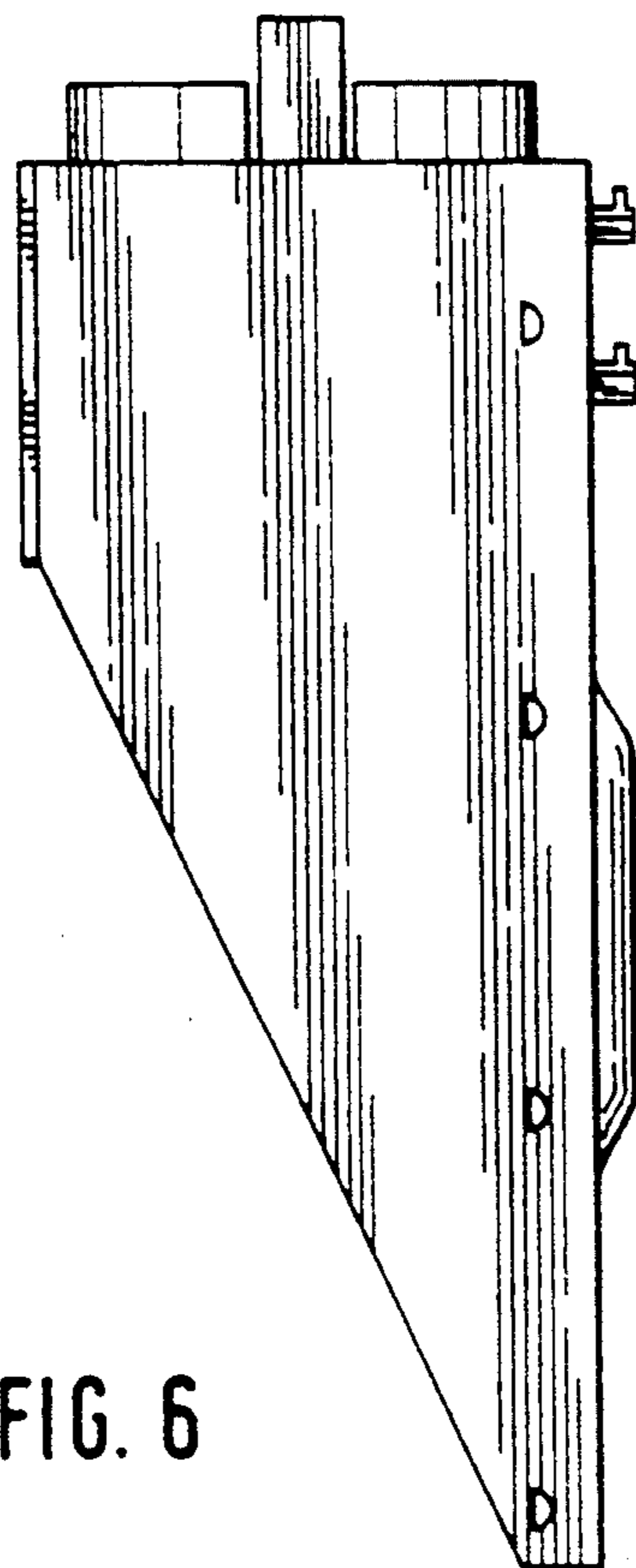


FIG. 6

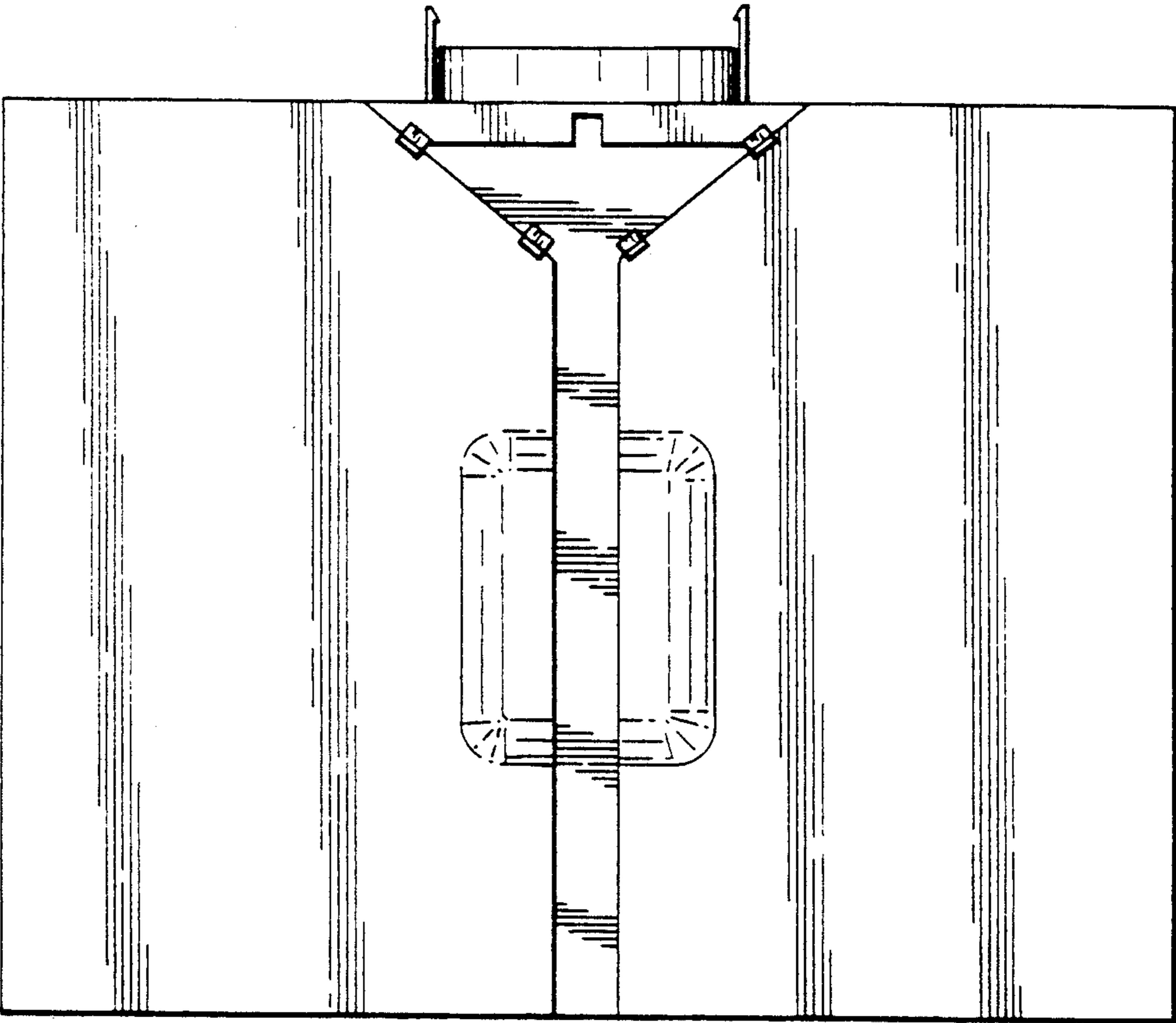


FIG. 2

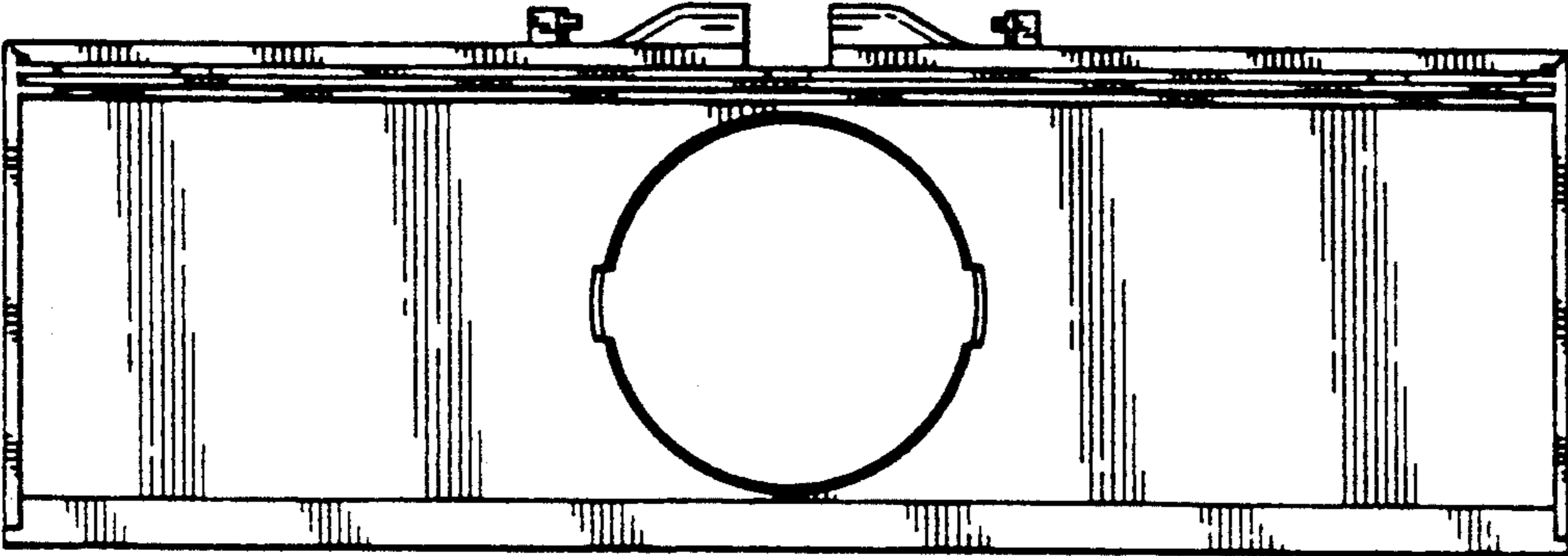


FIG. 3

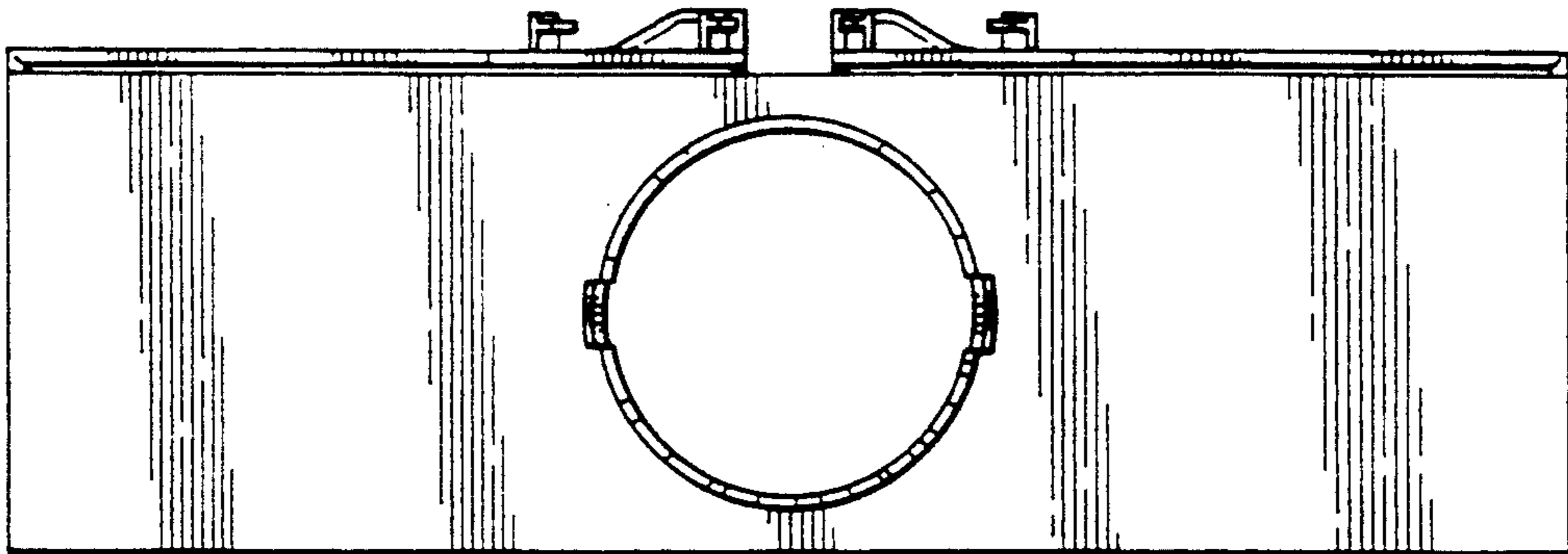


FIG. 4

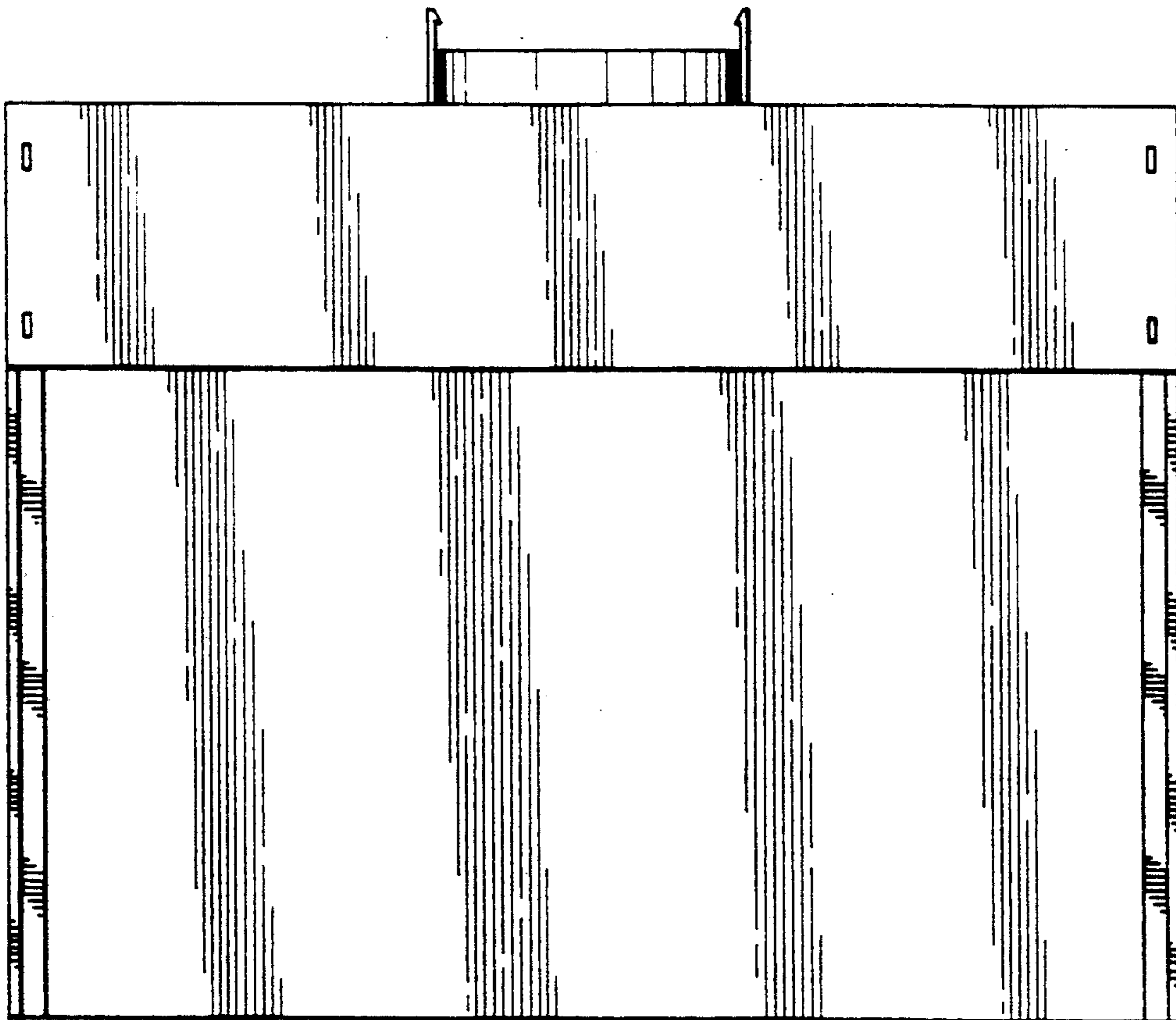


FIG. 5



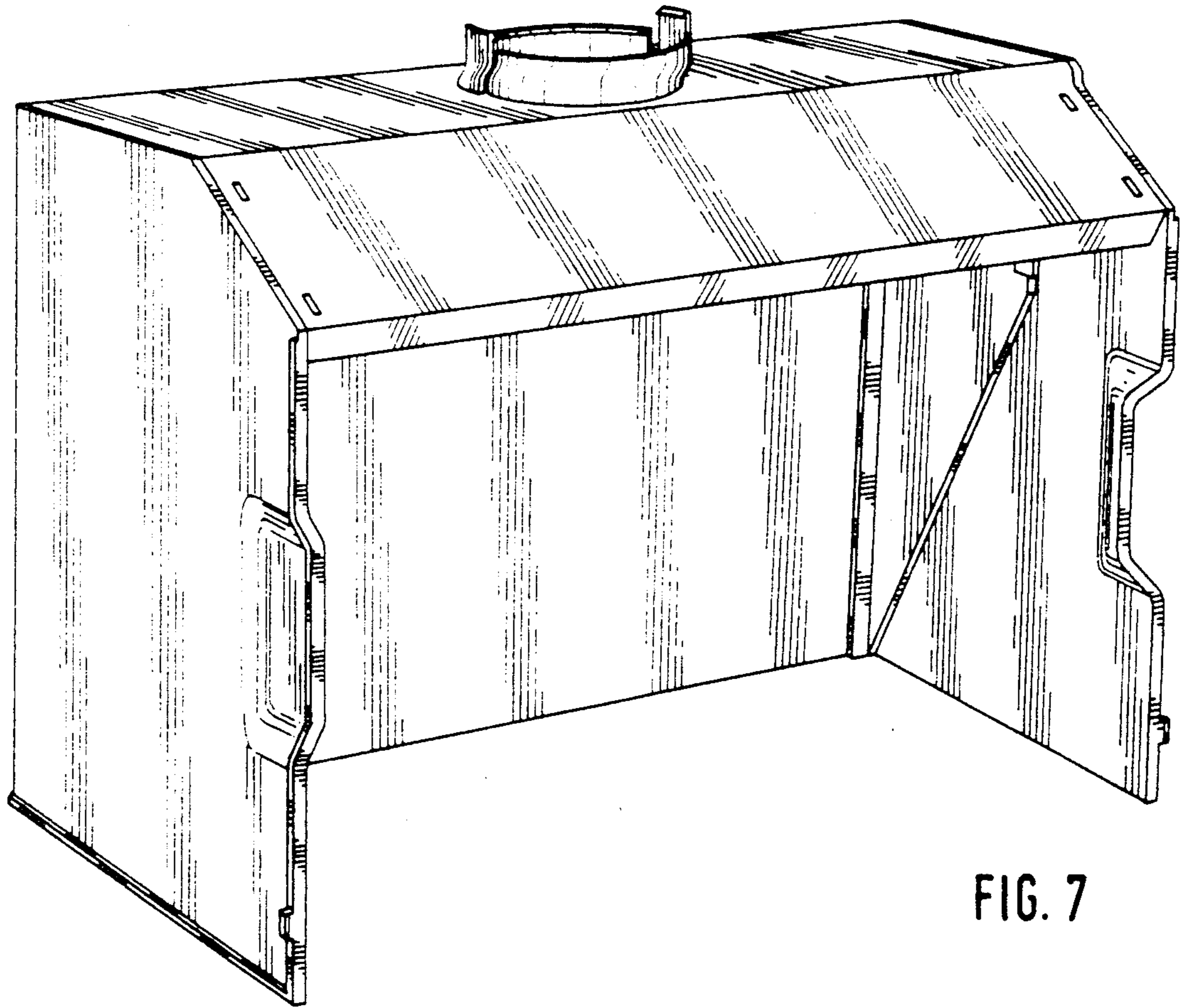
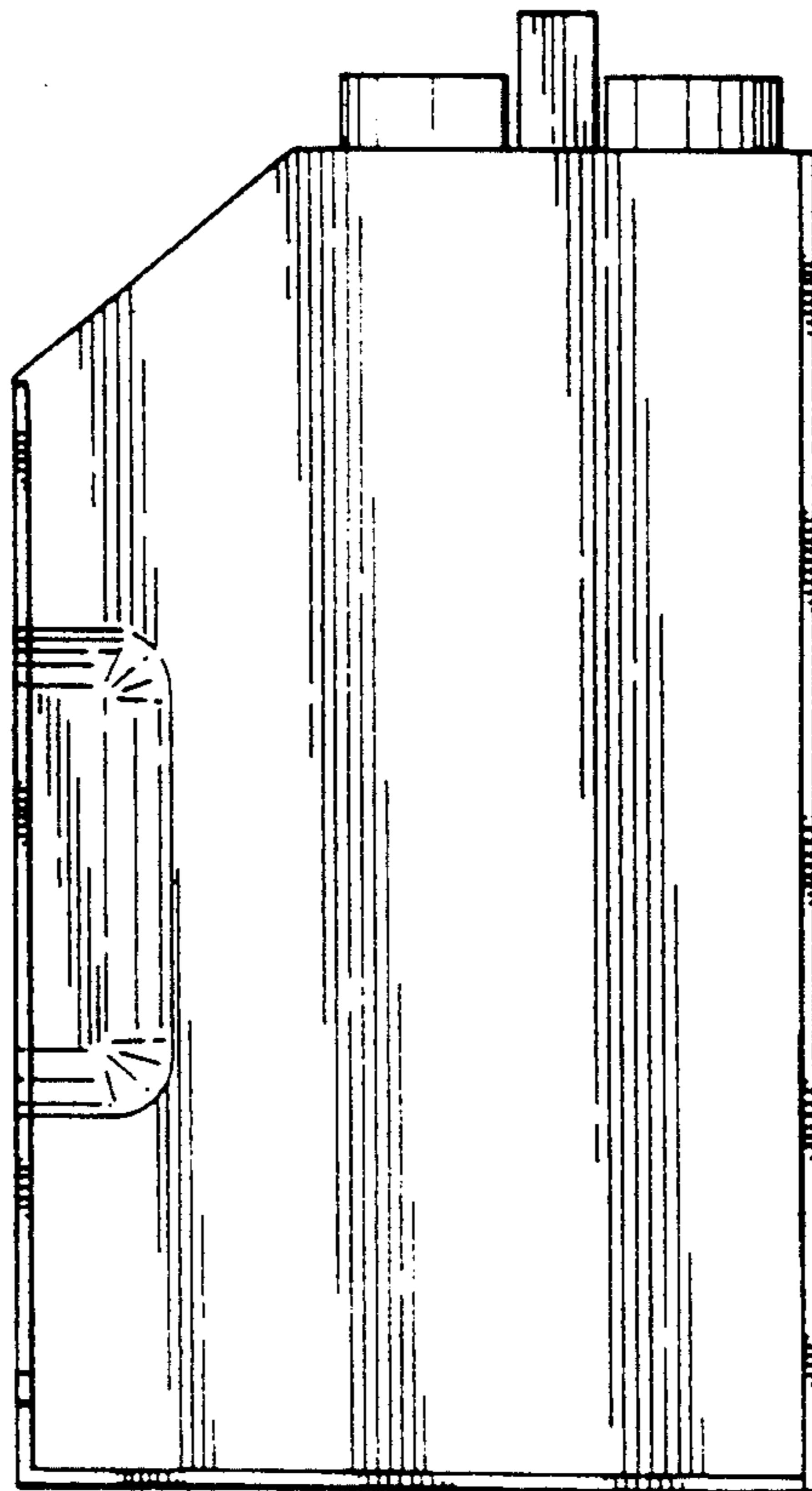


FIG. 7

FIG. 12



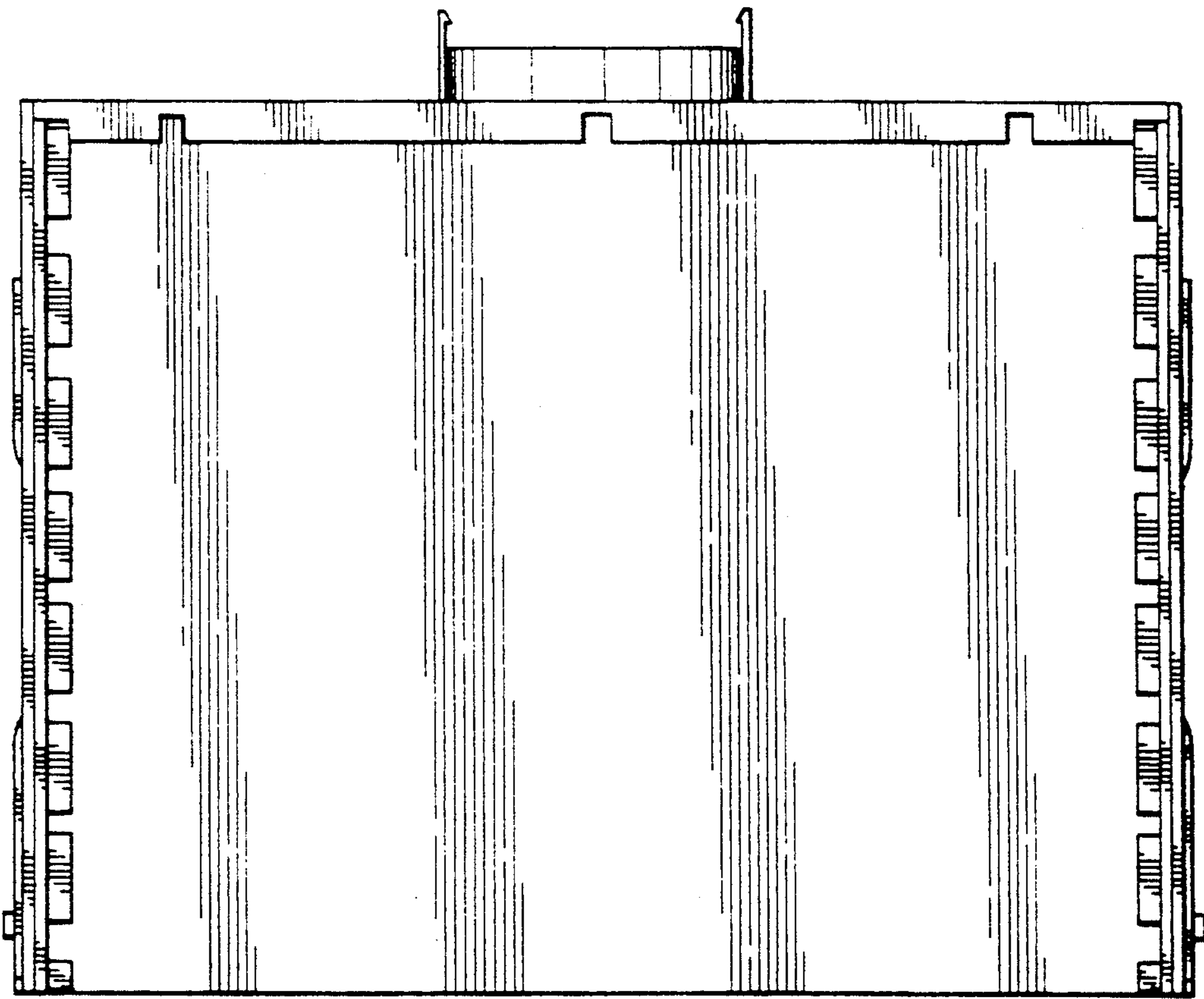


FIG. 8

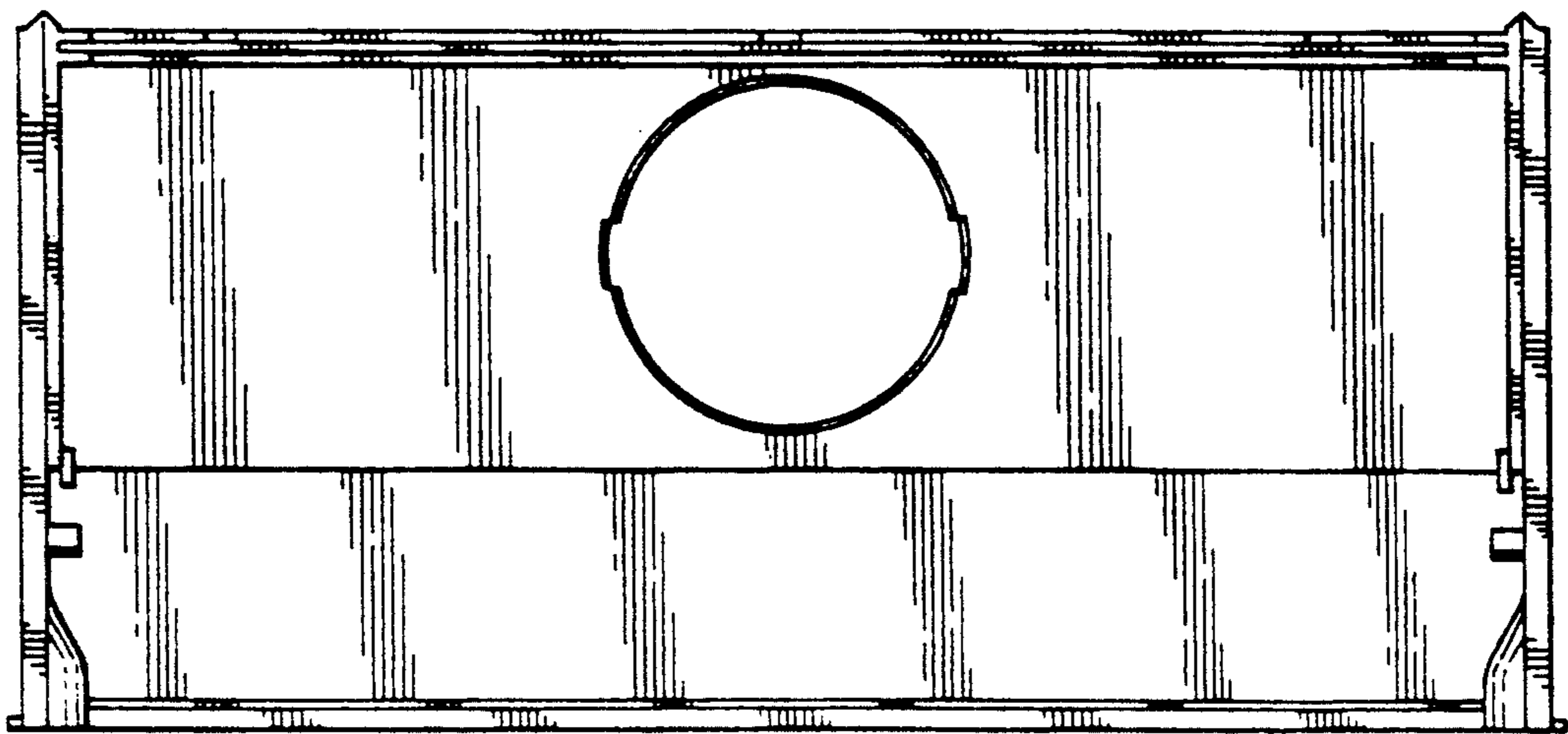


FIG. 9

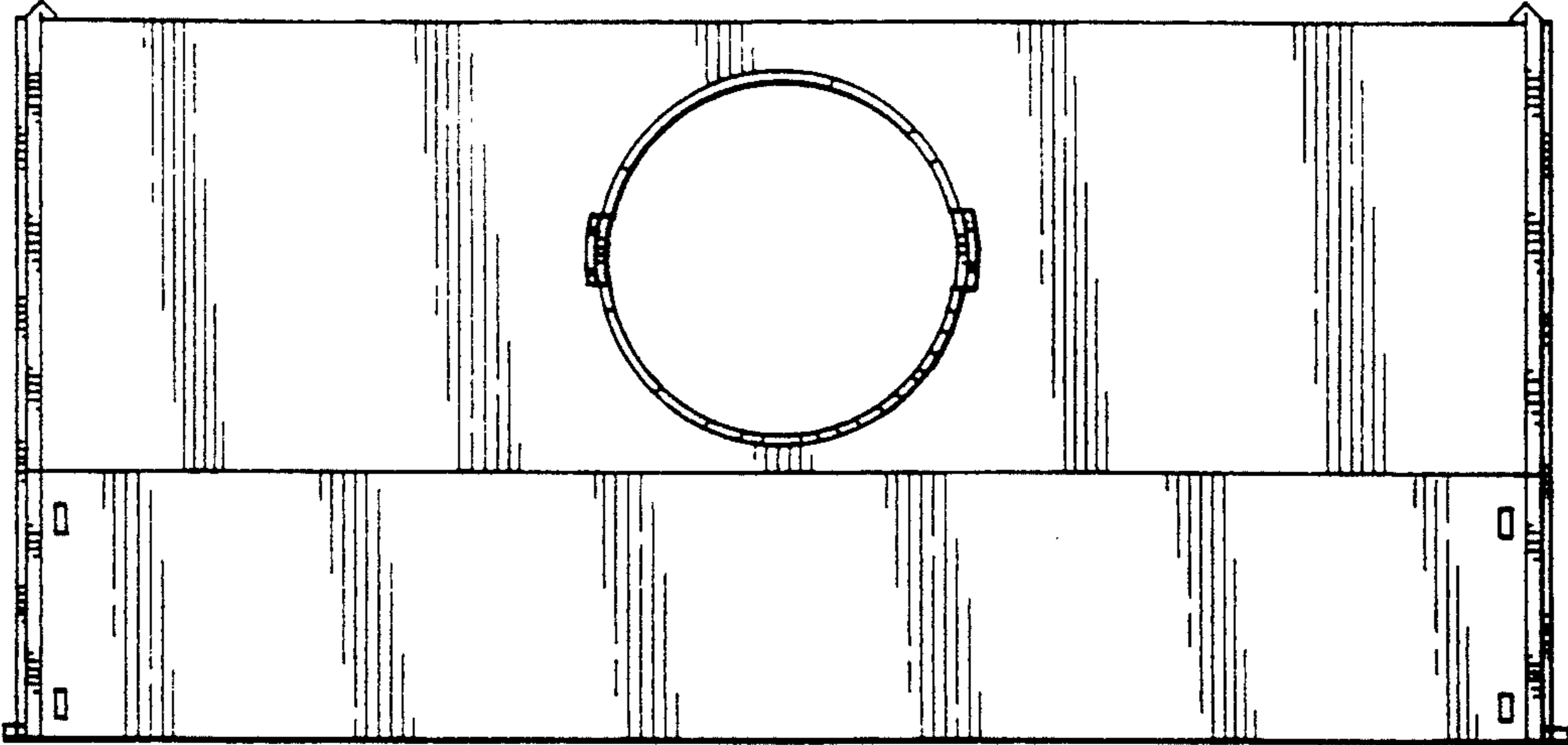


FIG. 10

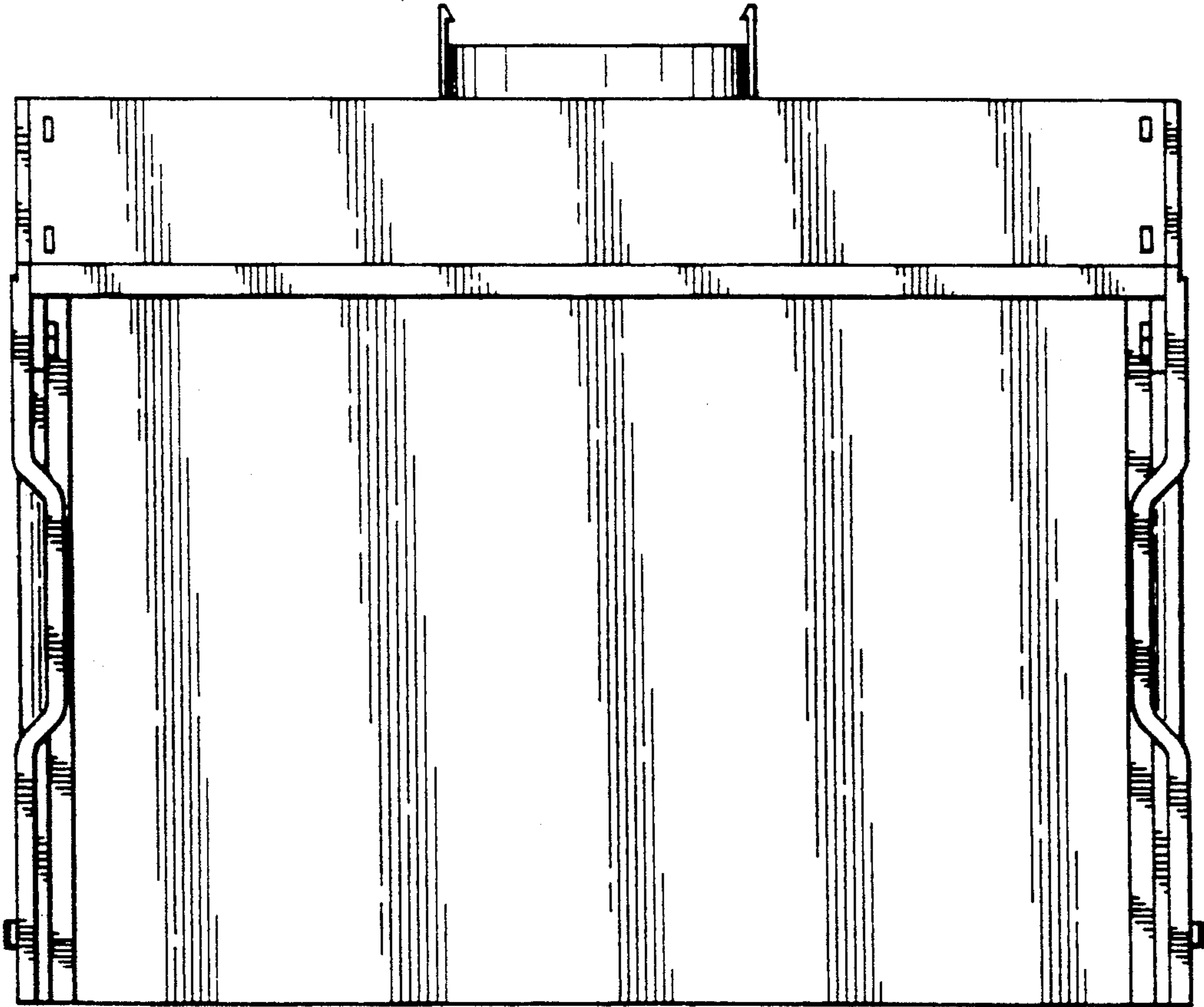


FIG. 11