



US00D332304S

# United States Patent [19]

Lefebvre et al.

[11] Patent Number: **Des. 332,304**

[45] Date of Patent: **\*\* Jan. 5, 1993**

[54] **LIFT TOILET SEAT FOR INVALIDS**

[76] Inventors: **Gerard P. Lefebvre**, 354 Sand Ter., Moultonboro, N.H. 03254; **Philip Richards**, 60 Carolyn St., Lowell, Mass. 01850

[\*\*] Term: **14 Years**

[21] Appl. No.: **529,163**

[22] Filed: **May 25, 1990**

[52] U.S. Cl. .... **D23/311**

[58] Field of Search ..... **D23/303-313;**  
4/250, 251

3,473,174	10/1969	Cool .....	4/251
3,925,833	12/1975	Hunter .	
4,103,371	8/1978	Wilson .....	4/251
4,168,552	9/1979	Austin .	
4,185,335	1/1980	Alvis .	
4,291,422	9/1981	Shoemaker et al. .	
4,833,736	5/1989	Sadler et al. ....	4/251
4,993,085	2/1991	Gibbons .....	4/251

*Primary Examiner*—James R. Largen  
*Attorney, Agent, or Firm*—Pearson & Pearson

[57] **CLAIM**

The ornamental design for a lift toilet seat for invalids, as shown and described.

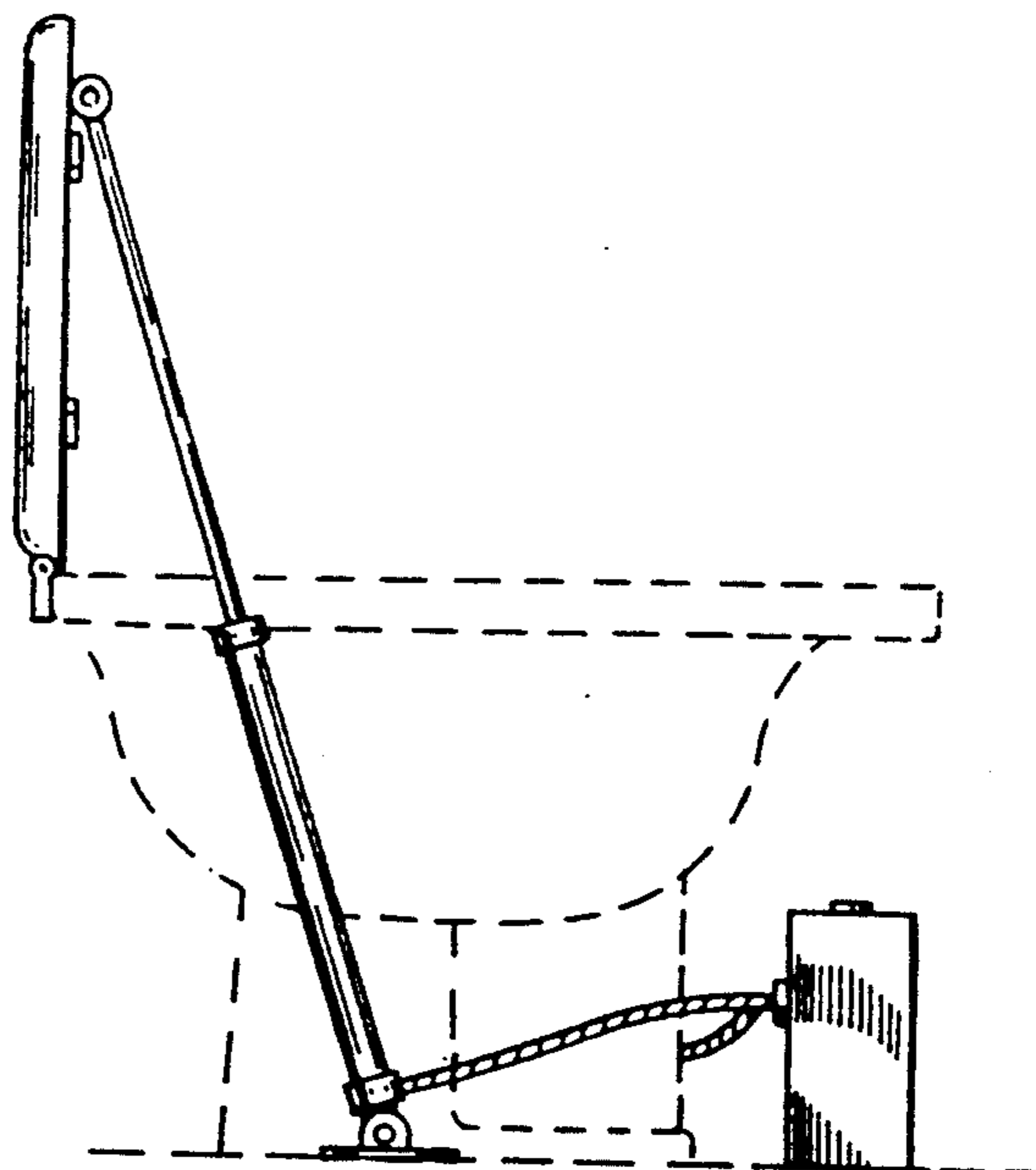
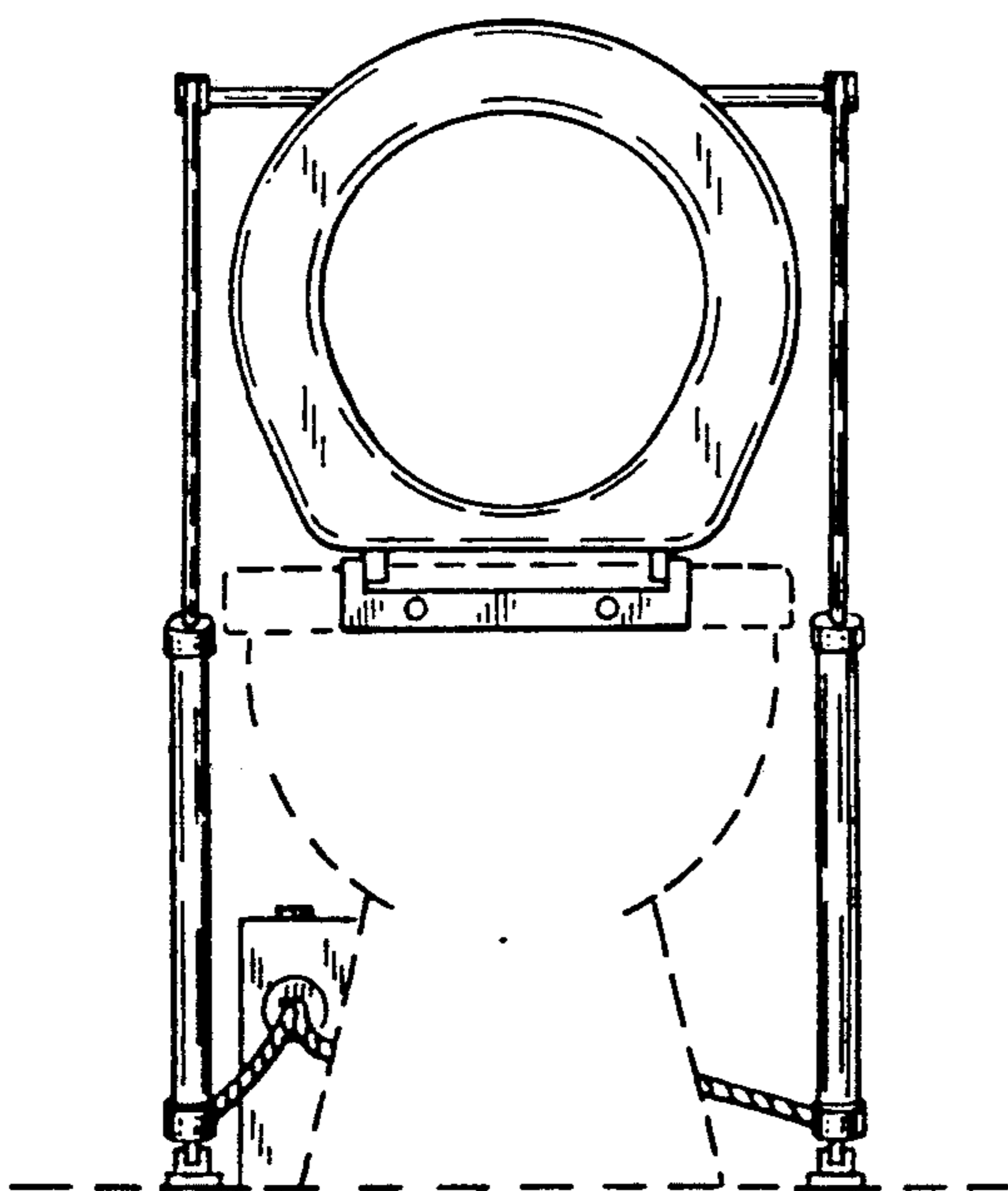
**DESCRIPTION**

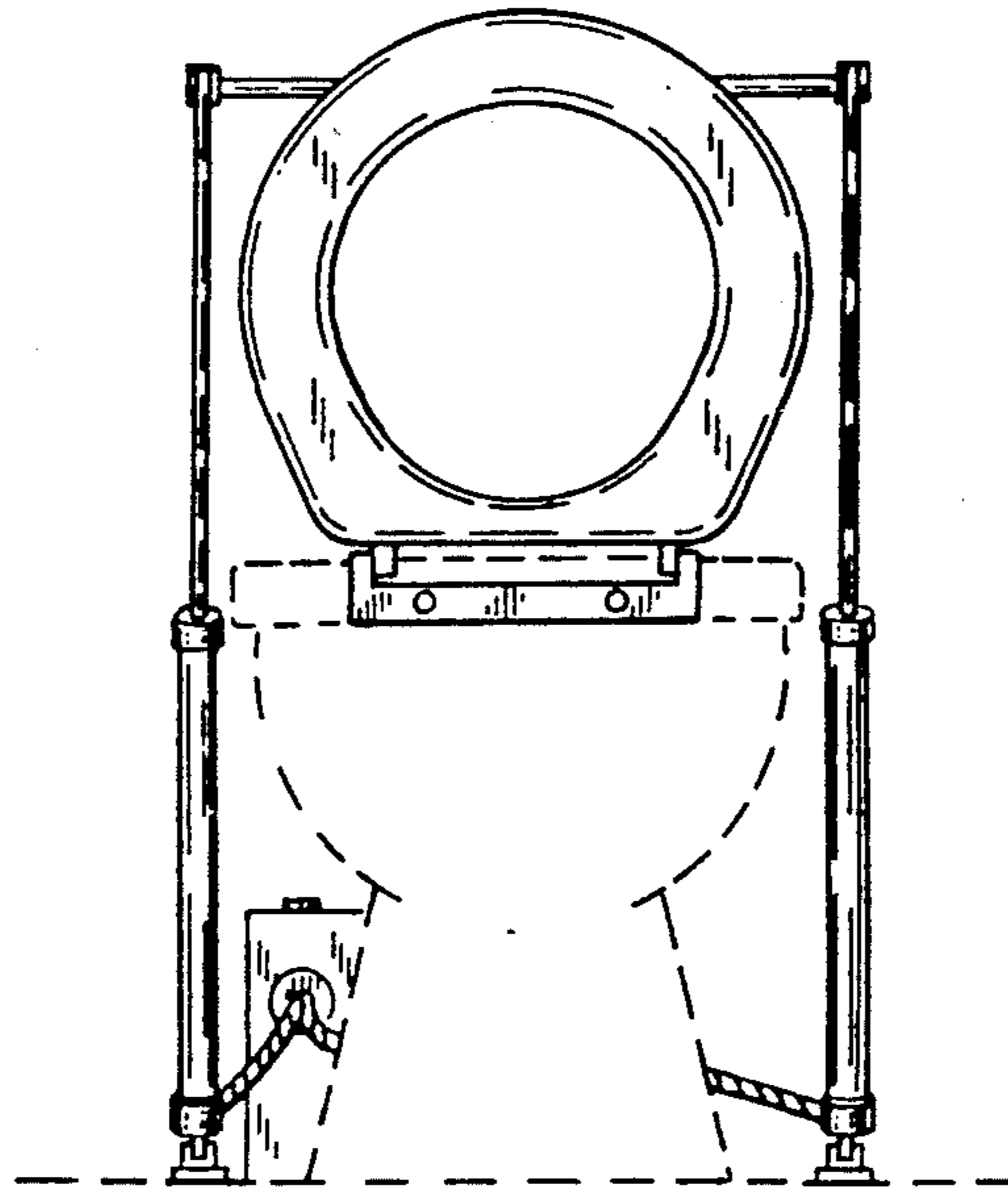
FIG. 1 is a front elevational view of a lift toilet seat for invalids showing our new design; FIG. 2 is a right side elevational view thereof; FIG. 3 is a left side elevational view thereof; FIG. 4 is a rear elevational view thereof; and, FIG. 5 is a top plan view thereof. The broken line representation of a toilet bowl in FIGS. 1 through 5 is for purposes of illustration only and forms no part of the claimed design.

[56] **References Cited**

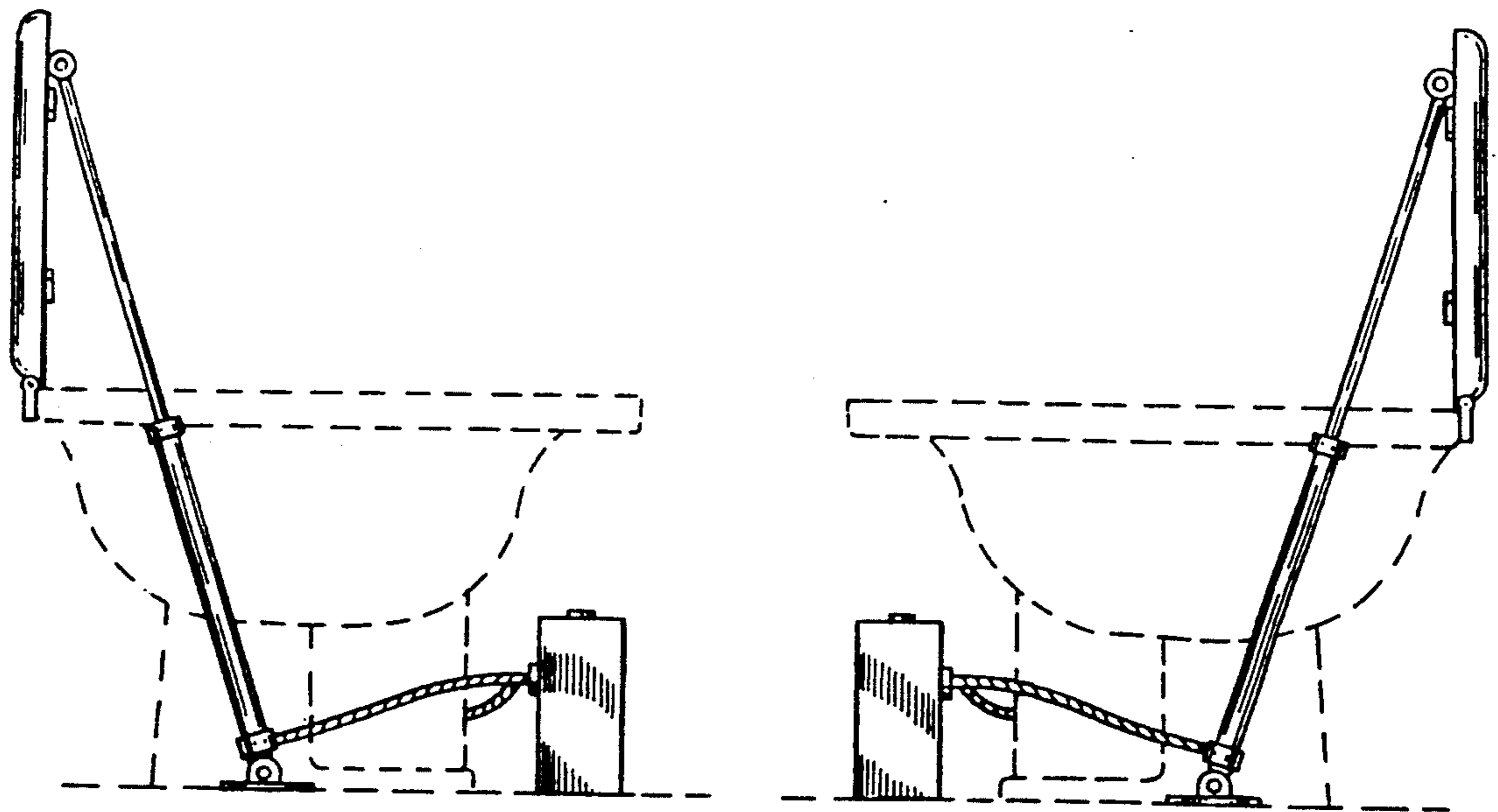
**U.S. PATENT DOCUMENTS**

D. 234,202	1/1975	Aldred .....	D23/311
D. 271,614	11/1983	Martin .....	D23/299
D. 278,178	3/1985	Loyd .....	D23/311
D. 287,616	1/1987	Marcomb .....	D23/311
D. 321,757	11/1991	Aldred et al. ....	D23/311
1,821,027	9/1931	Oya .	
3,055,016	9/1962	Kemp .....	4/251
3,060,458	10/1962	Burke .	
3,284,810	11/1966	Stokes .....	4/251



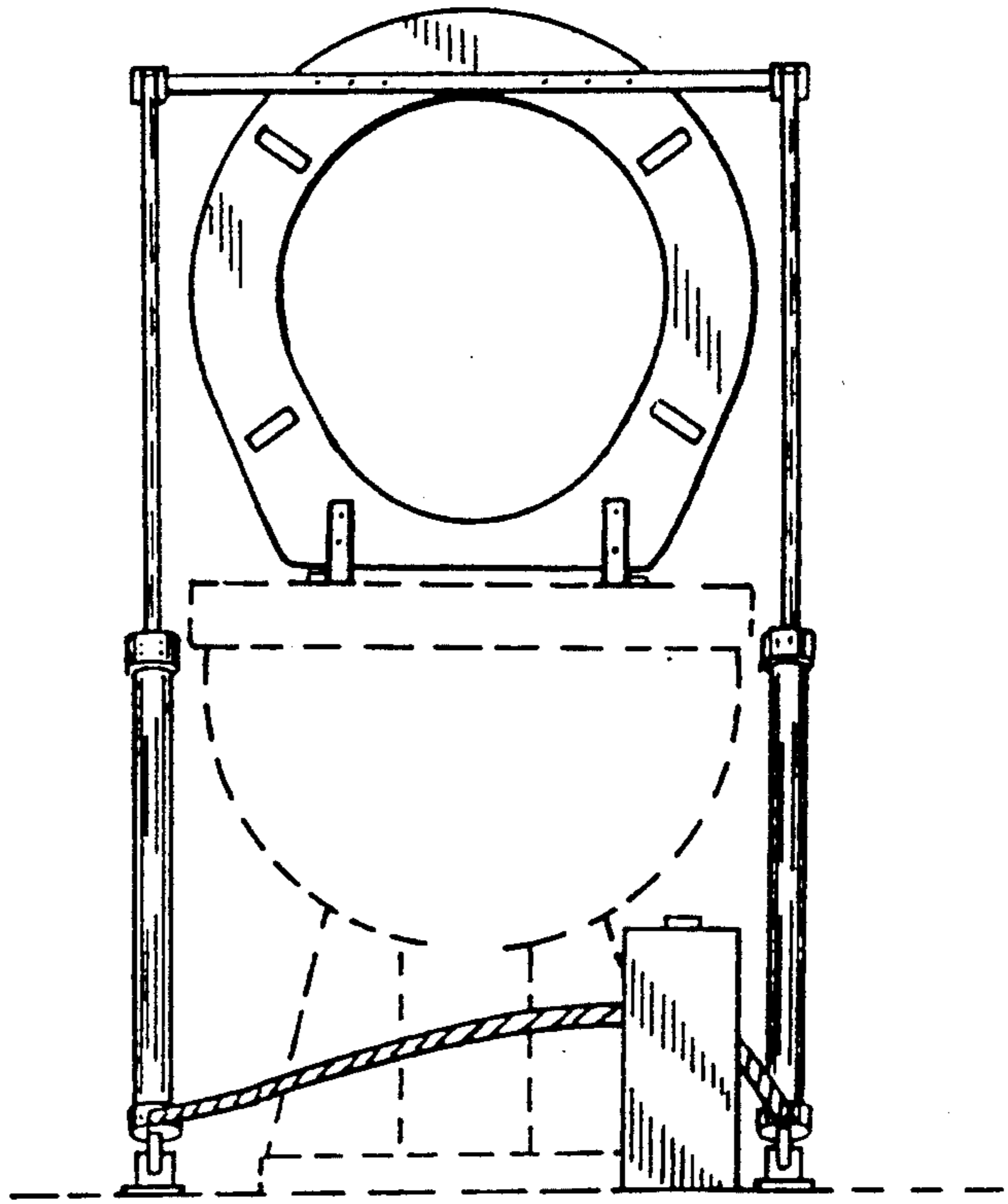


*Fig. 1.*

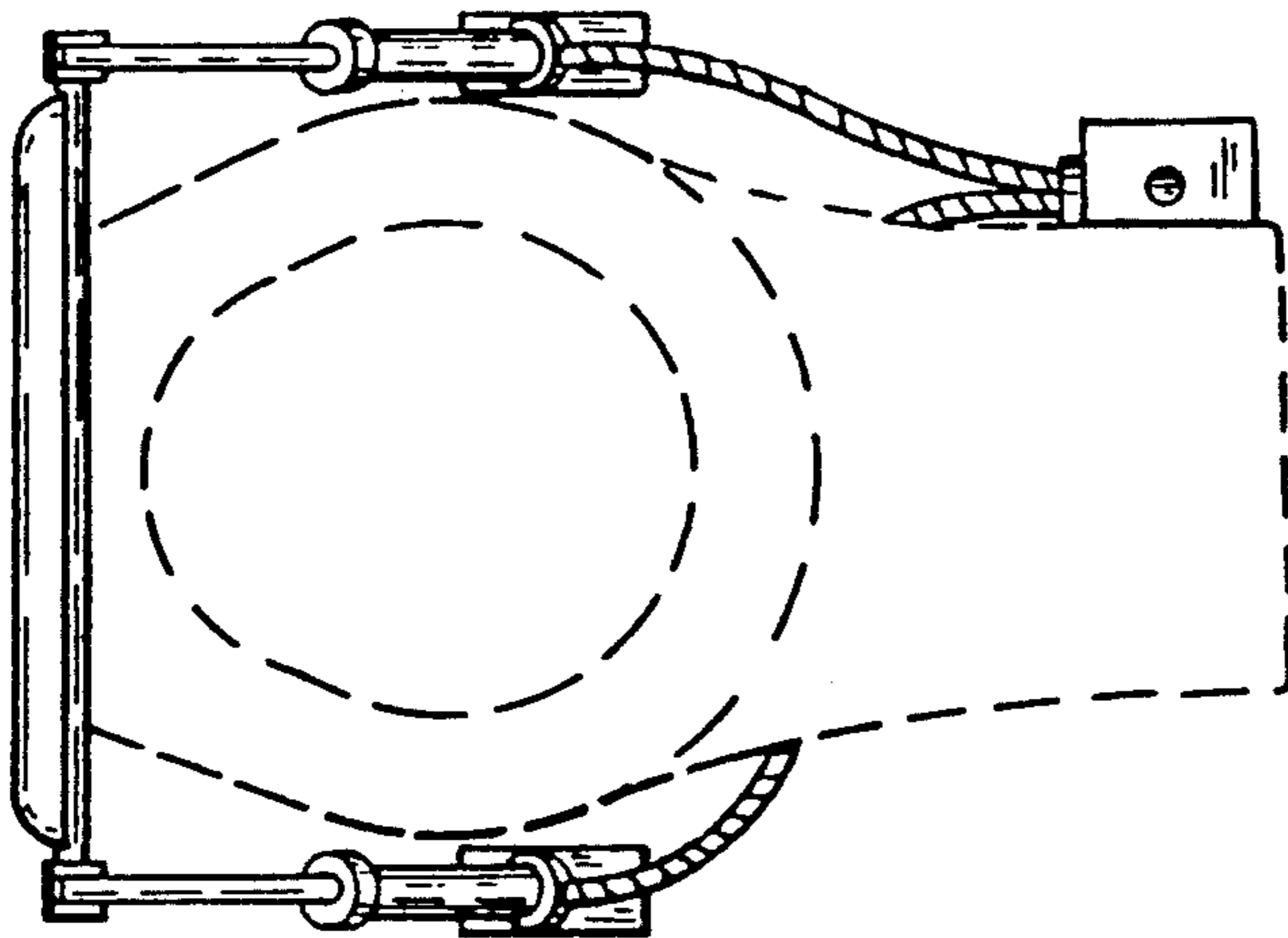


*Fig. 2.*

*Fig. 3.*



*Fig. 4.*



*Fig. 5.*