



US00D332303S

# United States Patent [19]

[11] Patent Number: Des. 332,303

Klose

[45] Date of Patent: \*\* Jan. 5, 1993

[54] **HAND-HELD SHOWER**

[75] Inventor: **Odo Klose**, Wuppertal, Fed. Rep. of Germany

[73] Assignee: **Friedrich Grohe Aktiengesellschaft**, Hemer, Fed. Rep. of Germany

[\*\*] Term: **14 Years**

[21] Appl. No.: **750,896**

[22] Filed: **Aug. 26, 1991**

[30] **Foreign Application Priority Data**

Feb. 25, 1991 [DE] Fed. Rep. of Germany ..... M91 01 317.8

[52] U.S. Cl. .... **D23/223**

[58] Field of Search ..... D23/213, 223-229; 239/276, 280, 281, 282-283, 288.5, 310, 443-449, 456-460, 525, 550-552, 556-559, 562-565, 567, 581.1, 568-569; 4/567-570, 599-603, 596, 615, 675-678

[56] **References Cited**

**U.S. PATENT DOCUMENTS**

D. 327,729	7/1992	Rogers	.....	D23/223
D. 328,634	8/1992	Ward	.....	D23/223
4,224,700	9/1980	Brog	.....	4/603
4,674,687	6/1987	Smith et al.	.....	239/525 X

*Primary Examiner*—Wallace R. Burke  
*Assistant Examiner*—M. H. Tung  
*Attorney, Agent, or Firm*—Herbert Dubno; Ronald Lianides

[57] **CLAIM**

The ornamental design for a hand-held shower, as shown and described.

**DESCRIPTION**

FIG. 1 is a front, right side, top perspective view of a hand held shower showing my new design;  
FIG. 2 is a left side elevational view thereof, the right side being a mirror image;  
FIG. 3 is a bottom plan view thereof;  
FIG. 4 is a top plan view thereof;  
FIG. 5 is a rear elevational view thereof; and,  
FIG. 6 is a front elevational view thereof.

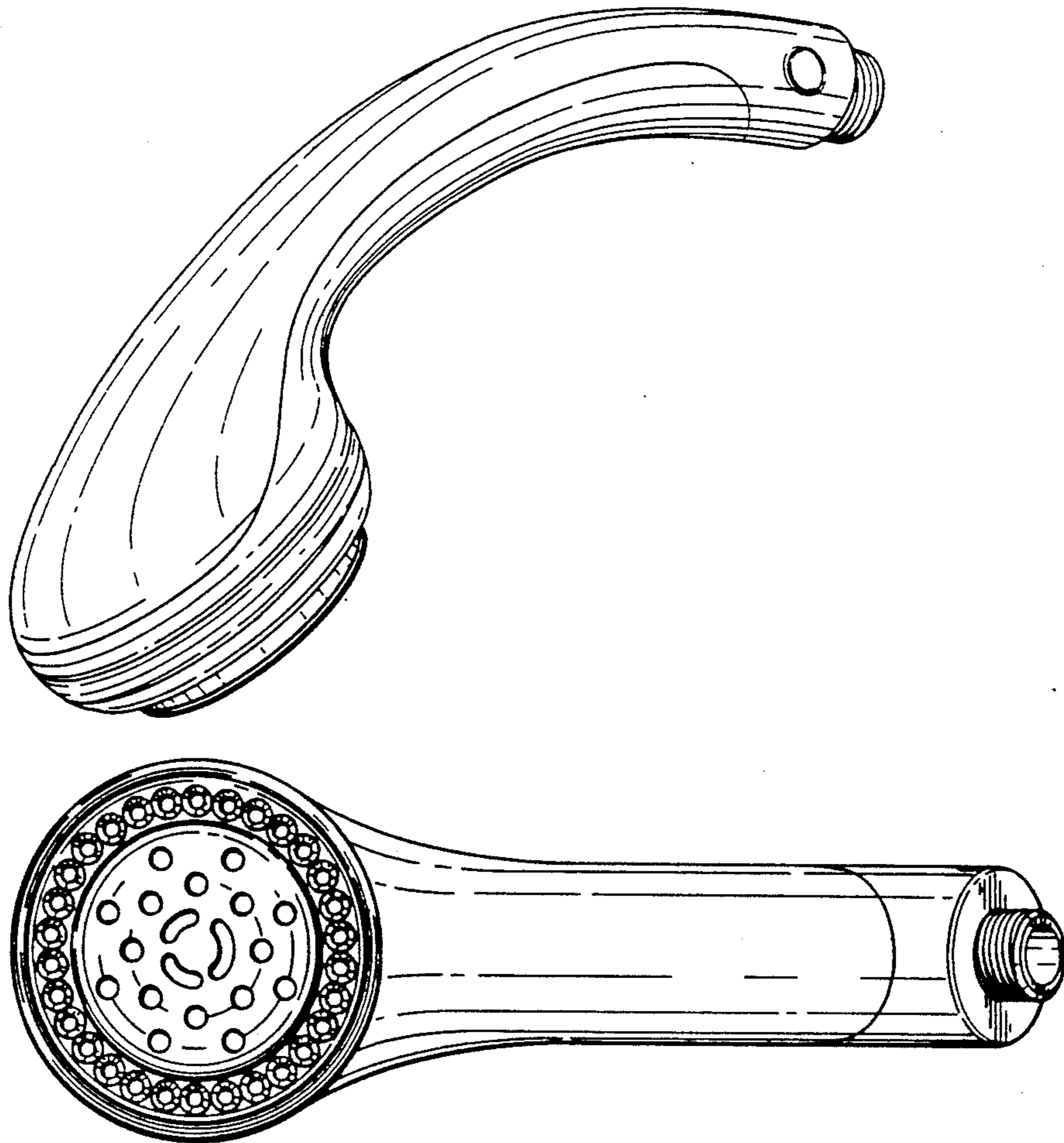


FIG. 1

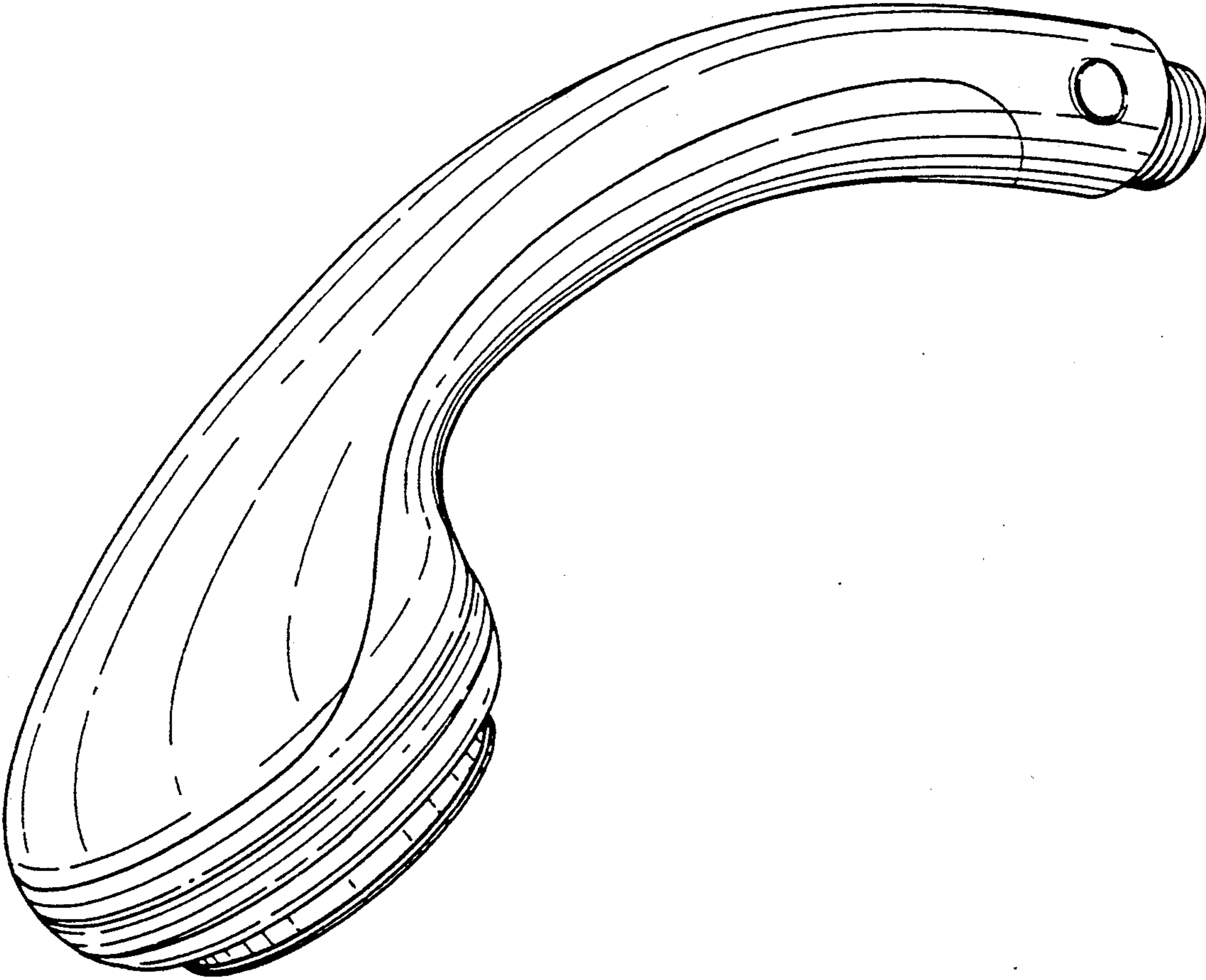


FIG. 2

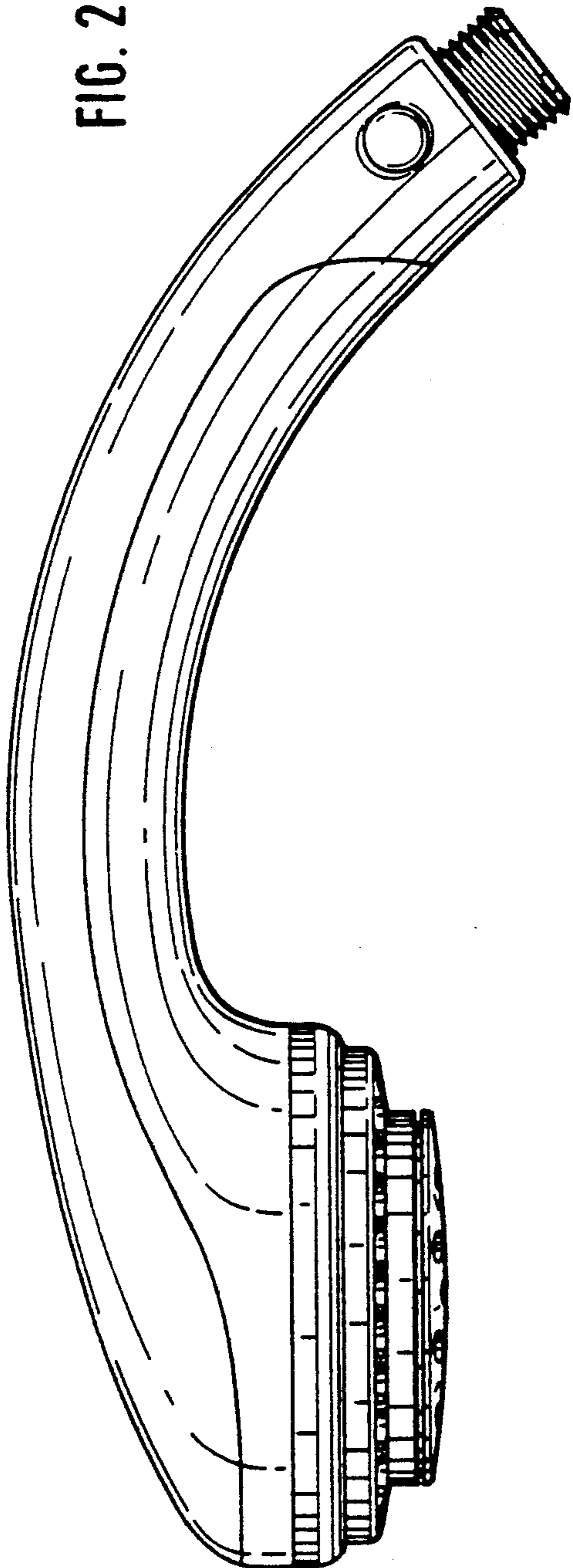
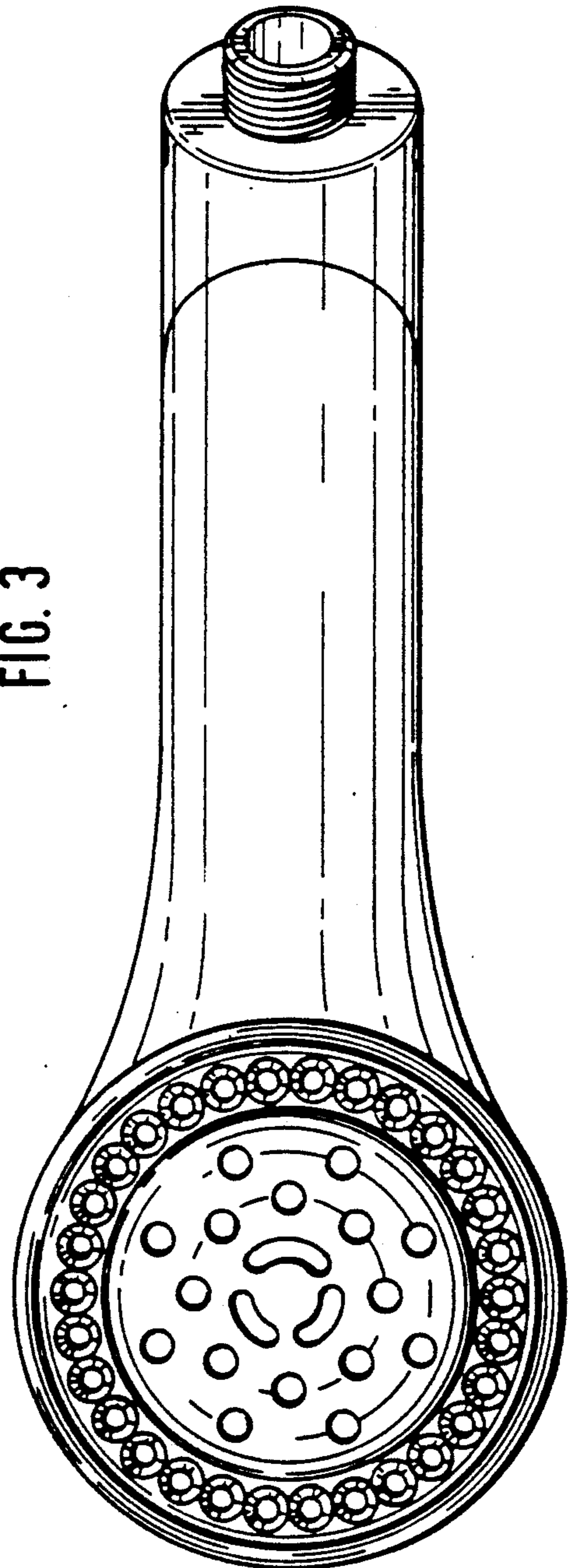


FIG. 3



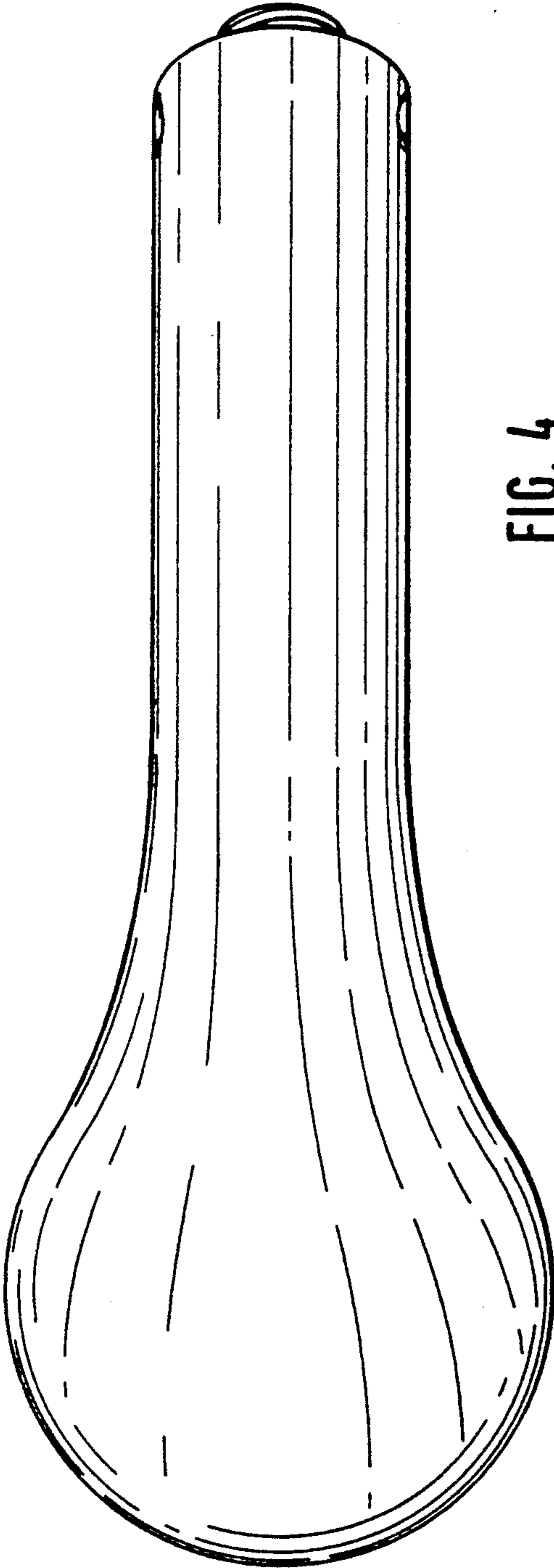


FIG. 4

FIG. 5

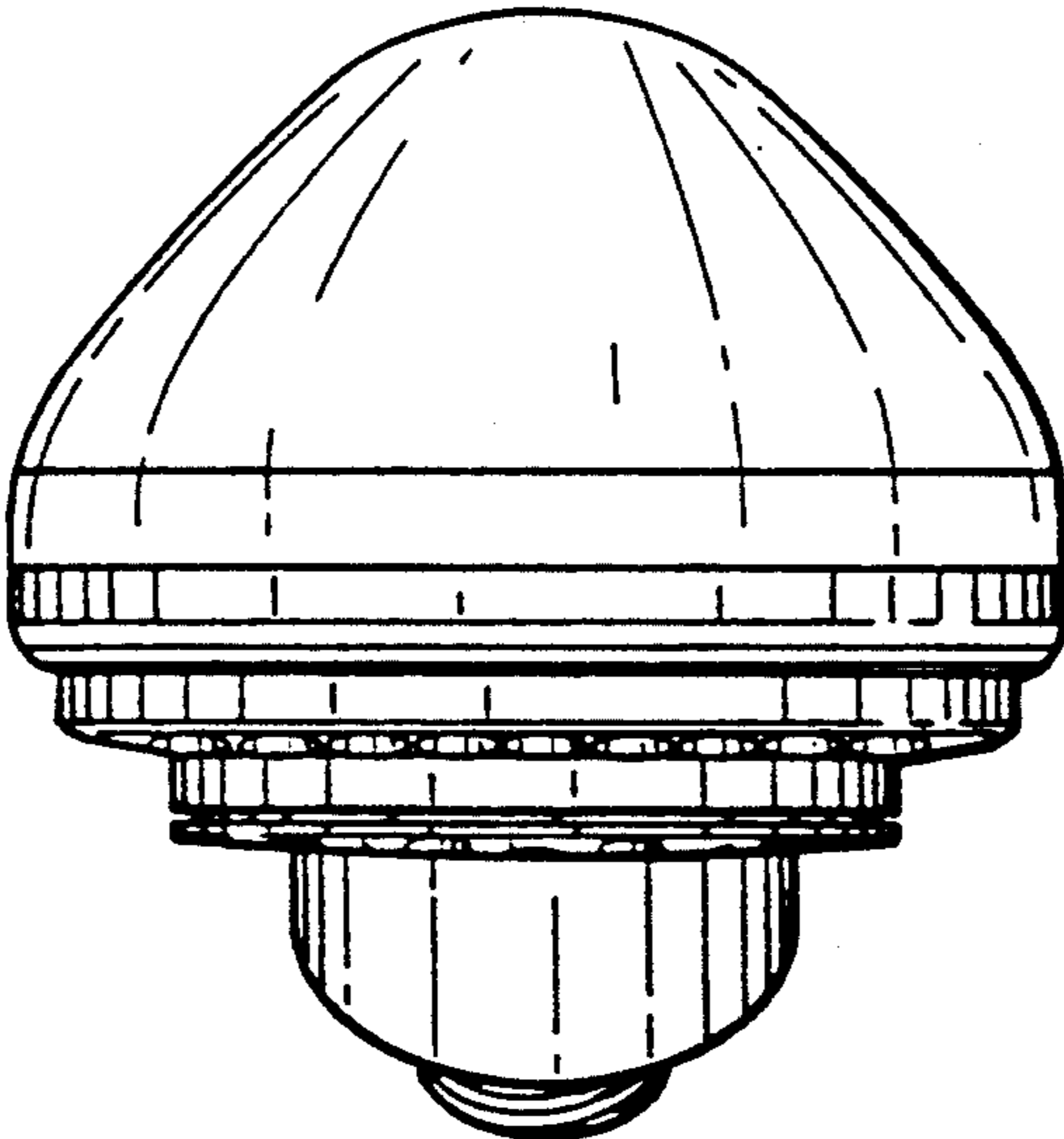
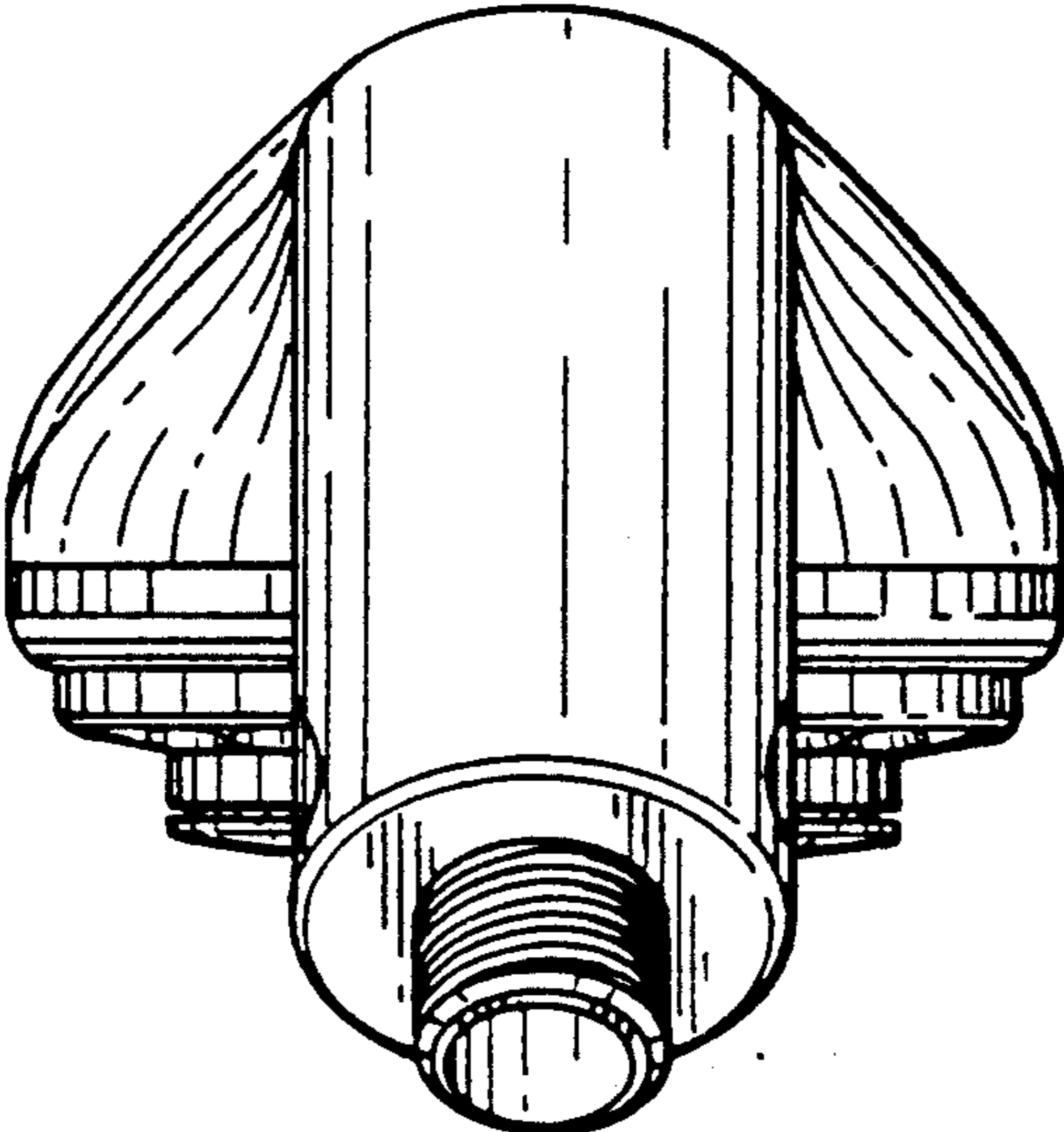


FIG. 6