



US00D332301S

United States Patent [19]

Adeberg

[11] Patent Number: **Des. 332,301**

[45] Date of Patent: **** Jan. 5, 1993**

[54] **ULTRA-VIOLET LAMP HOUSING FOR A WATER PURIFIER**

[75] Inventor: **Anders J. Adeberg, Stockholm, Sweden**

[73] Assignee: **Aktiebolaget Electrolux, Stockholm, Sweden**

[**] Term: **14 Years**

[21] Appl. No.: **585,357**

[22] Filed: **Sep. 20, 1990**

[30] **Foreign Application Priority Data**

Mar. 22, 1990 [SE] Sweden 90-0669

[52] U.S. Cl. **D23/207**

[58] Field of Search 362/217, 218; D26/3; D23/207, 209; 210/169, 192, 259, 282; 422/24

[56] **References Cited**

U.S. PATENT DOCUMENTS

D. 215,000 8/1969 Young D23/207

D. 252,524 7/1979 Lewis D23/207

3,462,597 8/1969 Young 422/24 X

4,070,570	1/1978	Wetmore et al.	362/218
4,141,686	2/1979	Lewis	250/436
4,264,946	4/1981	Faux, Sr. et al.	362/217
4,282,564	8/1981	McJunkin, Jr. et al.	362/217
4,357,649	11/1982	La Croix	362/217
4,467,206	8/1984	Taylor et al.	250/435
4,798,702	1/1989	Tucker	422/24

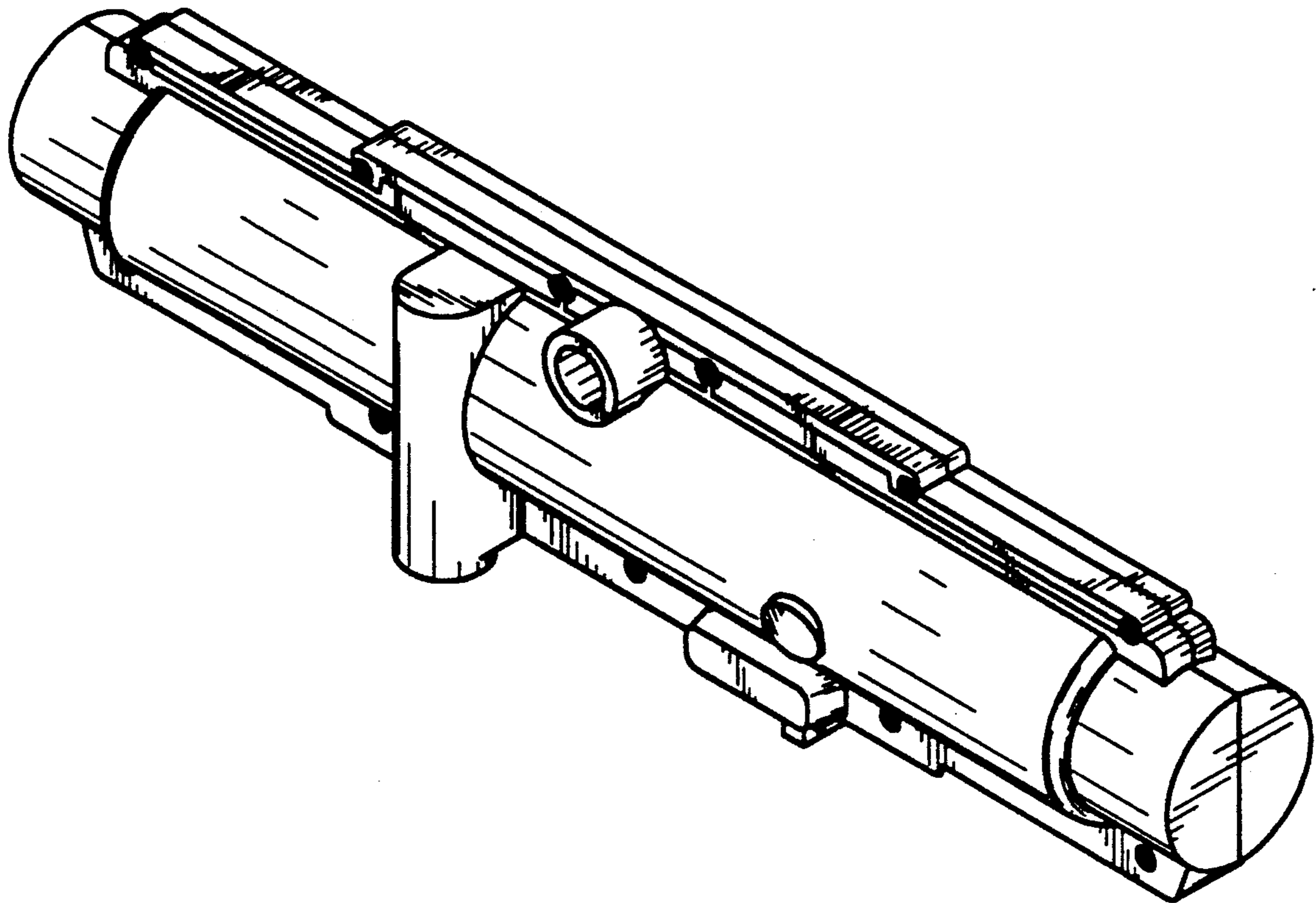
Primary Examiner—Susan J. Lucas
Attorney, Agent, or Firm—Pearne, Gordon, McCoy & Granger

[57] **CLAIM**

The ornamental design for an ultra-violet lamp housing for a water purifier, as shown and described.

DESCRIPTION

FIG. 1 is a rear elevational view of an ultra-violet lamp housing for a water purifier showing my new design; FIG. 2 is a front elevational view thereof; FIG. 3 is a front perspective view thereof; FIG. 4 is a top plan view thereof; FIG. 5 is a bottom plan view thereof; FIG. 6 is a left side elevational view thereof; and, FIG. 7 is a right side elevational view thereof.



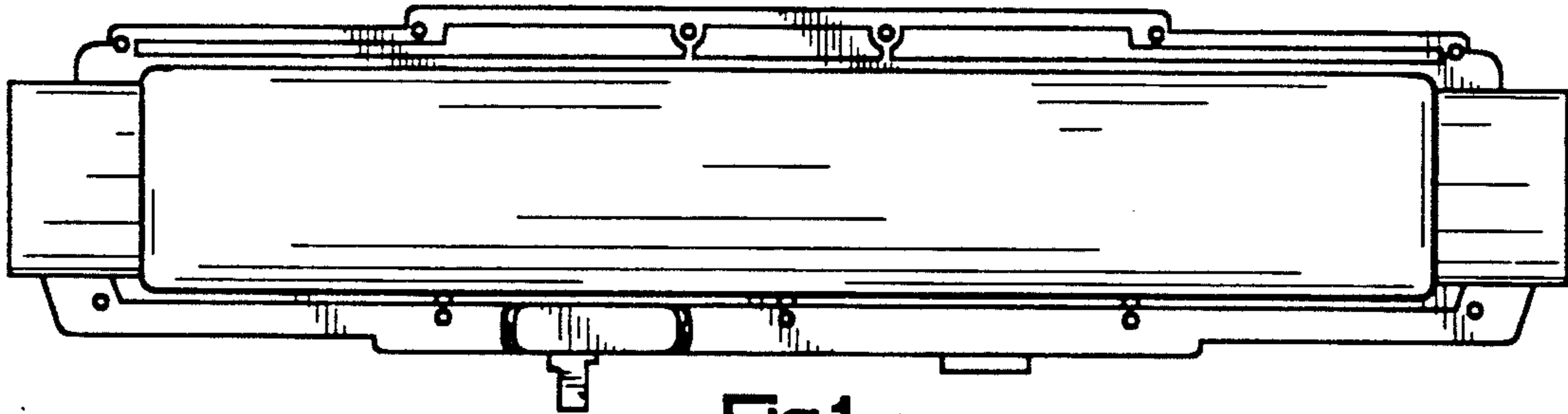


Fig.1

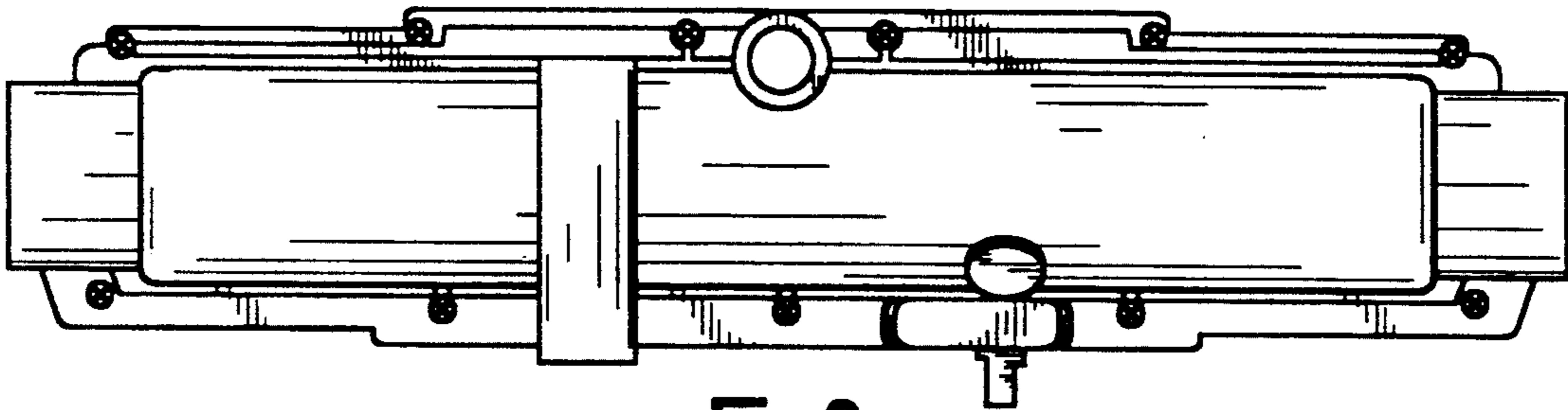


Fig.2

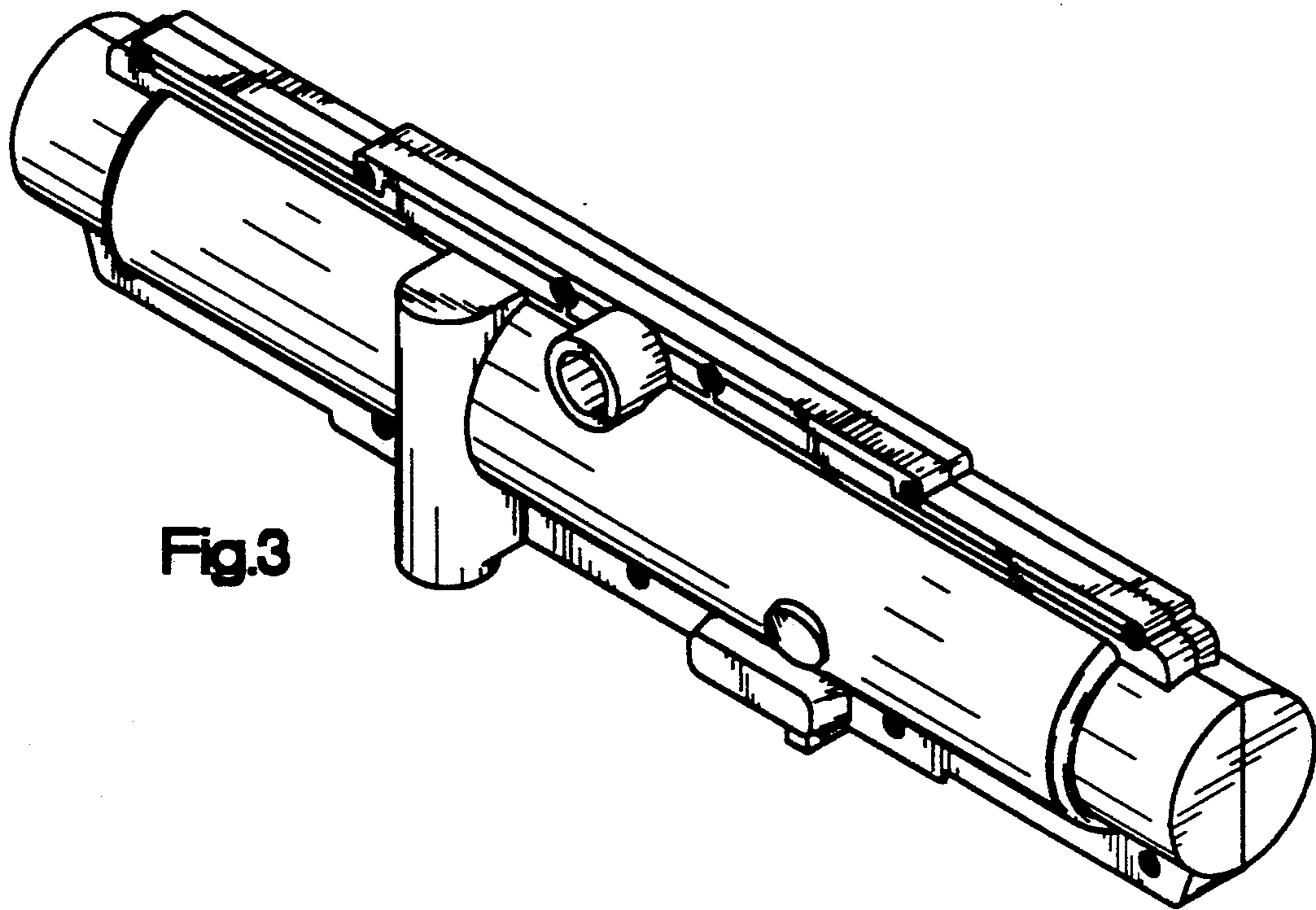


Fig.3

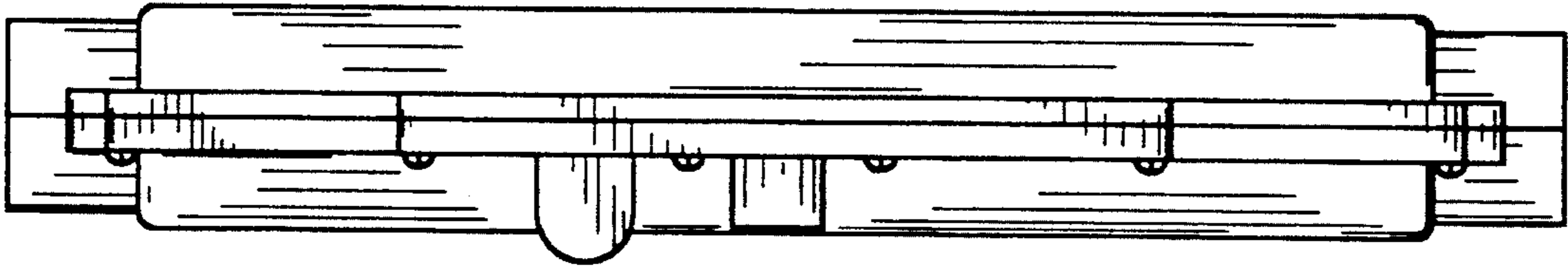


Fig.4

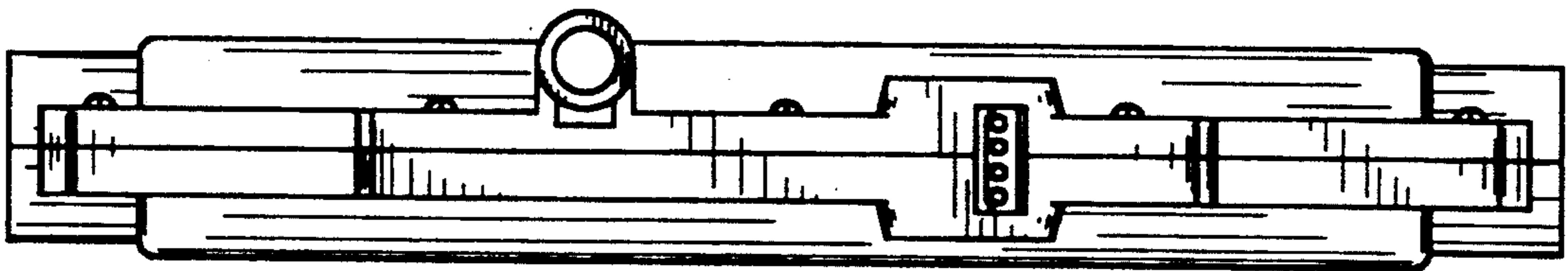


Fig.5

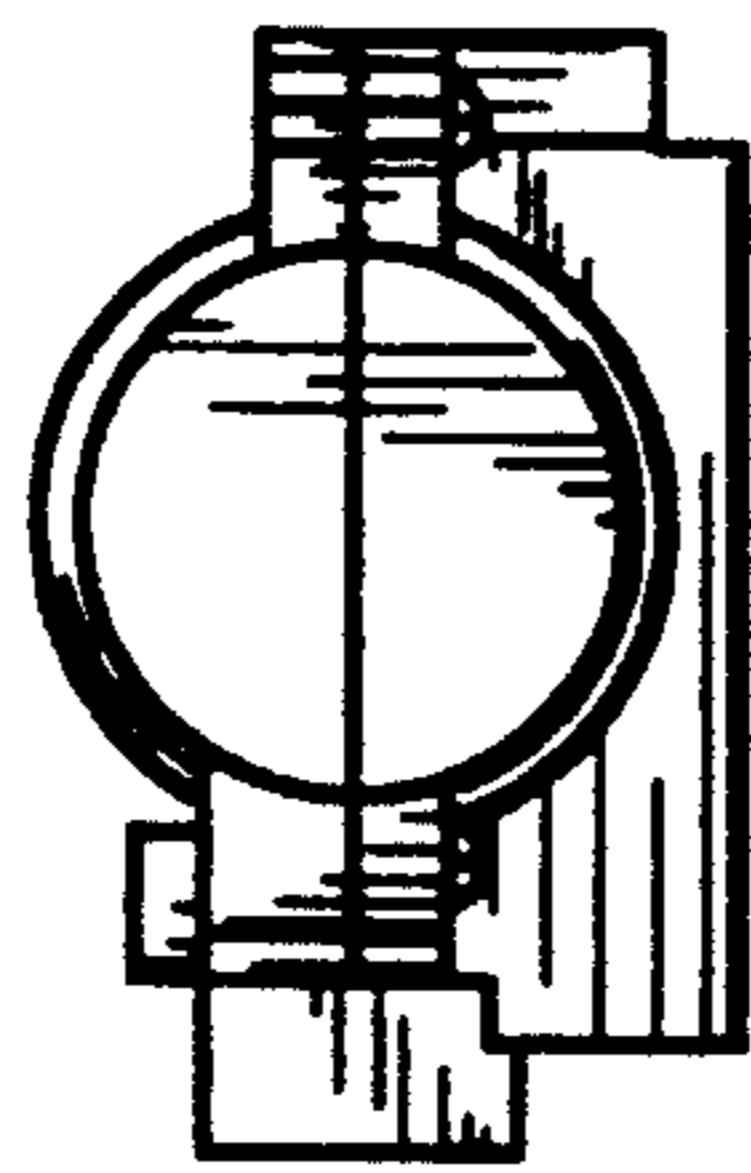


Fig.6

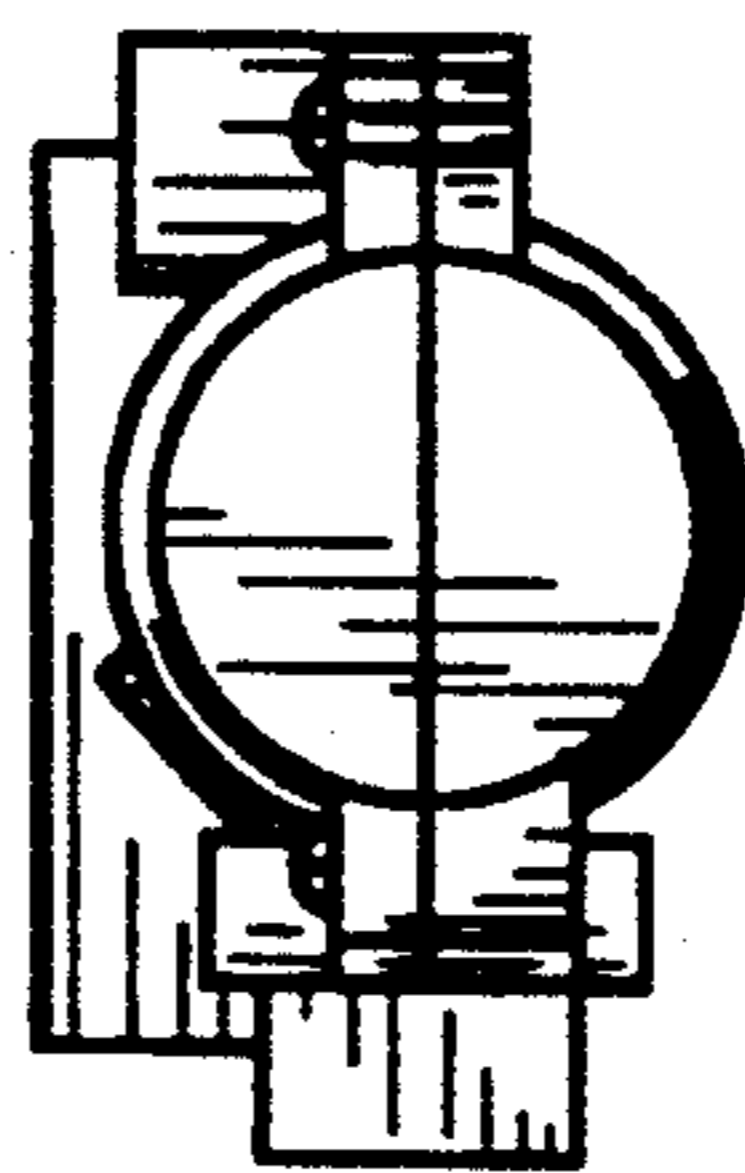


Fig.7