



US00D332299S

United States Patent [19]

[11] Patent Number: Des. 332,299

Dryna et al.

[45] Date of Patent: ** Jan. 5, 1993

[54] **COMBINED FISHING ROD HOLDER AND TROLLING BOARD**

[76] Inventors: Daniel J. Dryna, R.D. 4, Box 124, Evans City, Pa. 16033; Douglas M. Hieber, 2271 Ferguson Rd., Allison Park, Pa. 15101; William F. McCann, Jr., 5142 Meadowridge La., Gibsonsia, Pa. 15044

[**] Term: 14 Years

[21] Appl. No.: 548,770

[22] Filed: Jul. 6, 1990

[52] U.S. Cl. D22/147

[58] Field of Search D22/147; 43/21.2, 15, 43/16, 17; 248/512, 515, 516, 538, 539

[56] **References Cited**

U.S. PATENT DOCUMENTS

| | | | |
|------------|---------|------------------|-----------|
| D. 293,359 | 12/1987 | Gust et al. | D22/147 |
| 2,540,584 | 2/1951 | Jaycox | 224/922 X |
| 3,293,789 | 12/1966 | Pack | D22/147 X |
| 4,202,125 | 5/1980 | Kovacs | 43/21.2 X |
| 5,054,737 | 10/1991 | DeLancey | D22/147 X |

Primary Examiner—A. Hugo Word
Assistant Examiner—Doris V. Coles

Attorney, Agent, or Firm—Richard C. Litman

[57] **CLAIM**

The ornamental design for a combined fishing rod holder and trolling board, as shown and described.

DESCRIPTION

FIG. 1 is the front, left side and top perspective view of a combined fishing rod holder and trolling board showing our new design;

FIG. 2 is a top plan view thereof;

FIG. 3 is a bottom plan thereof;

FIG. 4 is a front elevational view thereof;

FIG. 5 is a rear elevational view thereof;

FIG. 6 is a right side elevational view thereof;

FIG. 7 is a left side elevational view thereof;

FIG. 8 is the front, right side and top perspective view of the second embodiment thereof;

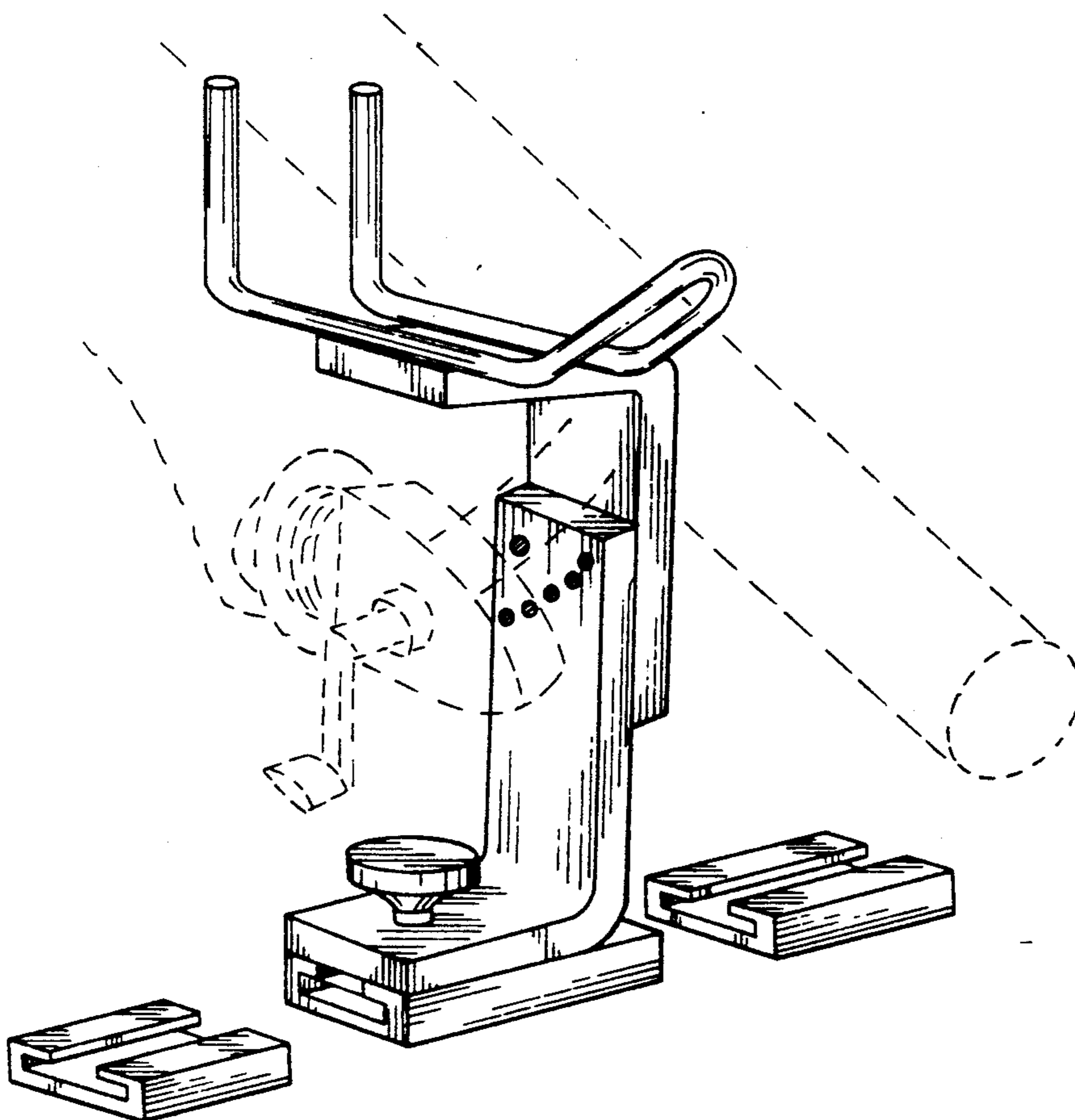
FIG. 9 is a front elevational view thereof;

FIG. 10 is a rear elevational view thereof; and,

FIG. 11 is a top plan view thereof.

The broken line showing of a rod and reel in FIG. 1 is for illustrative purposes only and forms no part of the claimed design.

The base ends of claimed design as seen in FIG. 1 have been omitted in all other views for the convenience of illustration.



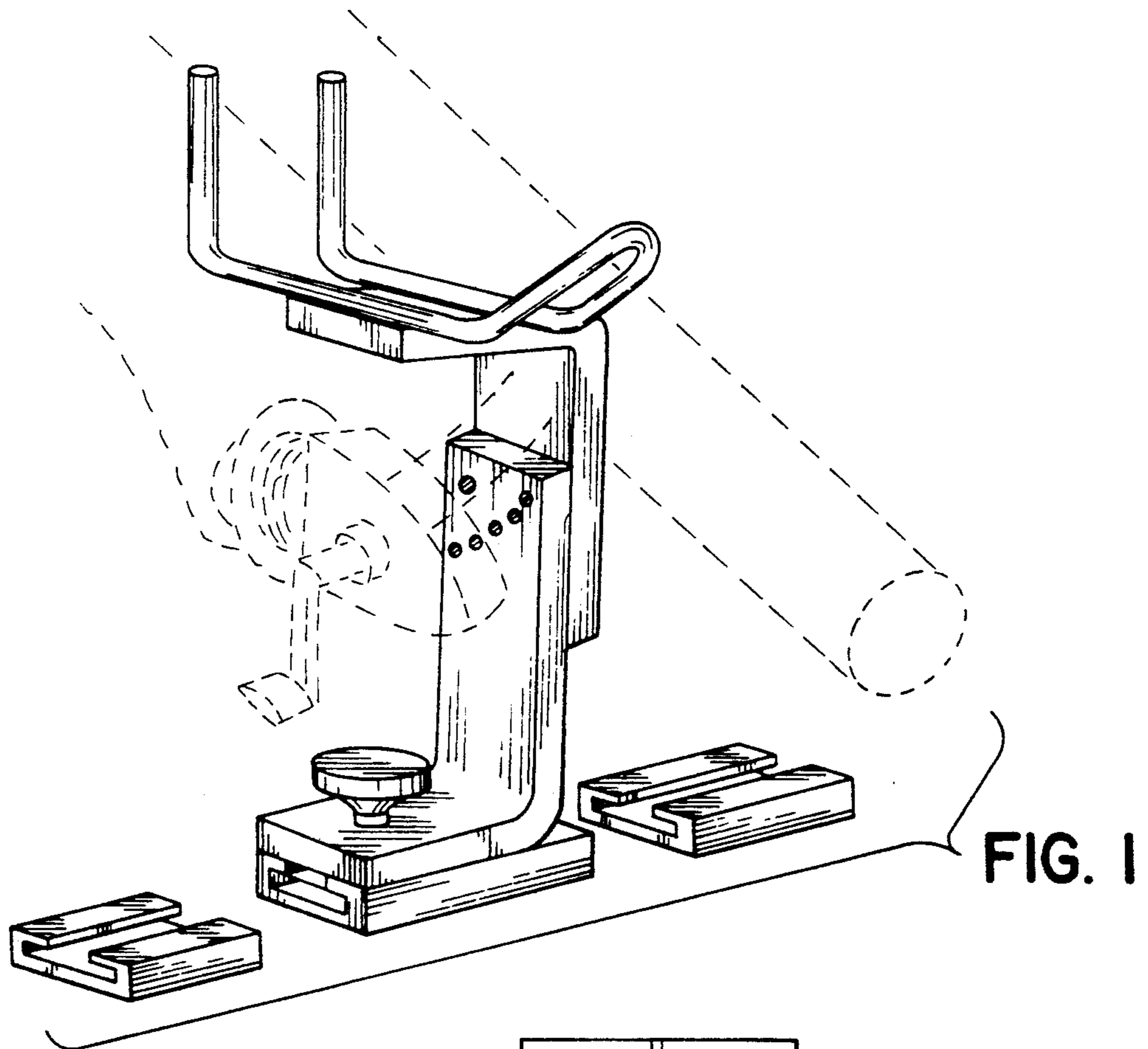


FIG. 2

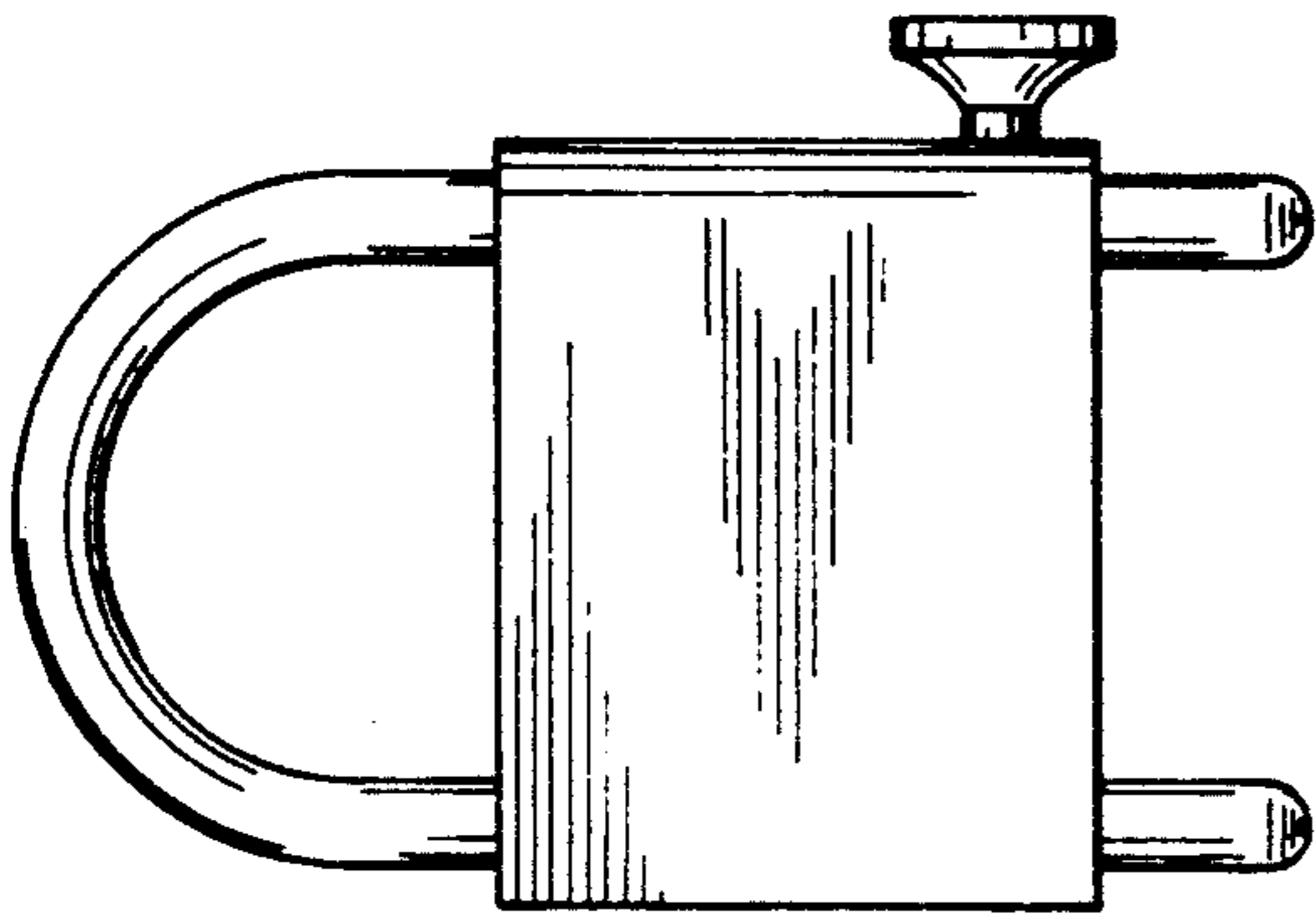
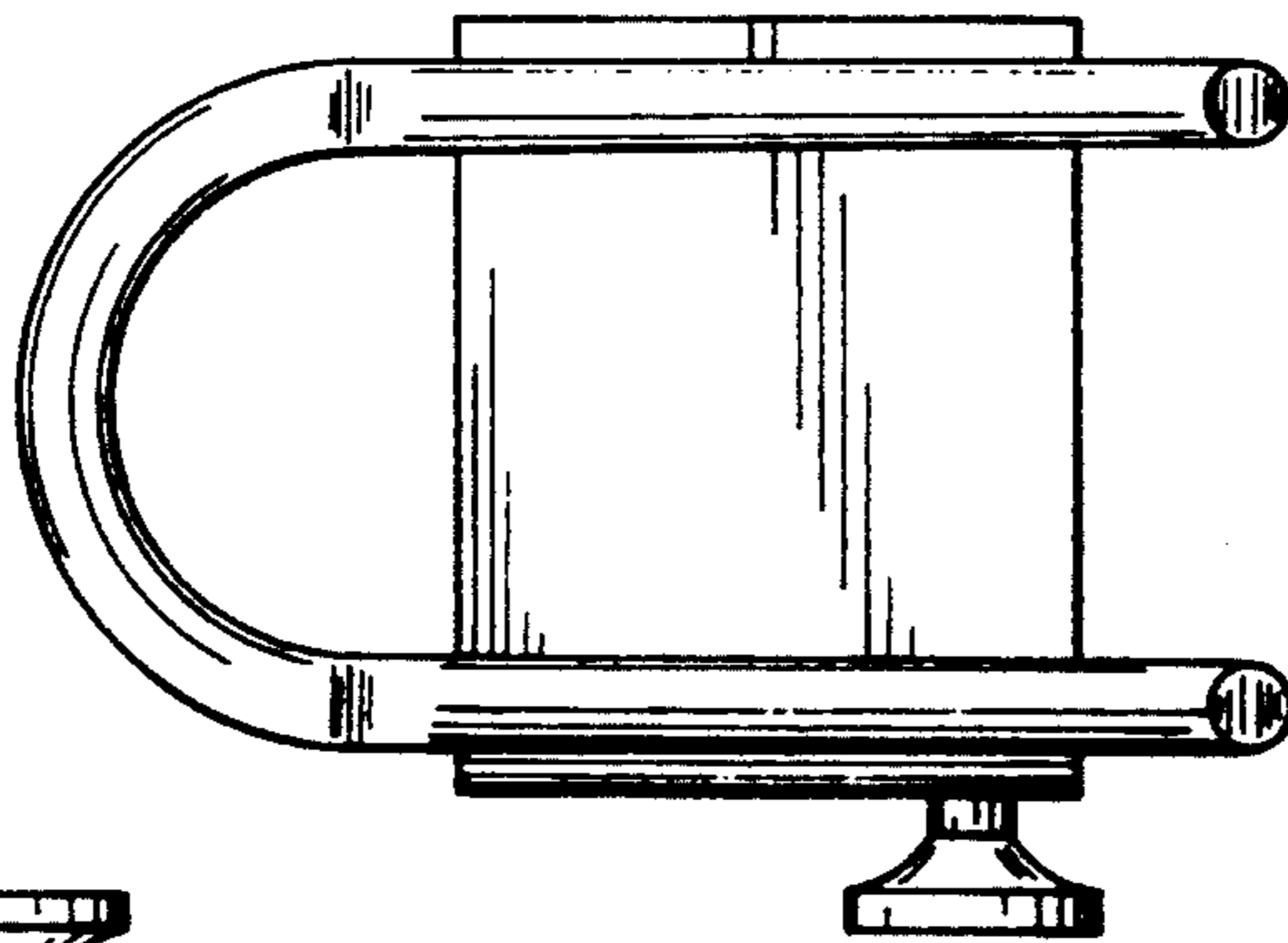
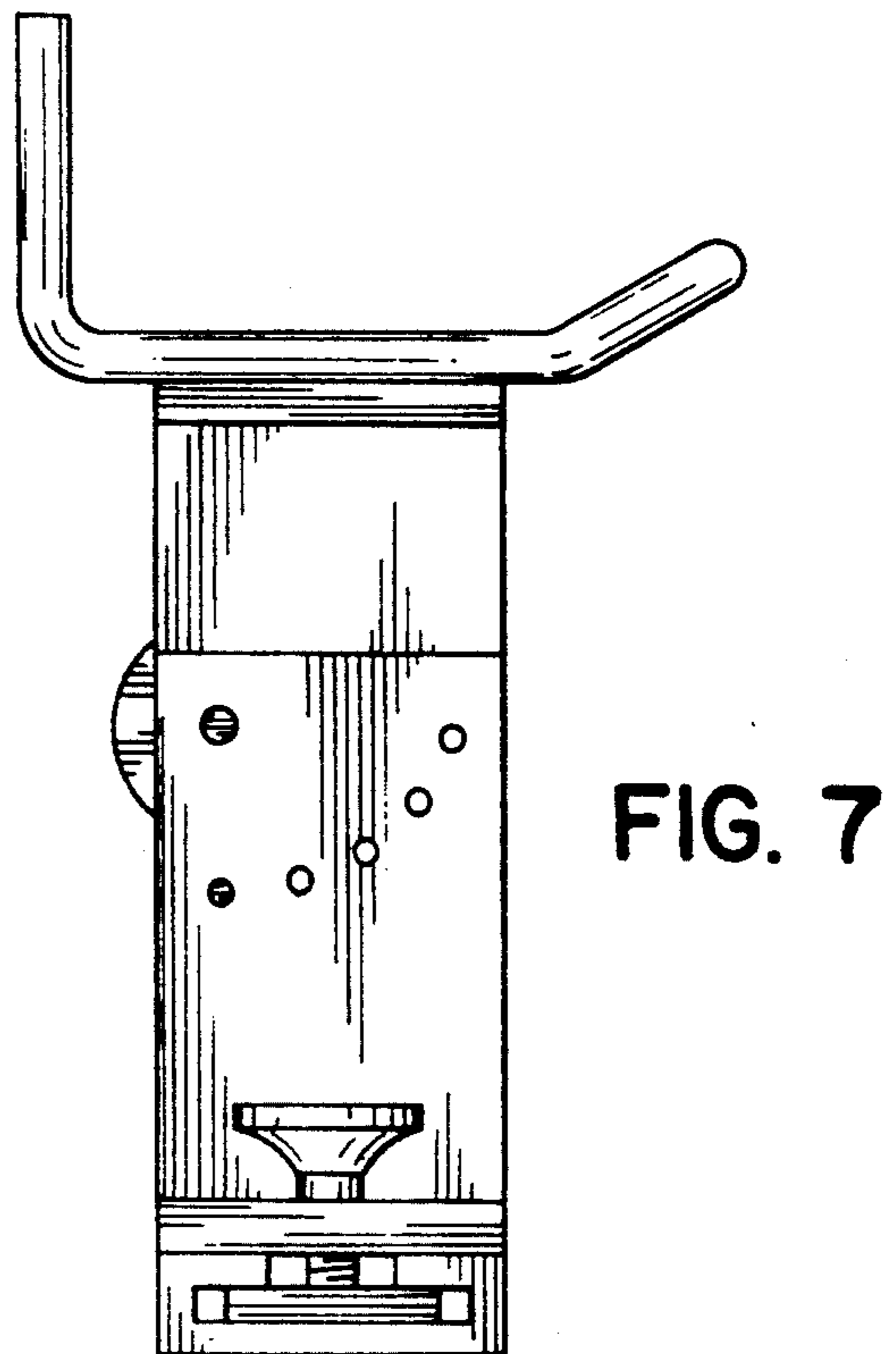
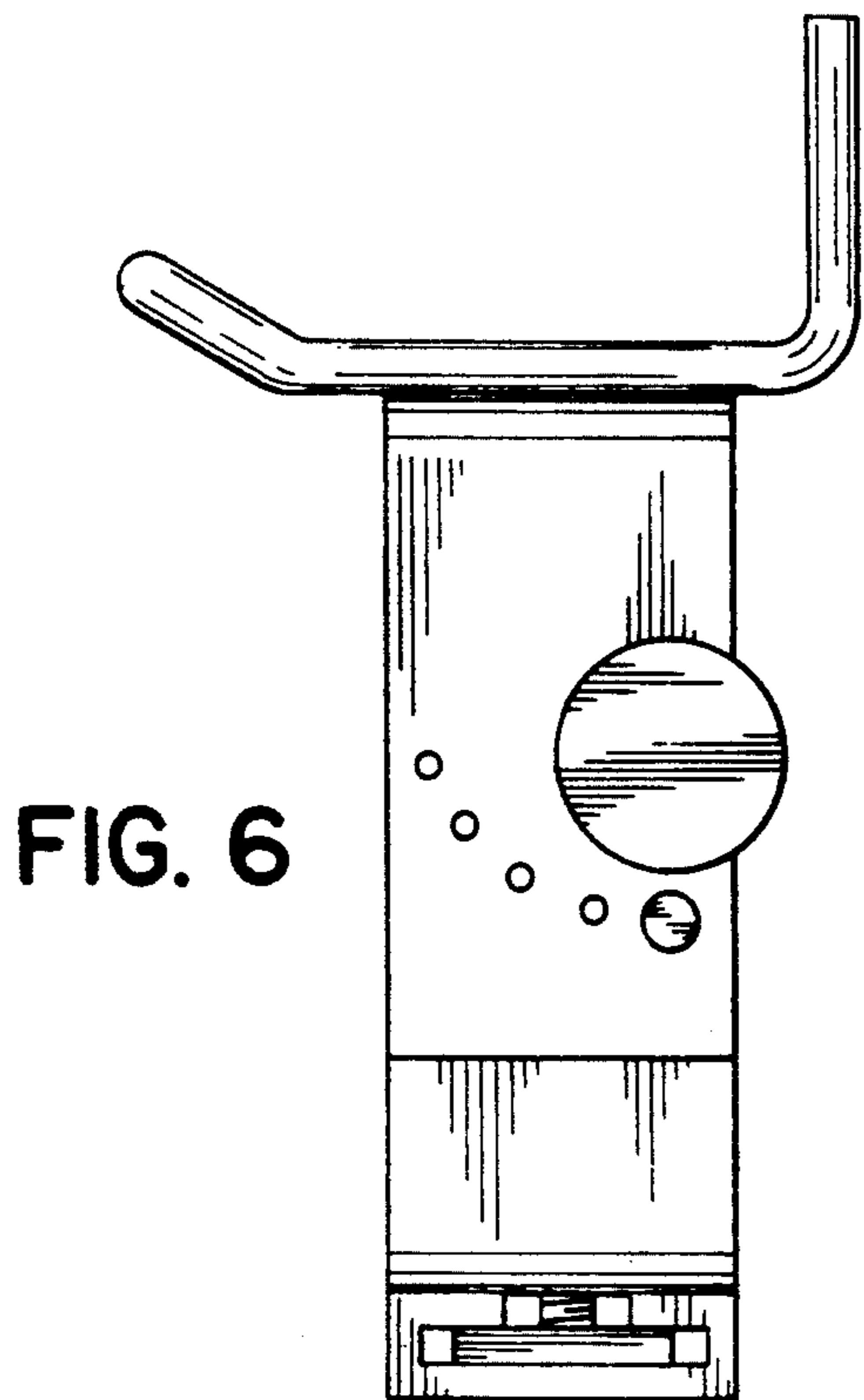
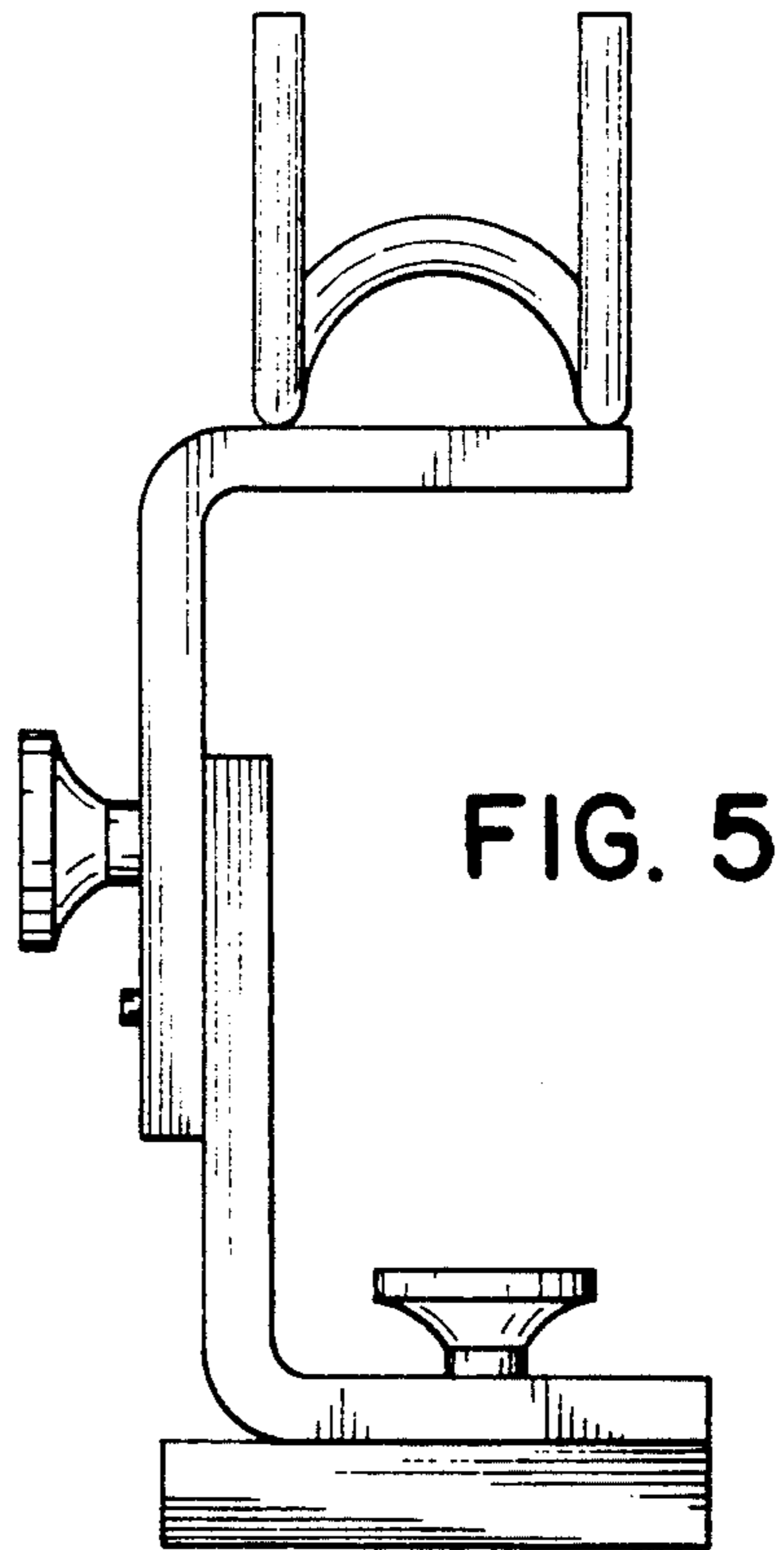
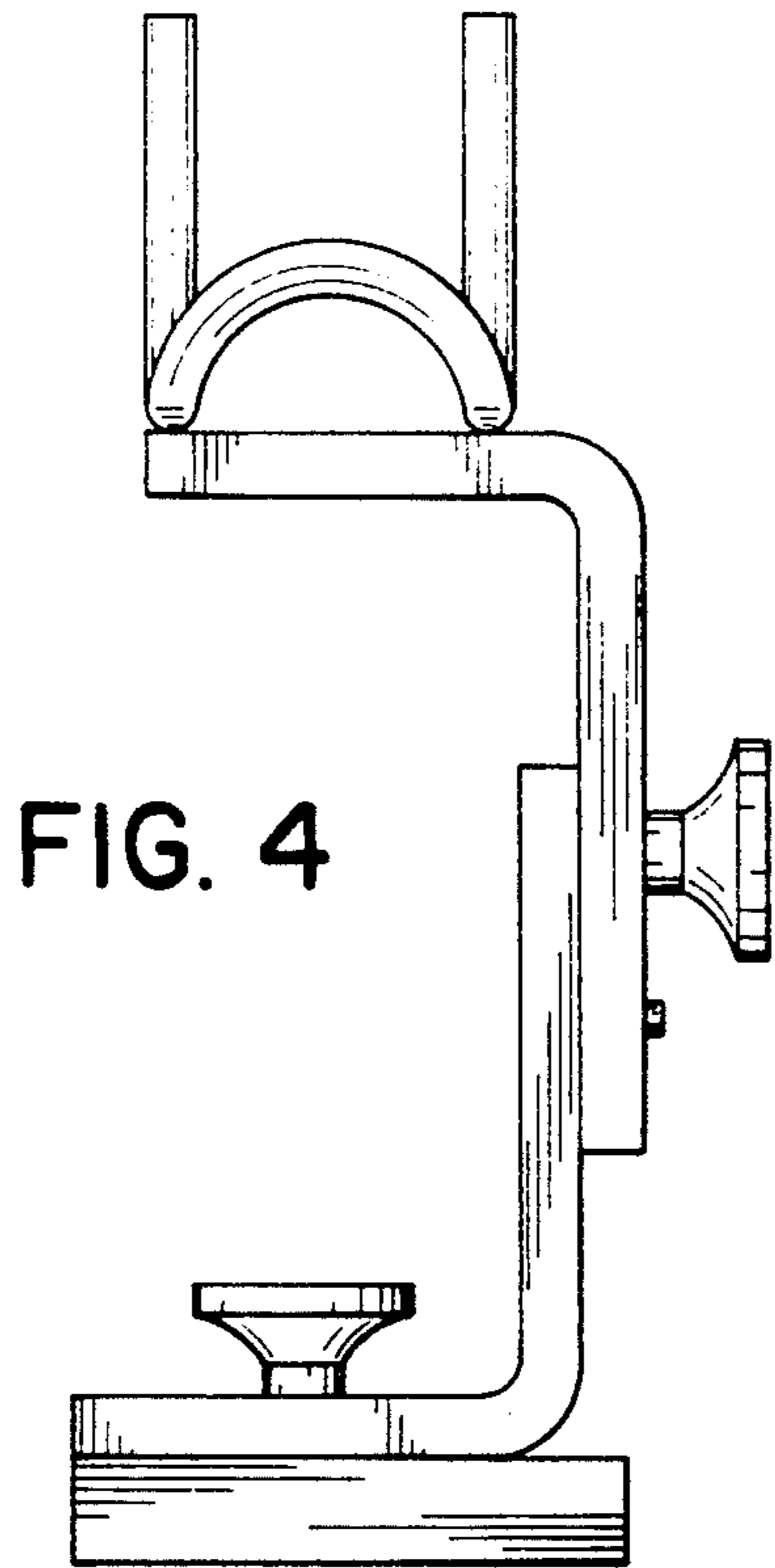


FIG. 3



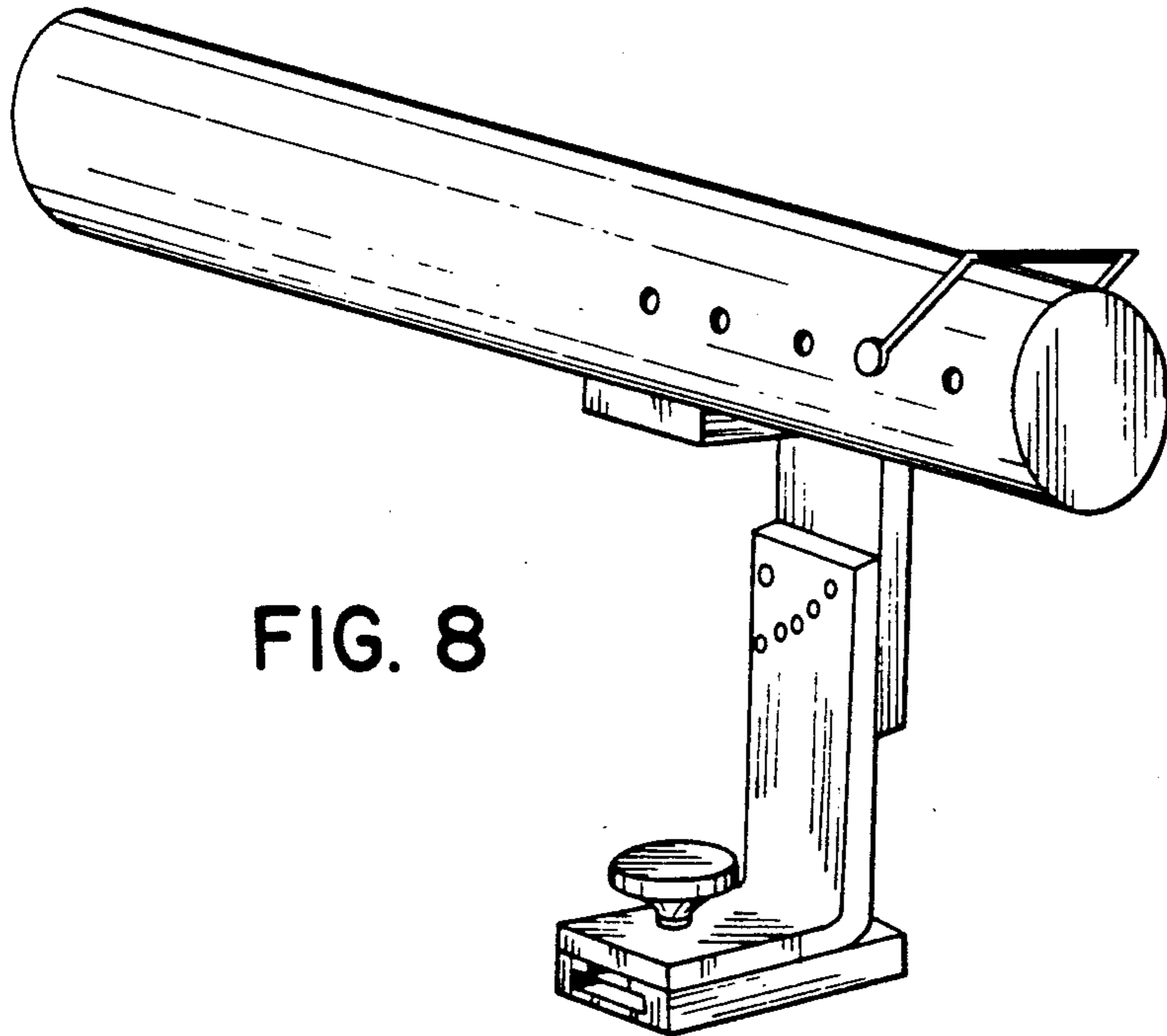


FIG. 8

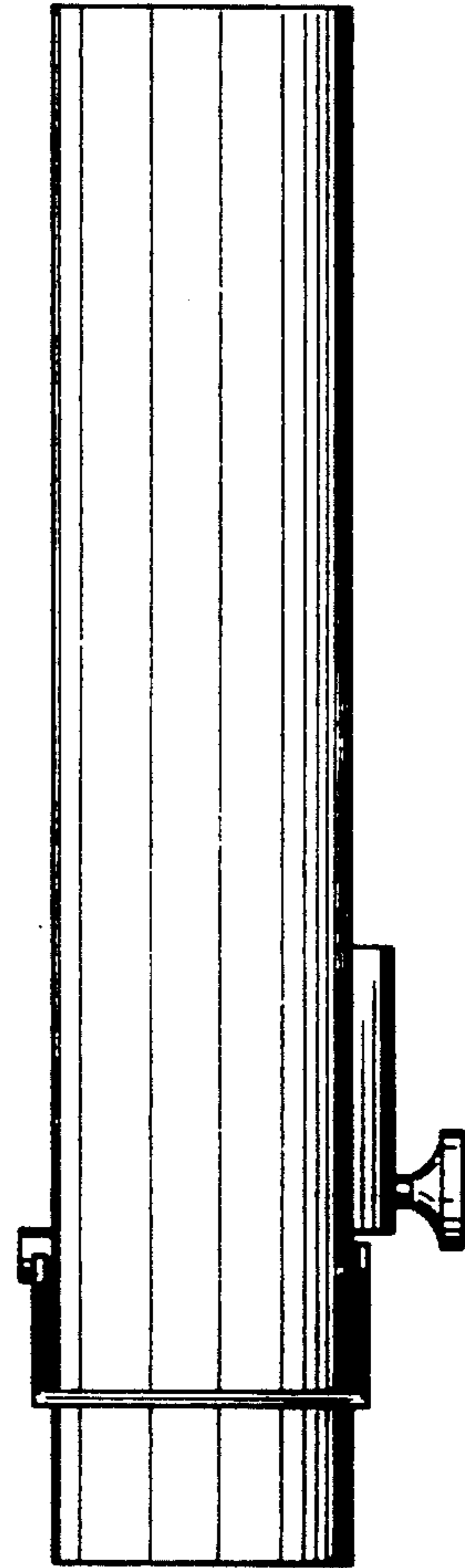


FIG. 11

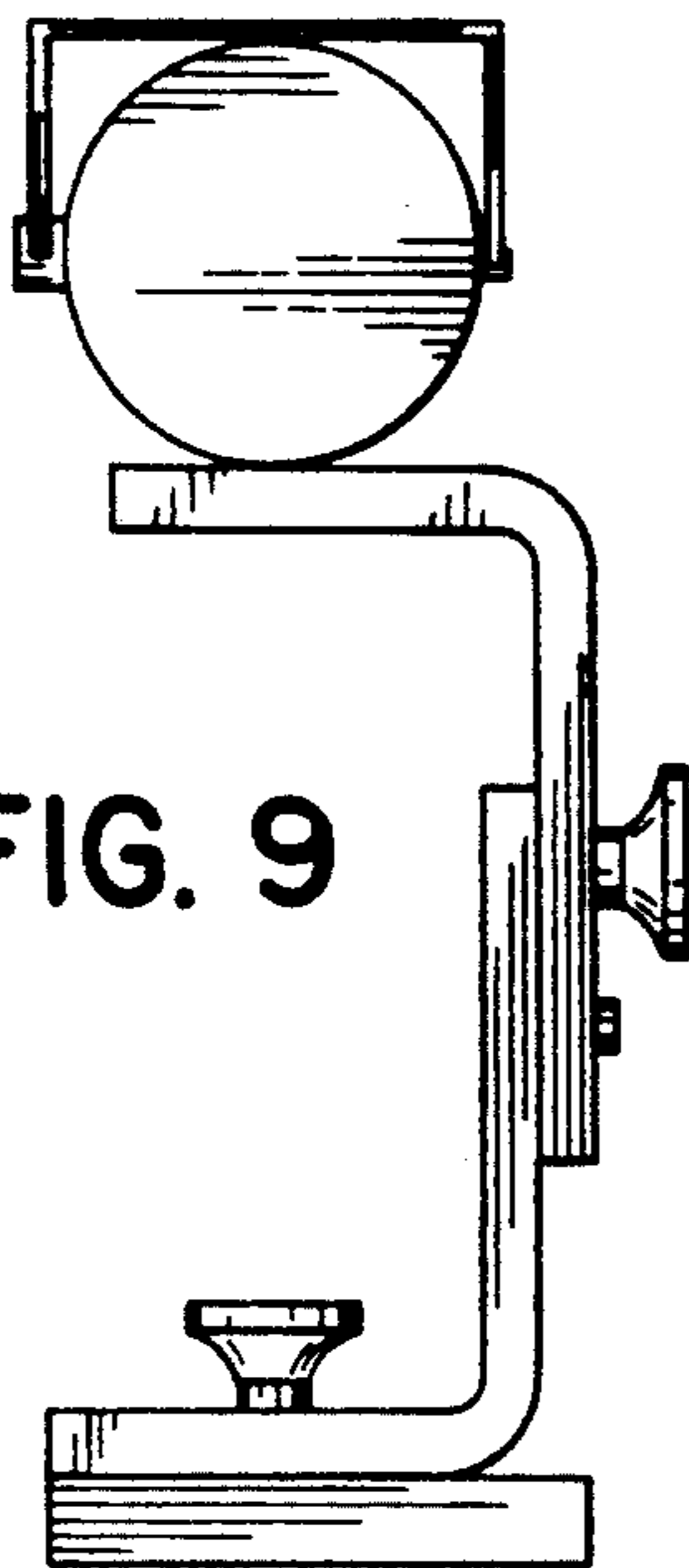


FIG. 9

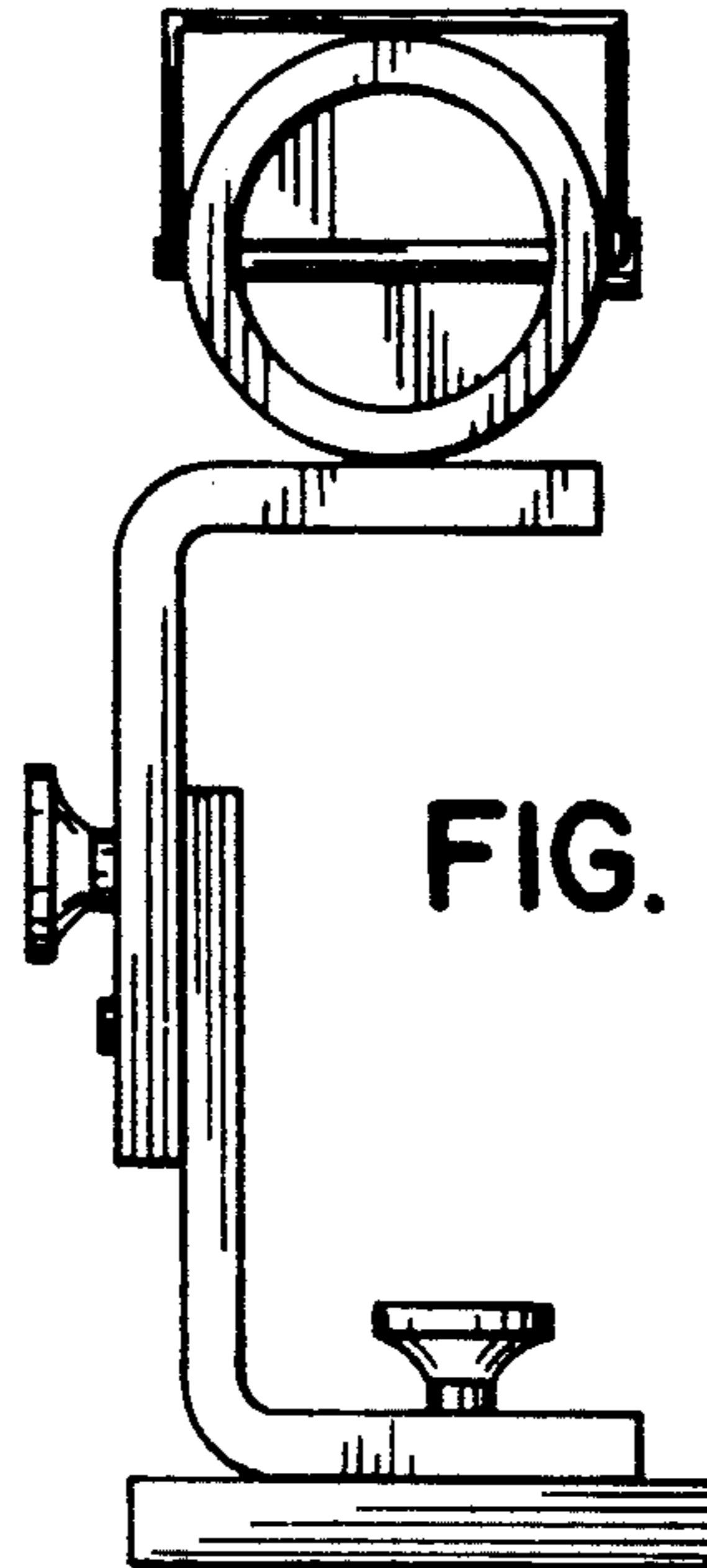


FIG. 10