



US00D332298S

# United States Patent [19]

[11] Patent Number: **Des. 332,298**

Logsdon

[45] Date of Patent: **\*\* Jan. 5, 1993**

[54] **LINE DESPOOLER**

4,780,982	11/1988	Black et al.	242/137 X
4,934,627	6/1990	MacNeil	242/129.8 X
4,953,810	9/1990	Stadig	242/129.8 X

[76] Inventor: **Hartley T. Logsdon**, 965 Churchill Rd., West Palm Beach, Fla. 33405

**OTHER PUBLICATIONS**

[\*\*] Term: **14 Years**

"Bass Pro Shop" Catalogue, p. 32, item S480-520, Line-In-Reeler line winder, published prior to Apr. 10, 1990.

[21] Appl. No.: **594,227**

[22] Filed: **Oct. 4, 1990**

*Primary Examiner*—A. Hugo Word  
*Assistant Examiner*—Doris V. Coles  
*Attorney, Agent, or Firm*—Townsend and Townsend

[52] U.S. Cl. .... **D22/134**

[58] Field of Search ..... D22/134, 149, 199;  
43/25, 54.1; 242/128, 129.8, 129.5, 106, 137,  
156.1, 125.3

[57] **CLAIM**

The ornamental design for a line despooler, as shown and described.

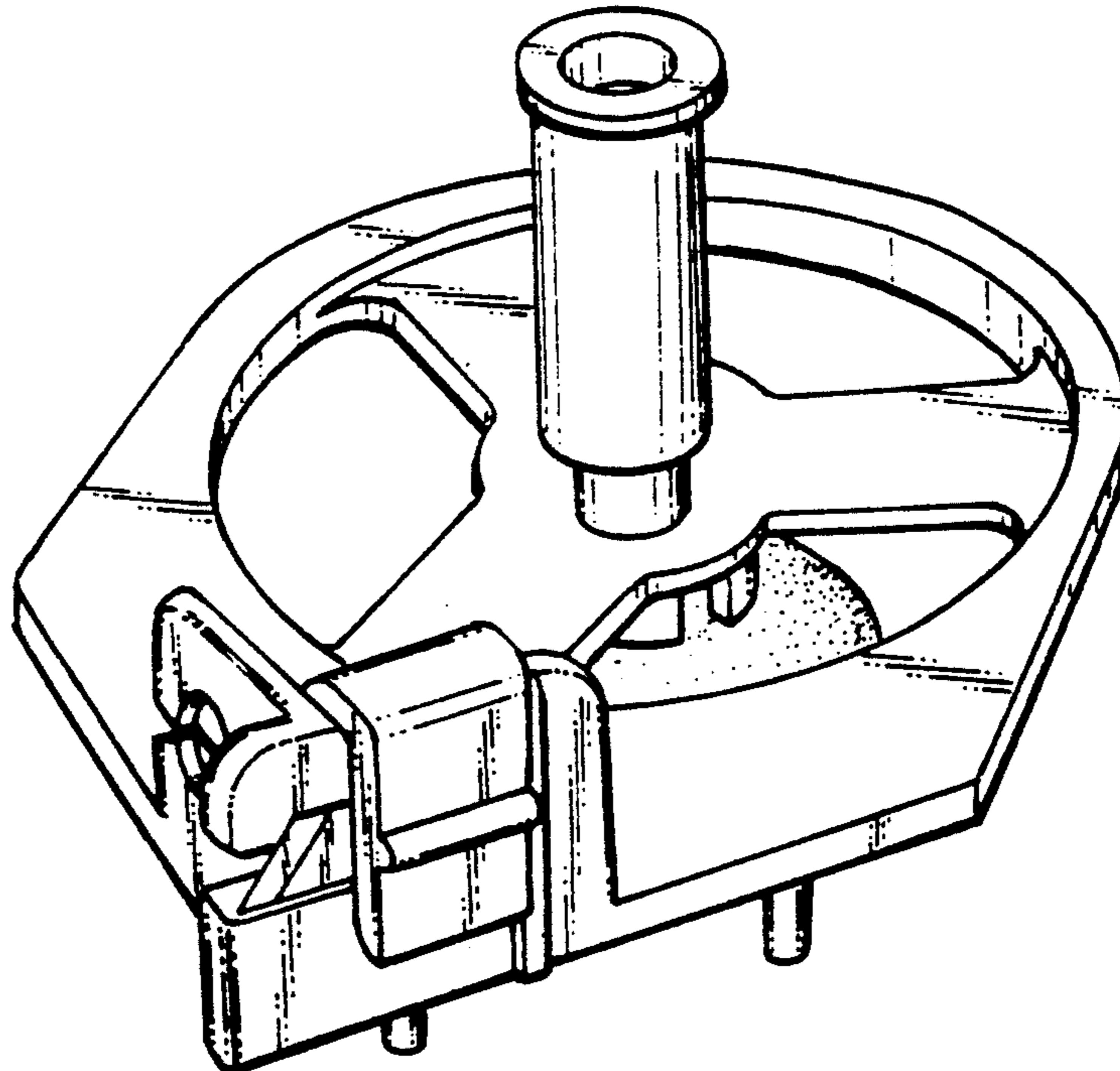
[56] **References Cited**

**U.S. PATENT DOCUMENTS**

**DESCRIPTION**

1,826,491	10/1931	Allan	242/128
2,170,194	8/1939	Griggs	242/128
2,806,659	9/1957	Marcoff	
3,175,784	3/1965	Dambrogio	242/128
3,285,531	7/1966	Gillison	242/128
3,868,069	2/1975	Schulz	242/128
4,171,783	10/1979	Waltemath	242/128
4,290,223	9/1981	Ostenberg et al.	242/137.1 X
4,412,662	11/1983	Rutecki	242/128 X

FIG. 1 is a perspective view of a line despooler showing my new design;  
FIG. 2 is a top plan view thereof;  
FIG. 3 is a front elevational view thereof;  
FIG. 4 is a left side elevational view thereof;  
FIG. 5 is a right side elevational view thereof;  
FIG. 6 is a rear elevational view thereof; and,  
FIG. 7 is a bottom plan view.



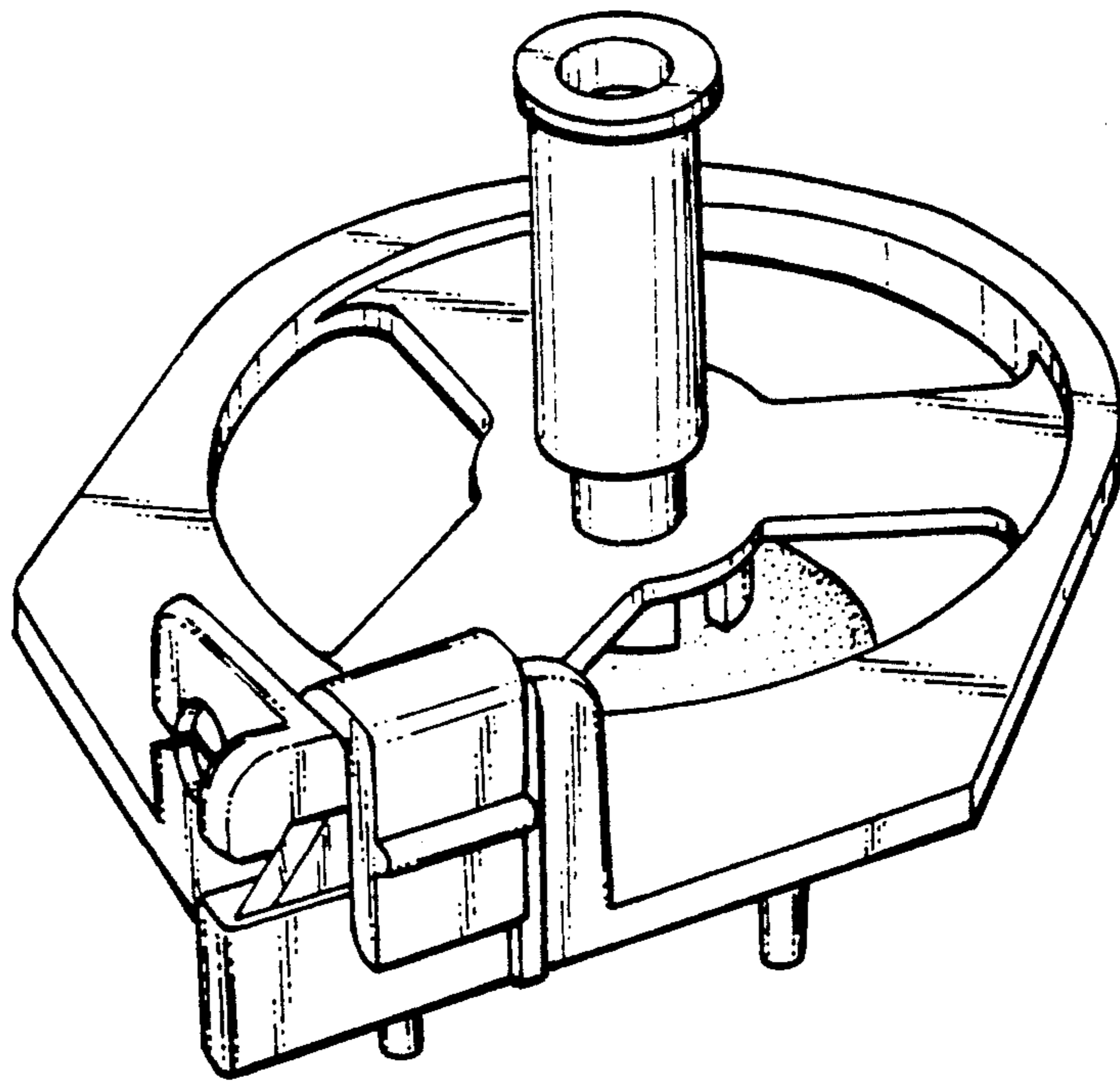


FIG. 1.

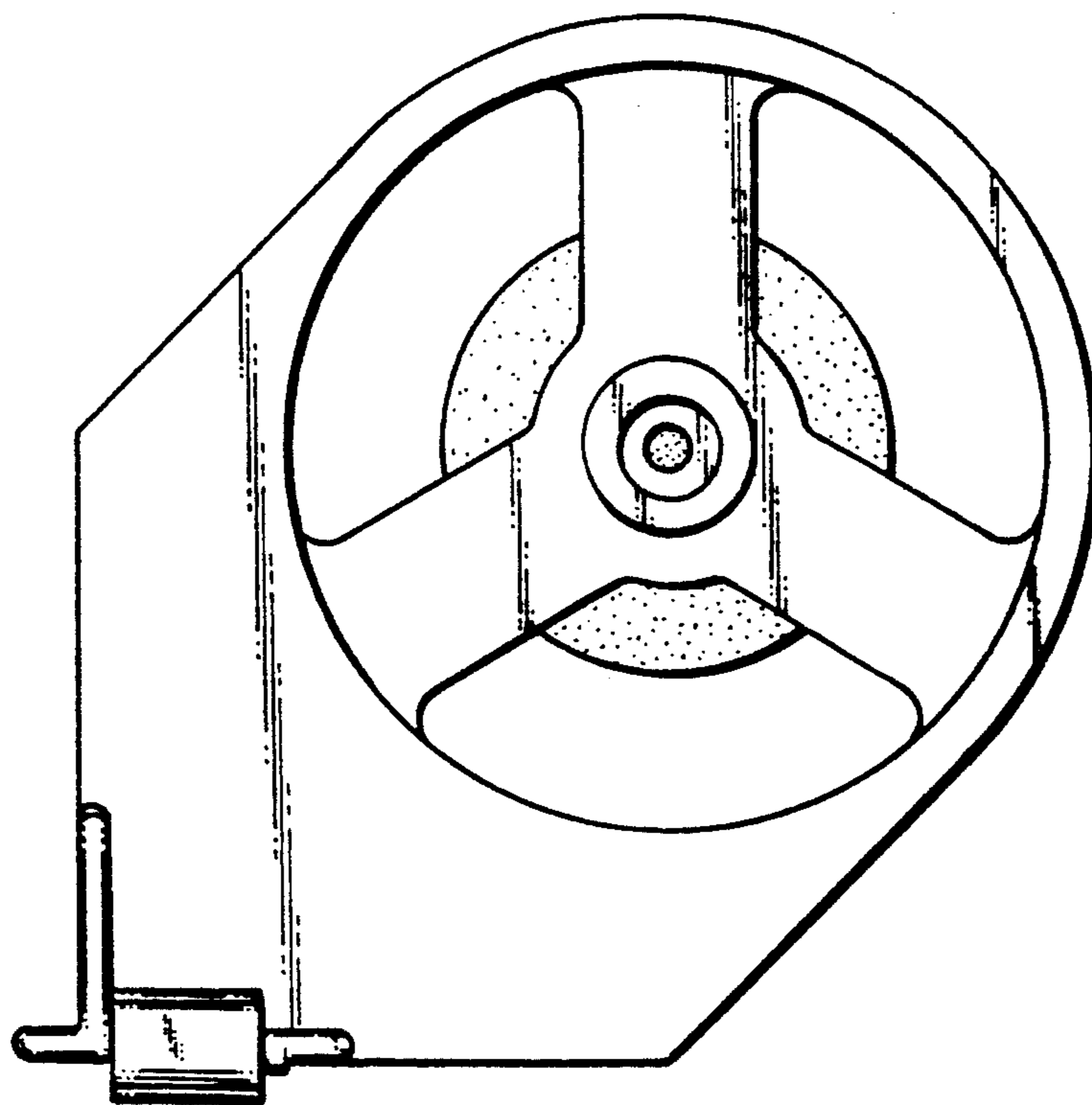


FIG. 2.

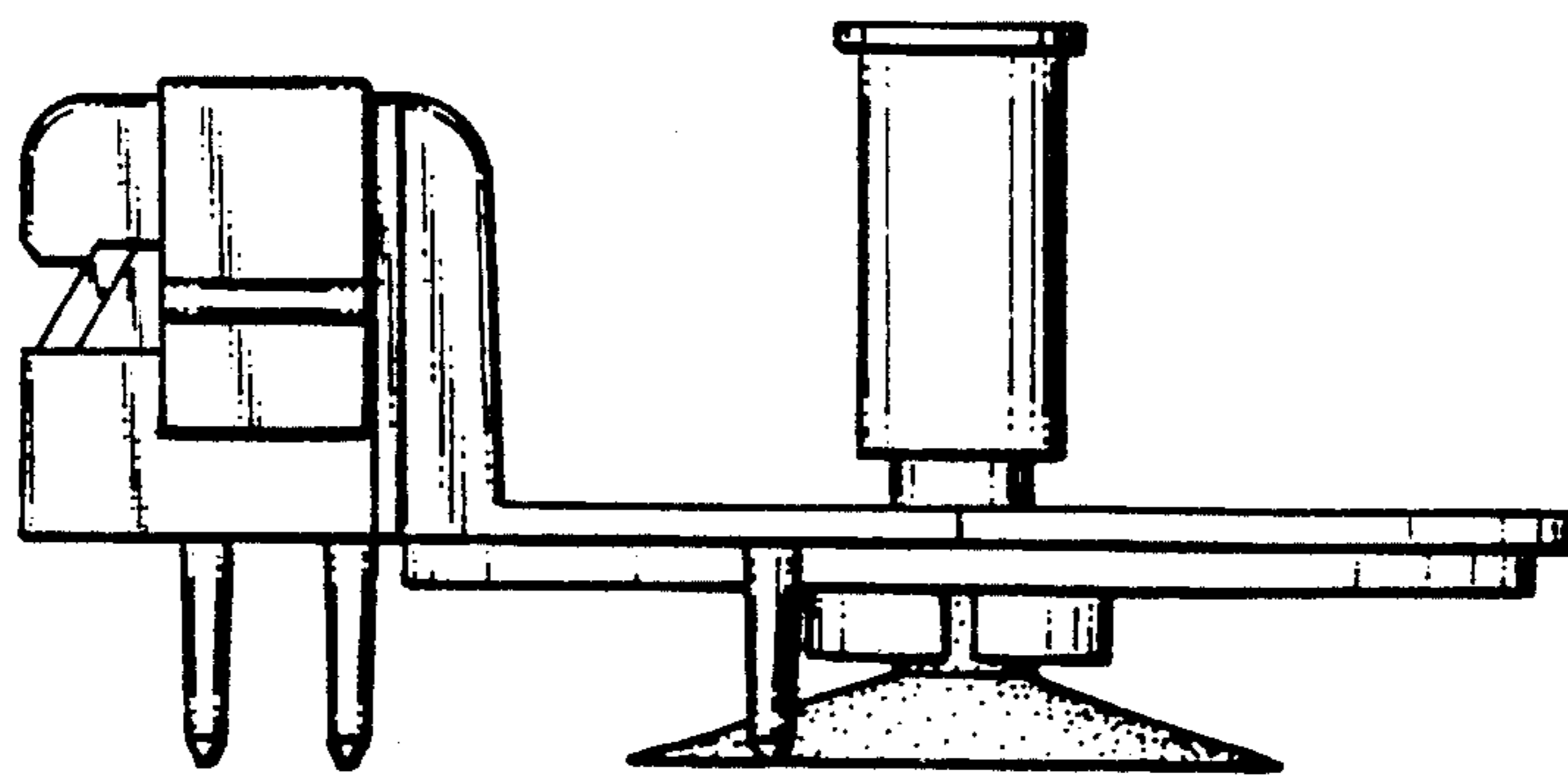


FIG. 3.

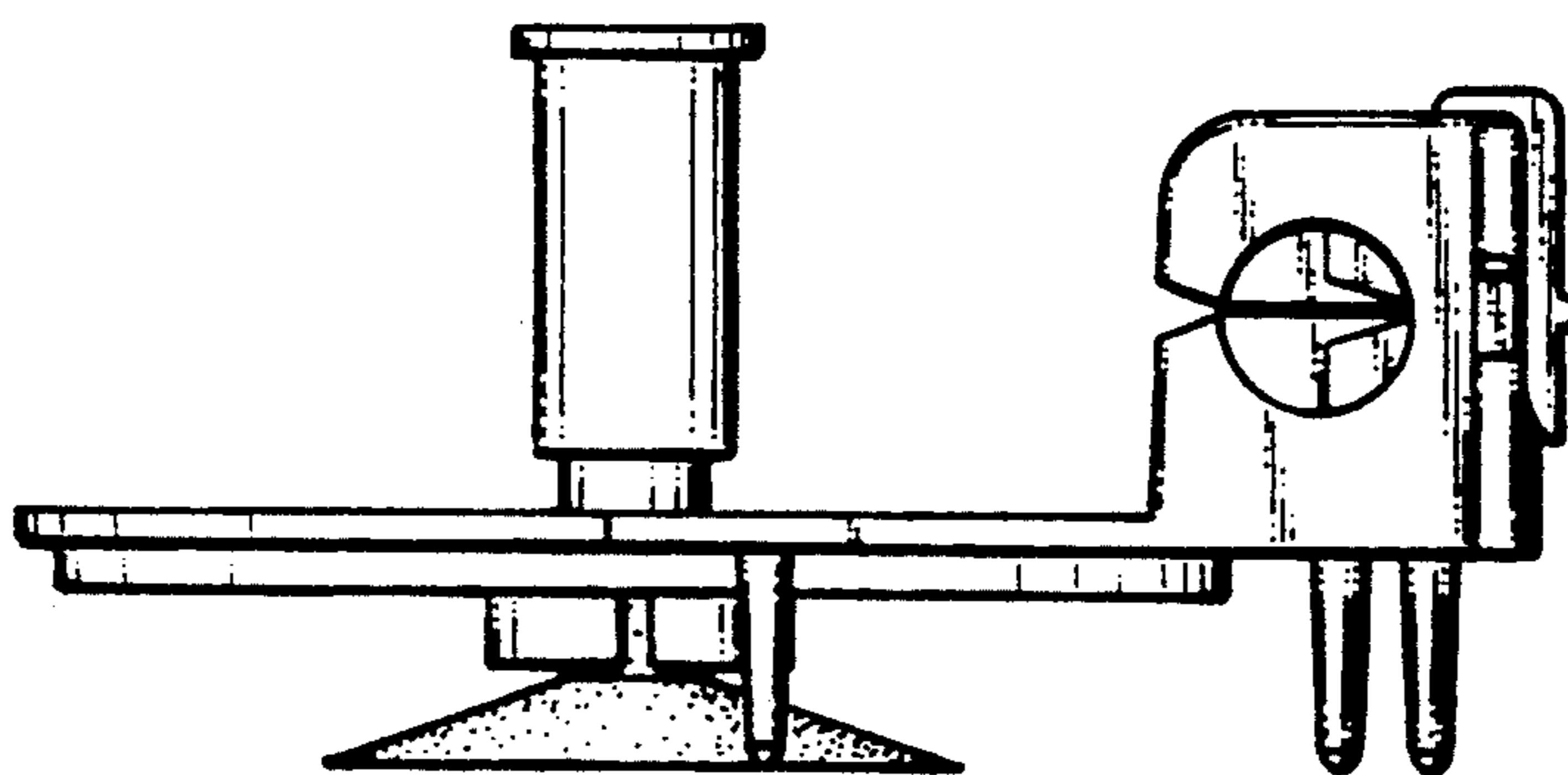


FIG. 4.

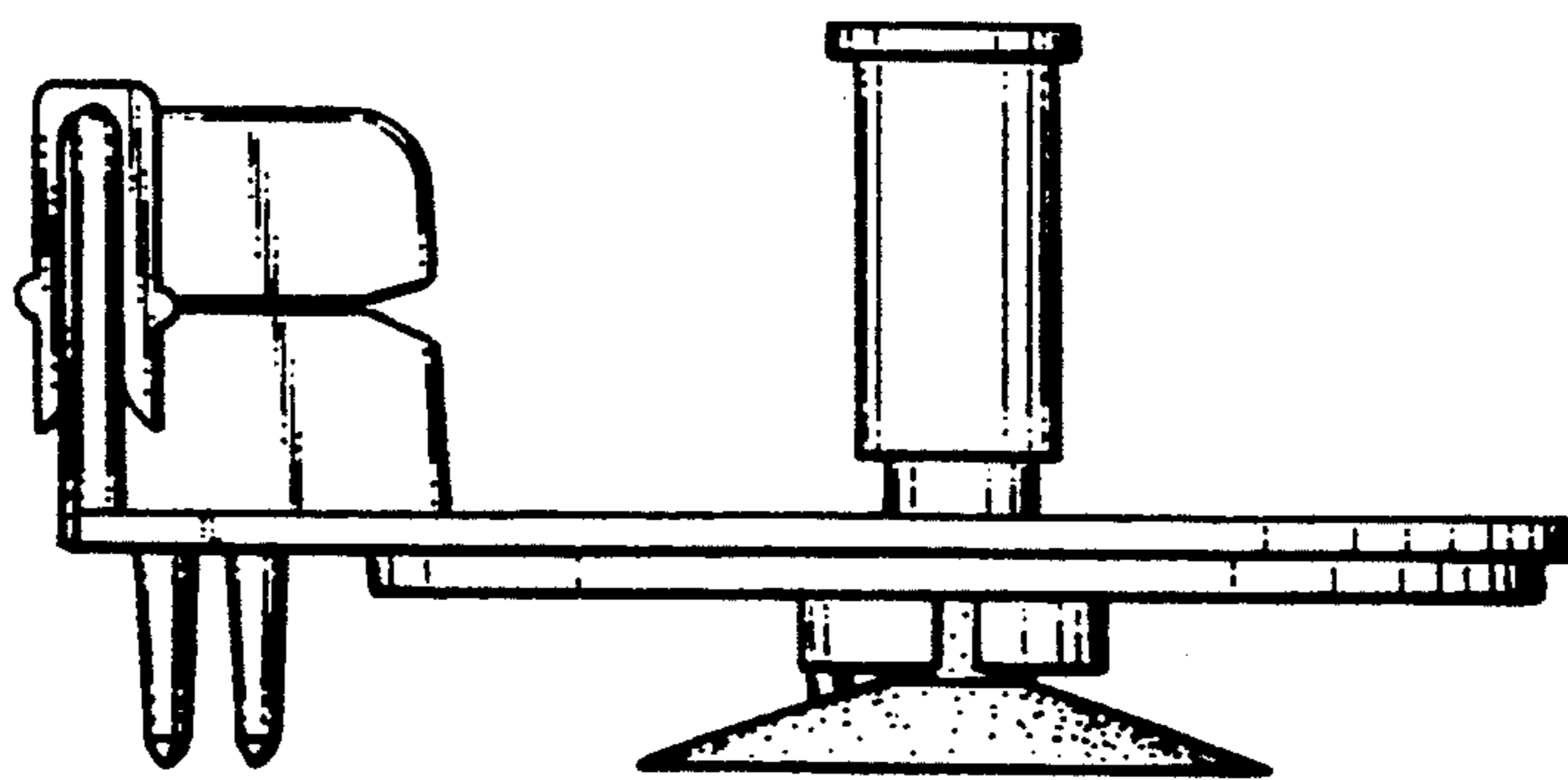


FIG. 5.

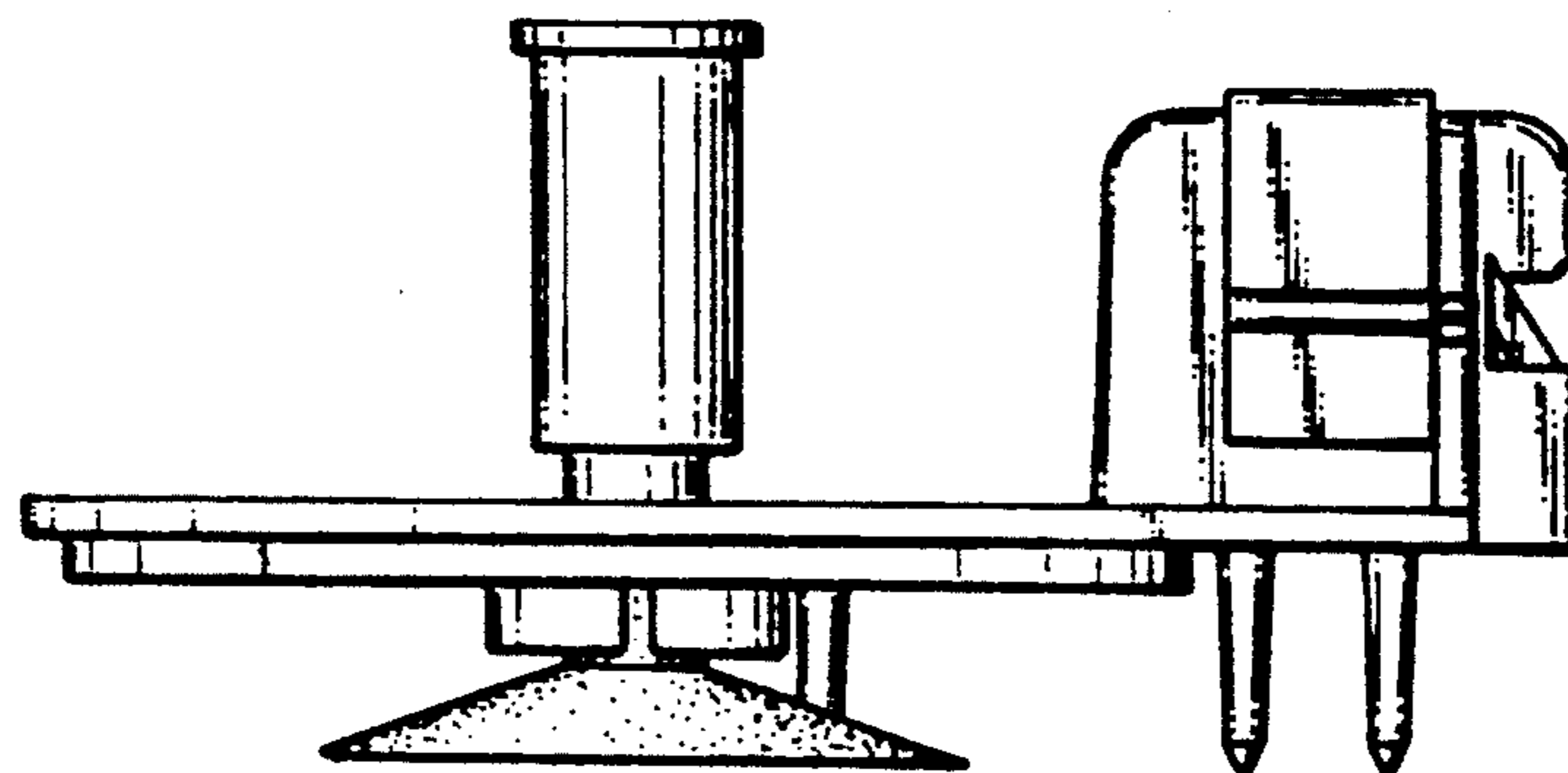
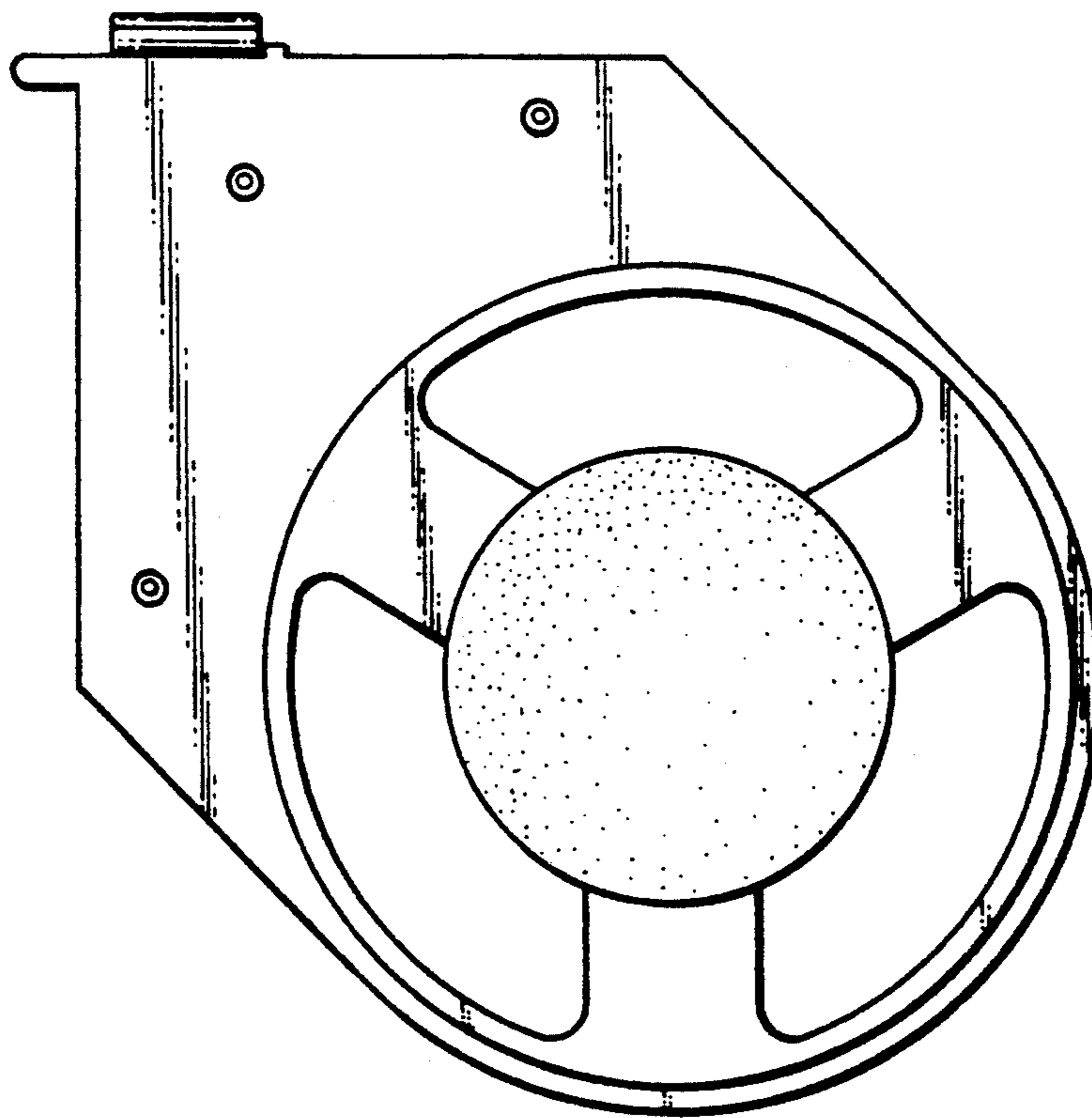


FIG. 6.



*FIG. 7.*