



US00D332293S

United States Patent [19]

[11] Patent Number: **Des. 332,293**

Powers

[45] Date of Patent: **** Jan. 5, 1993**

[54] **BILLIARD TABLE**

FOREIGN PATENT DOCUMENTS

[75] Inventor: **Carl D. Powers, Genoa City, Wis.**

954898 9/1974 Canada 273/3 R

[73] Assignee: **Brunswick Bowling & Billiards Corp., Skokie, Ill.**

OTHER PUBLICATIONS

Toys and Novelties, Jun. 1964, p. 52, top left of the page.

The Frederick-Willys Co. cat. 1966, Table as shown.

[**] Term: **14 Years**

Primary Examiner—Bernard Ansher

Assistant Examiner—Prabhakar Deshmukh

Attorney, Agent, or Firm—Wood, Phillips, VanSanten, Hoffman & Ertel

[21] Appl. No.: **704,018**

[22] Filed: **May 22, 1991**

[57] CLAIM

[52] U.S. Cl. **D21/232**

The ornamental design of a billiard table, as shown and described.

[58] Field of Search **D21/232; 273/3 R, 3 A, 273/3 C, 4 R, 2, 6, 10; D6/480, 484**

DESCRIPTION

[56] References Cited

U.S. PATENT DOCUMENTS

- D. 148,119 12/1947 Anderson et al. D21/232
- D. 179,689 2/1957 Kordek D21/232 X
- D. 235,669 7/1975 Le Mieux D21/232 X
- 3,337,216 8/1967 Miller et al. 273/3 R

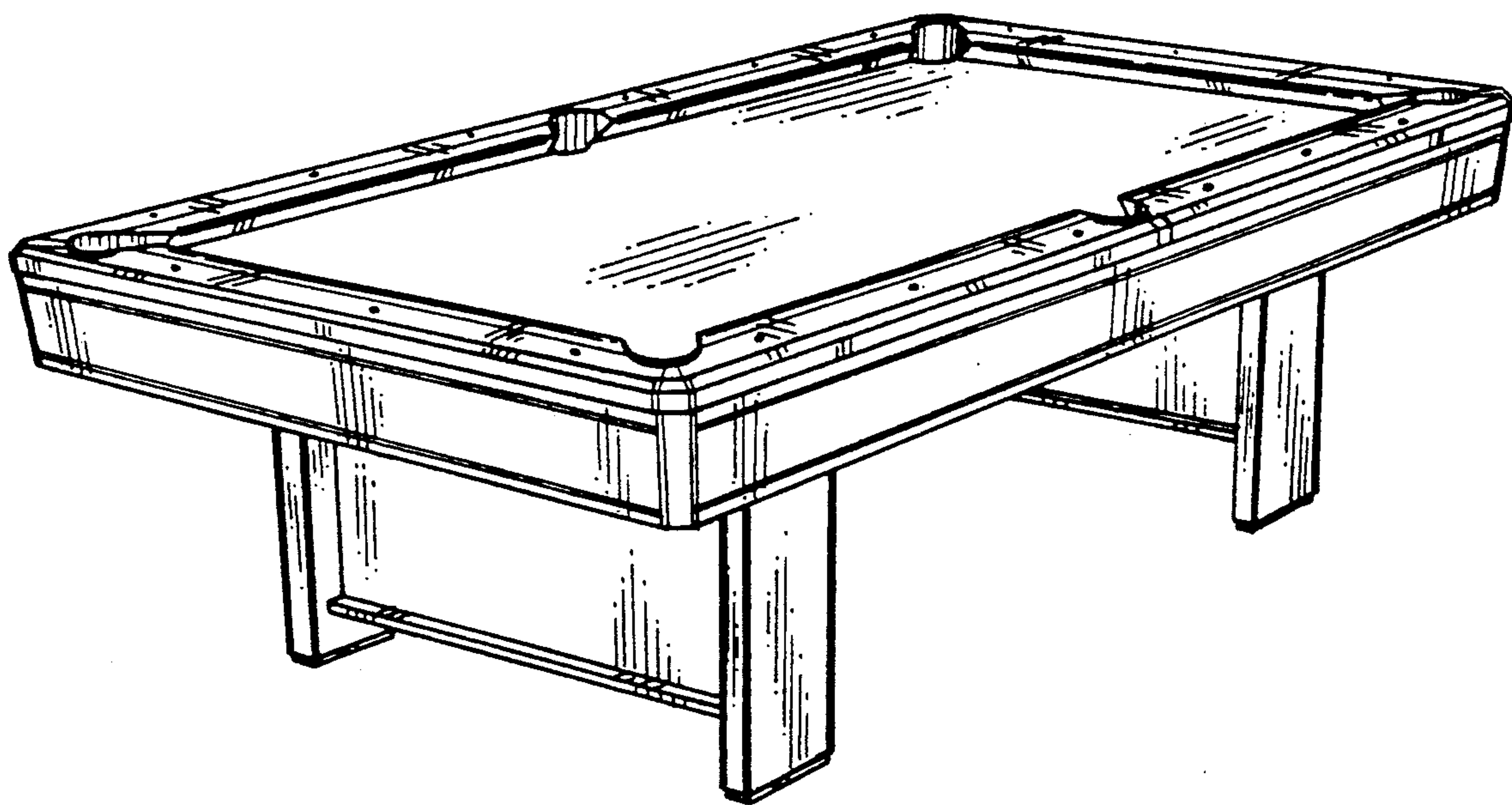
FIG. 1 is a perspective view of a billiard table showing my new design;

FIG. 2 is a top plan view thereof;

FIG. 3 is a right side elevational view thereof; the left side elevational view being a mirror image thereof;

FIG. 4 is a rear elevational view thereof; and,

FIG. 5 is a front elevational view thereof.



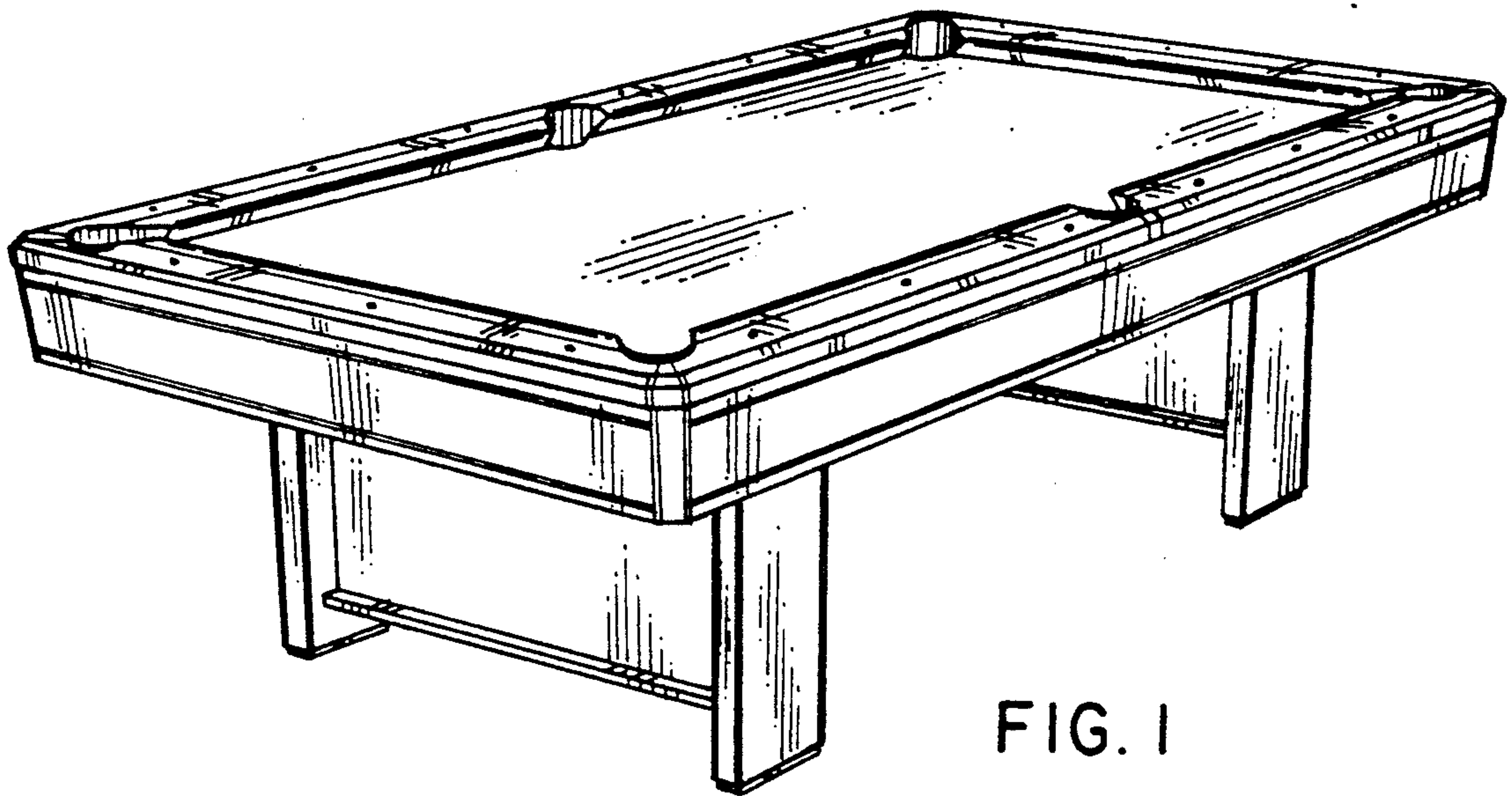


FIG. 1

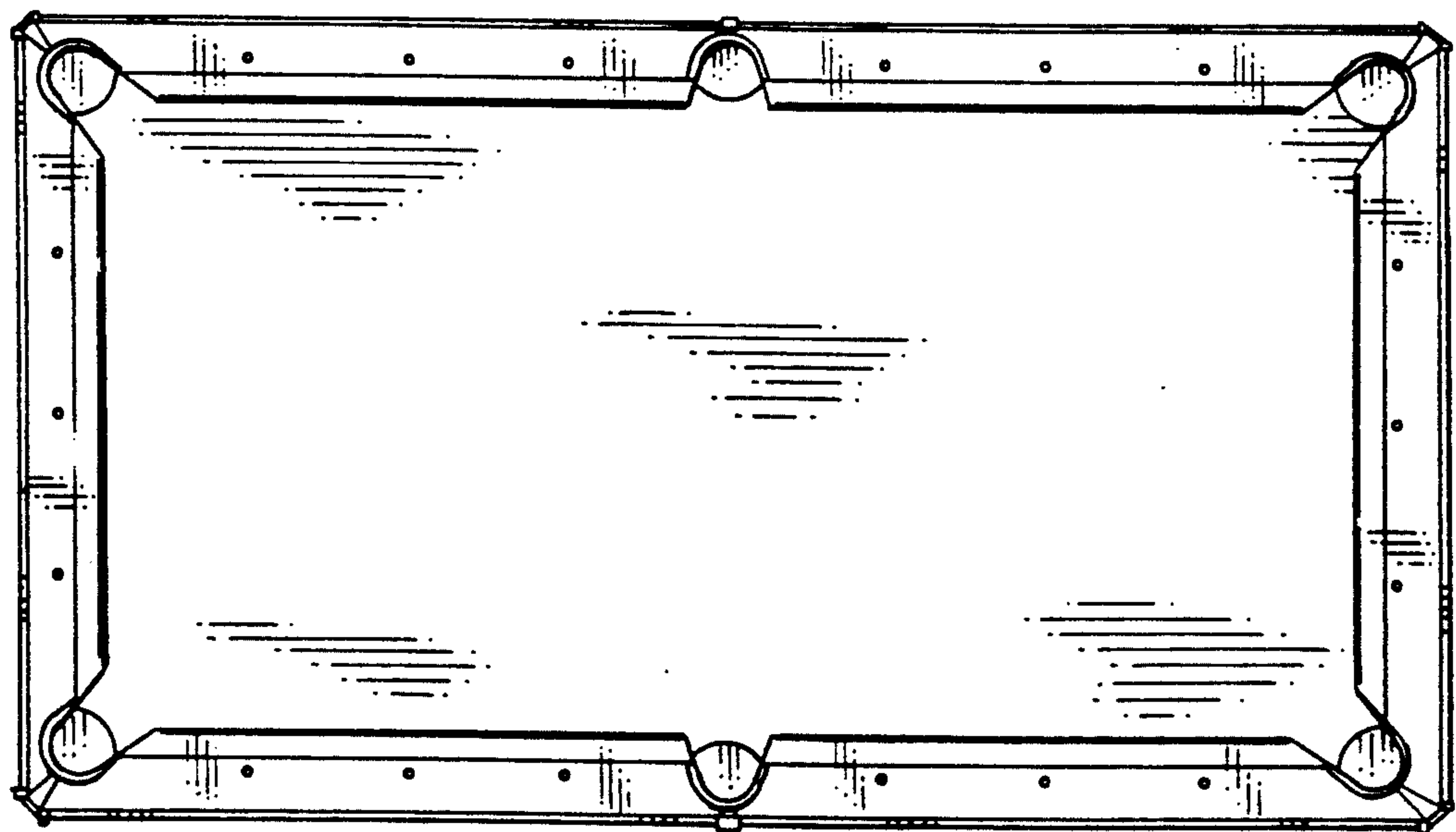


FIG. 2

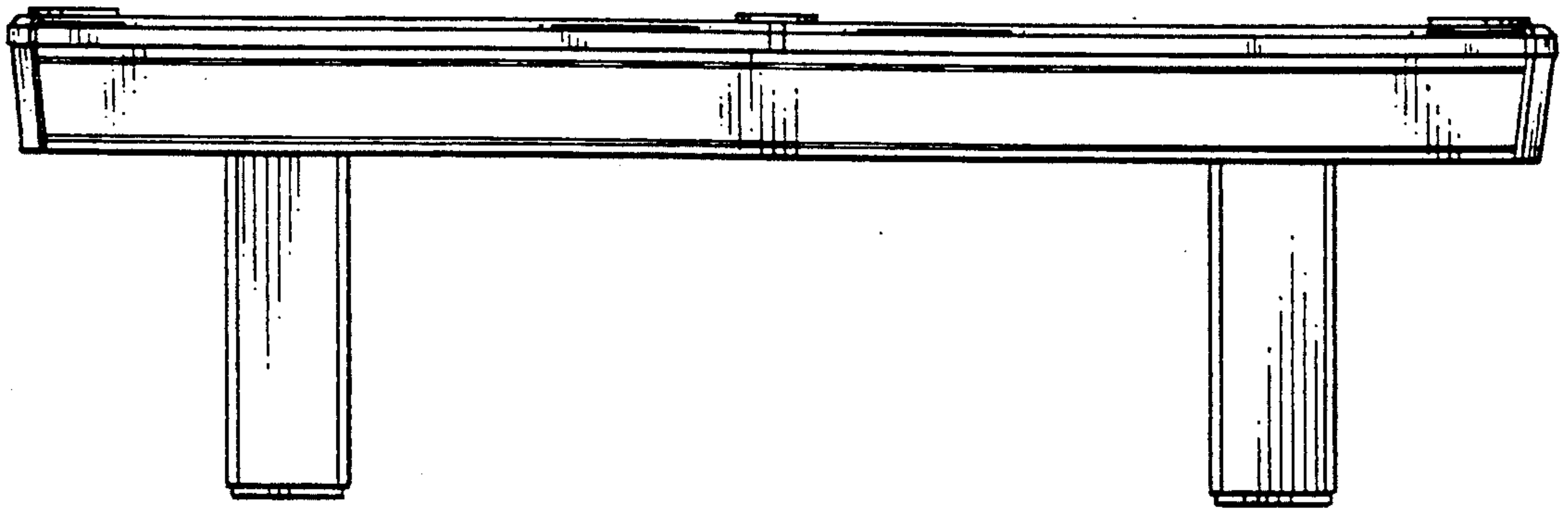


FIG. 3

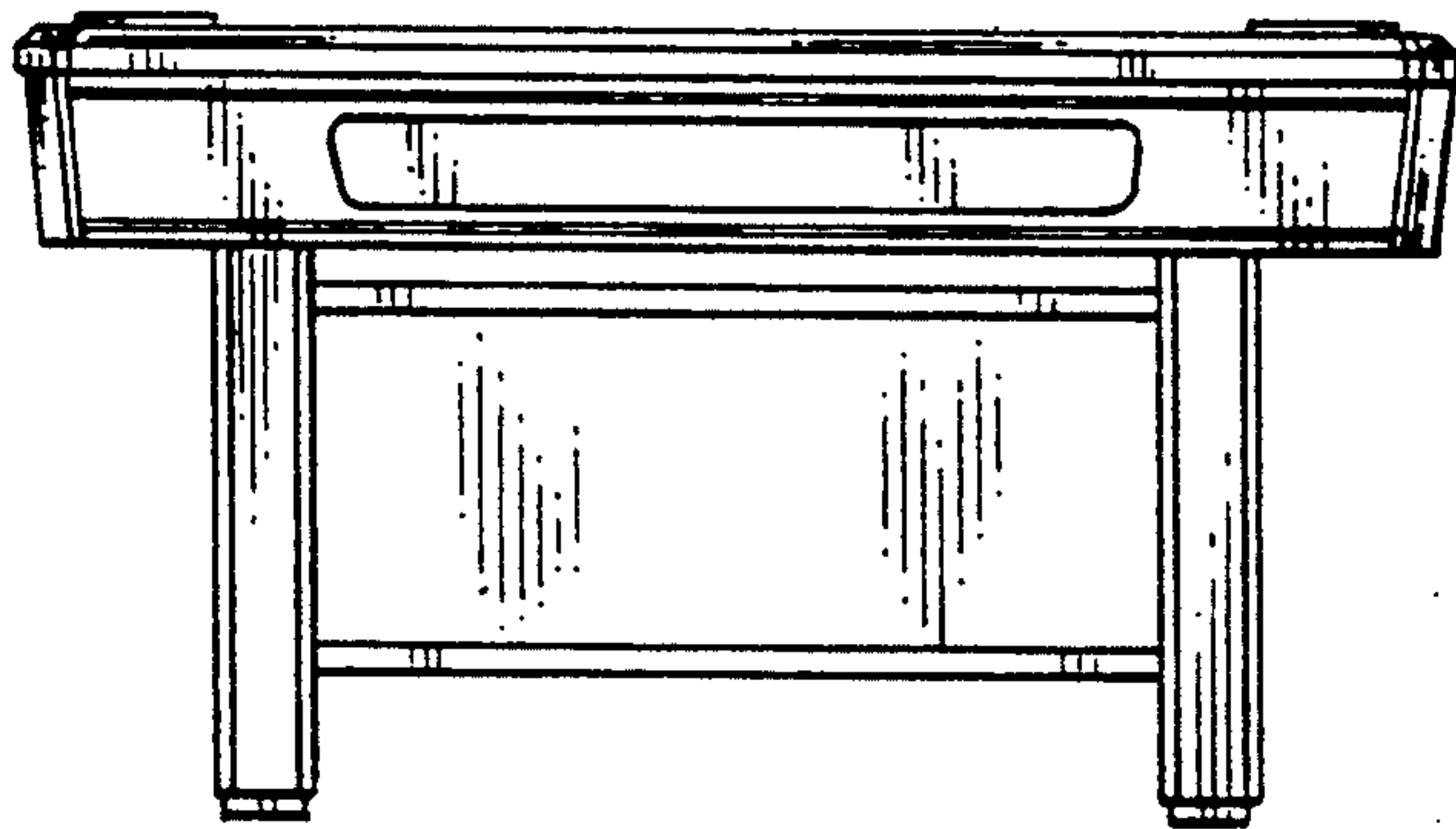


FIG. 4

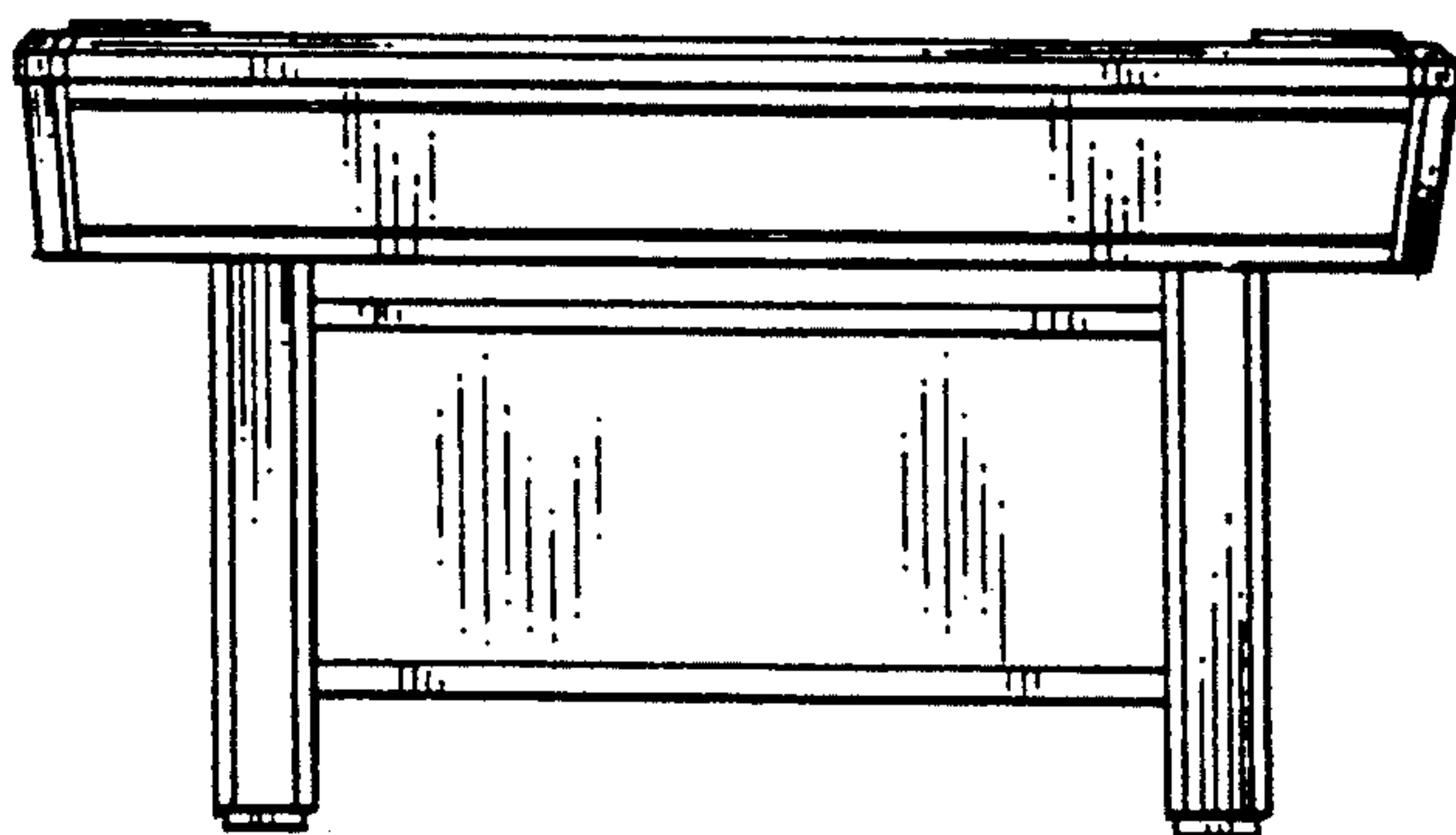


FIG. 5