



US00D332276S

United States Patent [19]

[11] Patent Number: **Des. 332,276**

Tajima et al.

[45] Date of Patent: **** Jan. 5, 1993**

[54] **INK RIBBON CASSETTE FOR AN ELECTRONIC COMPUTER**

D. 307,438 4/1990 Kodama D18/12
D. 313,611 1/1991 Yokoi D18/12

[75] Inventors: **Akio Tajima; Hiroyuki Harada**, both of Tokyo, Japan

Primary Examiner—Carmen H. Vales-Lado
Assistant Examiner—Ann Hunt
Attorney, Agent, or Firm—Jordan and Hamburg

[73] Assignee: **Seikosha Co., Ltd.**, Tokyo, Japan

[57] **CLAIM**

[**] Term: **14 Years**

The ornamental design for an ink ribbon cassette for an electronic computer, as shown.

[21] Appl. No.: **570,643**

[22] Filed: **Aug. 21, 1990**

DESCRIPTION

[52] U.S. Cl. **D18/12**

[58] Field of Search D18/12, 18, 56, 99;
D14/114, 121; 400/194, 195, 196, 196.1, 207,
208

FIG. 1 is a front perspective view of an ink ribbon cassette for an electronic computer showing our new design;

FIG. 2 is a front elevational view thereof;

FIG. 3 is a rear elevational view thereof;

FIG. 4 is a top plan view thereof;

FIG. 5 is a bottom plan view thereof;

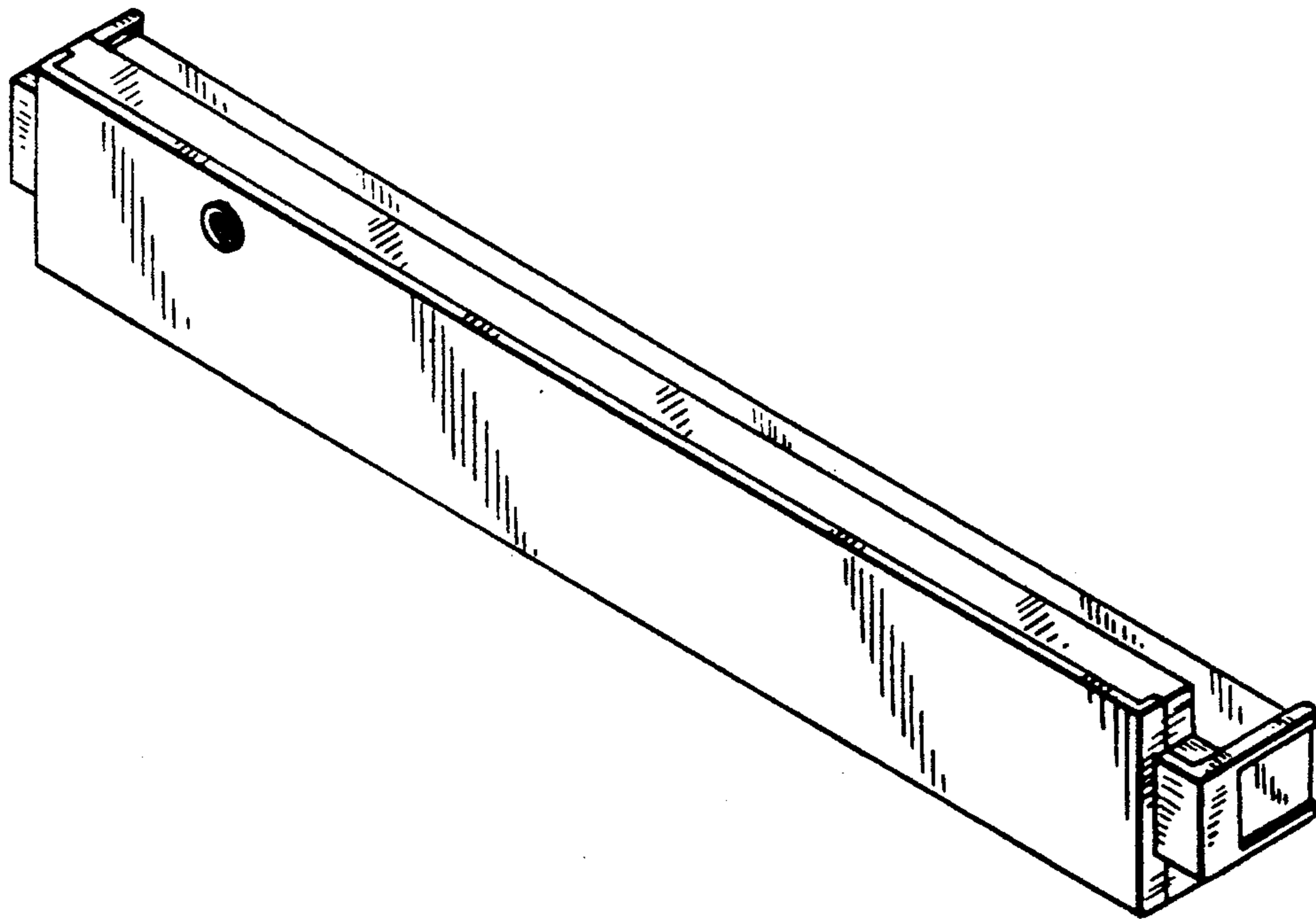
FIG. 6 is a right side elevational view thereof; and,

FIG. 7 is a left side elevational view thereof.

[56] **References Cited**

U.S. PATENT DOCUMENTS

D. 275,296 8/1984 Katori D18/12
D. 280,912 10/1985 Kosaka D18/12



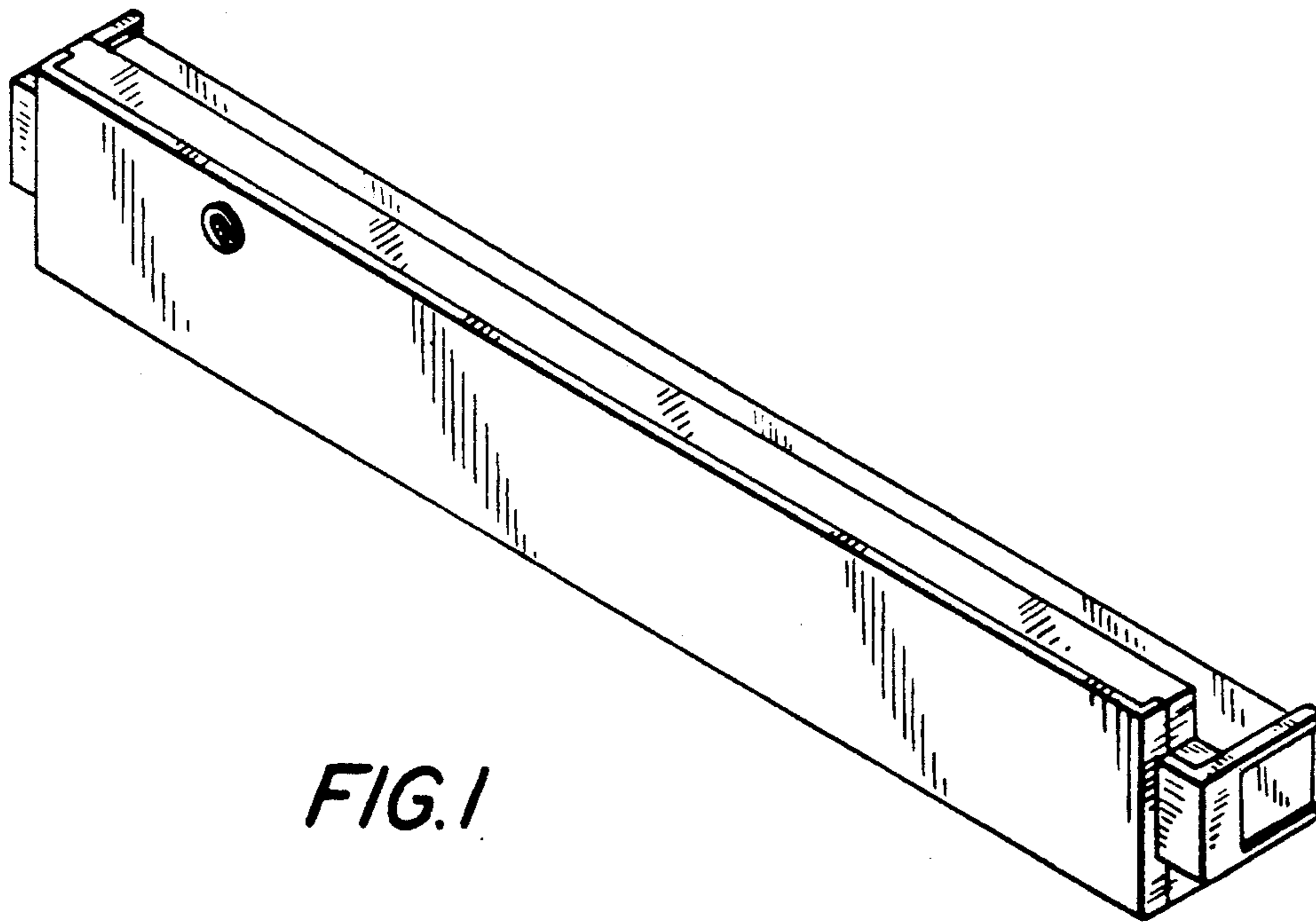


FIG. 1

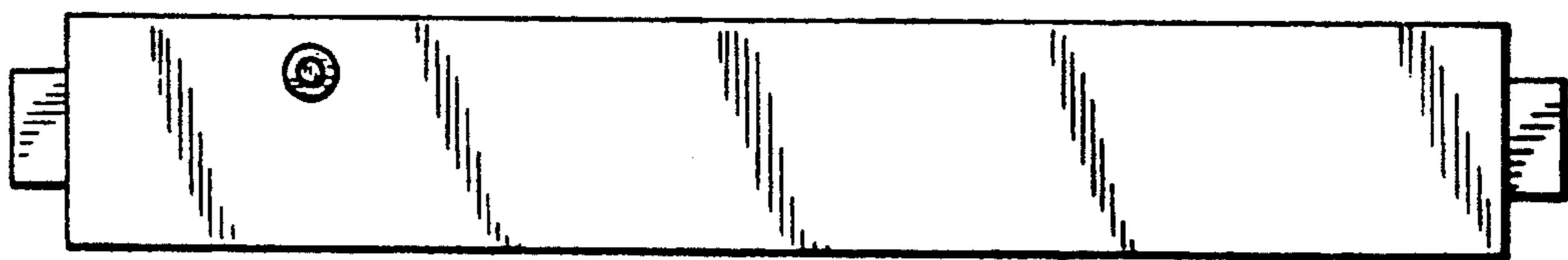


FIG. 2

FIG. 3

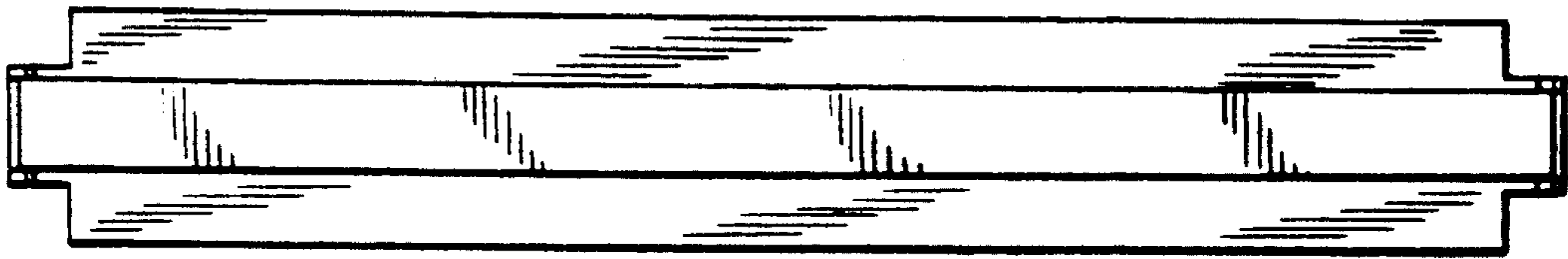


FIG. 4

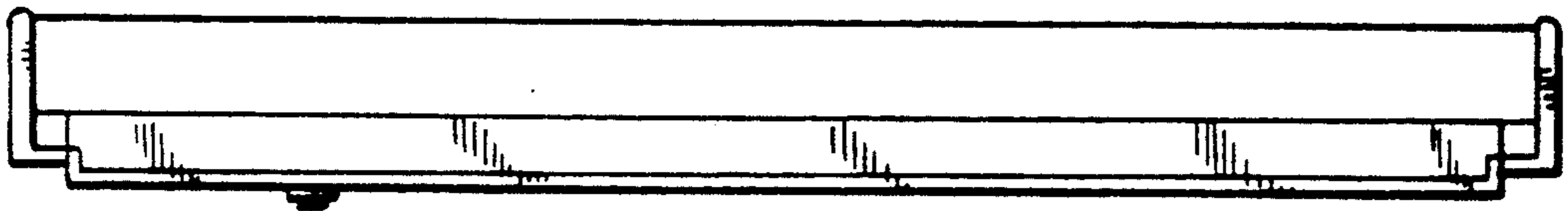


FIG. 5

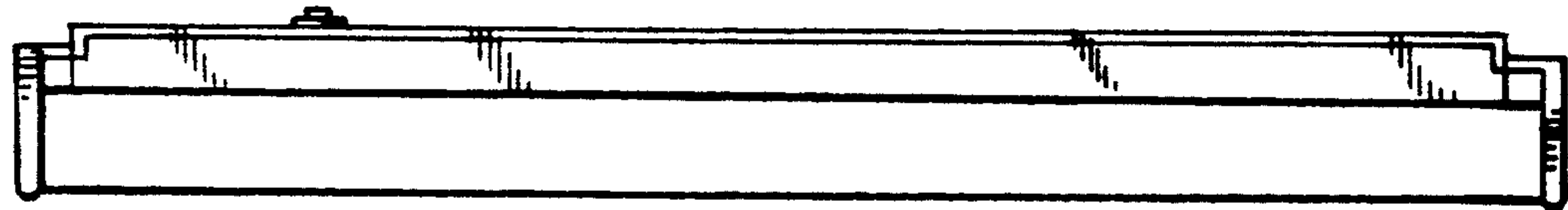


FIG. 6

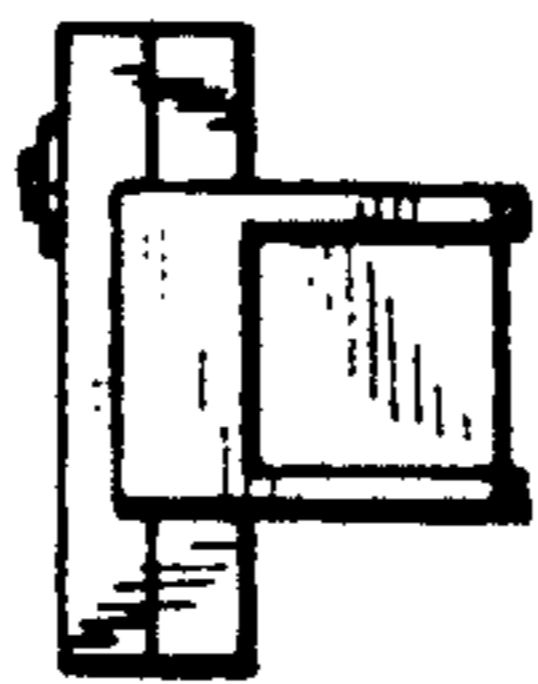


FIG. 7

