



US00D332274S

# United States Patent [19]

[11] Patent Number: **Des. 332,274**

Peersmann

[45] Date of Patent: **\*\* Jan. 5, 1993**

[54] **COMBINED CALCULATOR, BUSINESS CARD HOLDER, CLOCK, AND ALARM**

D. 319,651 9/1991 Hu Huang ..... D18/7  
D. 327,493 6/1992 Hayashi ..... D18/2

[75] Inventor: **Richard F. M. Peersmann, ET**  
Scheveningen, Netherlands

*Primary Examiner*—Nelson C. Holtje  
*Assistant Examiner*—Ann Hunt  
*Attorney, Agent, or Firm*—Foley & Lardner

[73] Assignee: **Pollyflame International B.V.,**  
Roelofarendsveen, Netherlands

### [57] CLAIM

[\*\*] Term: **14 Years**

The ornamental design for a combined calculator, business card holder, clock and alarm, as shown and described.

[21] Appl. No.: **813,400**

### DESCRIPTION

[22] Filed: **Dec. 27, 1991**

[52] U.S. Cl. .... **D18/2; D18/7;**  
D19/76

FIG. 1 is a perspective view of a combined calculator, business card holder, clock and alarm showing my new design in the open position;

[58] Field of Search ..... D18/1, 2, 6, 11, 12,  
D18/7; D10/2, 15; D14/100, 106, 107; 200/5  
A: 235/61 R: 364/706-710; 248/447

FIG. 2 is a front elevational view thereof;

FIG. 3 is a rear elevational view thereof;

FIG. 4 is a bottom plan view thereof;

FIG. 5 is a top plan view thereof;

FIG. 6 is a left side elevational view thereof;

FIG. 7 is a right side elevational view thereof; and,

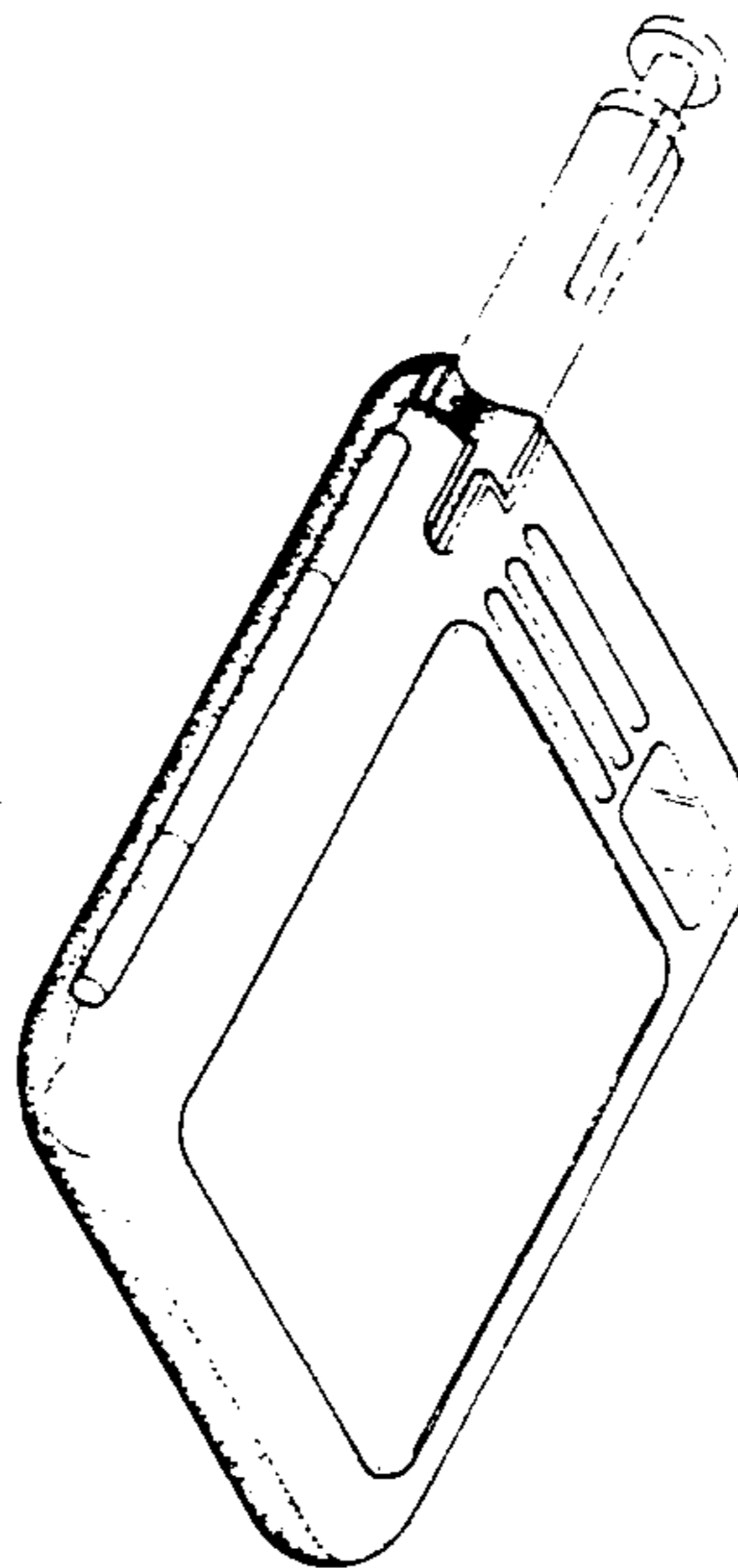
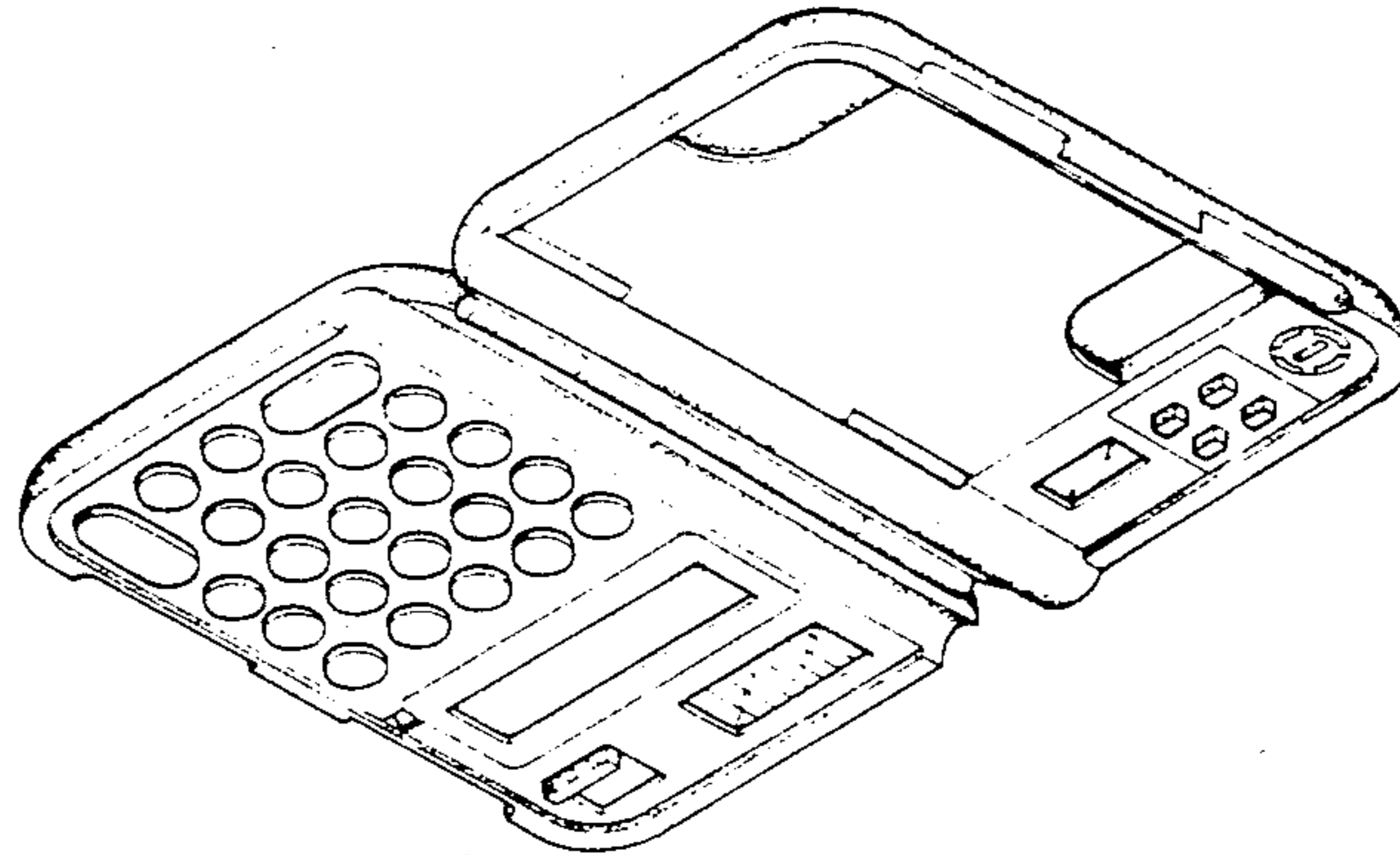
FIG. 8 is a perspective view in the closed position.

The pen shown in broken lines in FIG. 8 is for illustrative purposes only and forms no part of the claimed design.

### [56] References Cited

#### U.S. PATENT DOCUMENTS

D. 241,381 9/1976 Garnier ..... D18/7  
D. 248,994 8/1978 Ikeda ..... D18/7  
D. 300,227 3/1989 Noguchi ..... D18/2  
D. 306,176 2/1990 Yubisui et al. .... D18/7  
D. 317,780 6/1991 Arai ..... D18/1



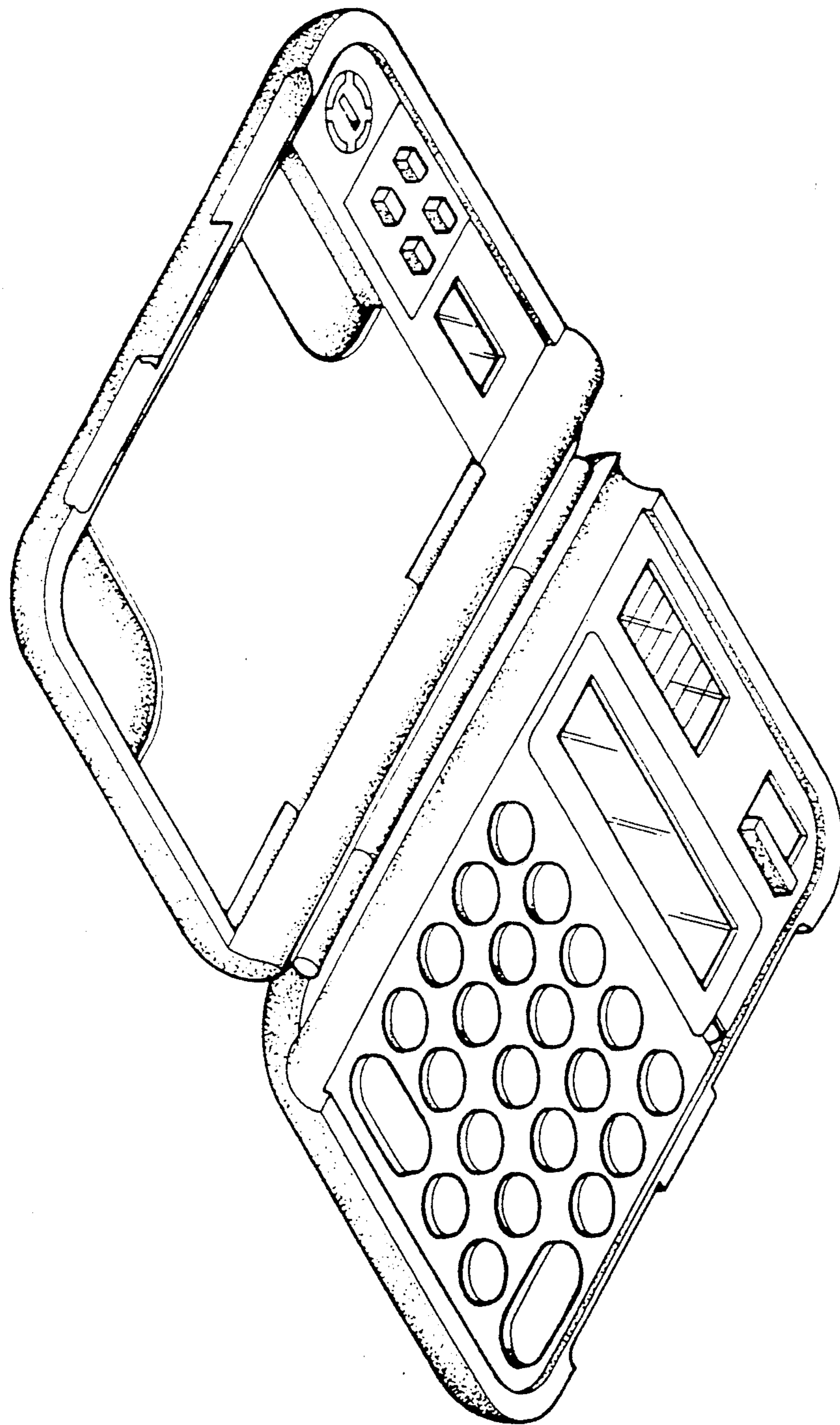


FIG. 1



FIG. 2



FIG. 3

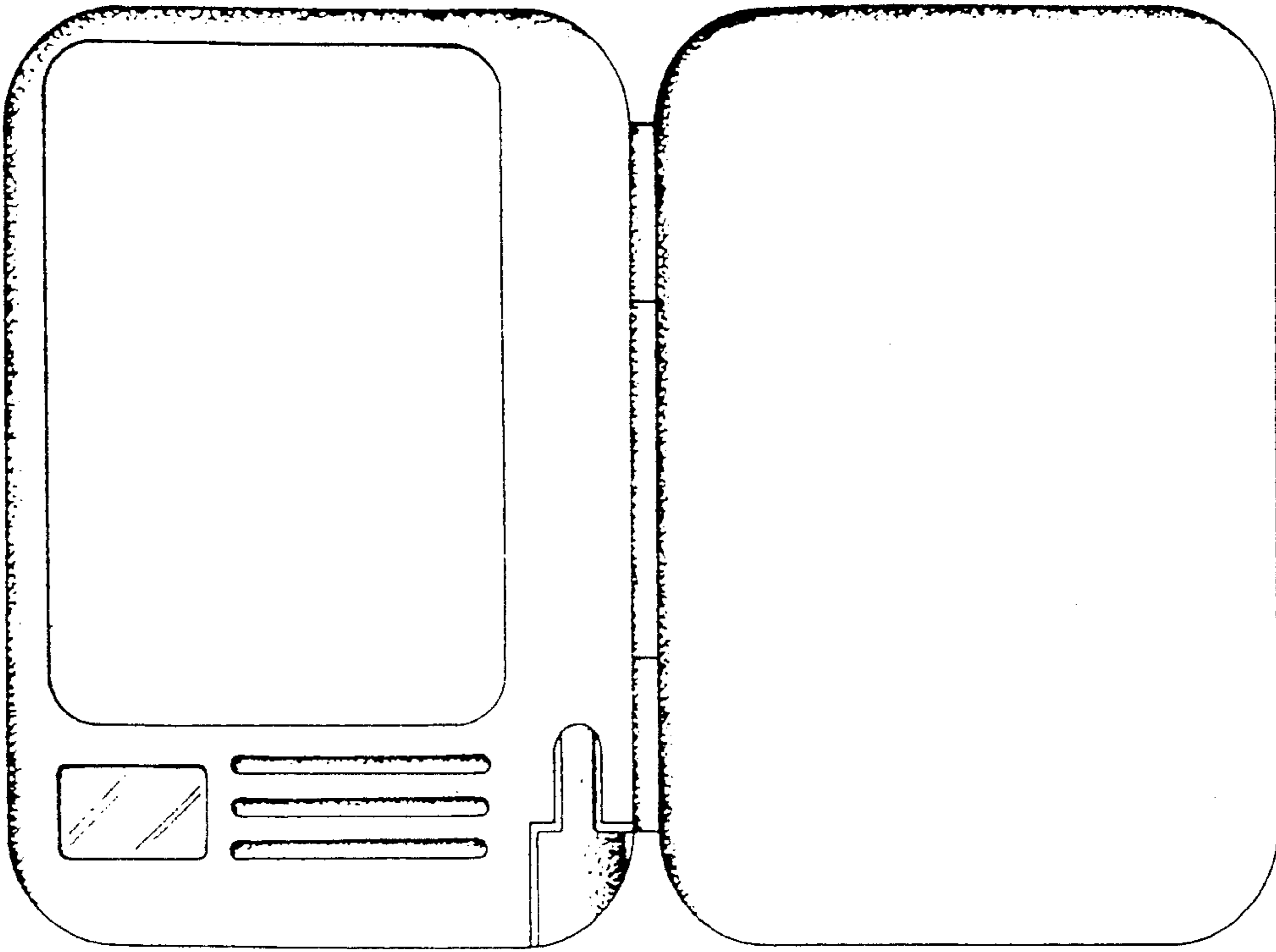


FIG. 4

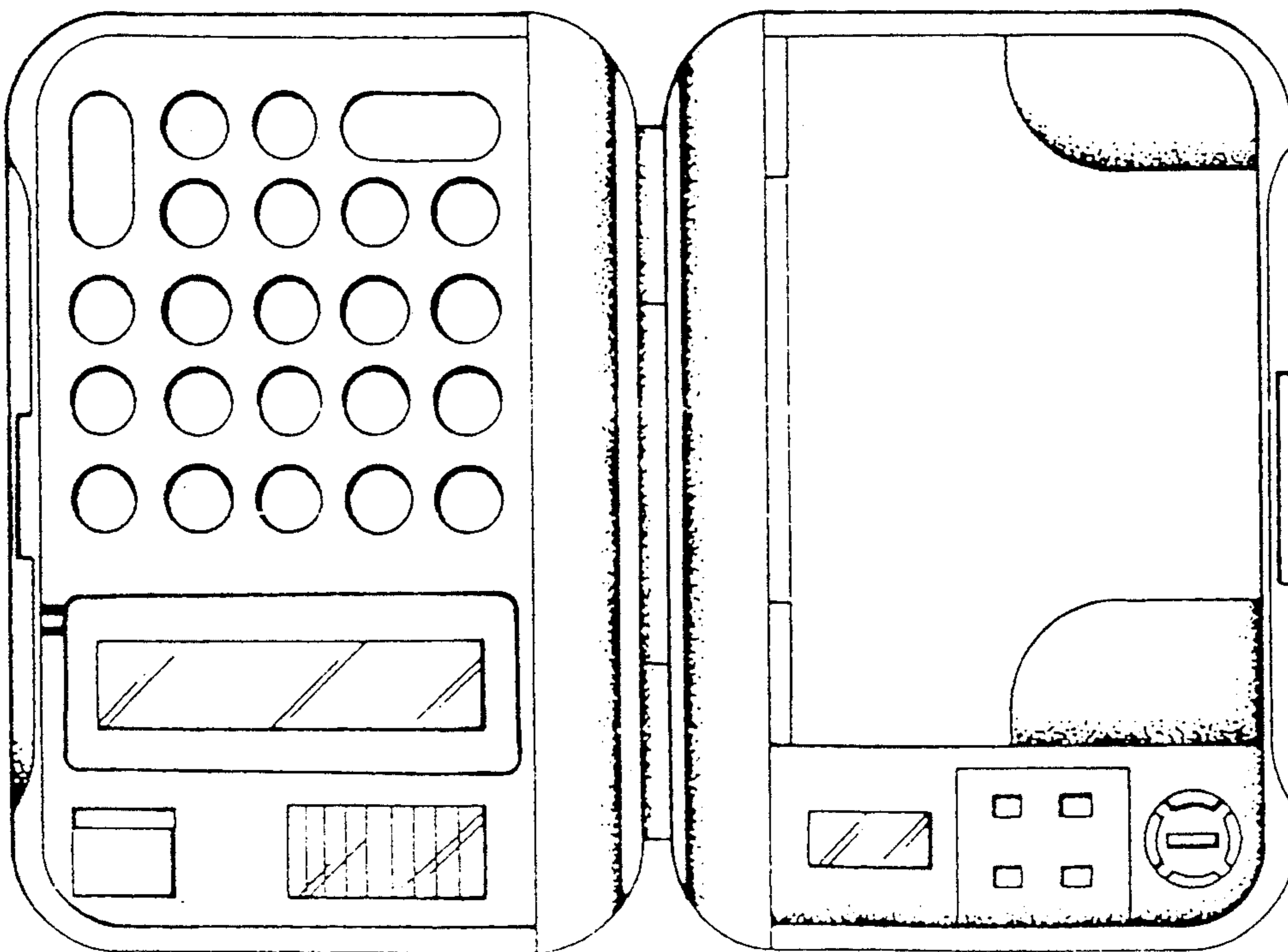


FIG. 5

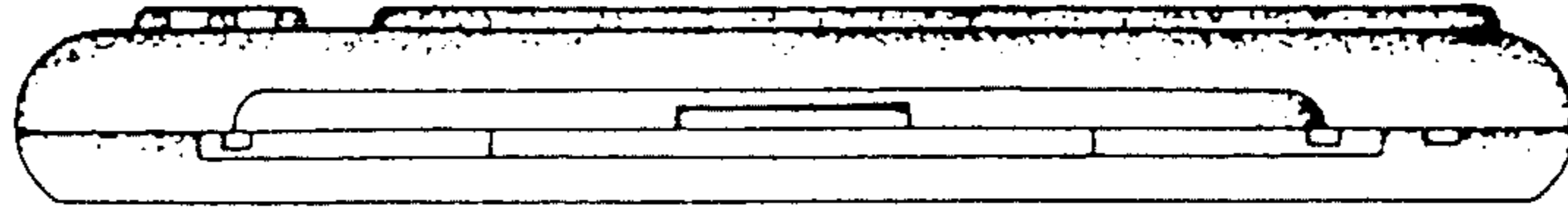


FIG. 6

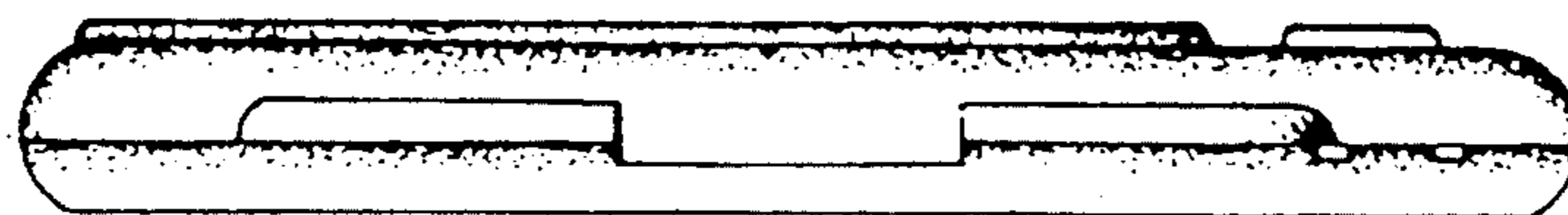


FIG. 7

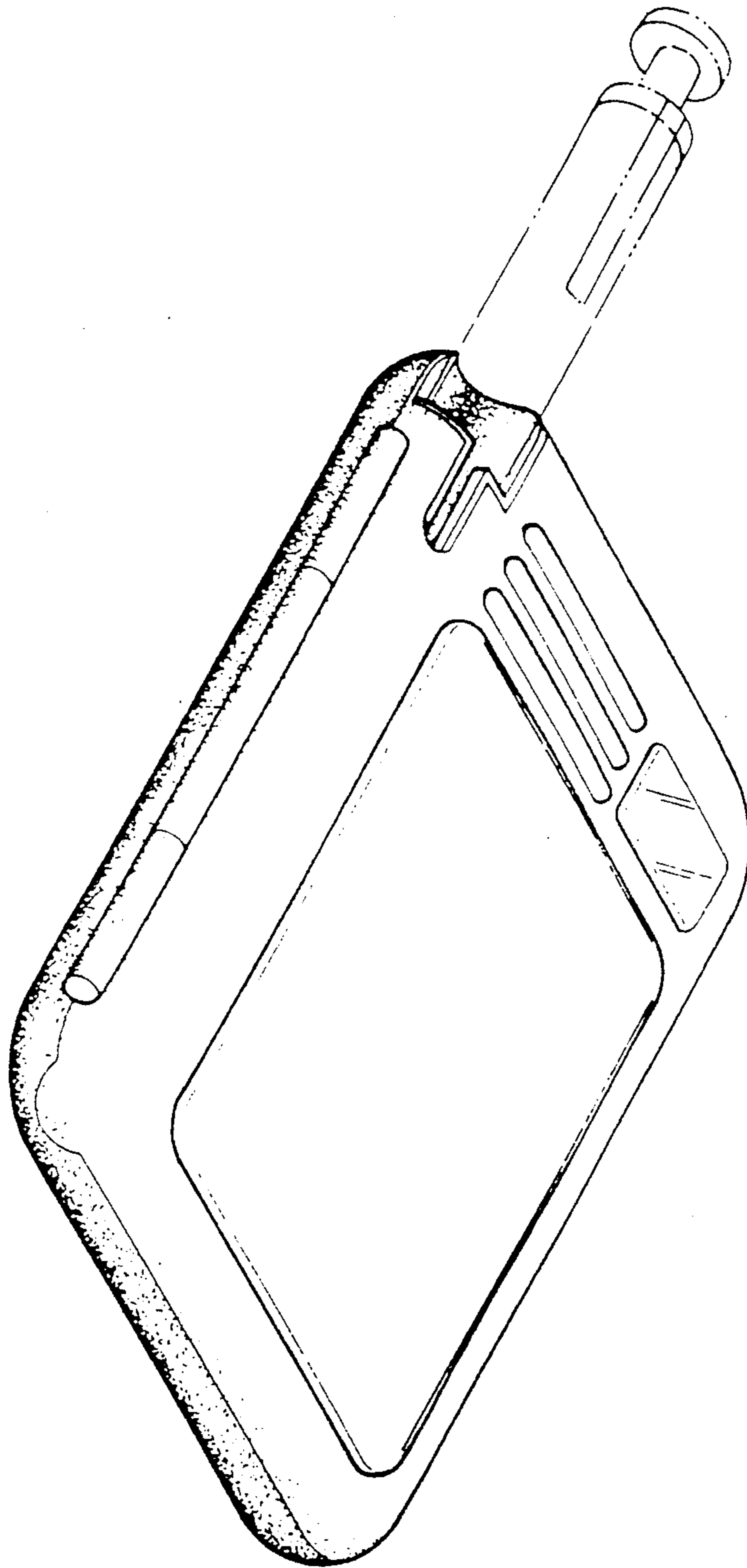


FIG. 8