



US00D332273S

United States Patent [19]

Maliszewski et al.

[11] Patent Number: **Des. 332,273**

[45] Date of Patent: **** Jan. 5, 1993**

[54] **COMBINED CAMERA AND PROJECTOR/IMAGE PROCESSOR**

4,029,412 6/1977 Spence-Bate 355/64
4,286,852 9/1981 Stern et al. 354/77

[75] Inventors: **John R. Maliszewski**, Overland Park, Kans.; **Charles W. Kellstedt, Jr.**; **Joel M. Lieblein**, both of Sudbury, Mass.

Primary Examiner—Bernard Ansher
Assistant Examiner—Adir Aronovich
Attorney, Agent, or Firm—Kokjer, Kircher, Bowman & Johnson

[73] Assignee: **Opti-Copy, Inc.**, Lenexa, Kans.

[**] Term: **14 Years**

[57] **CLAIM**

The ornamental design for a combined camera and projector/image processor, as shown.

[21] Appl. No.: **514,371**

DESCRIPTION

[22] Filed: **Apr. 25, 1990**

[52] U.S. Cl. **D16/208; D16/223**

[58] Field of Search **D16/200, 208, 221, 223; D18/36, 50, 56; D24/158; 352/138; 354/75, 77; 355/64**

FIG. 1 is a front and right side perspective view of combined camera and projector/image processor showing our new design;

FIG. 2 is a perspective view of a rear and left side thereof;

FIG. 3 is a right side elevational view thereof;

FIG. 4 is a front elevational view thereof;

FIG. 5 is a left side elevational view thereof;

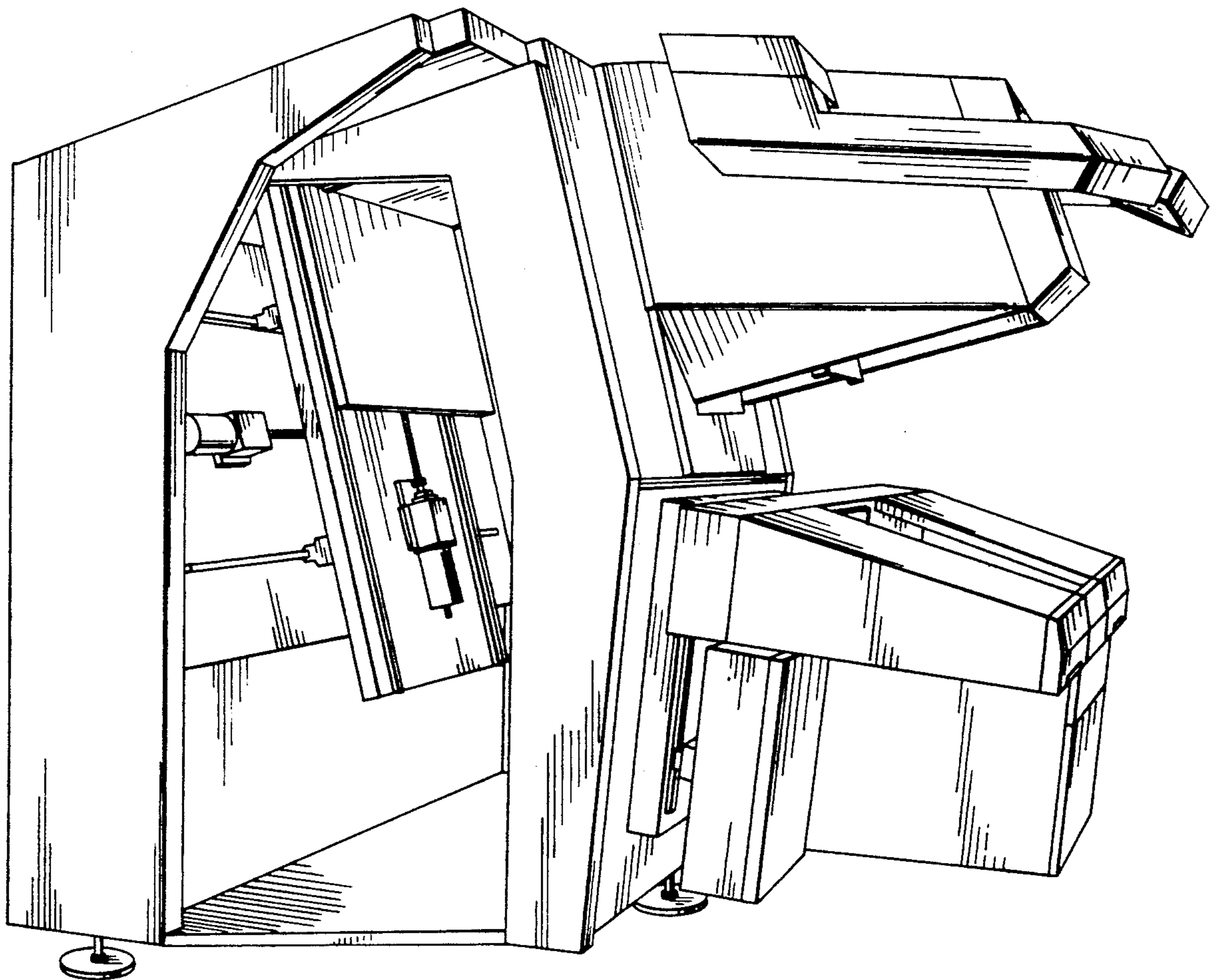
FIG. 6 is a rear elevational view thereof; and,

FIG. 7 is a top plan view thereof.

[56] **References Cited**

U.S. PATENT DOCUMENTS

D. 157,913 3/1950 Senechal D18/36
D. 211,060 5/1968 Takata et al. D16/208
D. 239,872 5/1976 Pundsack D16/208



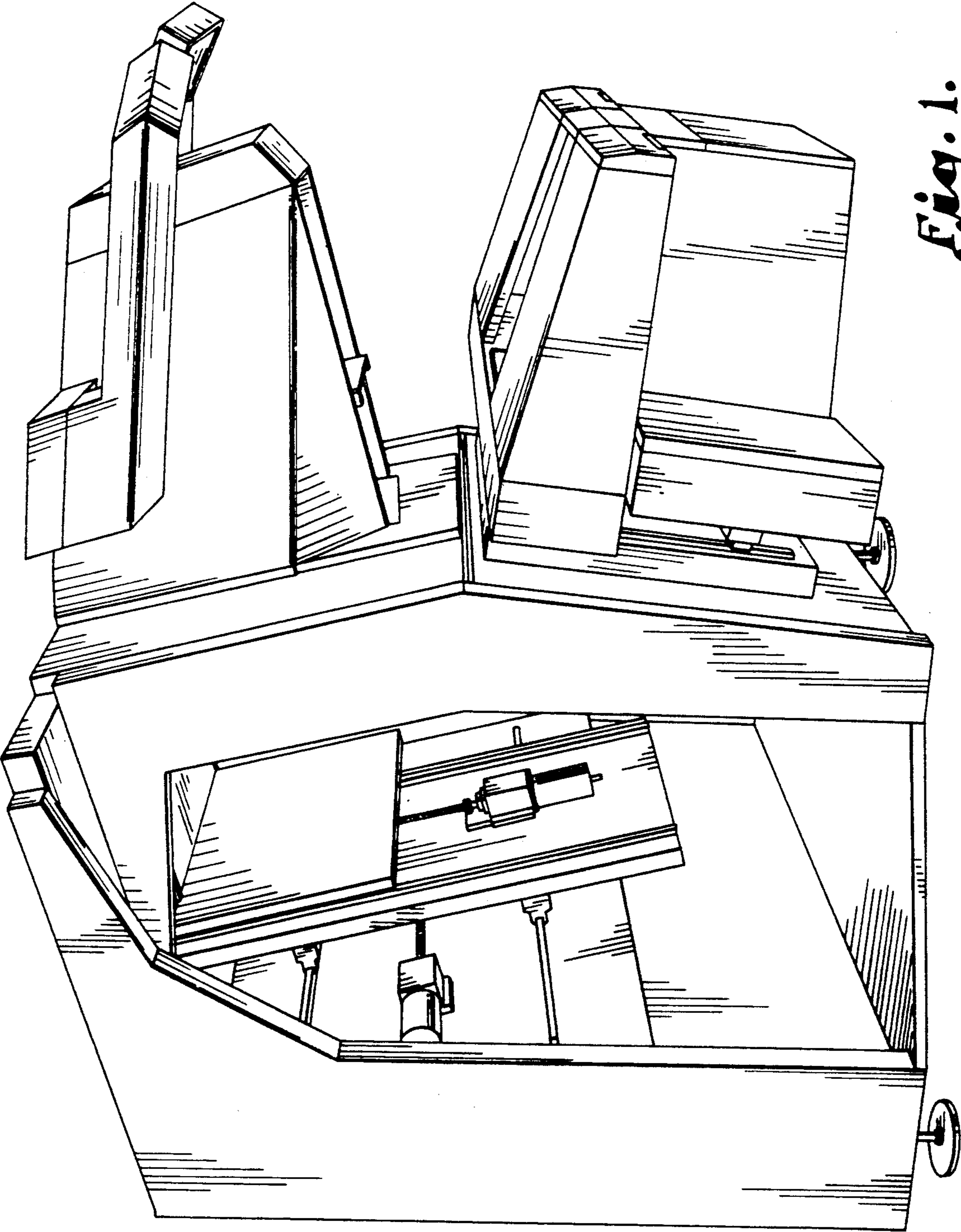


Fig. 1.

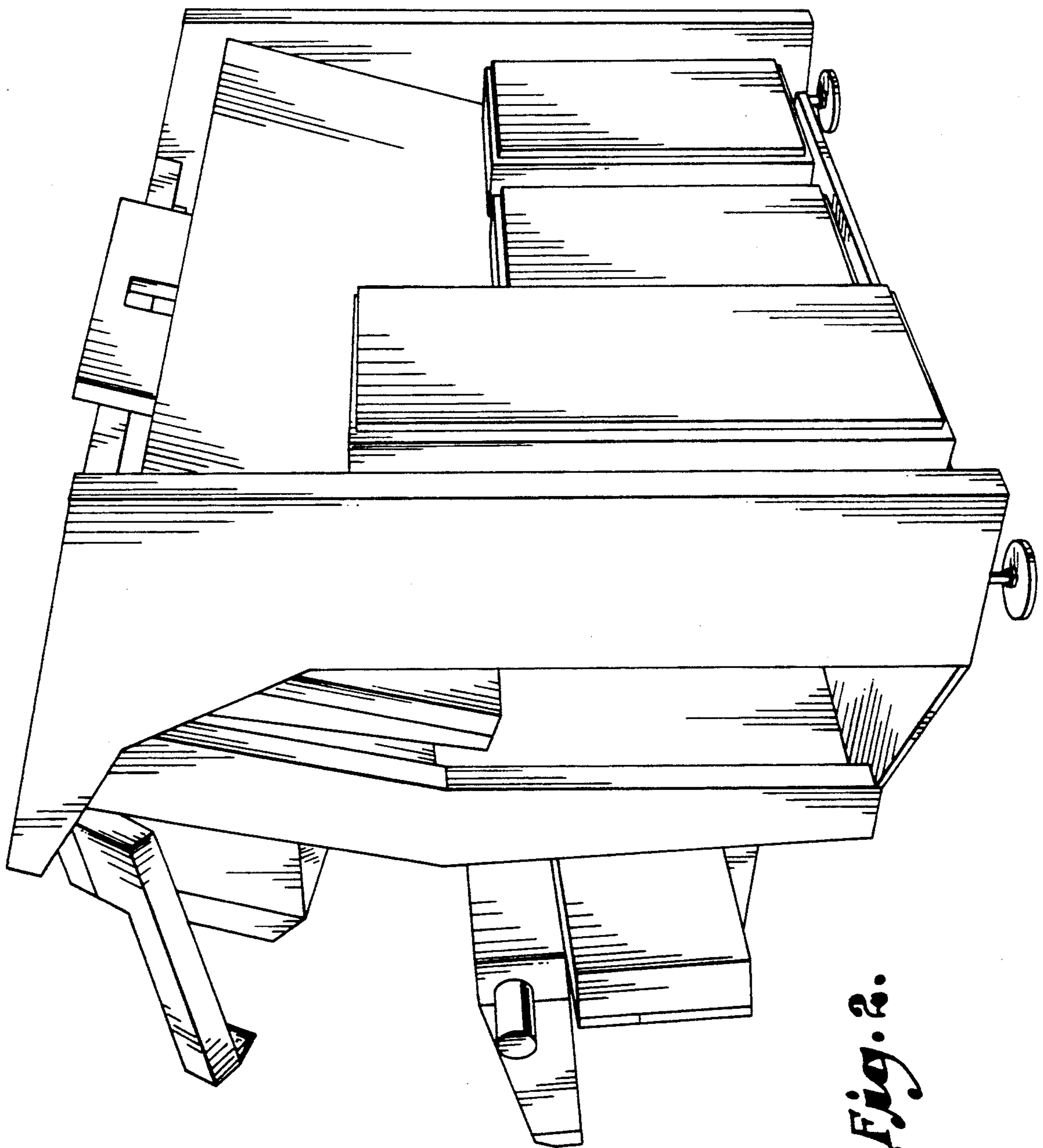


Fig. 2.

Fig. 3.

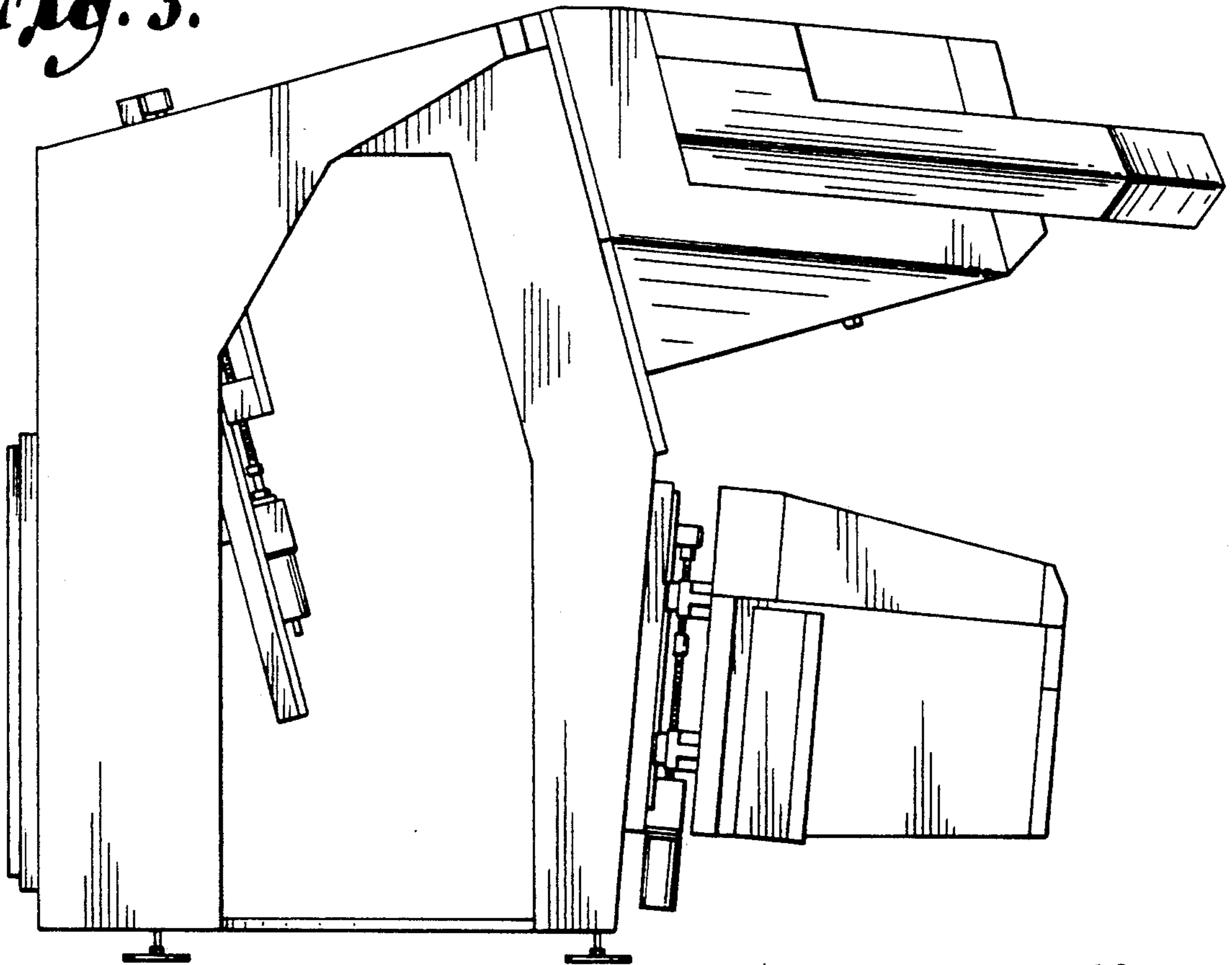
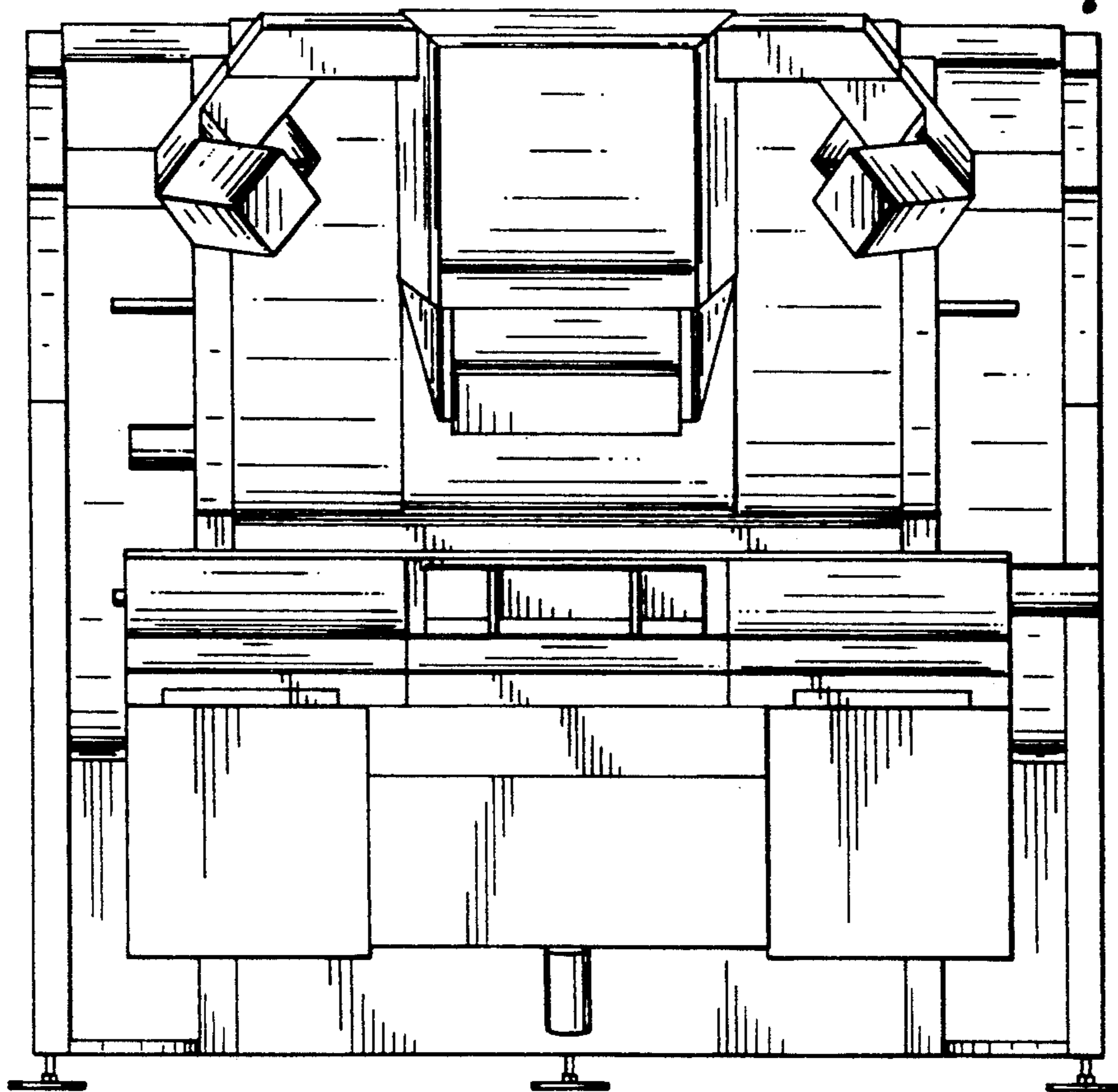


Fig. 4.



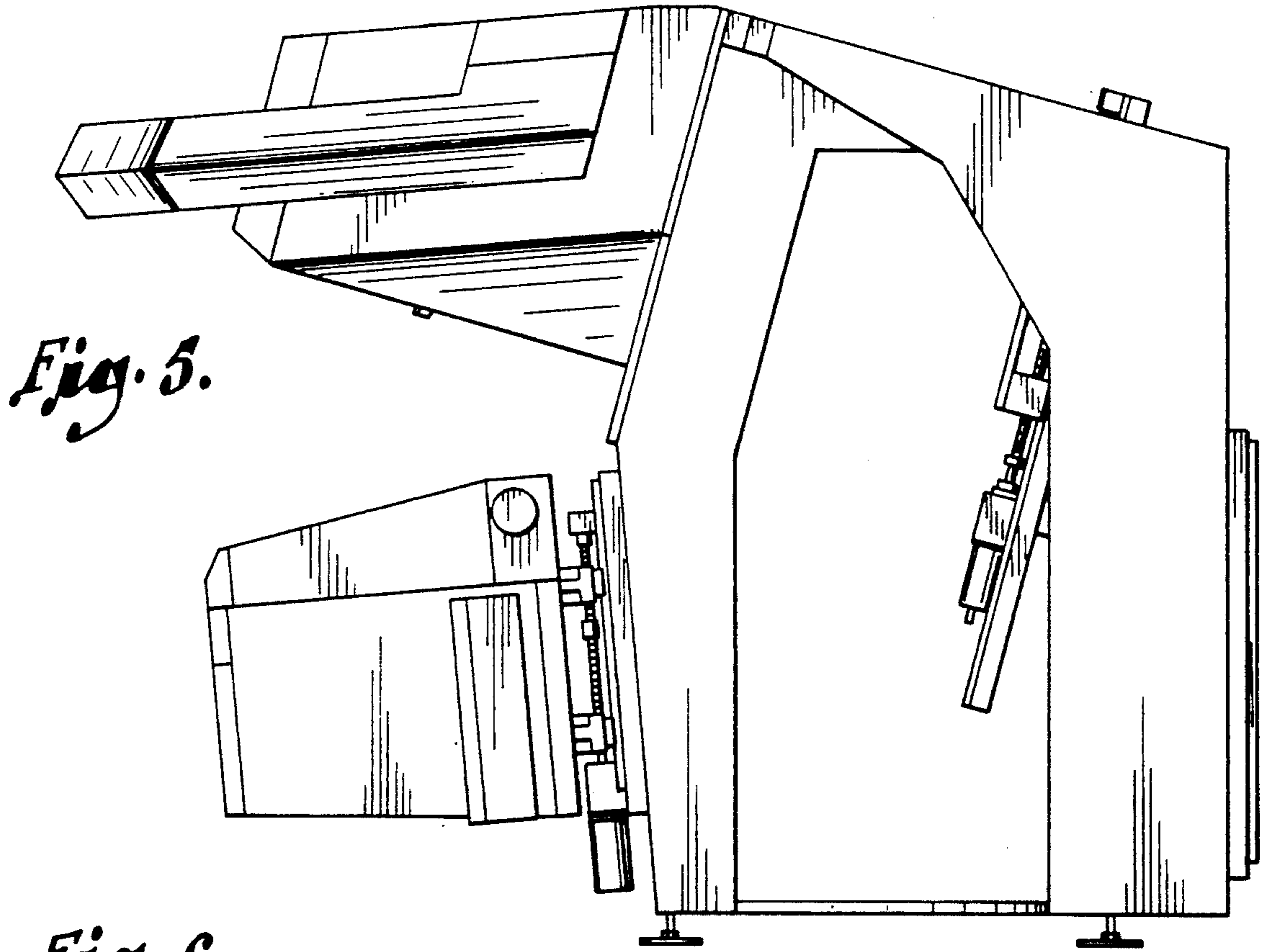
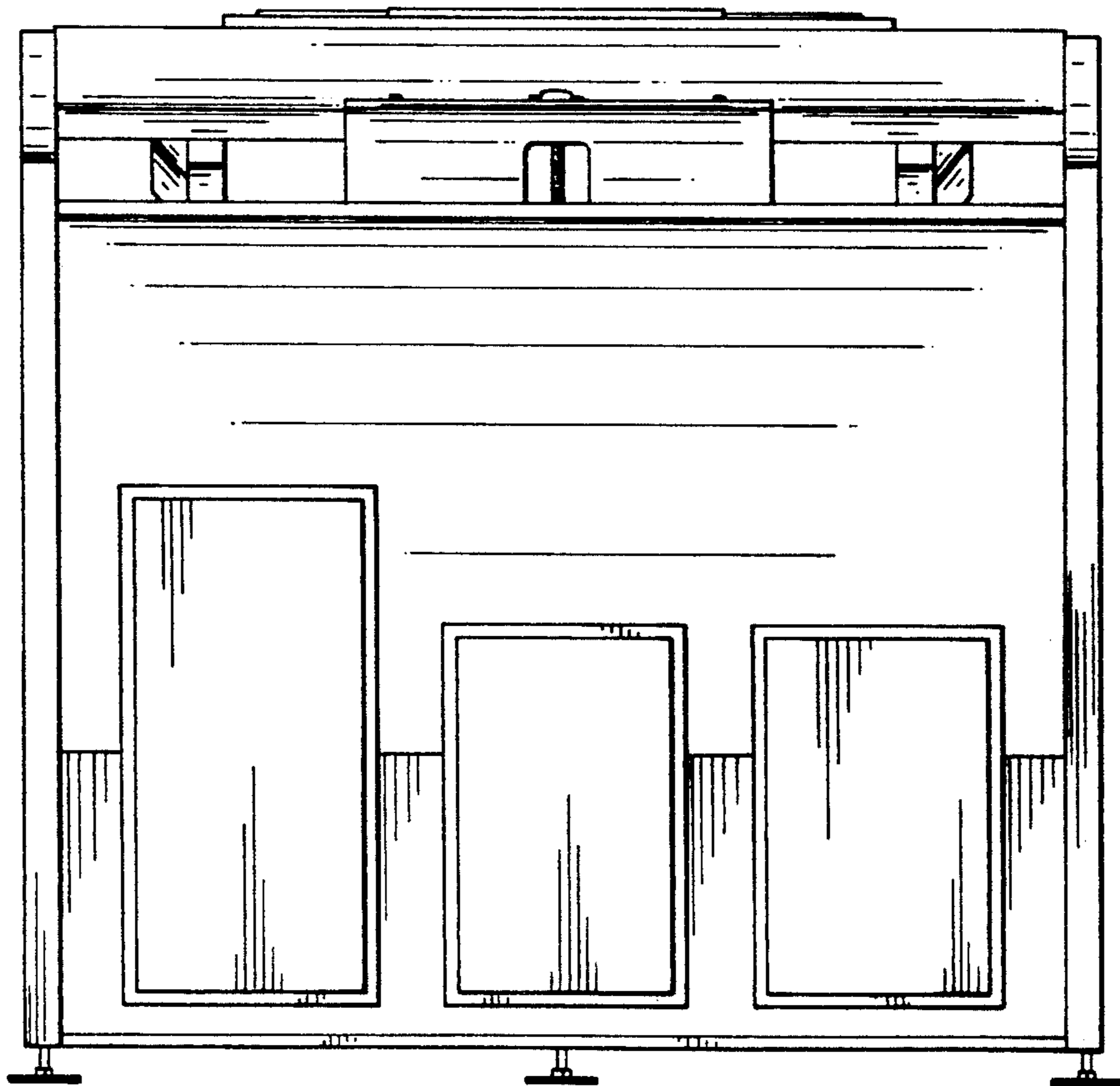


Fig. 5.

Fig. 6.



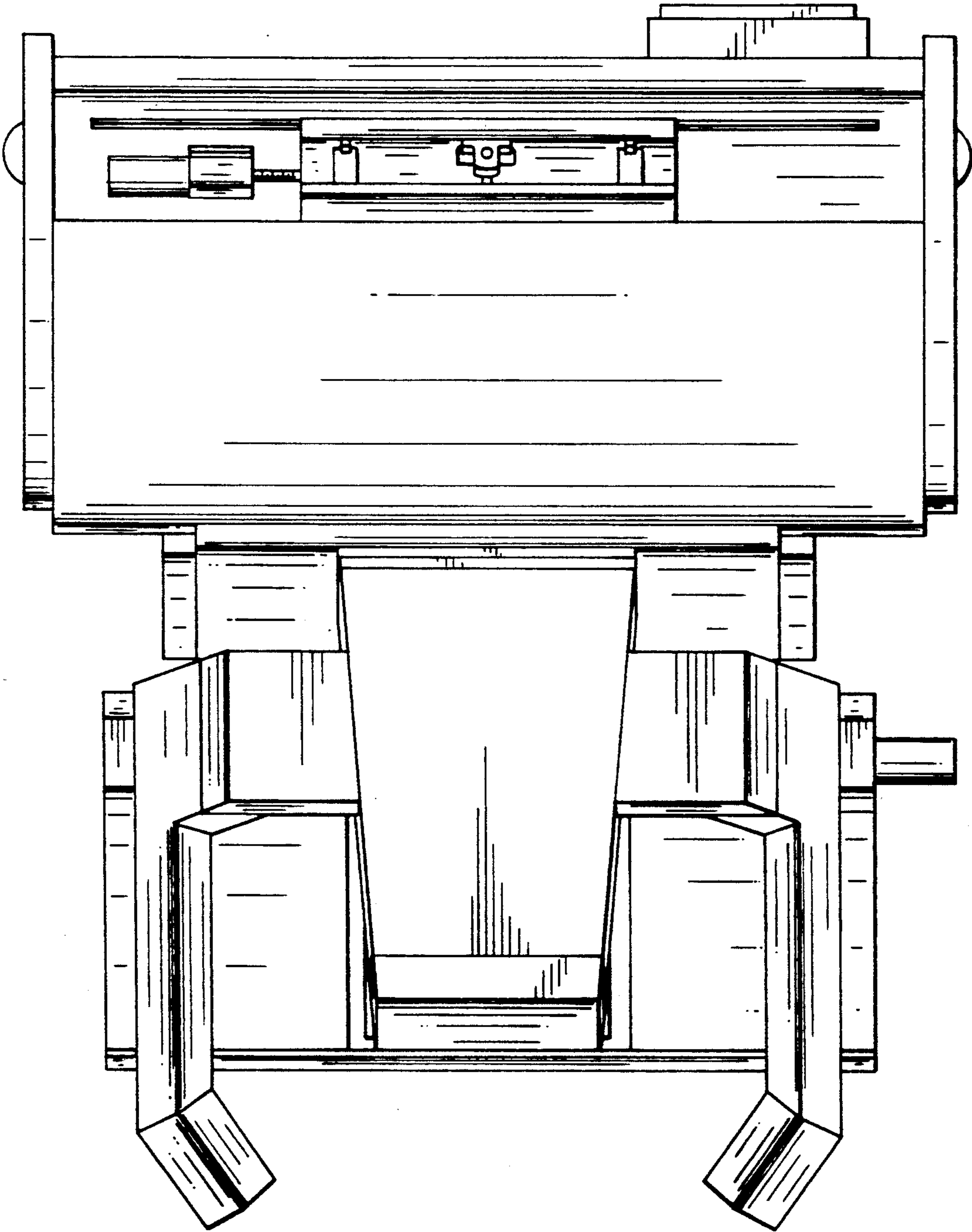


Fig. 7.