



US00D332270S

United States Patent [19] Hefty

[11] Patent Number: **Des. 332,270**
[45] Date of Patent: **** Jan. 5, 1993**

[54] **COMBINED LAWN MOWER, COMPACTOR AND PICKUP DEVICE**

4,064,680 12/1977 Fleigle 56/320.2
4,069,649 1/1978 Mullet .
4,103,477 8/1978 Mullet .

[76] Inventor: **Mary Hefty, 425 SE. 8th St.,
Ephrata, Wash. 09923**

OTHER PUBLICATIONS

Wards Summertime Valve Catalog, p. 8, Electric Mower, bottom right.

[**] Term: **14 Years**

Primary Examiner—Bernard Ansher
Assistant Examiner—Sandra Morris
Attorney, Agent, or Firm—Terry M. Gernstein

[21] Appl. No.: **598,327**

[22] Filed: **Oct. 16, 1990**

[52] U.S. Cl. **D15/14; D15/10**

[58] Field of Search **D15/14-17,
D15/10, 20; 56/11.8, 13.4, 16.7, 17.5, 202, 255,
320.2**

[57] CLAIM

The ornamental design for a combined lawn mower, compactor and pickup device, as shown and described.

[56] References Cited

U.S. PATENT DOCUMENTS

D. 234,815	4/1975	Mackissic	D15/10
D. 249,519	9/1978	Haffner et al.	D15/14
D. 249,690	9/1978	Thomas	D15/14
D. 252,205	6/1979	Knight	D15/14
3,855,763	12/1974	Seifert et al.	56/320.2
3,905,289	9/1975	Engbresten .	
4,051,648	10/1977	Uhlinger et al.	56/255

DESCRIPTION

FIG. 1 is a perspective view of a combined lawn mower, compactor and pickup device showing my new design;
FIG. 2 is a bottom plan view thereof;
FIG. 3 is a right side elevational view thereof;
FIG. 4 is a top plan view thereof;
FIG. 5 is a front end elevational view thereof; and,
FIG. 6 is a back end elevational view thereof.

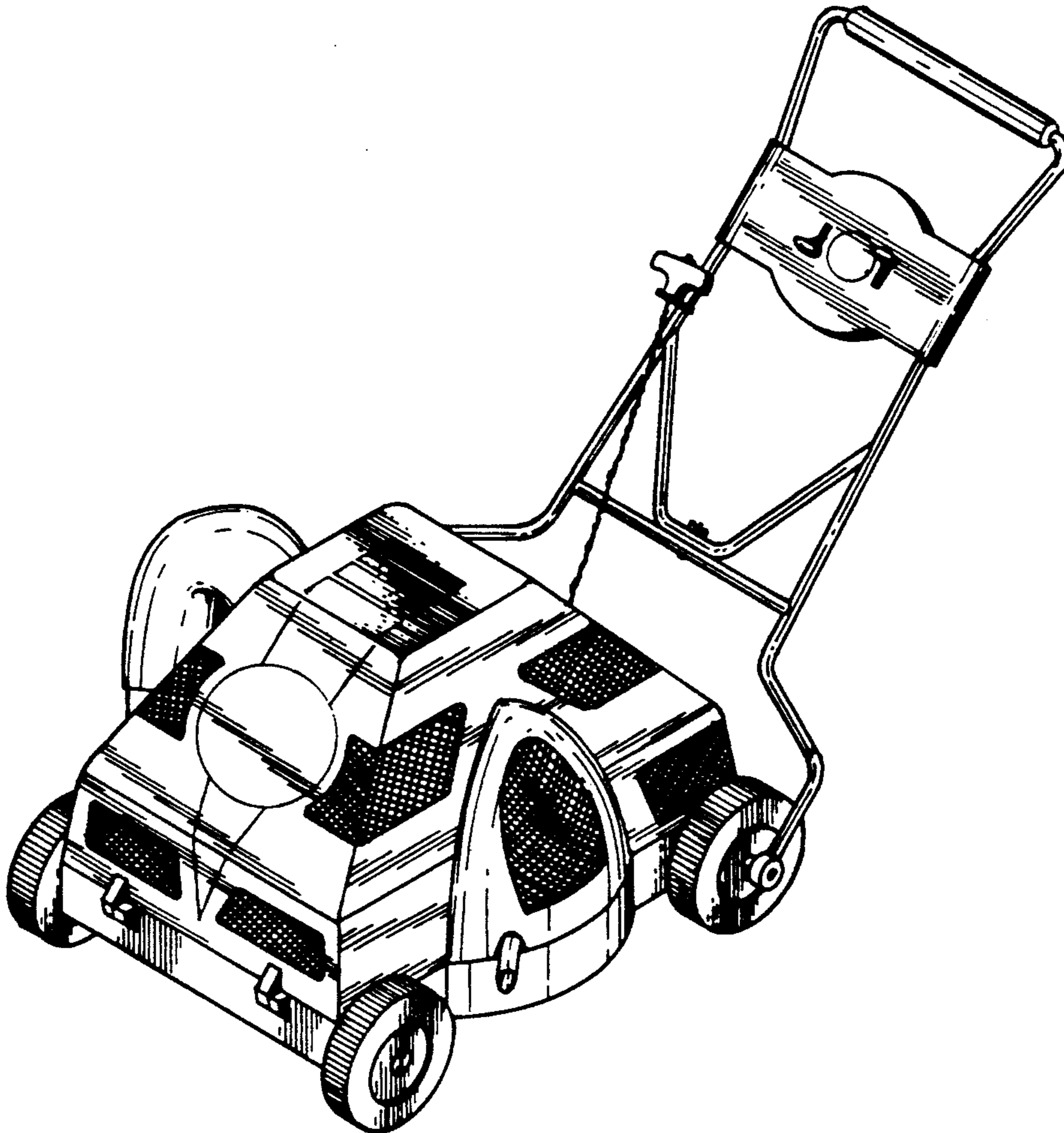


FIG. 1

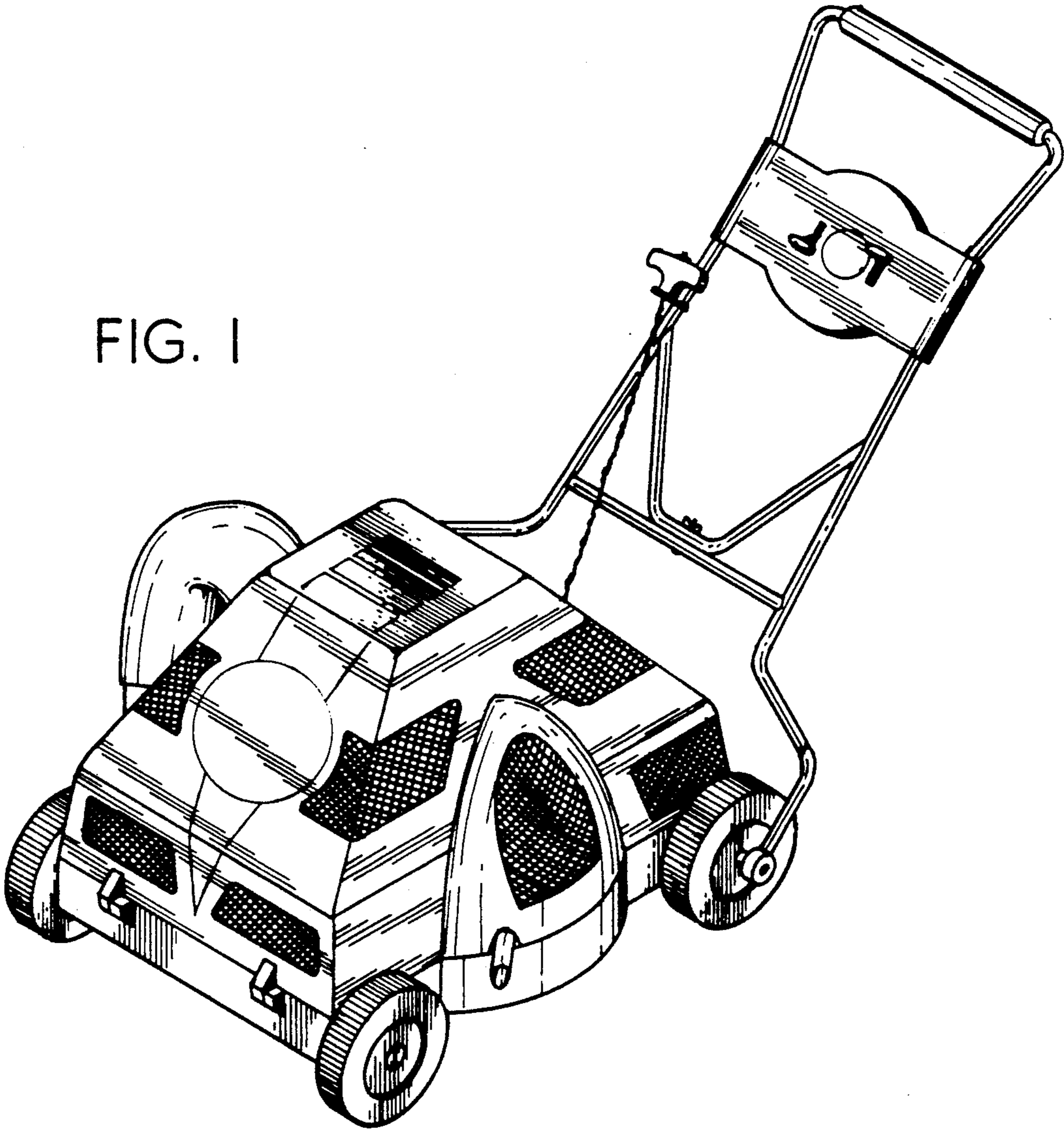
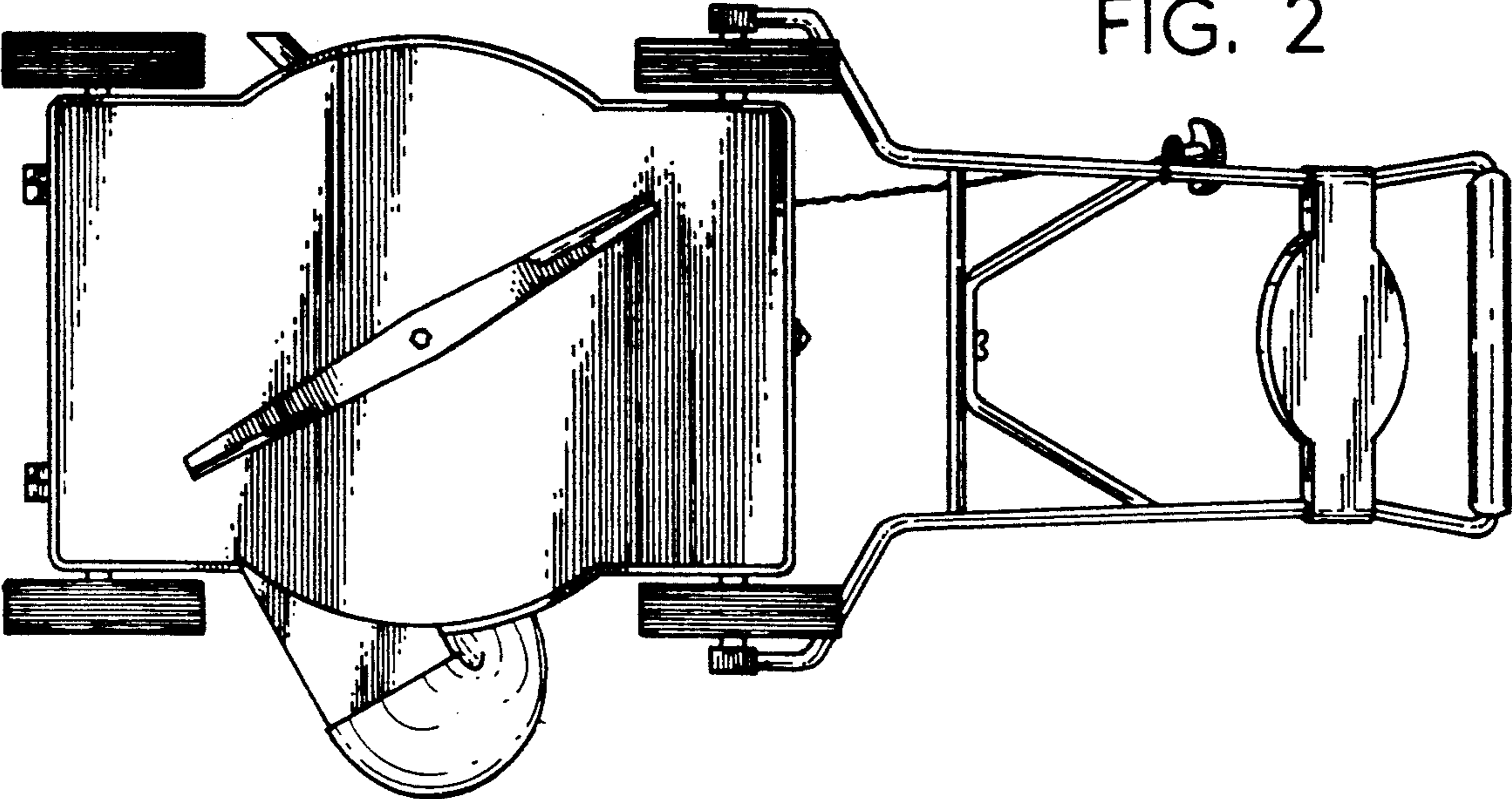
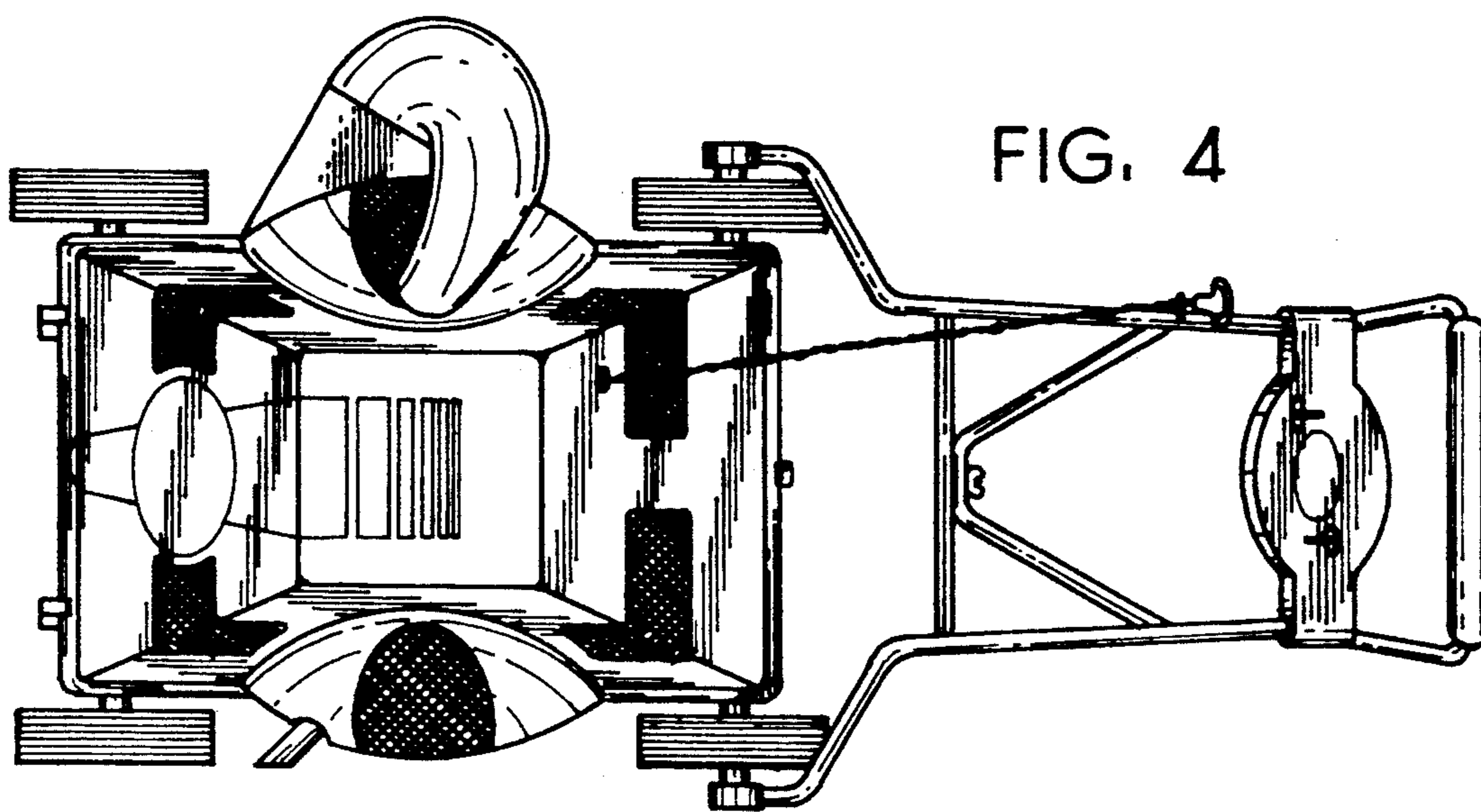
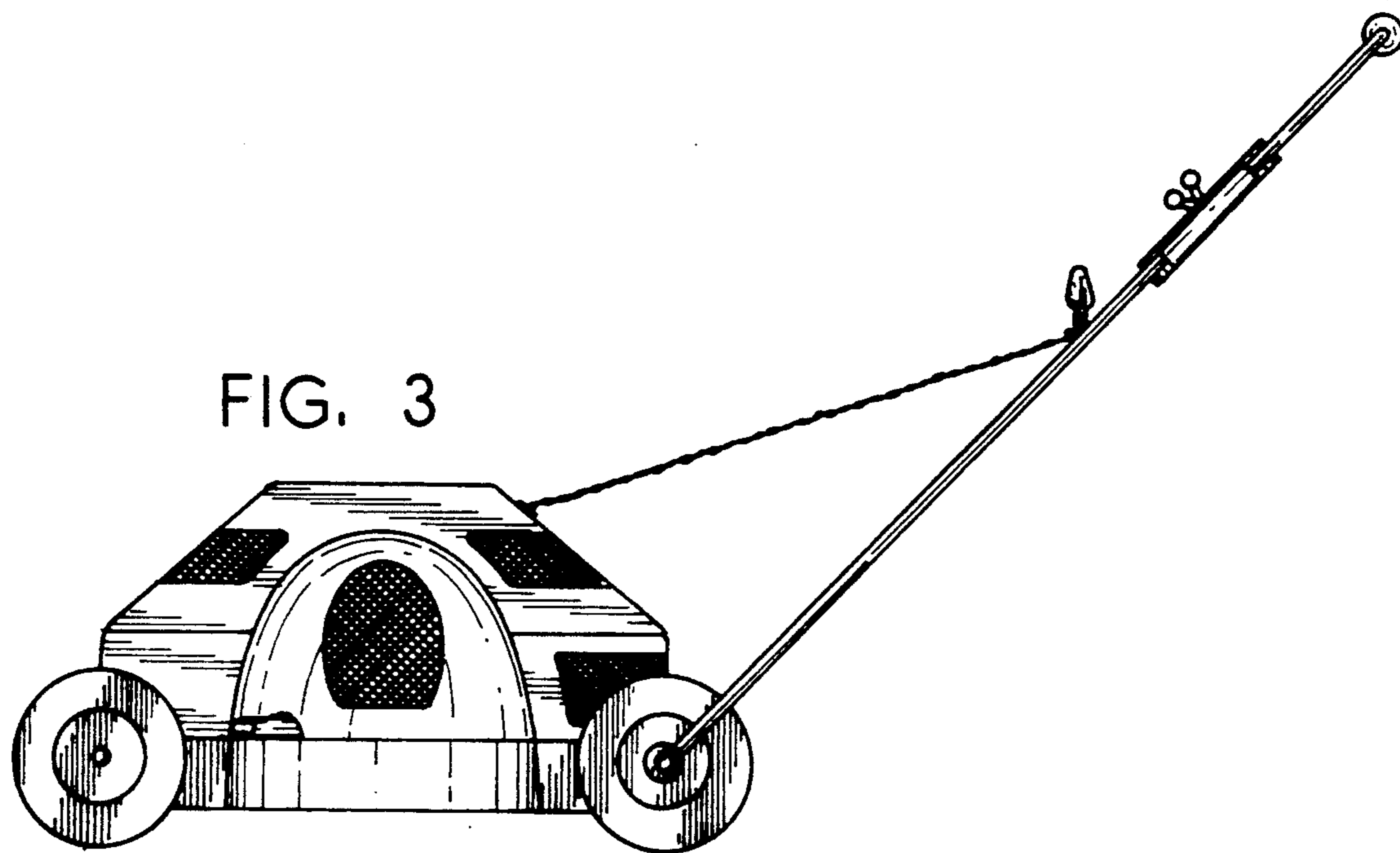


FIG. 2





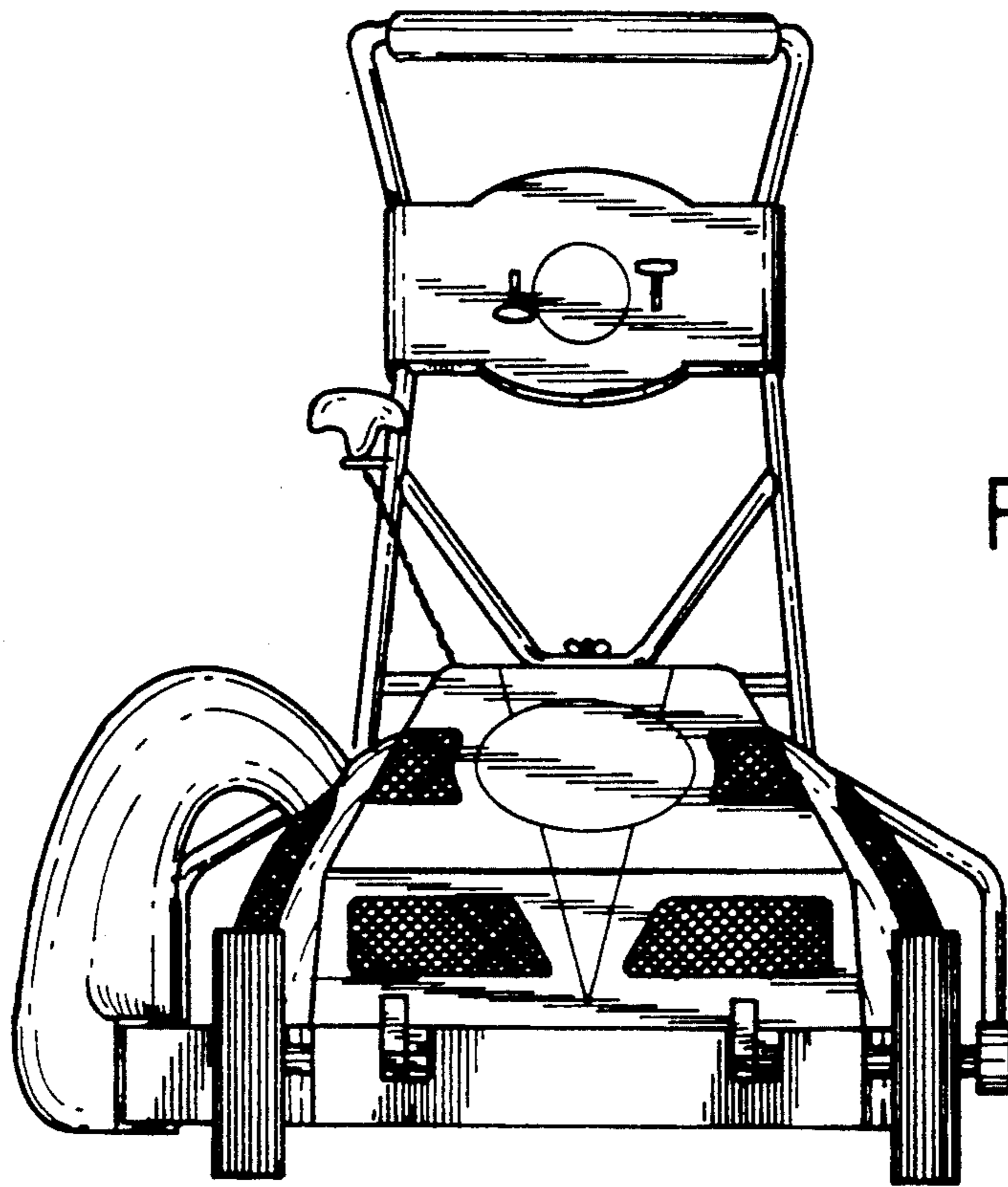


FIG. 5

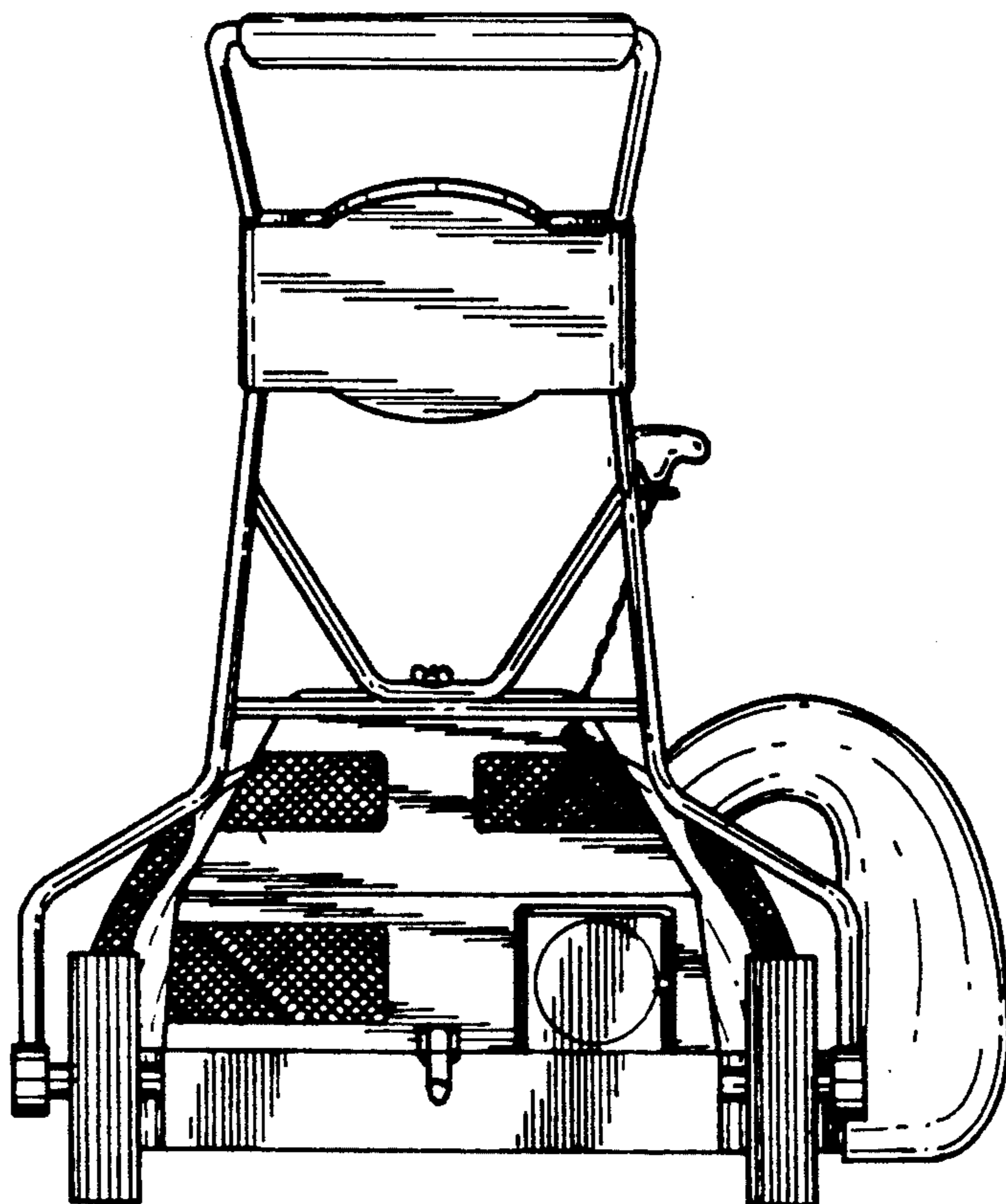


FIG. 6