



US00D332269S

United States Patent [19]

Cook et al.

[11] Patent Number: Des. 332,269

[45] Date of Patent: ** Jan. 5, 1993

[54] PUMP

[76] Inventors: **James E. Cook**, 418 Rice St., Anoka, Minn. 55303; **O. Harald S. Eriksen**, 6219 Zealand Ave. N., Brooklyn Park, Minn. 55428

[**] Term: 14 Years

[21] Appl. No.: 642,378

[22] Filed: Jan. 17, 1991

[52] U.S. Cl. D15/7

[58] Field of Search D15/5-9.1, D15/1; 417/83, 187, 188, 360, 361, 462, 552, 396, 410, 900, 151, 54, 181

[56] **References Cited**

U.S. PATENT DOCUMENTS

- D. 135,483 4/1943 Tucker D15/7
- D. 204,577 4/1966 Swanston D15/7
- D. 243,796 3/1977 Pareja D15/7

- 4,749,343 6/1988 Brown 417/552
- 4,921,409 5/1990 Besic 417/552
- 4,963,073 10/1990 Tush et al. 417/151
- 5,025,958 6/1991 Montaner et al. 417/552

Primary Examiner—A. Hugo Word
Assistant Examiner—R. Seifert
Attorney, Agent, or Firm—Roger W. Jensen

[57] **CLAIM**

The ornamental design for a pump, as shown and described.

DESCRIPTION

FIG. 1 is a top perspective view of a pump showing our new design;
FIG. 2 is a bottom plan view;
FIG. 3 is a left side elevational view;
FIG. 4 is a left end elevational view;
FIG. 5 is a top plan view;
FIG. 6 is a right end elevational view; and,
FIG. 7 is a right side elevational view.

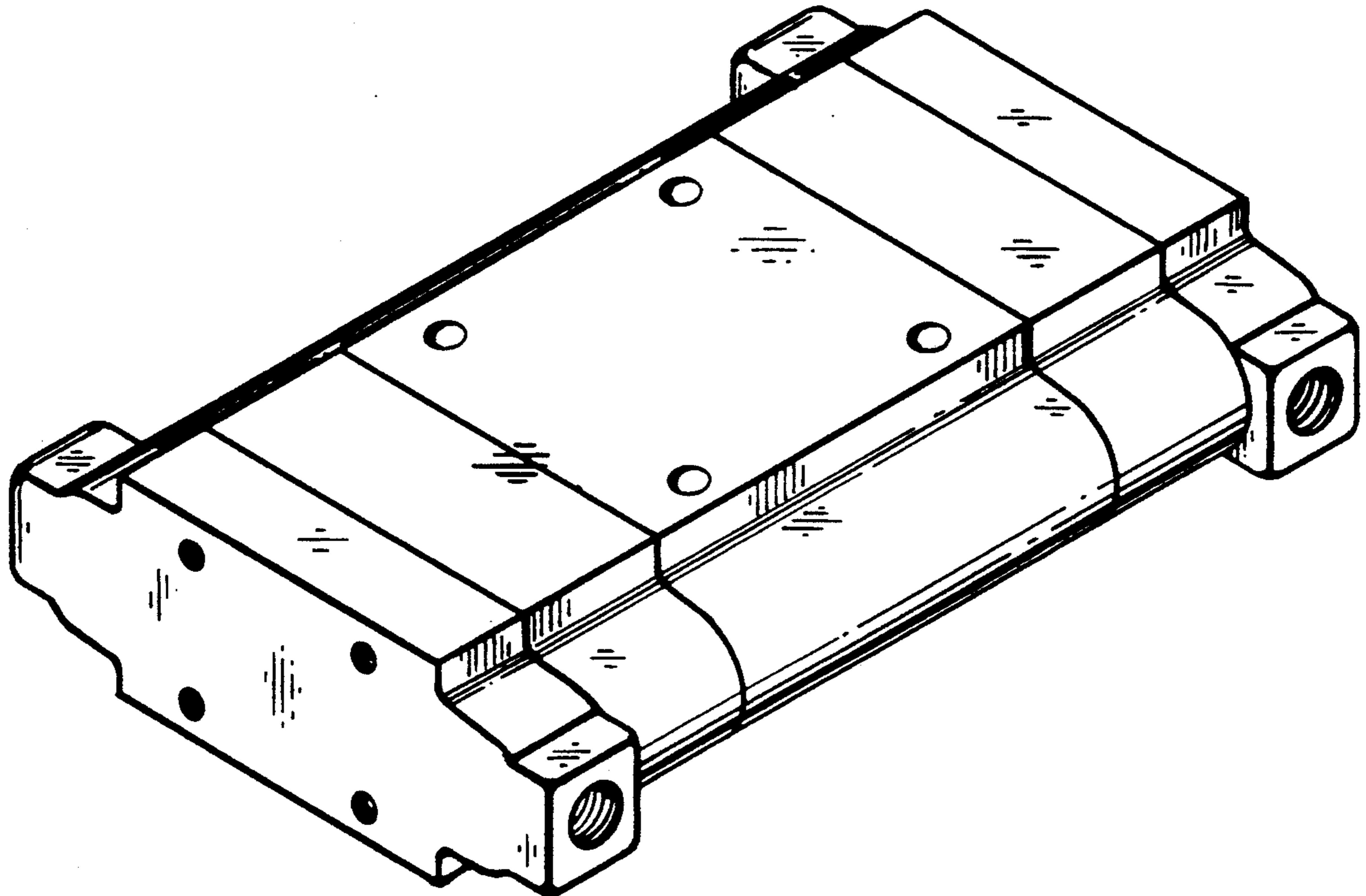


FIG. 1

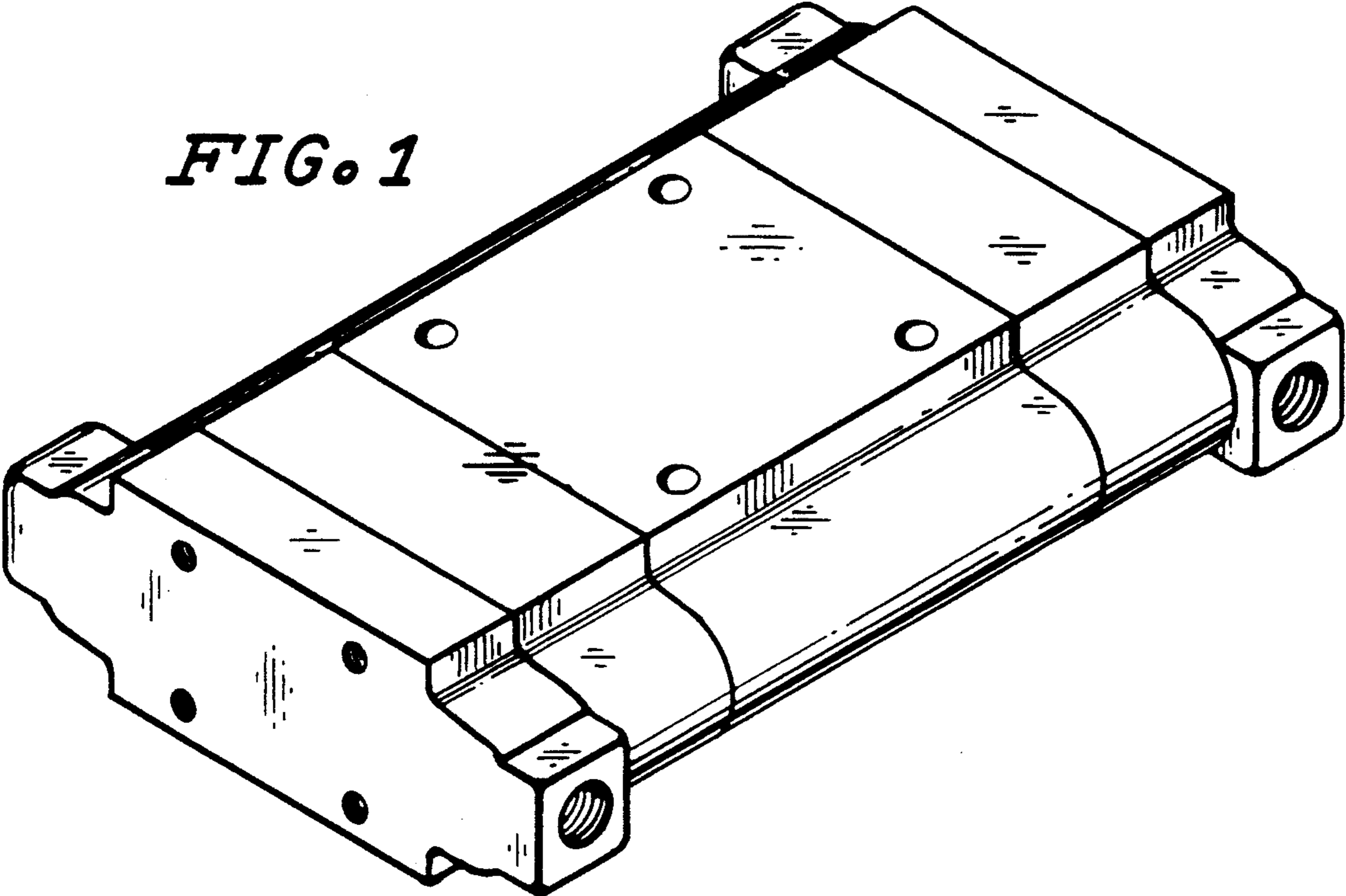


FIG. 2

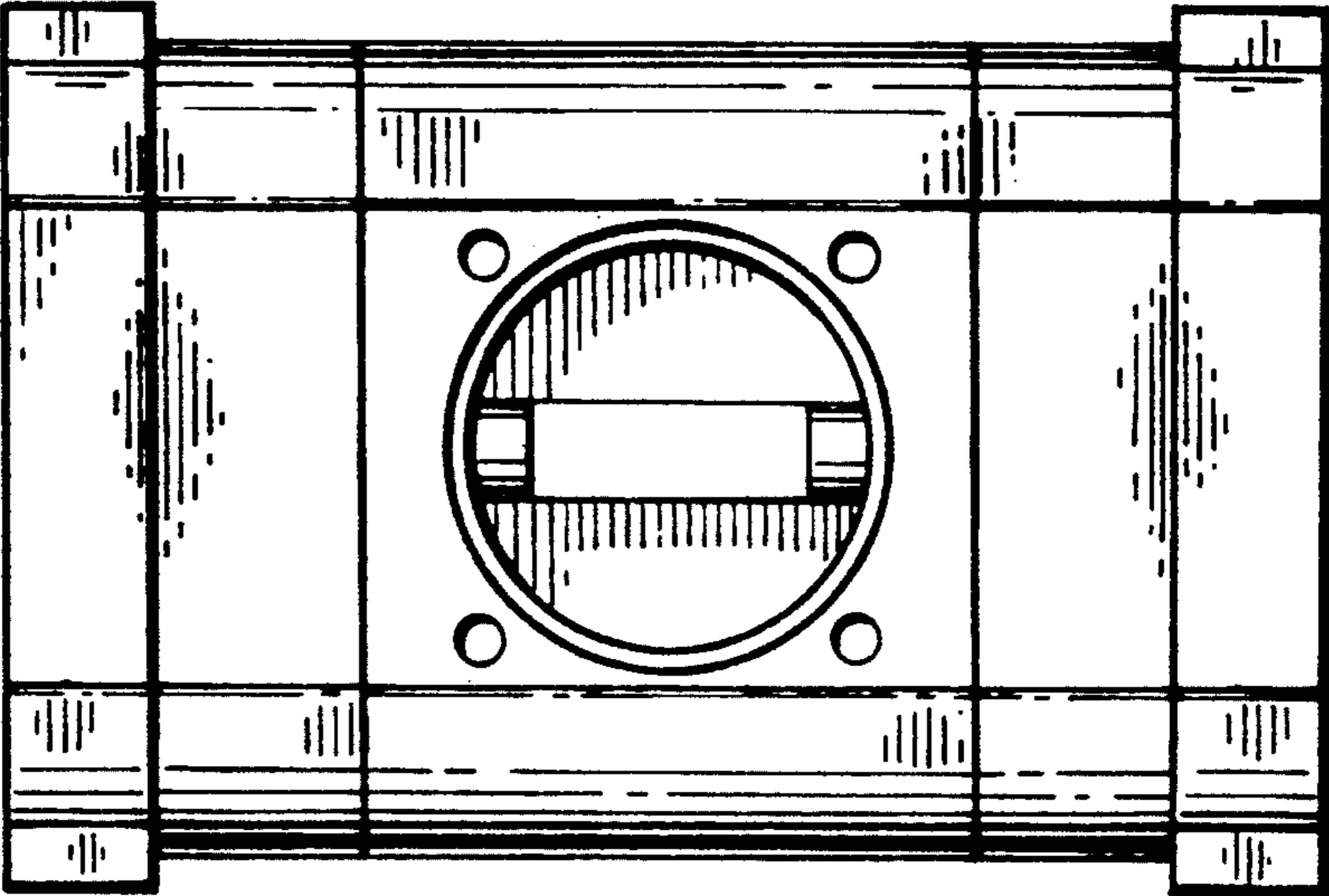


FIG. 3

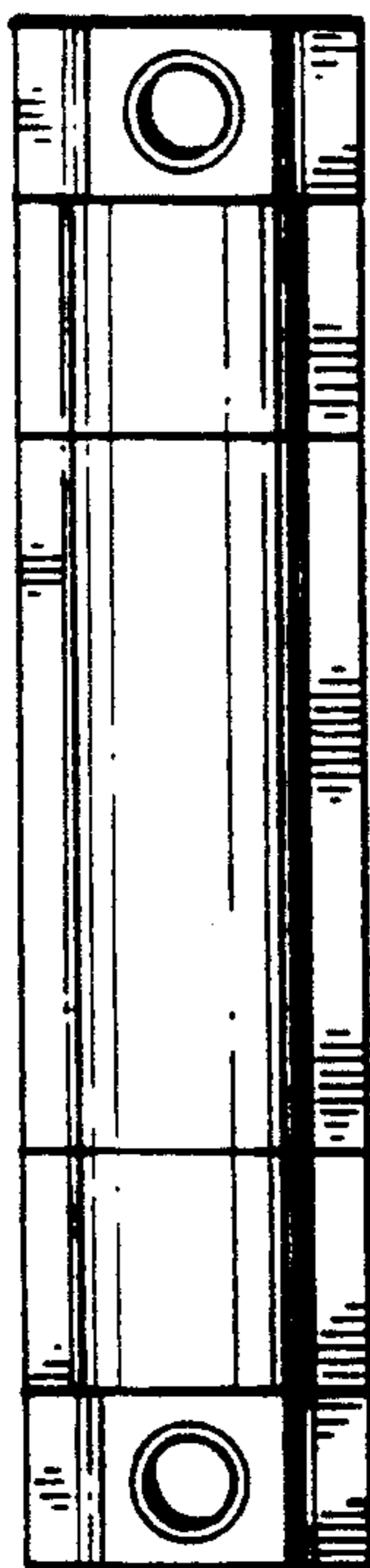


FIG. 5

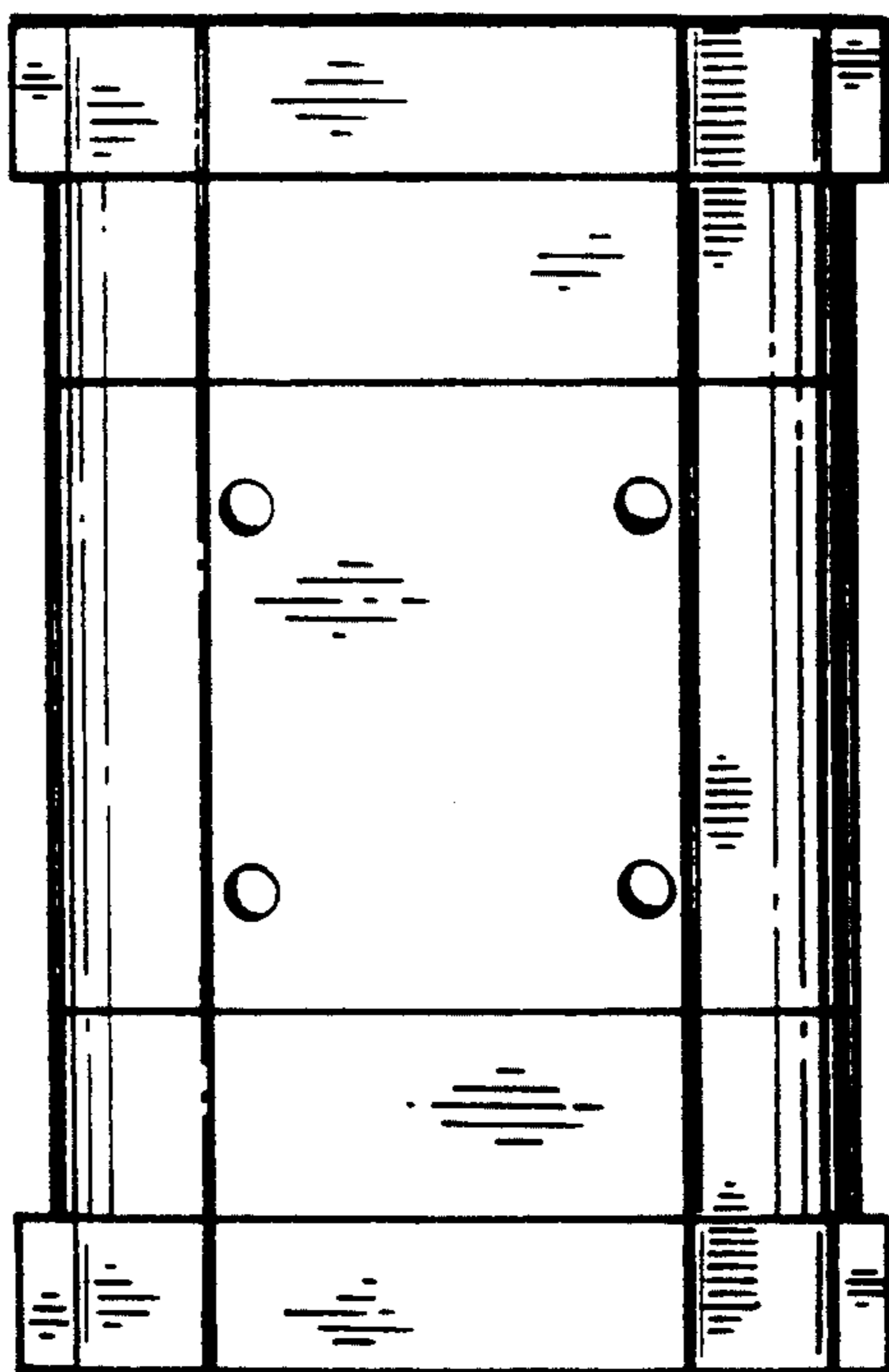


FIG. 6

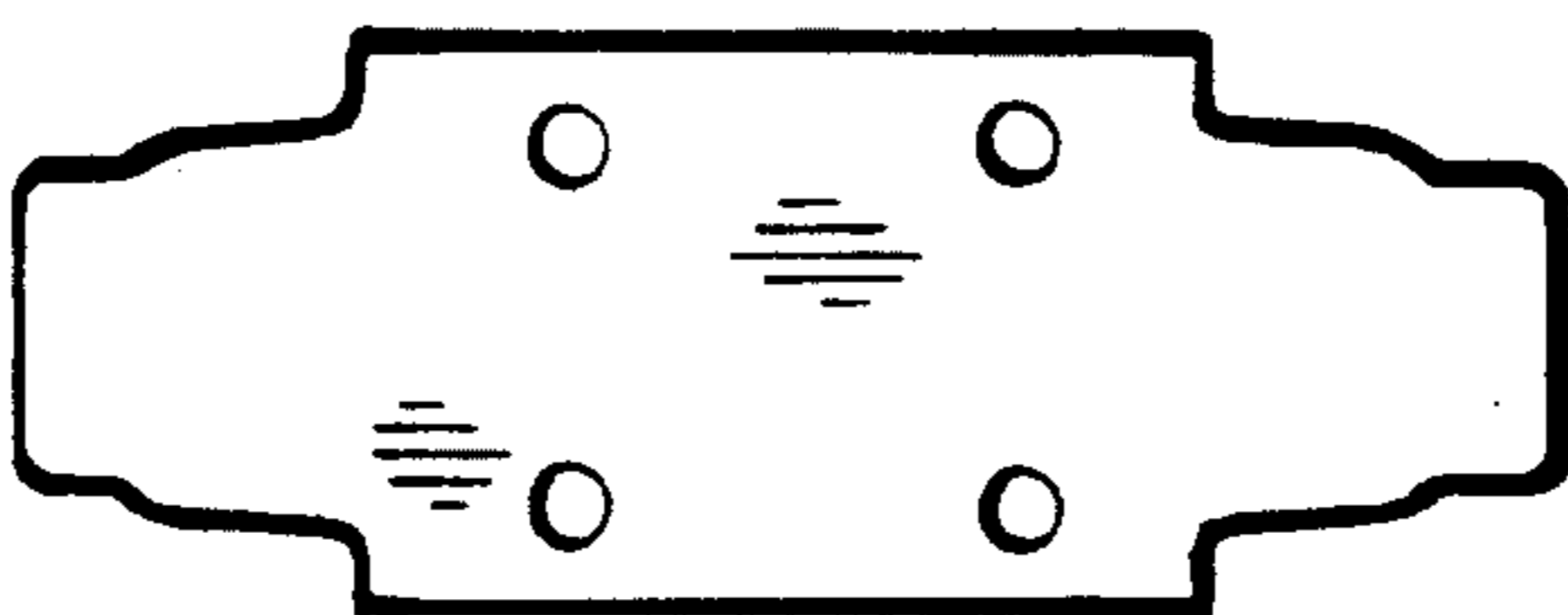


FIG. 4

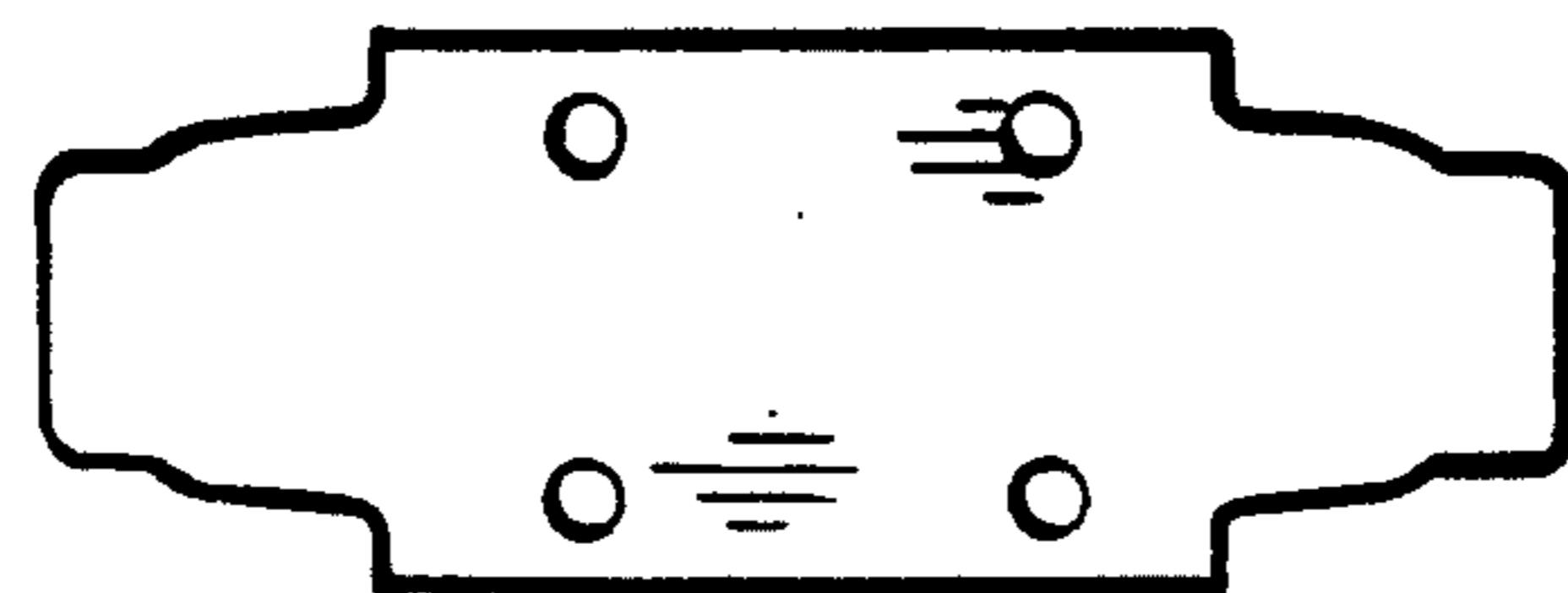


FIG. 7

