



US00D332268S

United States Patent [19]

[11] Patent Number: **Des. 332,268**

Cook et al.

[45] Date of Patent: **** Jan. 5, 1993**

[54] PUMP

[76] Inventors: **James E. Cook**, 418 Rice St., Anoka, Minn. 55303; **O. Harald S. Eriksen**, 6219 Zealand Ave. North, Brooklyn Park, Minn. 55428

D. 295,753	5/1988	LaBair	D15/7
D. 301,583	6/1989	Herner	D15/7
D. 303,393	9/1989	Stoll	D15/7
D. 308,207	5/1990	Burke	D15/7
D. 317,164	5/1991	Kienholz	D15/7
4,897,023	1/1990	Bingler	417/360

[**] Term: **14 Years**

Primary Examiner—A. Hugo Word
Assistant Examiner—R. Seifert
Attorney, Agent, or Firm—Roger W. Jensen

[21] Appl. No.: **487,242**

[22] Filed: **Mar. 2, 1990**

[57] CLAIM

[52] U.S. Cl. **D15/7**

The ornamental design for a pump, as shown and described.

[58] Field of Search **D15/7-9.3,**
D15/5; 417/68, 69, 83, 87, 88, 145, 187, 188,
321, 360, 361, 390-404, 410, 411, 423.3,
424.1-424.2, 552, 900, 415, 418, 534-536

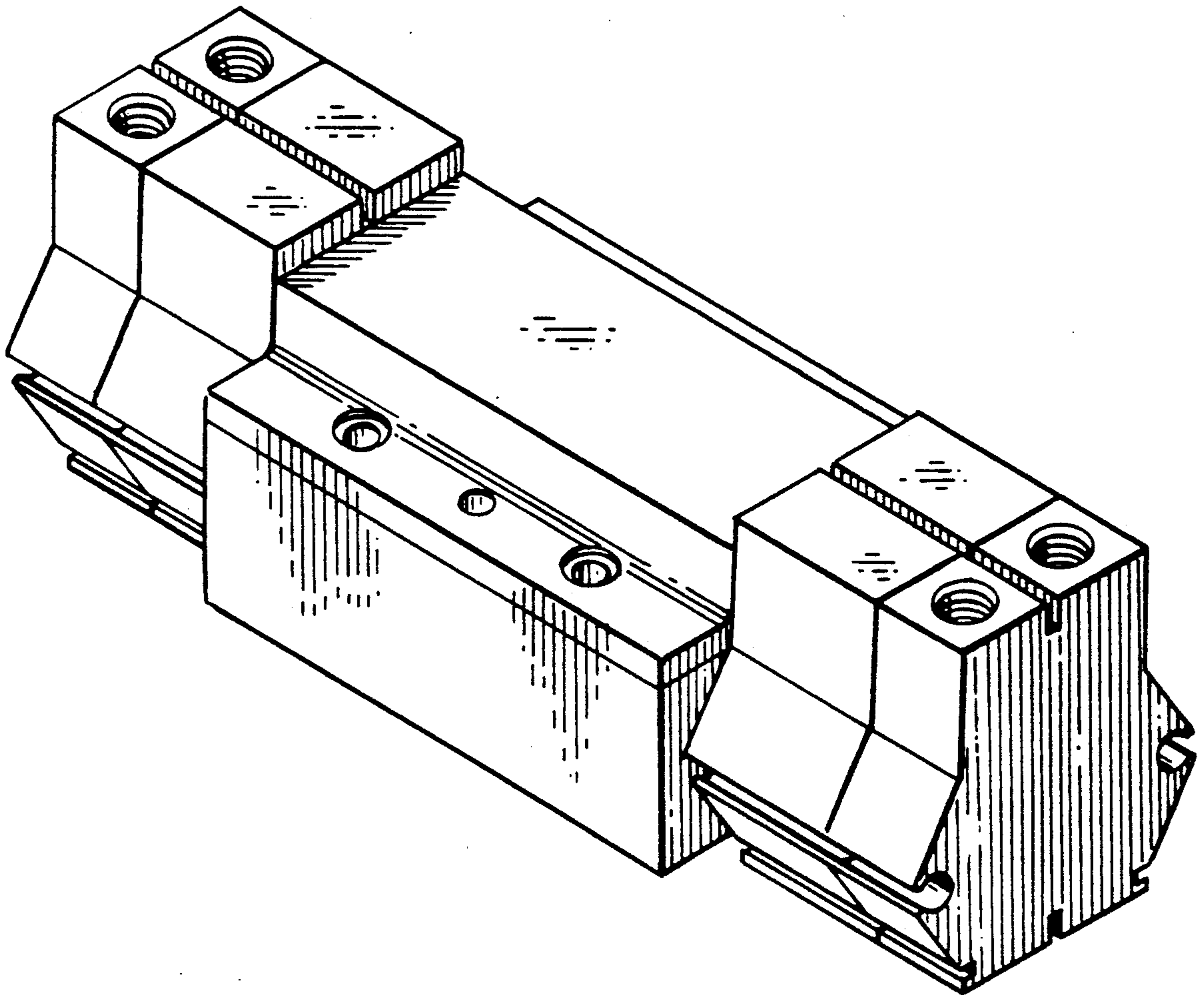
DESCRIPTION

[56] References Cited

U.S. PATENT DOCUMENTS

D. 195,748	7/1963	Lorenz	D15/7
D. 244,681	6/1977	Bell	D15/7
D. 264,972	6/1982	McMillin et al.	D15/7
D. 295,049	4/1988	Kanno	D15/7
D. 295,180	4/1988	Kanno	D15/7

FIG. 1 is a top right side perspective view of a pump showing our new design;
FIG. 2 is a bottom plan view;
FIG. 3 is a left end elevational view;
FIG. 4 is a top plan view;
FIG. 5 is a right end elevational view;
FIG. 6 is a left side elevational view;
FIG. 7 is a right side elevational view; and,
FIG. 8 is a bottom left side perspective view.



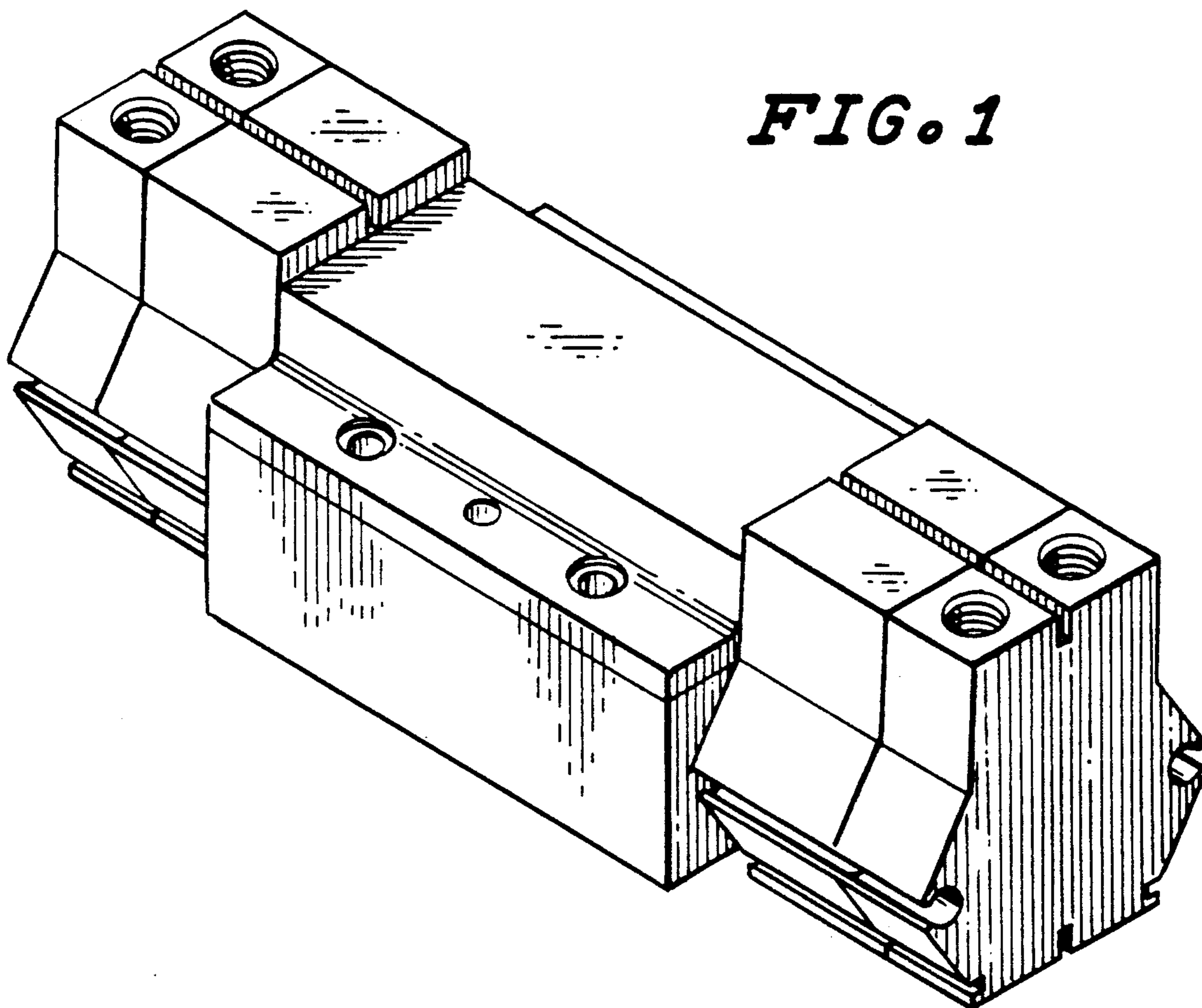


FIG. 2

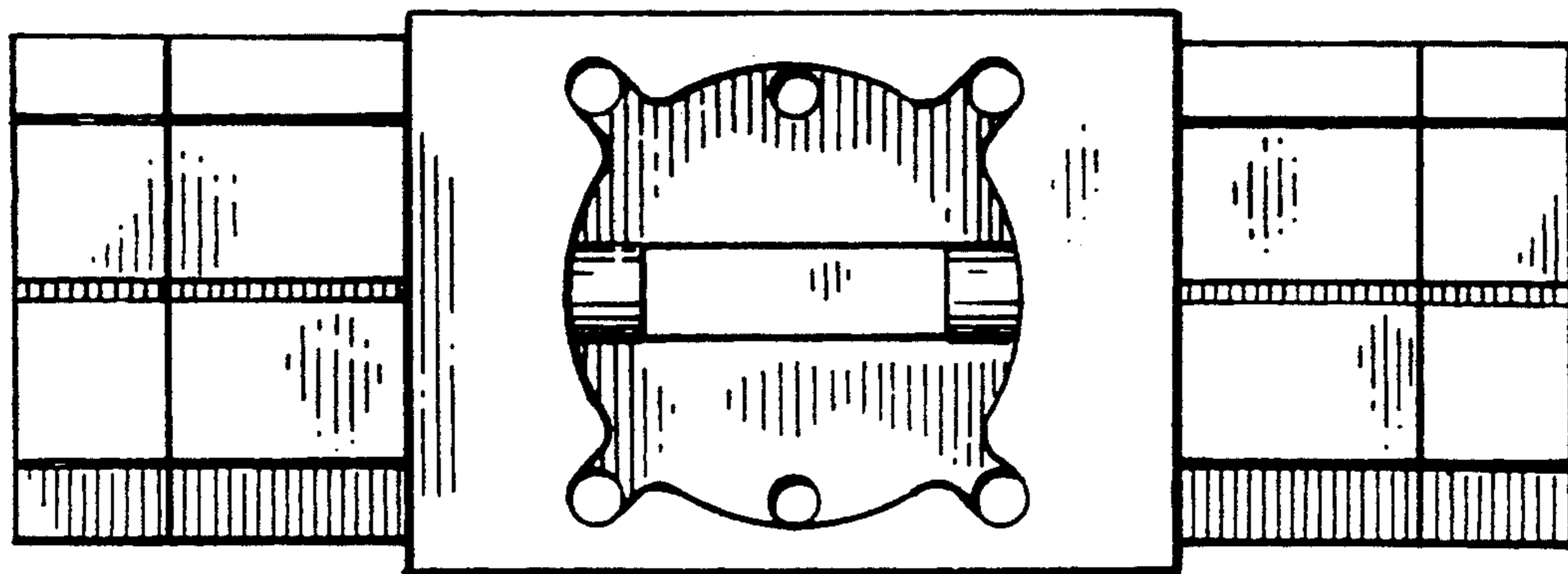


FIG. 6

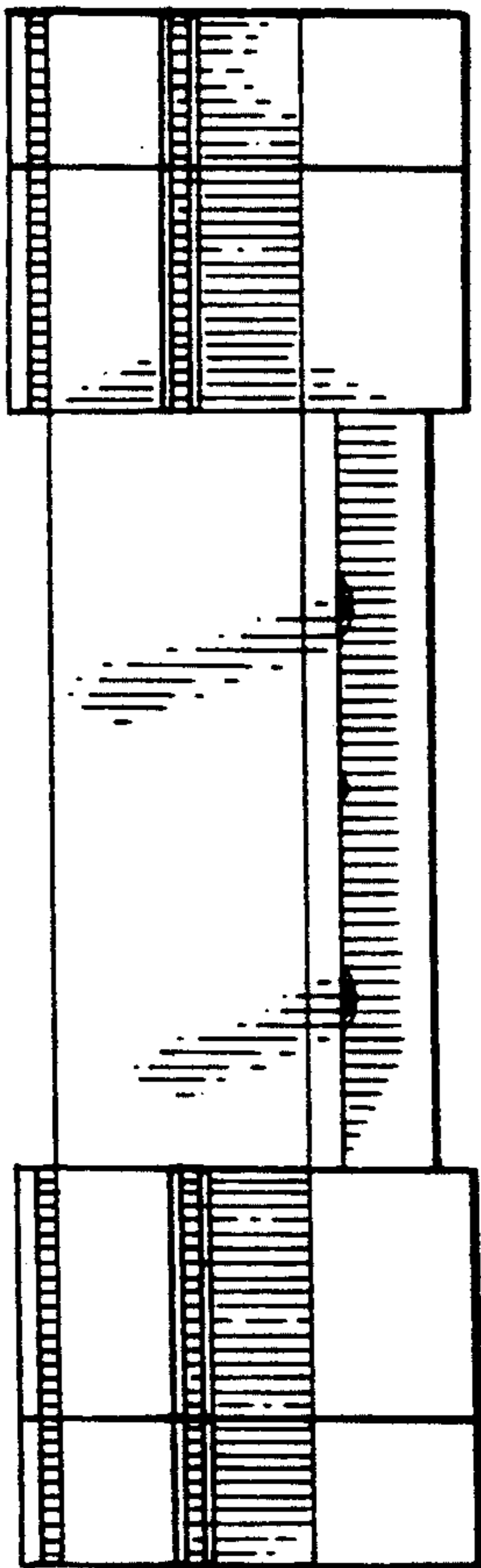


FIG. 3

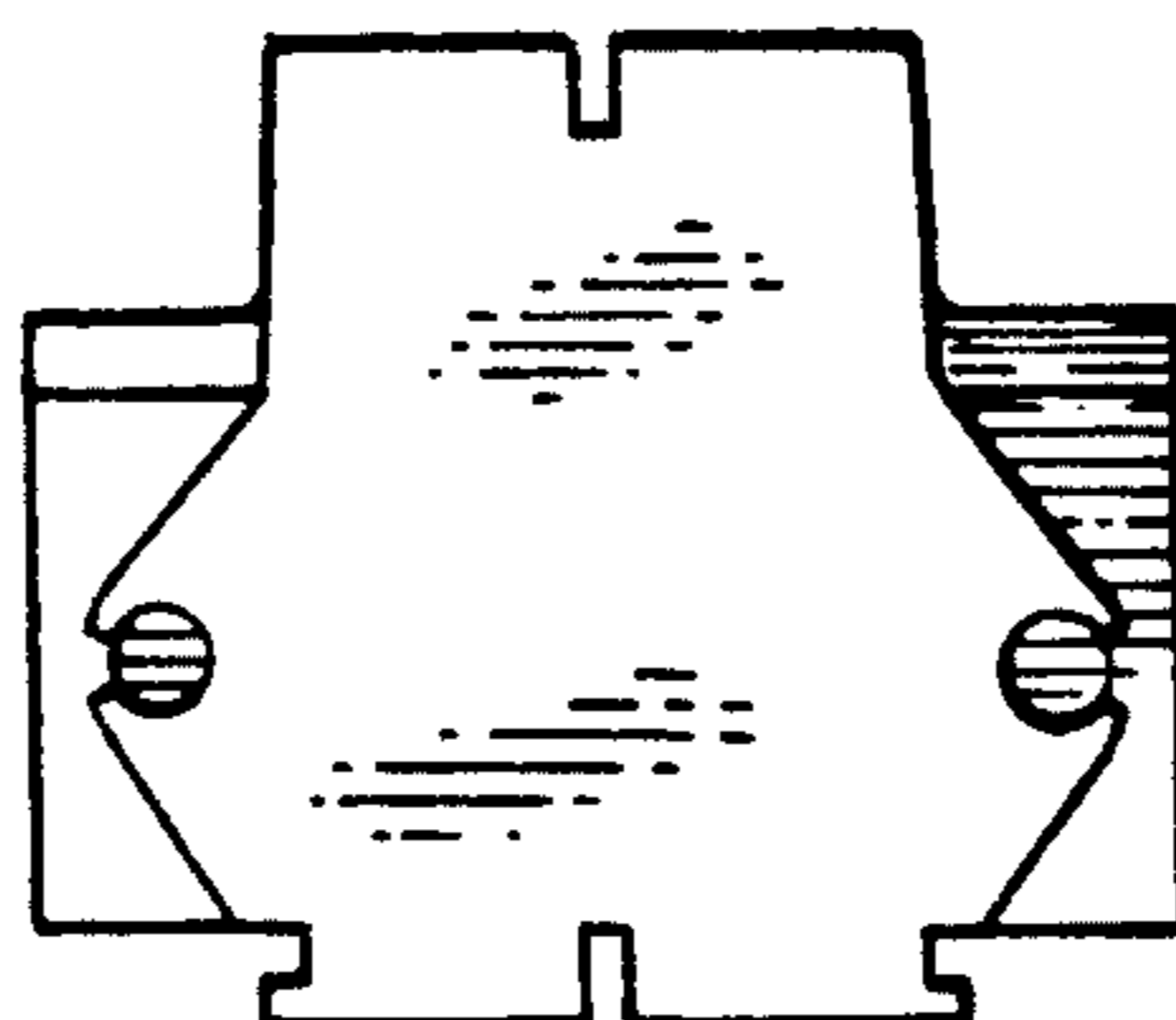


FIG. 4

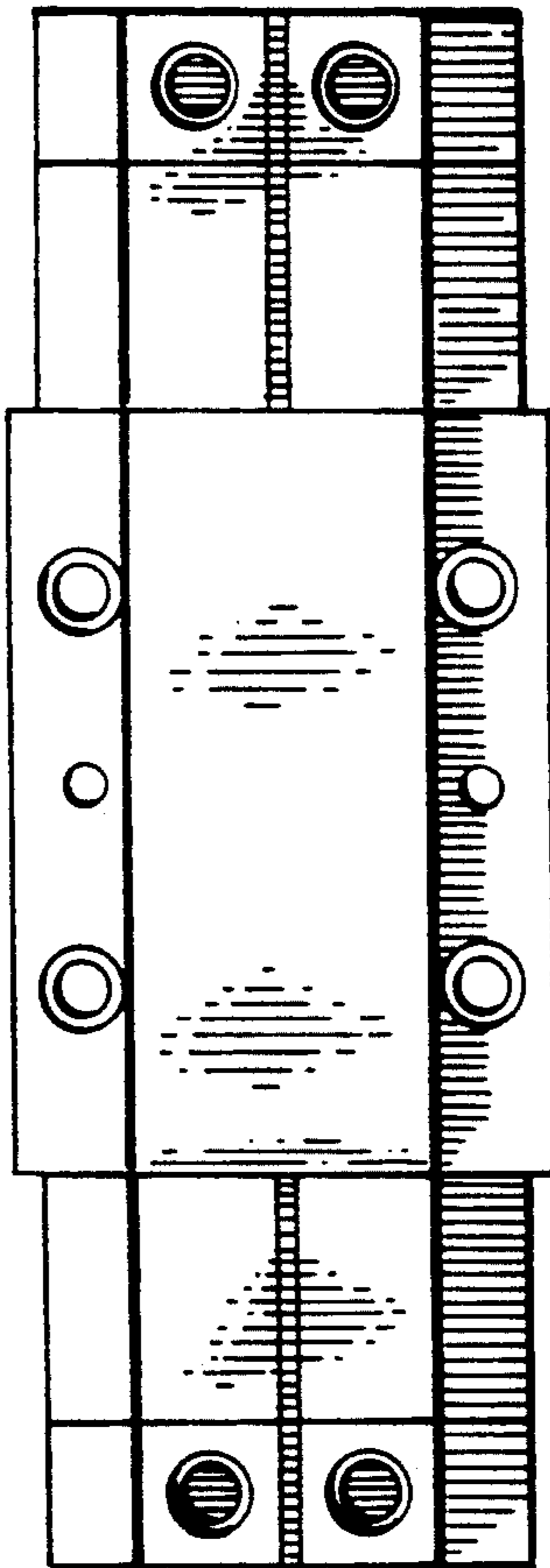


FIG. 5

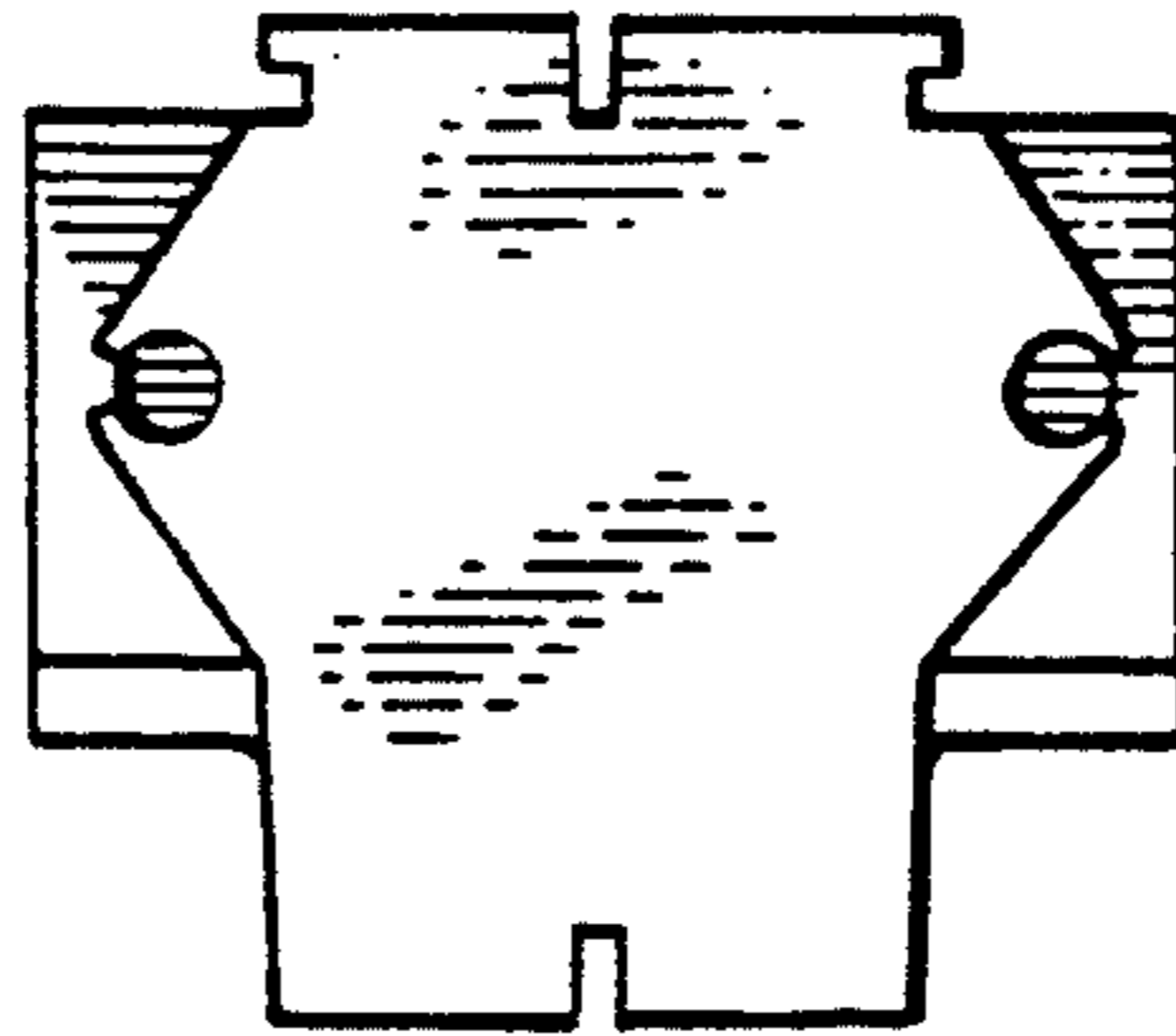


FIG. 7

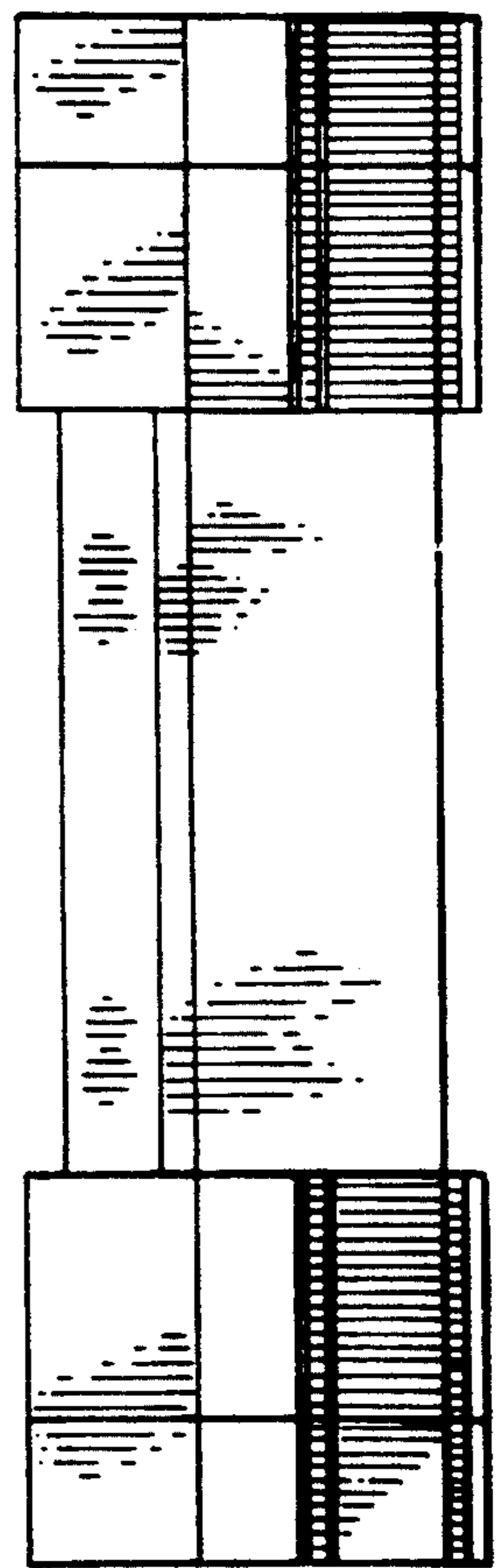


FIG. 8

