



US00D332266S

United States Patent [19]

[11] Patent Number: Des. 332,266

Iwai et al.

[45] Date of Patent: ** Jan. 5, 1993

[54] FUEL PUMP

[56] References Cited

[75] Inventors: Shingo Iwai; Hiroshi Yoshioka, both of Fukuyama, Japan

U.S. PATENT DOCUMENTS

D. 178,799	9/1956	Lung	D15/7
D. 244,750	6/1977	Roberts et al.	D15/7
4,421,076	12/1983	Sasaki	123/499
4,900,960	2/1990	Becker et al.	74/425

[73] Assignee: Mitsubishi Denki Kabushiki Kaisha, Tokyo, Japan

Primary Examiner—Stella Reid
Assistant Examiner—R. Seifert
Attorney, Agent, or Firm—Burns, Doane, Swecker & Mathis

[**] Term: 14 Years

[57] CLAIM

[21] Appl. No.: 424,562

The ornamental design for a fuel pump, as shown and described.

[22] Filed: Oct. 20, 1989

DESCRIPTION

[30] Foreign Application Priority Data

Apr. 22, 1989 [JP] Japan 1-14957

[52] U.S. Cl. D15/7

[58] Field of Search D15/5, 7, 9.1;
417/423.15, 323-325, 423.5, 423, 423.14; 92/98
R; 123/495, 497, 449, 458, 490, 498-499;
74/425

FIG. 1 is a perspective view of a fuel pump showing our new design;

FIG. 2 is a front elevational view;

FIG. 3 is a rear elevational view;

FIG. 4 is a top plan view;

FIG. 5 is a bottom plan view;

FIG. 6 is a left side elevational; and,

FIG. 7 is a right side elevational view.

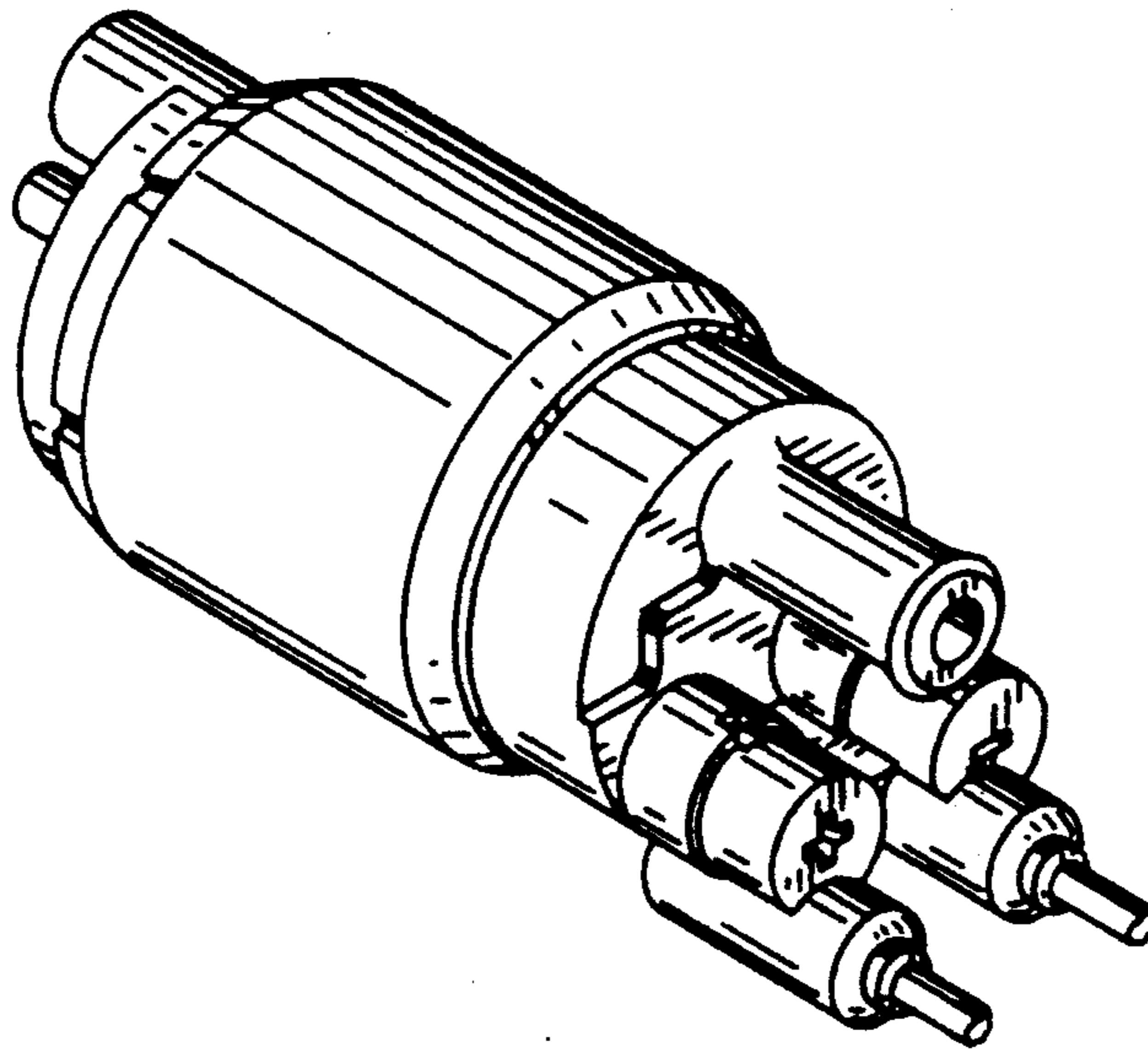


Fig. 1

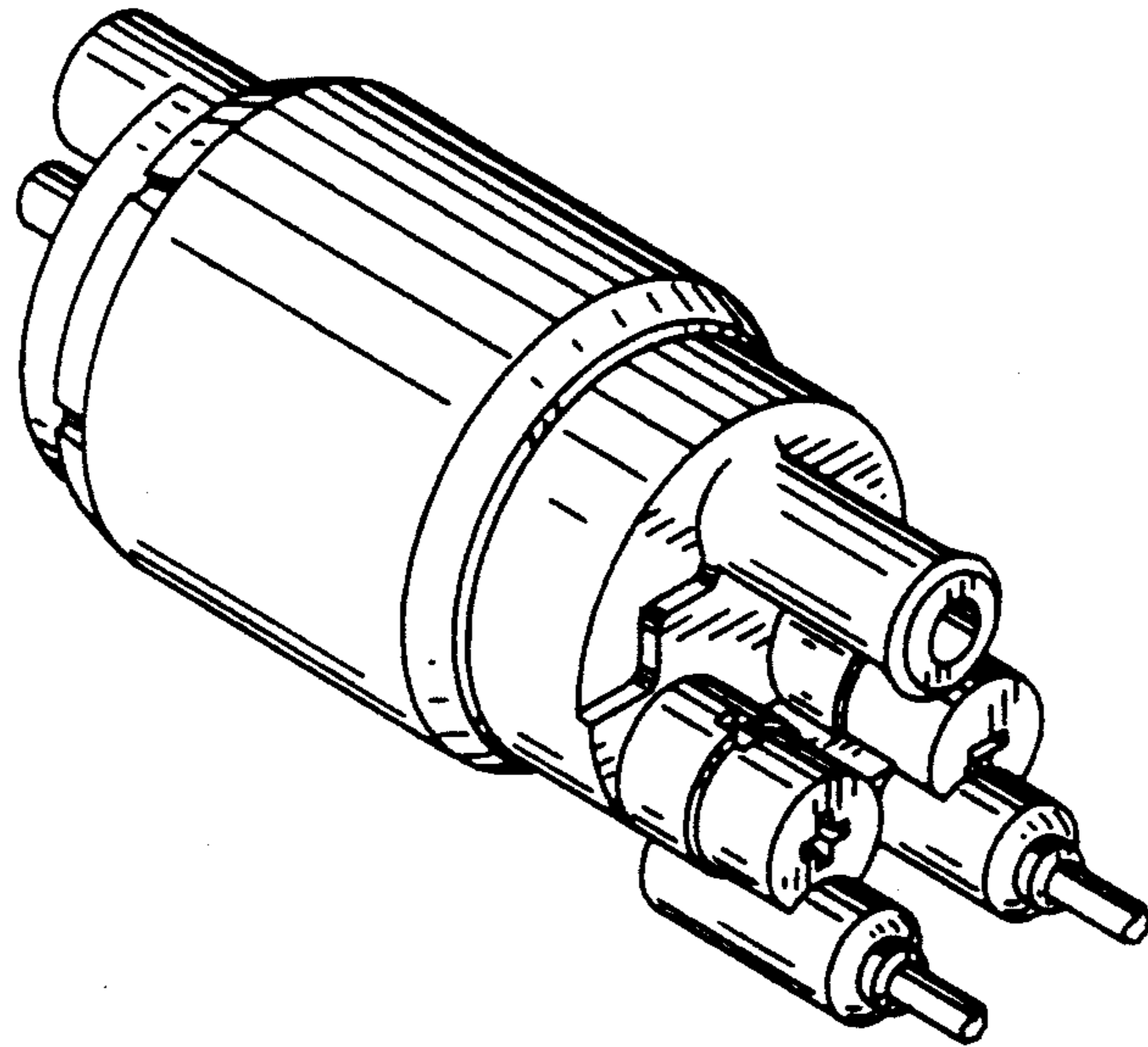


Fig. 2

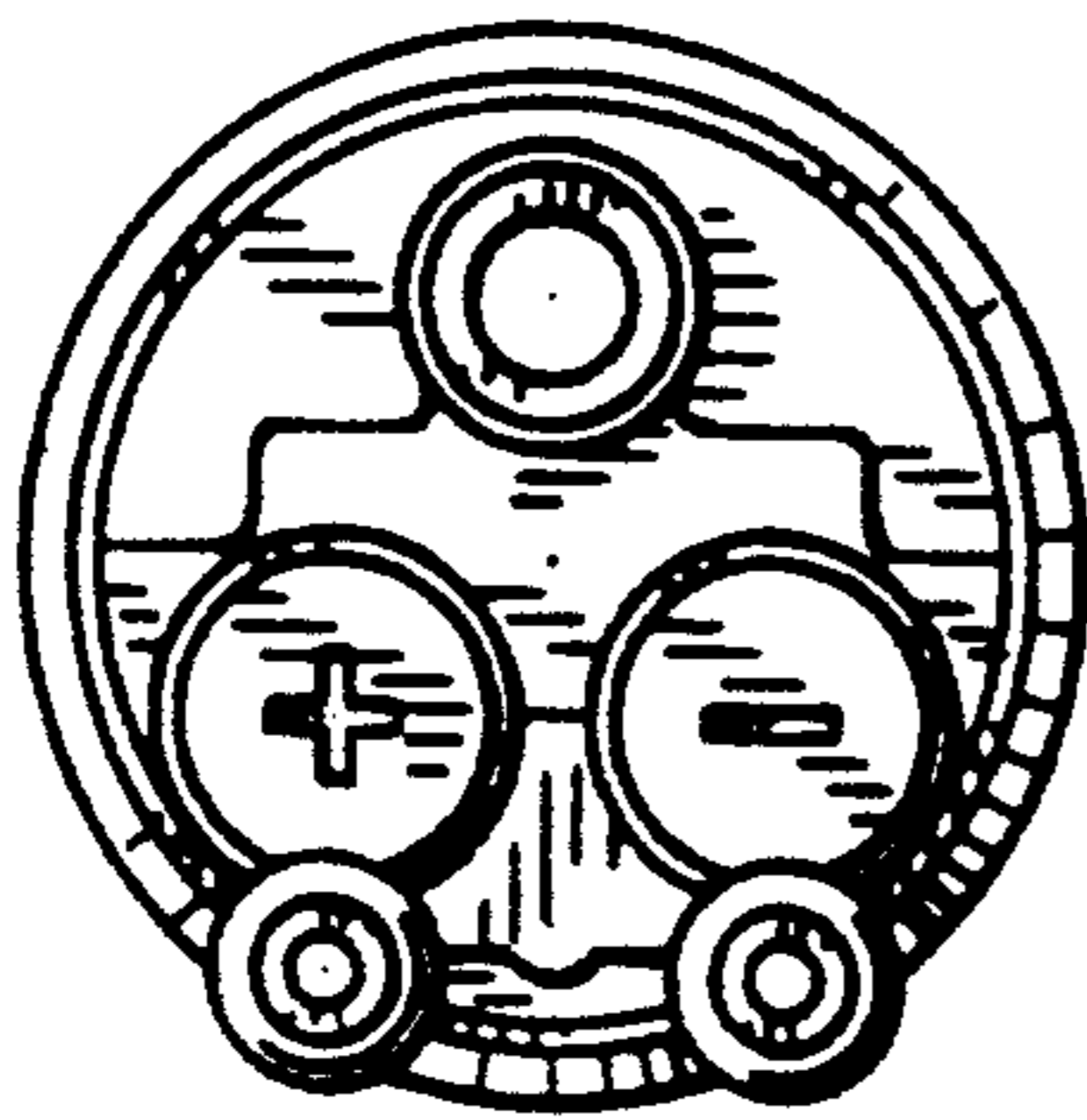


Fig. 3

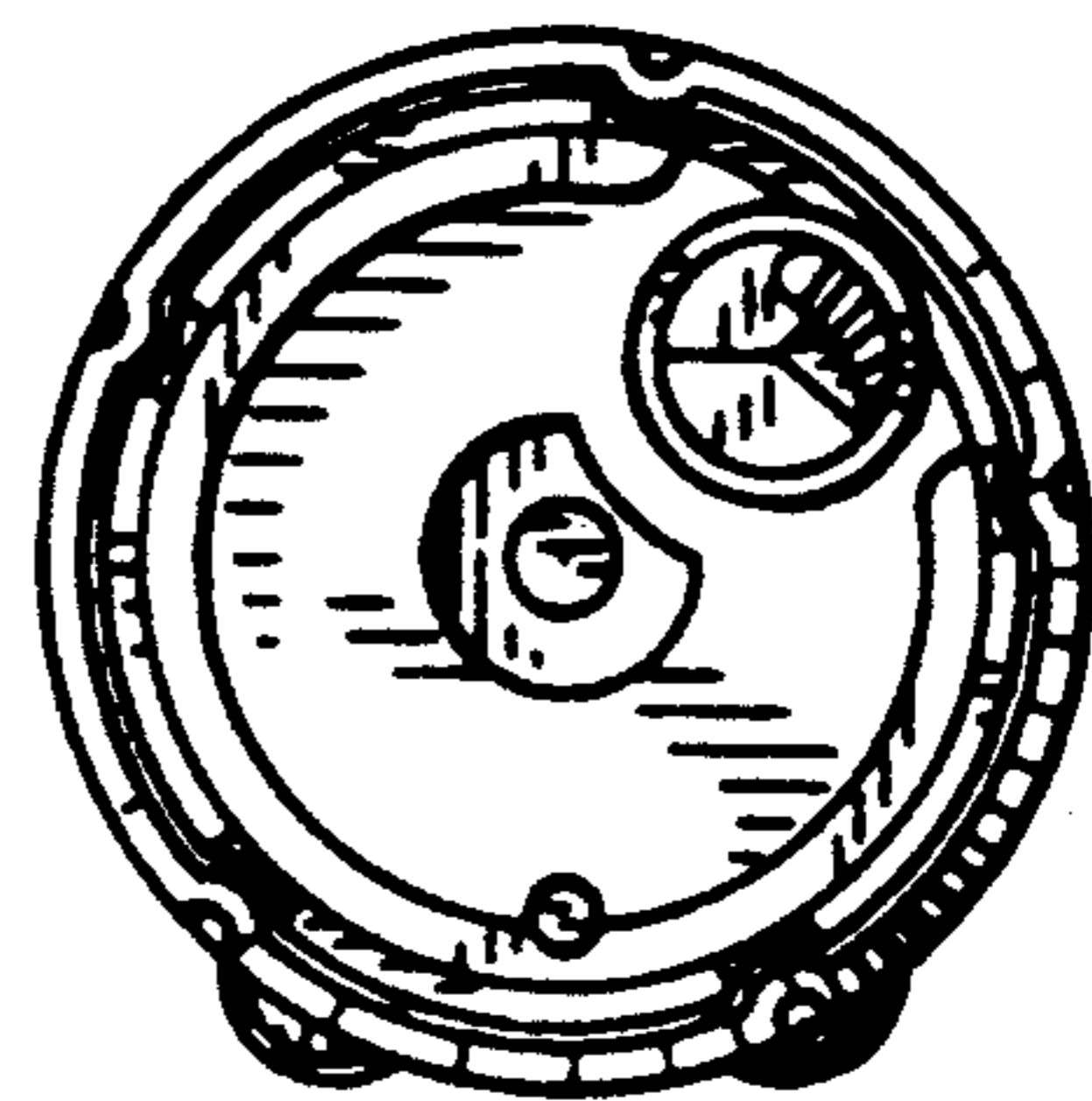


Fig. 4

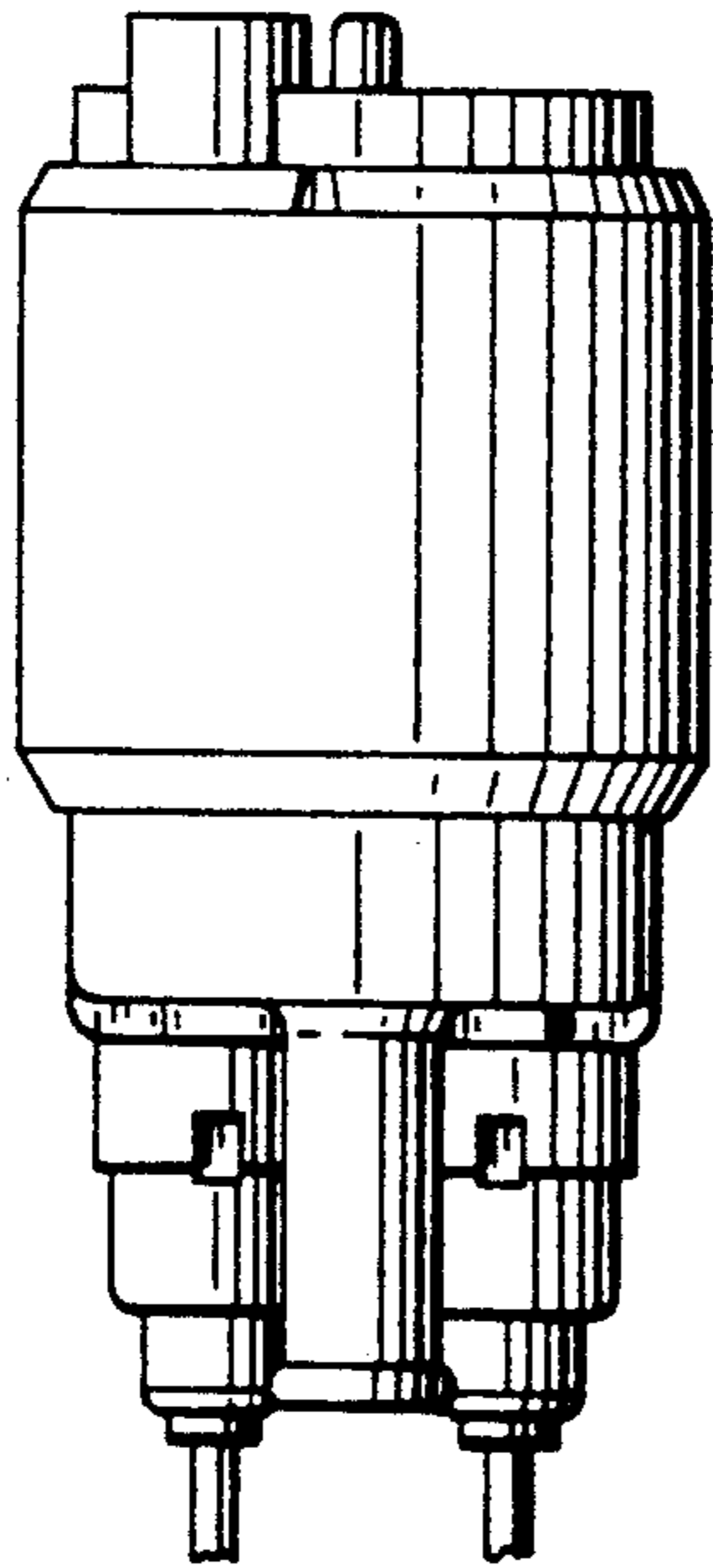


Fig. 5

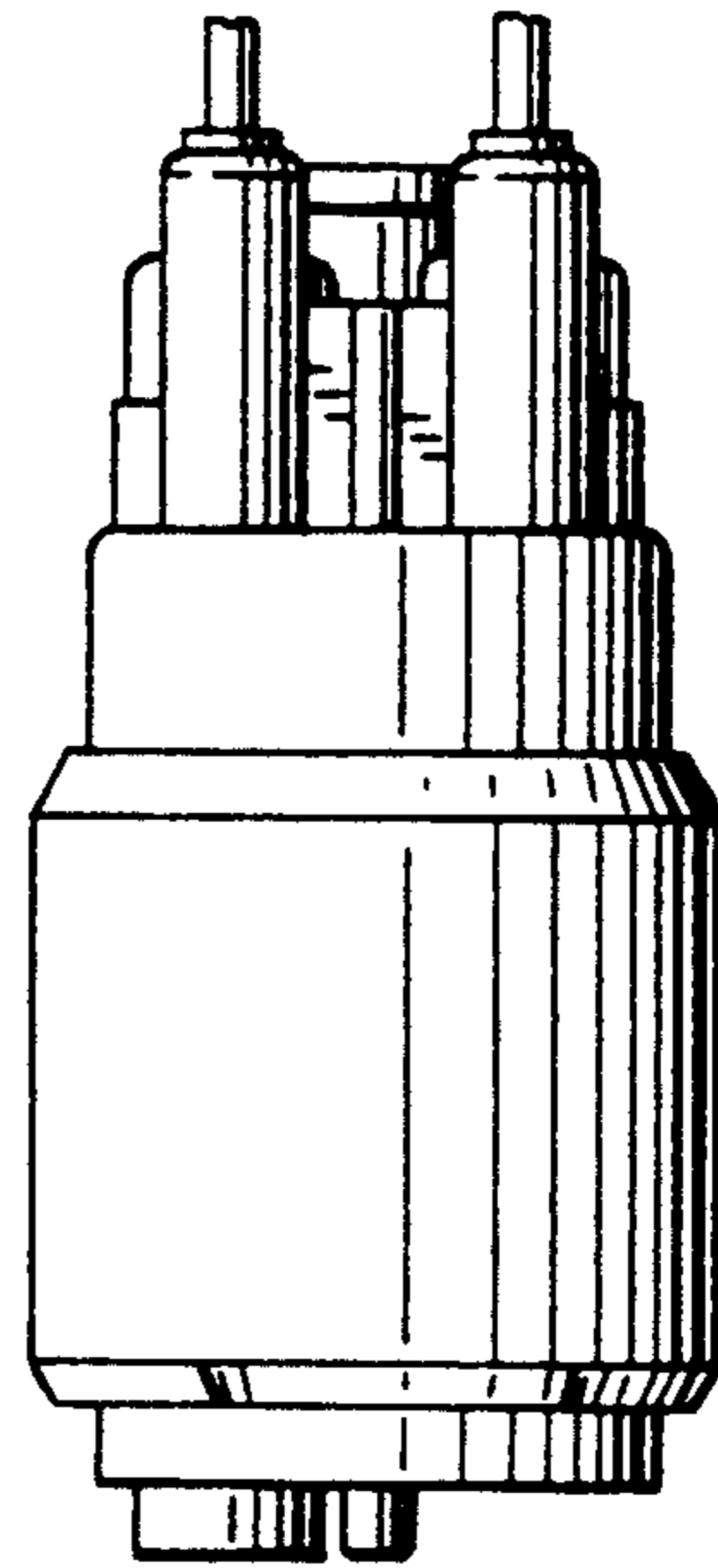


Fig. 6

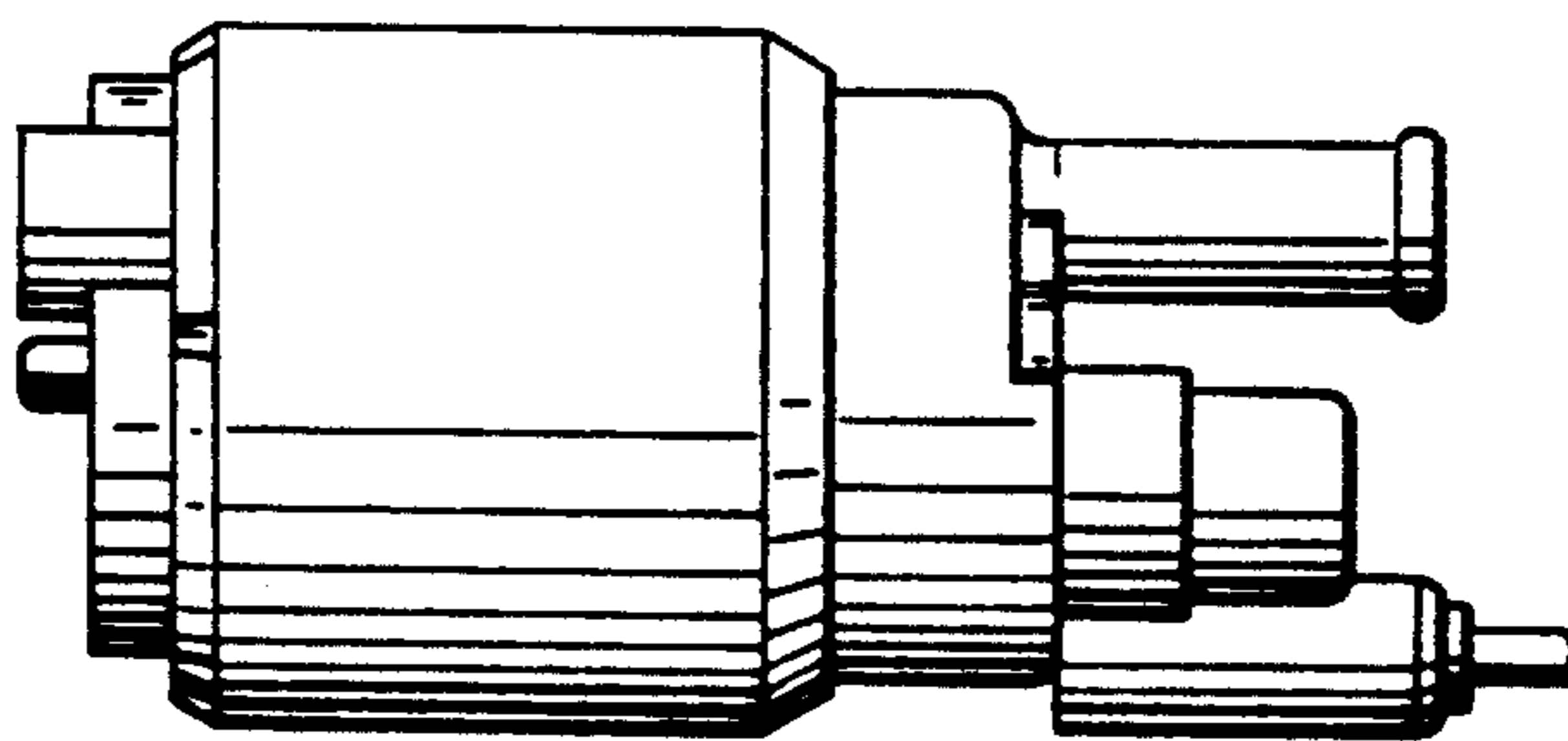


Fig. 7

