



US00D332262S

United States Patent [19]
Borchardt

[11] **Patent Number: Des. 332,262**
[45] **Date of Patent: ** Jan. 5, 1993**

[54] **PICTURE FRAME ANTENNA**

[56] **References Cited**

U.S. PATENT DOCUMENTS

[75] **Inventor: Robert L. Borchardt, New York, N.Y.**

D. 308,204	5/1990	Takizawa	D14/235
D. 318,673	7/1991	Terk	D14/230
2,821,710	1/1958	Hale	343/720 X
3,261,019	7/1966	Lundy	343/720
3,587,105	6/1971	Neilson	343/720

[73] **Assignee: Recoton Corporation, Long Island City, N.Y.**

Primary Examiner—Theodore M. Shooman
Attorney, Agent, or Firm—Curtis, Morris & Safford

[**] **Term: 14 Years**

[57] **CLAIM**

The ornamental design for a picture frame antenna, as shown and described.

[21] **Appl. No.: 553,007**

DESCRIPTION

[22] **Filed: Jul. 16, 1990**
 [52] **U.S. Cl. D14/230**
 [58] **Field of Search D14/230-238,**
 D14/124, 217, 219; 343/711-713, 715, 872, 900,
 906, 741, 748, 882, 720, 808, 805, 878, 795, 912,
 873, 745, 749, 901, 903

FIG. 1 is a front perspective view of a picture frame antenna showing my new design;
 FIG. 2 is a side elevational view thereof;
 FIG. 3 is a top plan view thereof;
 FIG. 4 is a front elevational view thereof;
 FIG. 5 is a rear elevational view thereof; and,
 FIG. 6 is a bottom plan view thereof.

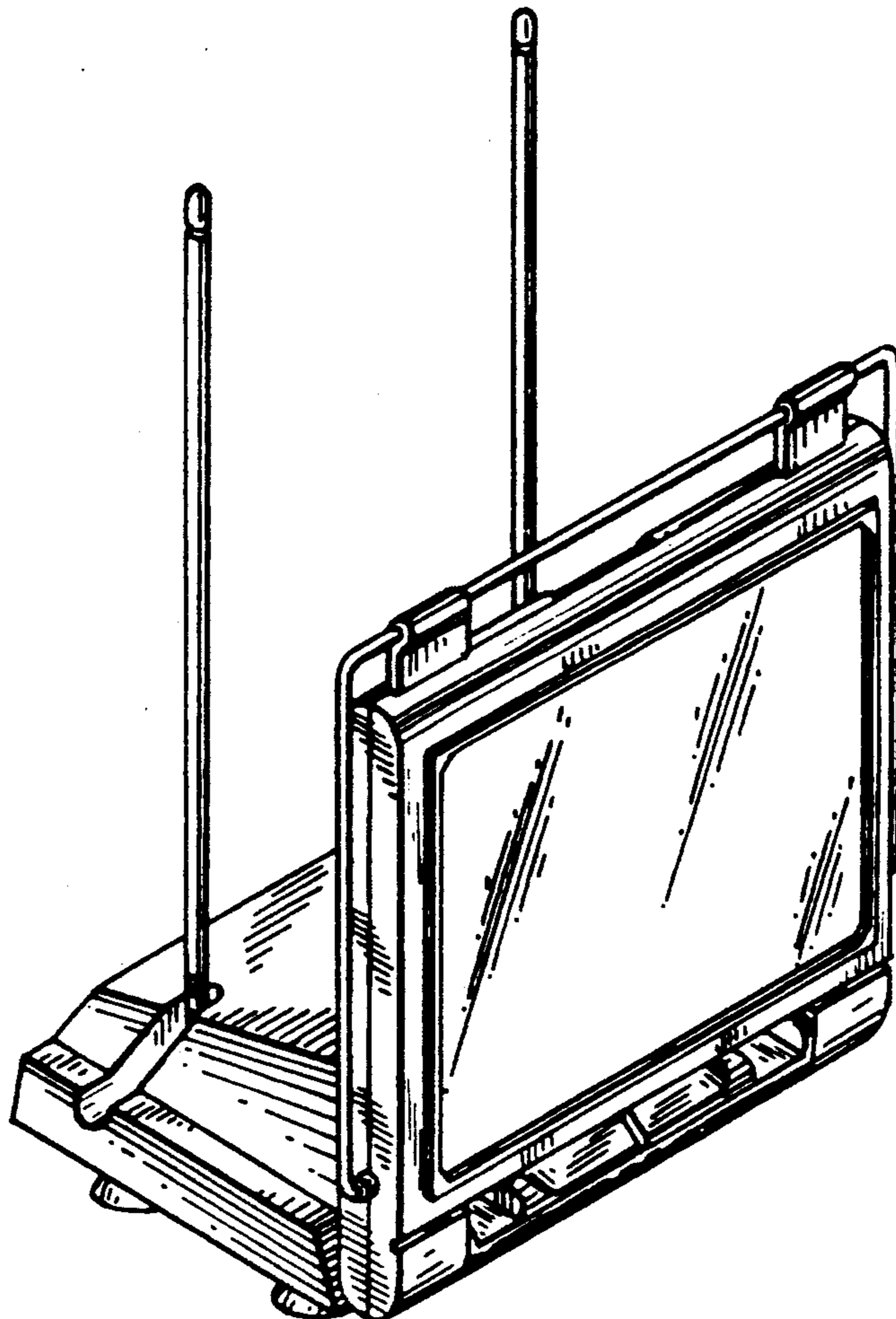


FIG. 1

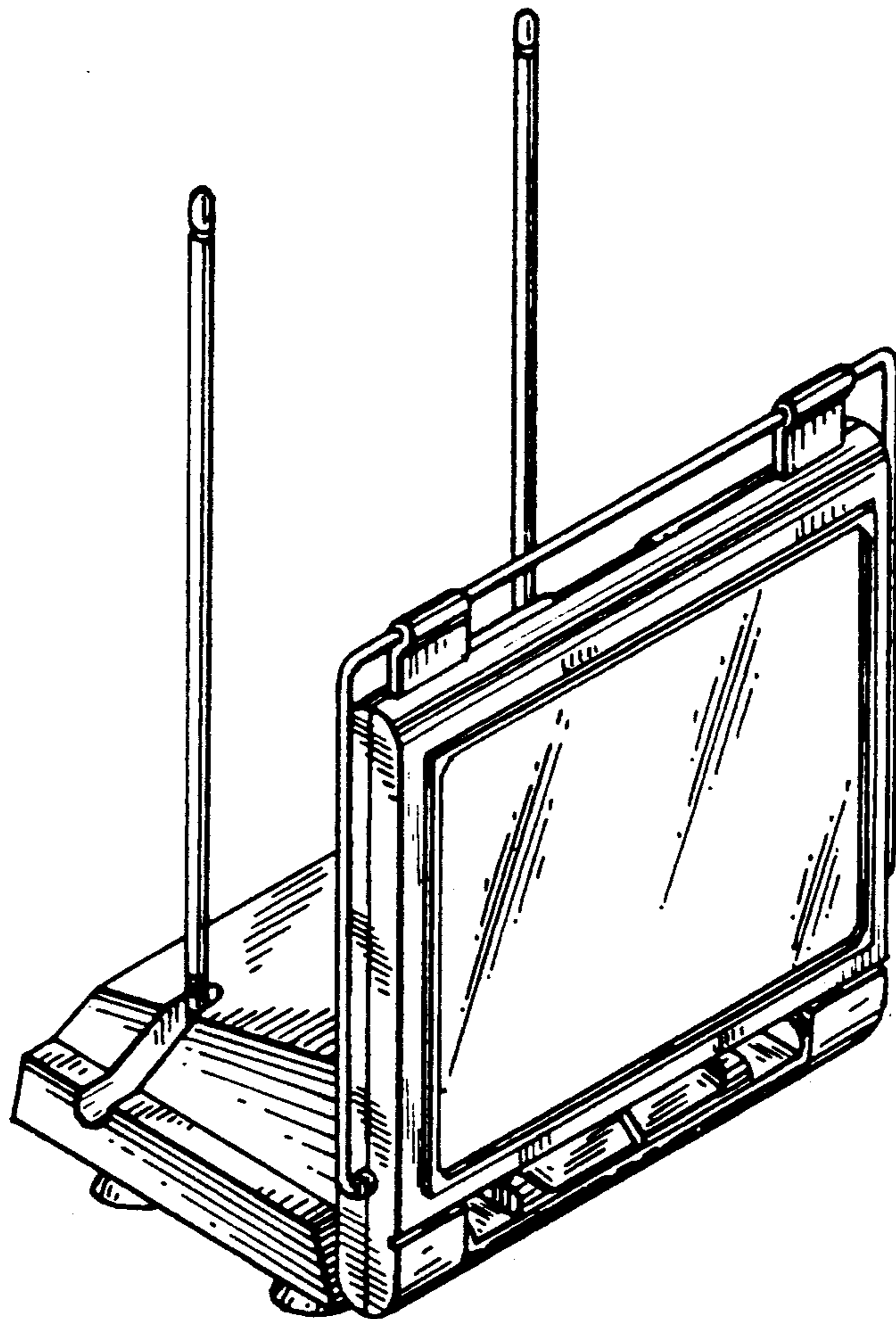


FIG. 2

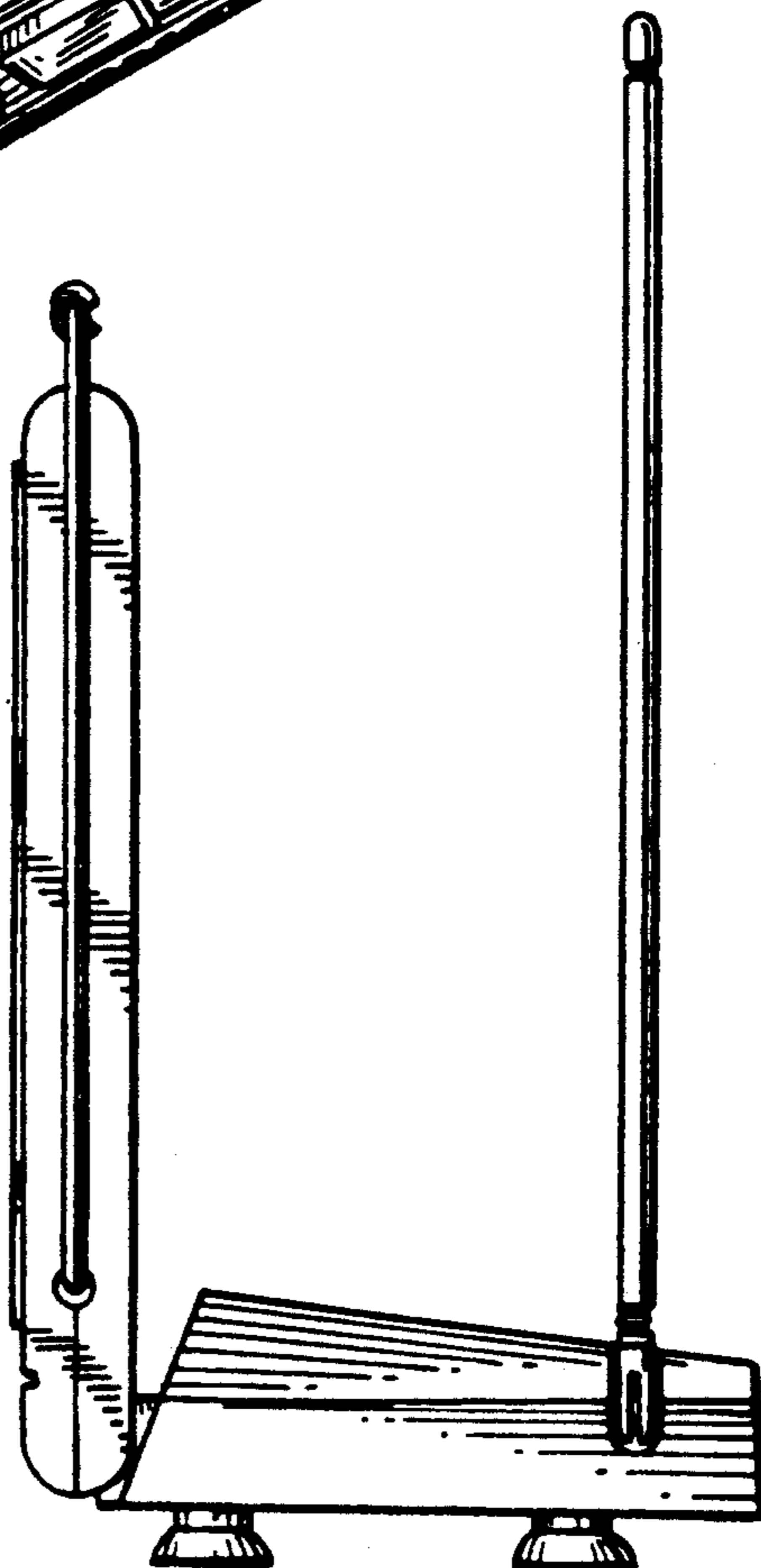


FIG. 3

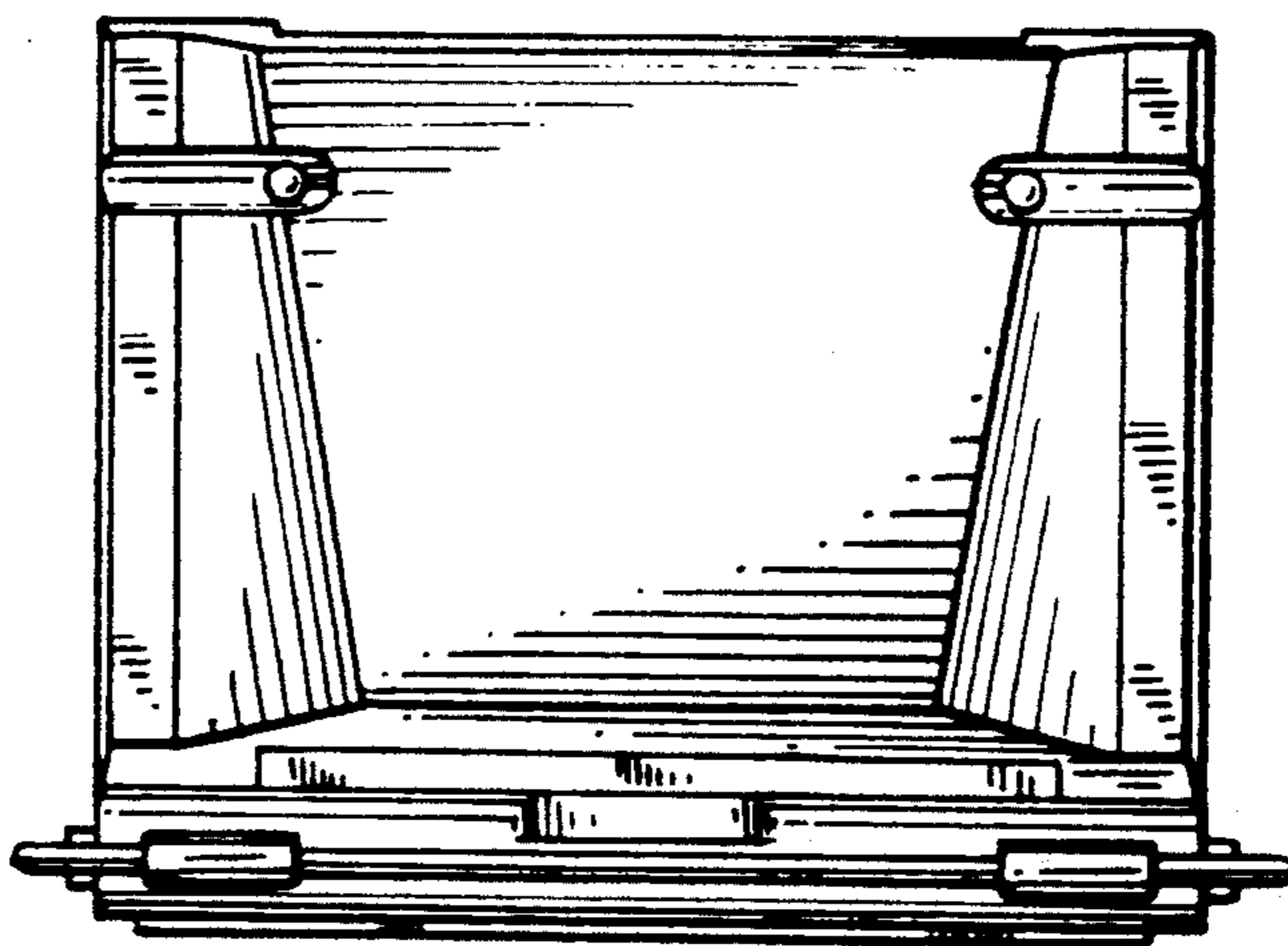


FIG. 4

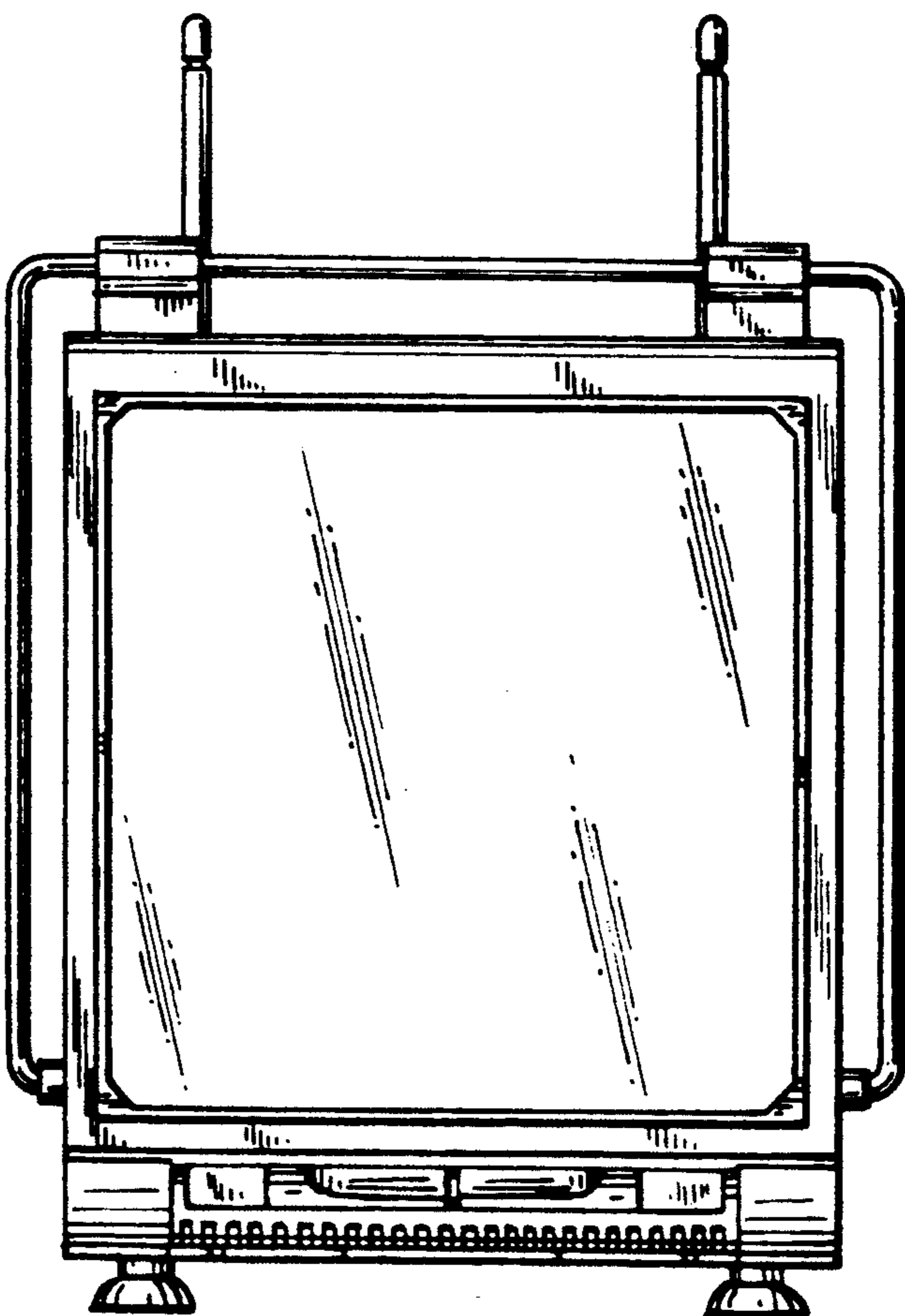


FIG. 5

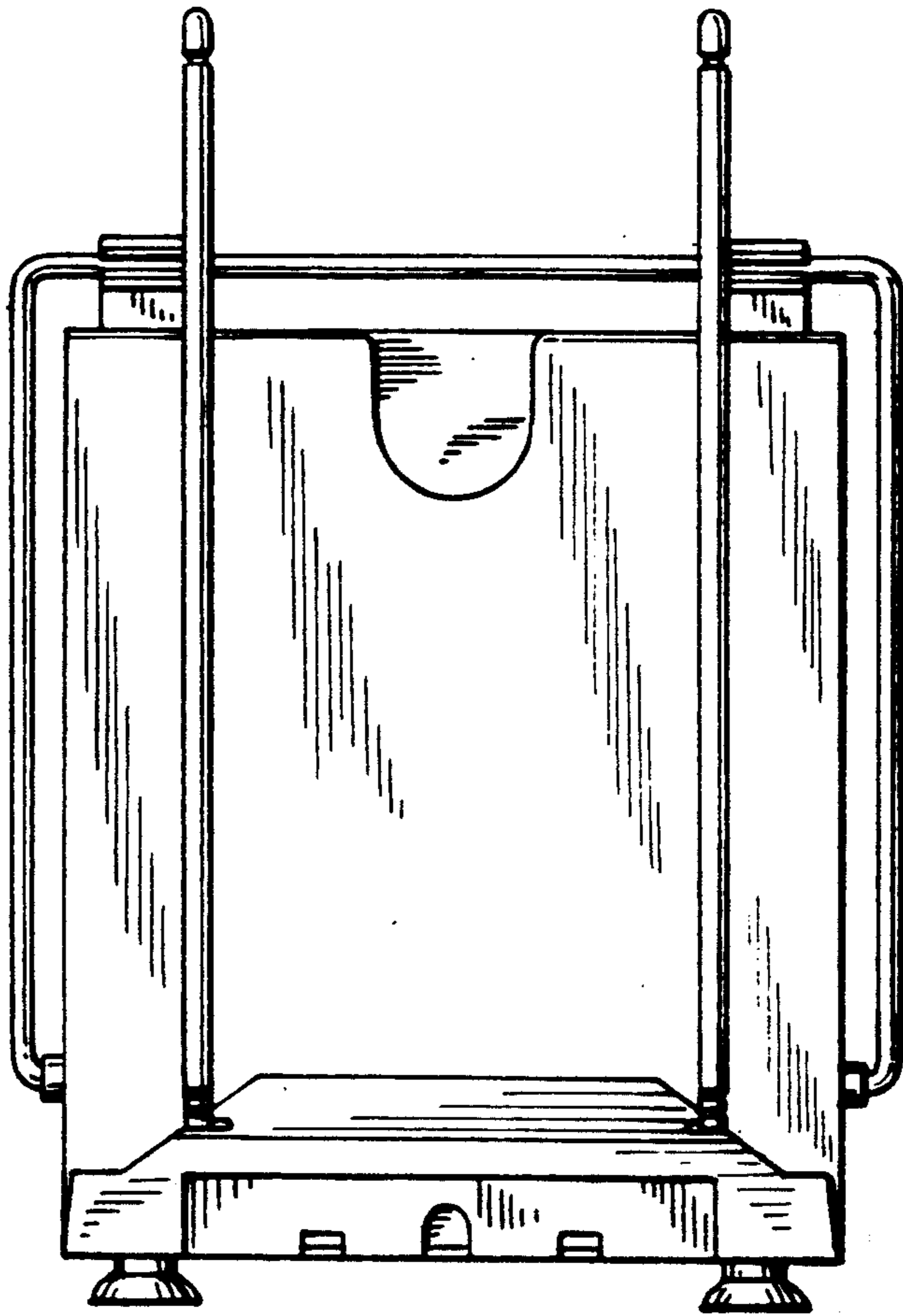


FIG. 6

