



US00D332257S

United States Patent [19]

[11] Patent Number: **Des. 332,257**

Darling et al.

[45] Date of Patent: **** Jan. 5, 1993**

[54] **INTERFACE FOR A COMPUTER GAMES SYSTEM**

[75] Inventors: **Richard Darling; Edward A. Carron; David Darling**, all of Leamington Spa, England

[73] Assignee: **Code Masters Software Co. Ltd.**, London, England

[**] Term: **14 Years**

[21] Appl. No.: **543,171**

[22] Filed: **Jun. 22, 1990**

[52] U.S. Cl. **D14/114**

[58] Field of Search **D14/114; 273/148 B, 273/434, 437, 856, 435; D19/117; D21/48, 13**

[56] **References Cited**

U.S. PATENT DOCUMENTS

- D. 219,929 2/1971 Herring D21/48
- D. 285,926 9/1986 Kies et al. D14/114

- D. 311,737 10/1990 Westwood et al. D14/114
- D. 315,577 3/1991 Wang D21/48
- 4,149,027 4/1979 Asher et al. D14/114 X
- 4,788,537 11/1988 Potiker 273/148 B

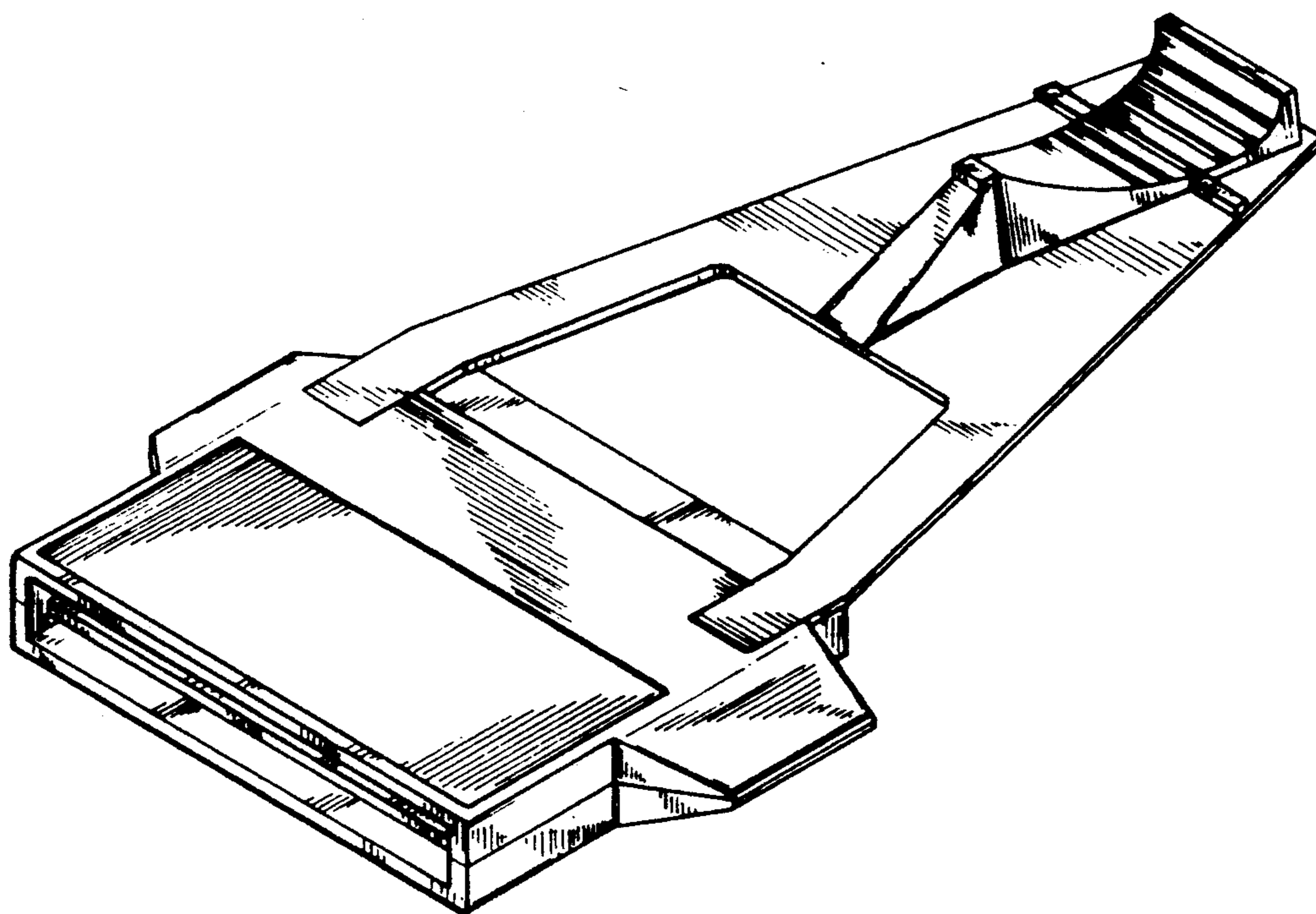
Primary Examiner—Susan J. Lucas
Assistant Examiner—M. H. Tung
Attorney, Agent, or Firm—Lewis H. Eslinger; Donald S. Dowden

[57] **CLAIM**

The ornamental design for an interface for a computer games system, as shown and described.

DESCRIPTION

FIG. 1 is a front elevational view of an interface for a computer games system, showing my new design; FIG. 2 is a rear elevational view thereof; FIG. 3 is a top plan view thereof; FIG. 4 is a right side elevational view thereof, the left side being a mirror image; FIG. 5 is a bottom plan view thereof; and, FIG. 6 is a perspective view thereof.



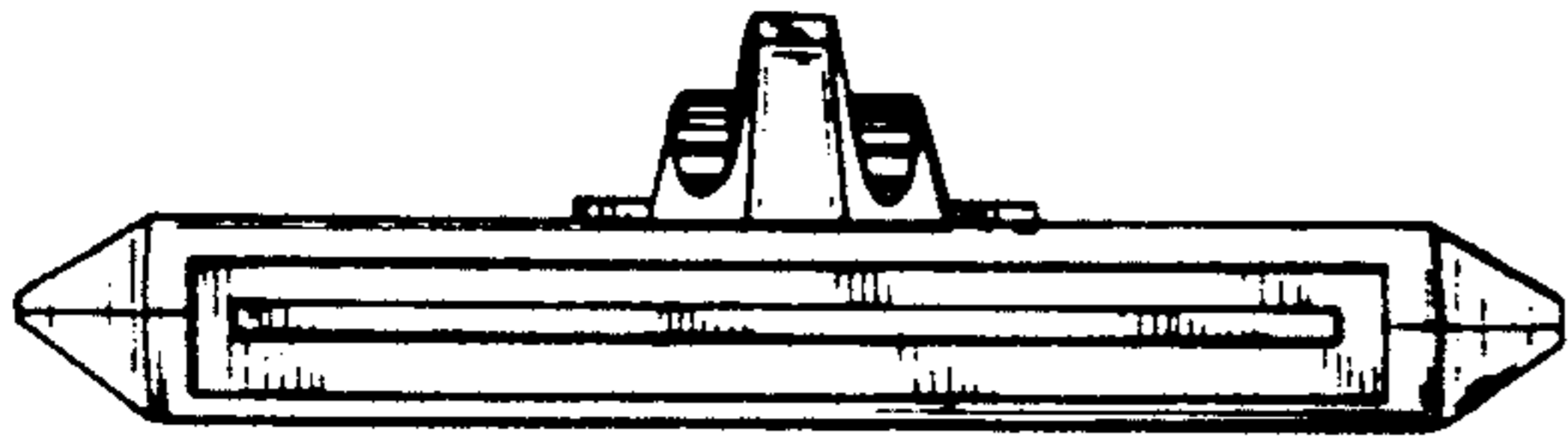


FIG. 1

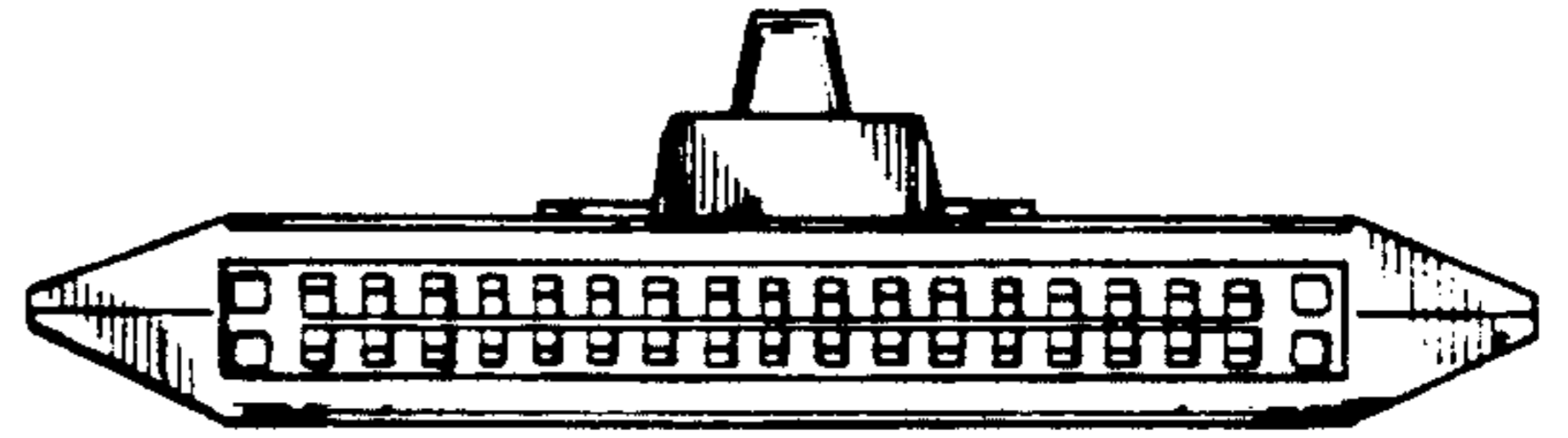


FIG. 2

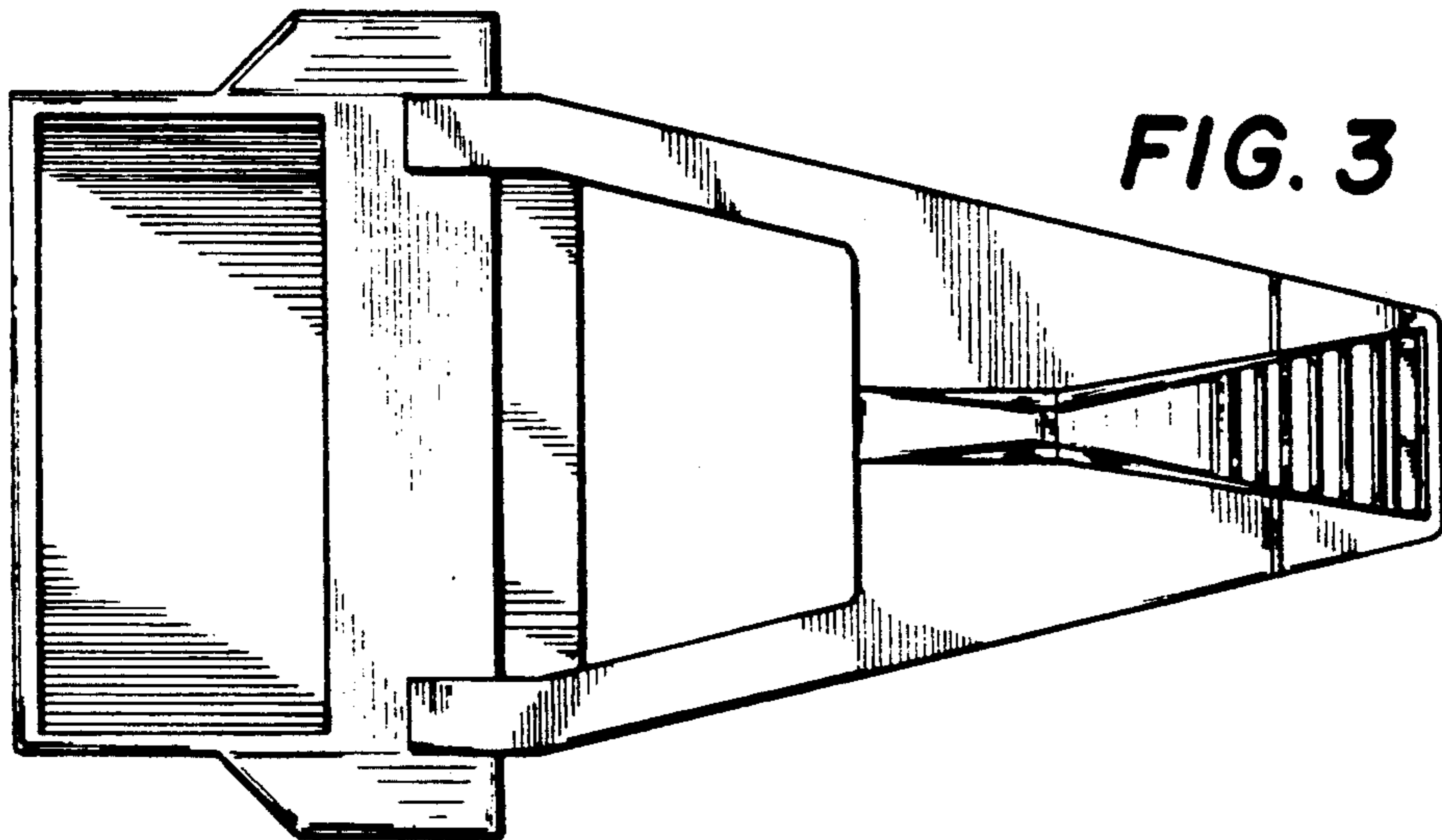


FIG. 3



FIG. 4

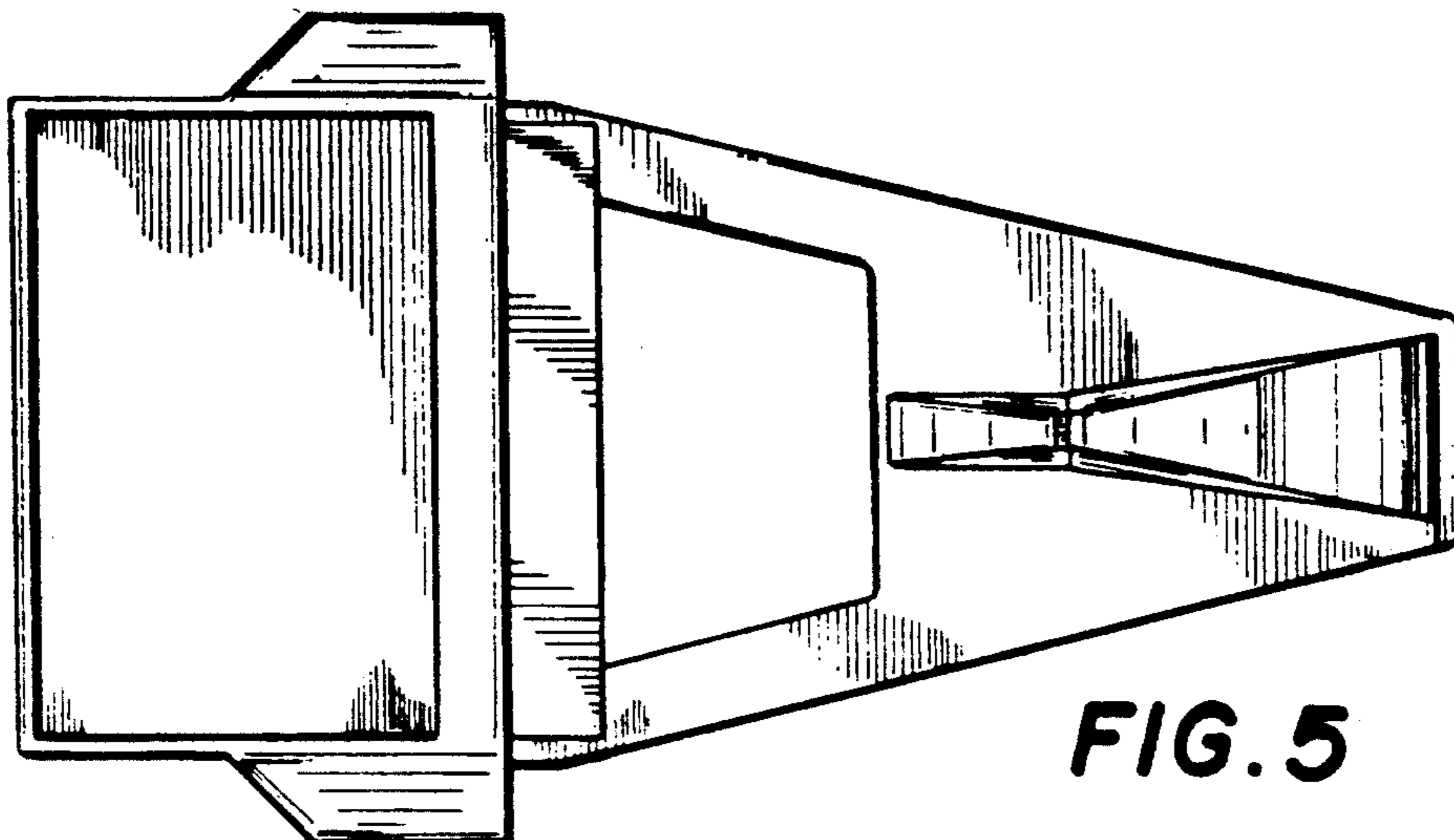


FIG. 5

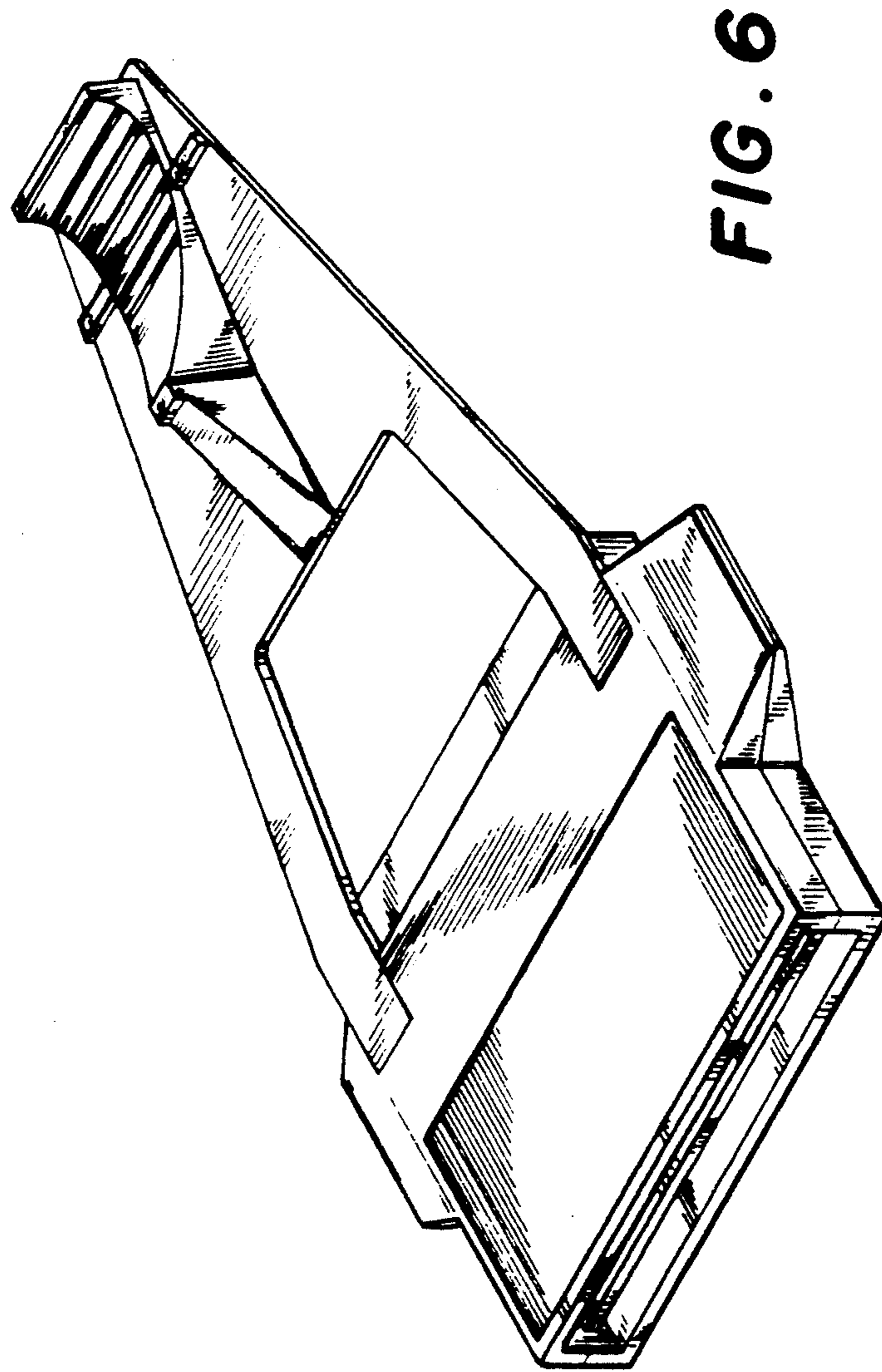


FIG. 6