



US00D332256S

United States Patent [19]

[11] Patent Number: Des. 332,256

Lewis

[45] Date of Patent: ** Jan. 5, 1993

[54] HOUSING FOR A REMOVABLE DISK DRIVE

[56]

References Cited

U.S. PATENT DOCUMENTS

D. 244,387	5/1977	Butsch	D14/109
D. 266,670	10/1982	West	D14/109
D. 285,926	9/1986	Kies et al.	D14/114
D. 286,053	10/1986	McDaniel et al.	D14/114
D. 303,791	10/1989	Peart et al.	D14/107
D. 308,052	5/1990	Darden et al.	D14/109
D. 318,467	7/1991	Smith	D14/114

[75] Inventor: Mark S. Lewis, Monument, Colo.

Primary Examiner—Wallace R. Burke
Assistant Examiner—Freda S. Nunn
Attorney, Agent, or Firm—Arnold, White & Durkee

[73] Assignee: Digital Equipment Corporation, Maynard, Mass.

[**] Term: 14 Years

[57]

CLAIM

[21] Appl. No.: 468,972

The ornamental design for a housing for a removable disk drive, as shown and described.

[22] Filed: Jan. 23, 1990

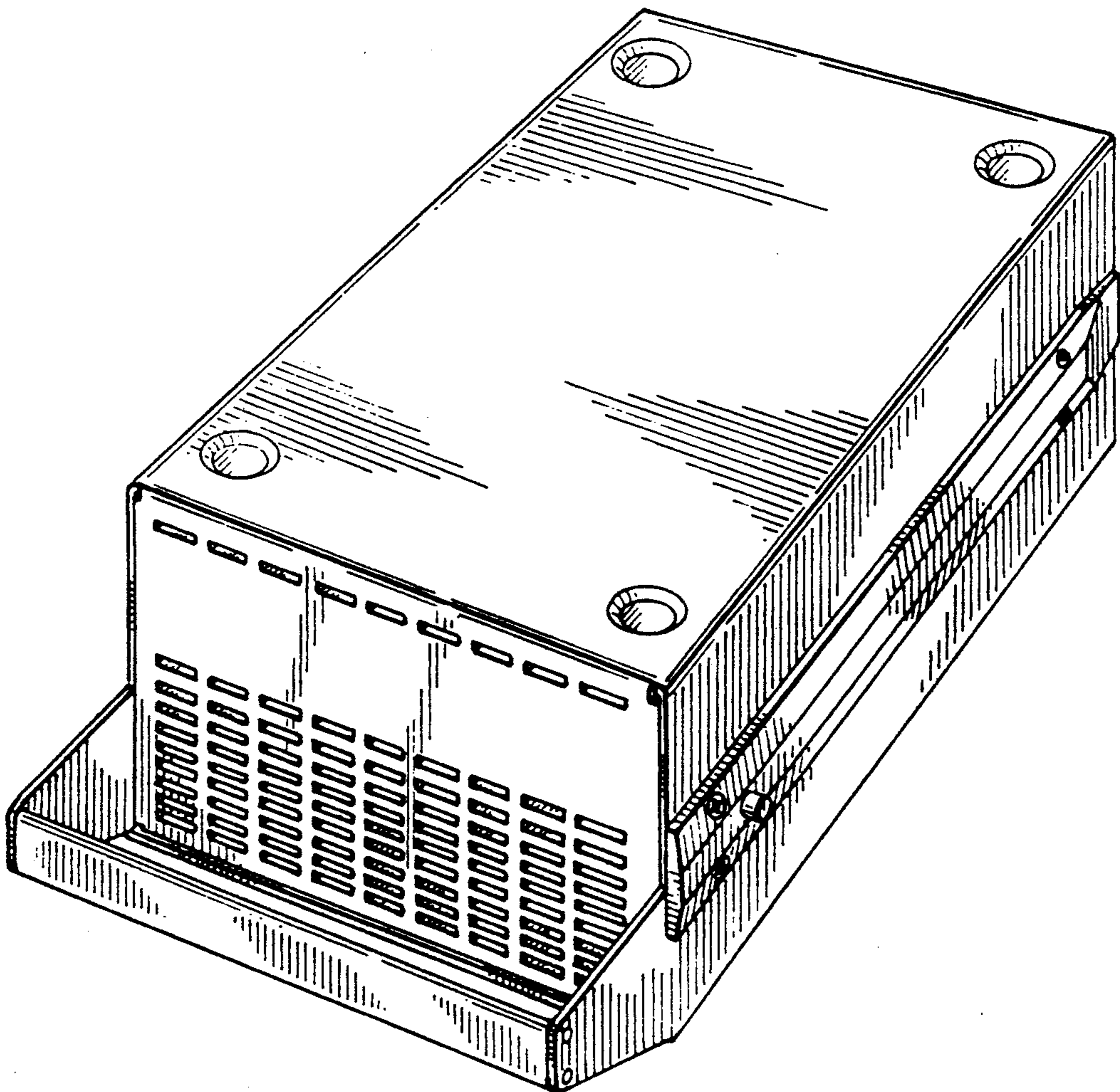
DESCRIPTION

[52] U.S. Cl. D14/109

[58] Field of Search D14/100-117;
D13/162, 184, 199; 360/97.01-99.12, 133;
361/380-385, 390-395; 364/900; 369/291, 273,
277; 174/50, 52.1; 206/309, 312, 444

FIG. 1 is a top front and right side perspective view of a housing for a removable disk drive showing my new design; and,

FIG. 2 is a bottom rear and left side perspective view thereof.



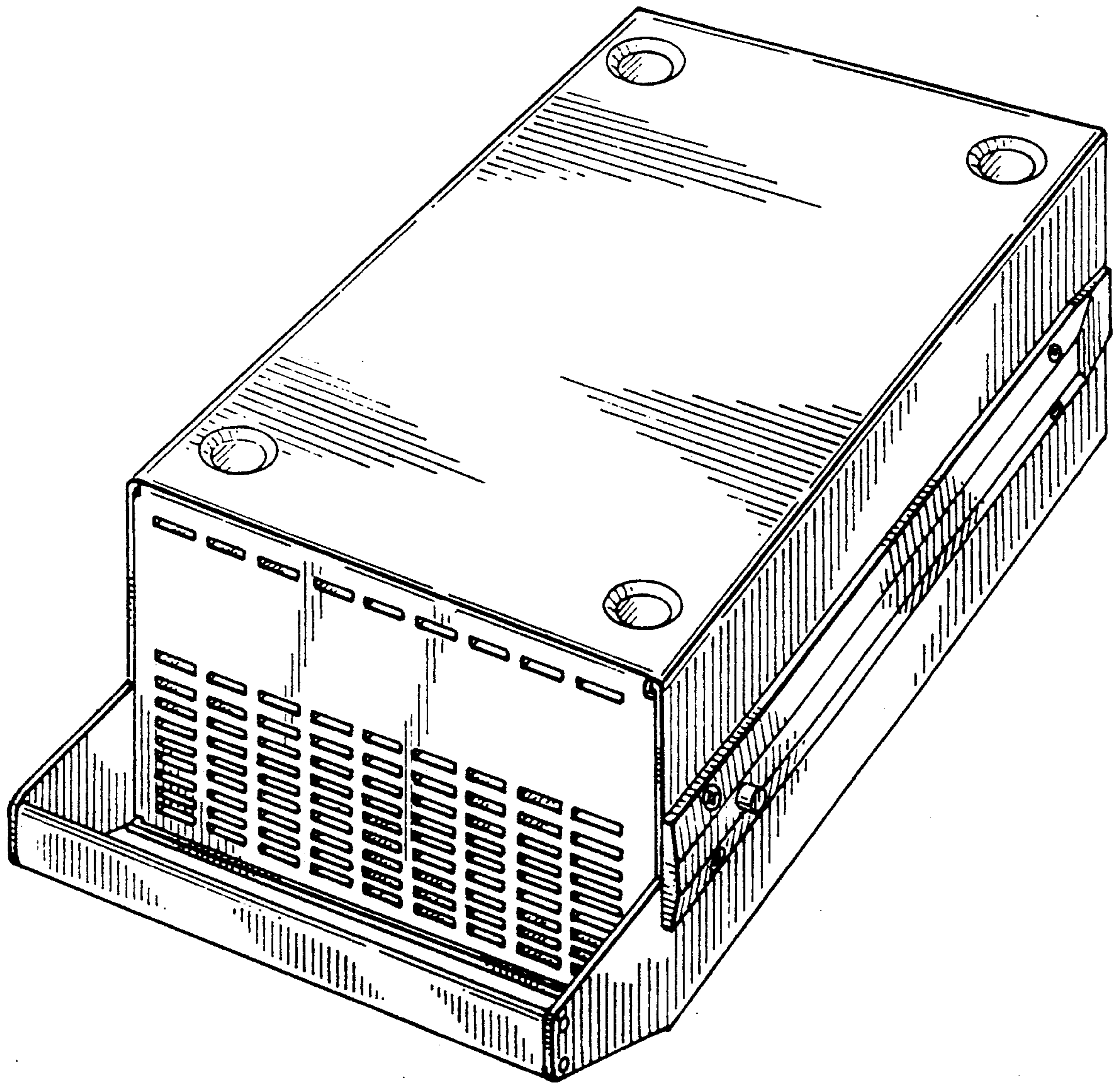


FIG. 1

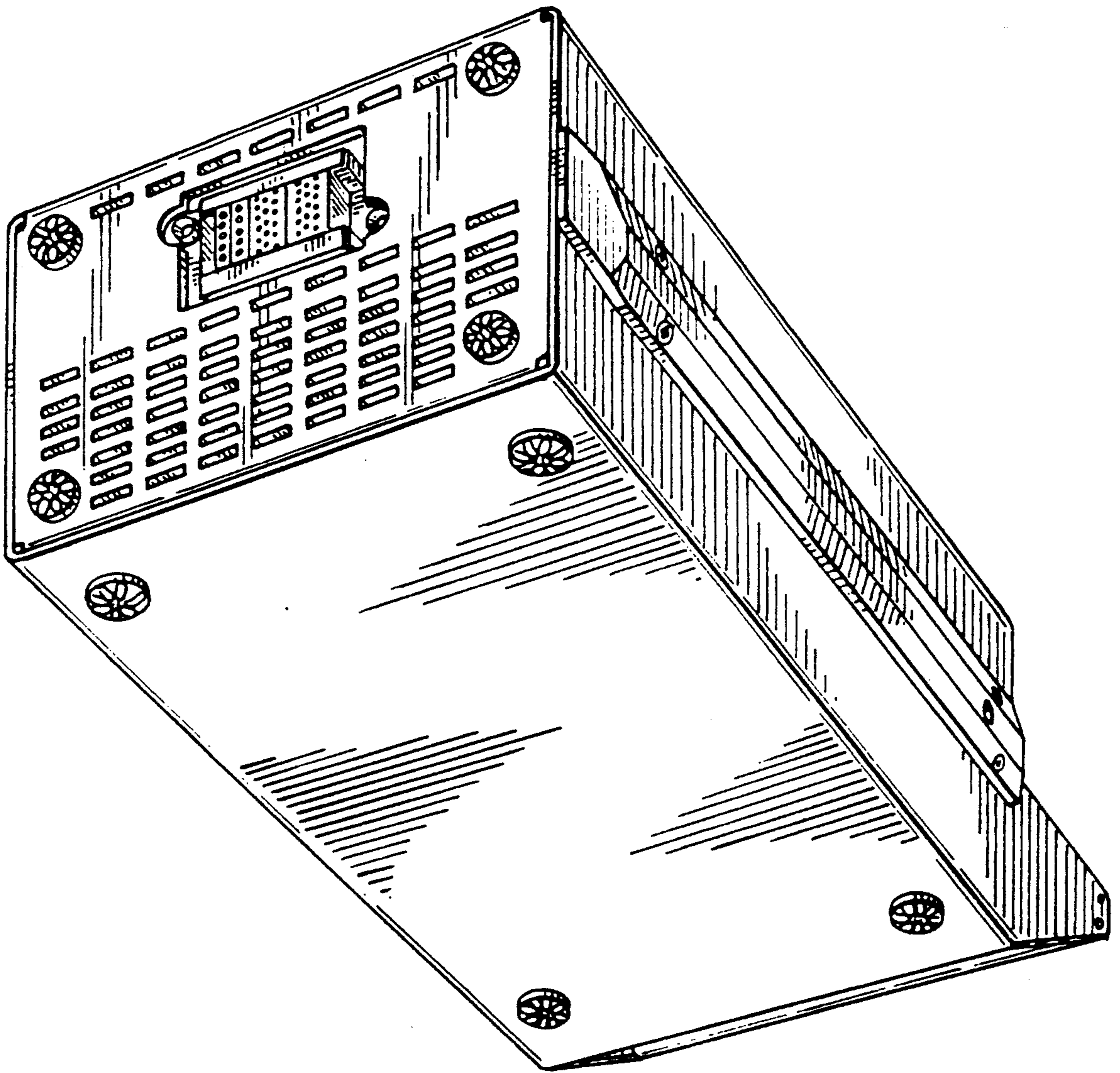


FIG. 2