



US00D332254S

United States Patent [19]
Hofland et al.

[11] **Patent Number: Des. 332,254**
[45] **Date of Patent: ** Jan. 5, 1993**

[54] **DATA GATHERING BASE UNIT OR THE LIKE**

[75] **Inventors: Robert M. Hofland; Philip D. Smith,**
both of Boulder, Colo.

[73] **Assignee: International Business Machines Corporation,**
Armonk, N.Y.

[**] **Term: 14 Years**

[21] **Appl. No.: 334,401**

[22] **Filed: Apr. 5, 1989**

[52] **U.S. Cl. D14/100; D14/107**

[58] **Field of Search D14/100-117;**
D13/184, 199; 360/97.01-99.12, 132, 133;
174/52.1; 361/330-335, 380-385, 390-395. 415,
426; 200/5 A, 5 R, 6 A, 6 R; 369/34, 101, 126,
132, 176, 178; 346/158; D10/70, 74, 75, 78;
324/83 R; 364/556, 560-564

[56] **References Cited**

U.S. PATENT DOCUMENTS

D. 276,524	11/1984	Shibata	D14/109
D. 277,670	2/1985	Brown	D14/100
D. 313,011	12/1990	Searle et al.	D14/100
4,658,375	4/1987	Onogi et al.	364/708 X
4,754,397	6/1988	Varaiya et al.	361/380
4,928,208	5/1990	Volpe et al.	361/380 X

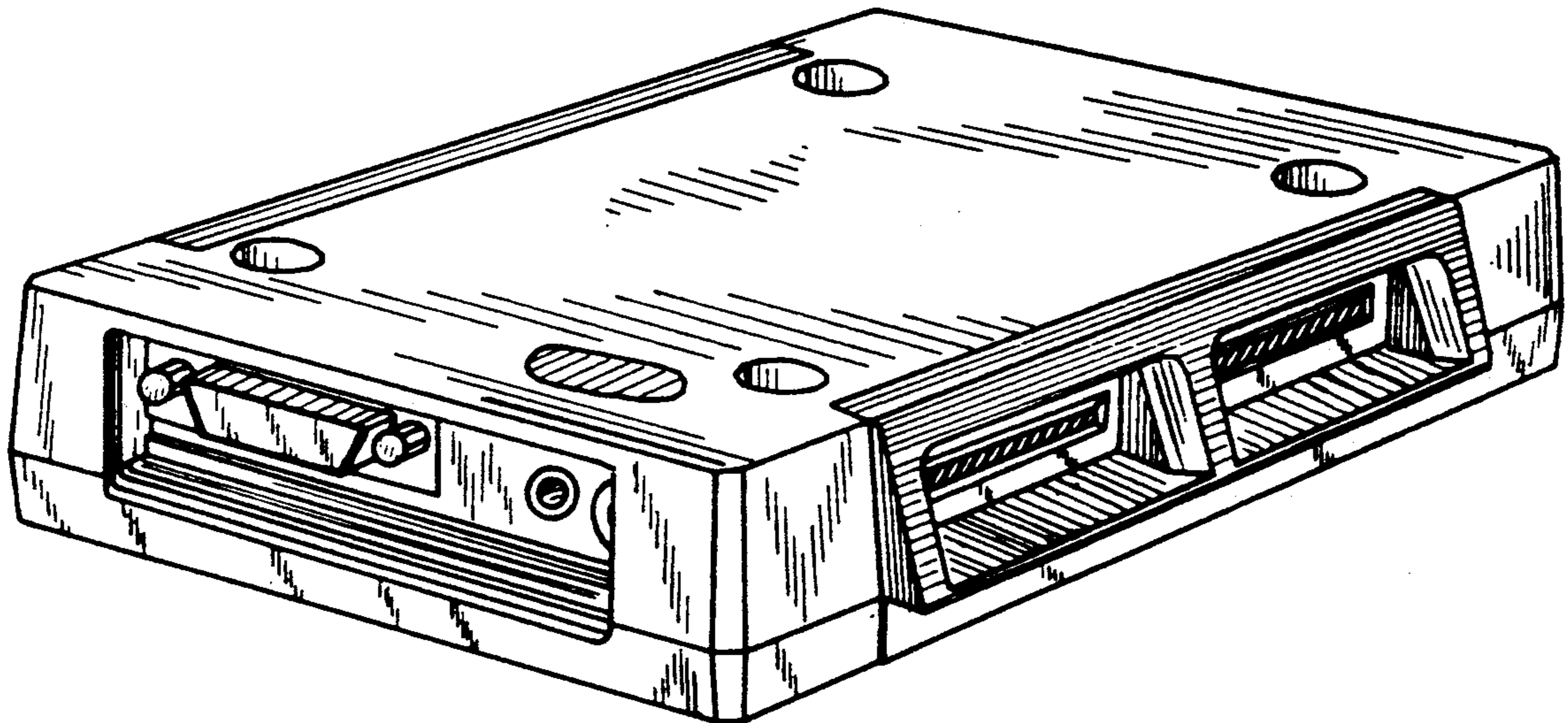
Primary Examiner—Wallace R. Burke
Assistant Examiner—Freda S. Nunn
Attorney, Agent, or Firm—Carl M. Wright

[57] **CLAIM**

The ornamental design for a data gathering base unit or the like, as shown and described.

DESCRIPTION

FIG. 1 is a top plan view of a data gathering base unit or the like showing our new design;
FIG. 2 is a right side elevational view thereof, the opposite side being a mirror image thereof;
FIG. 3 is a front elevational view thereof; and,
FIG. 4 is a top front right side perspective view thereof.



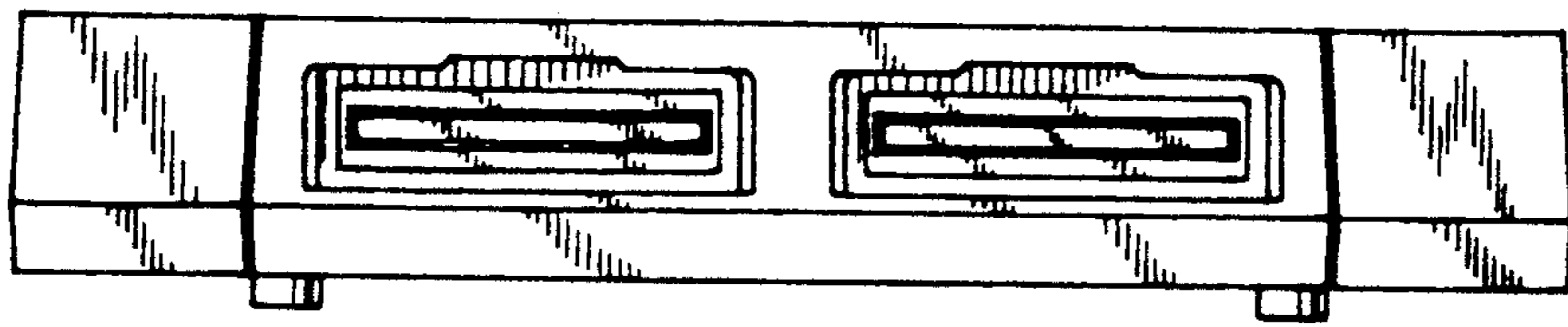


FIG. 2

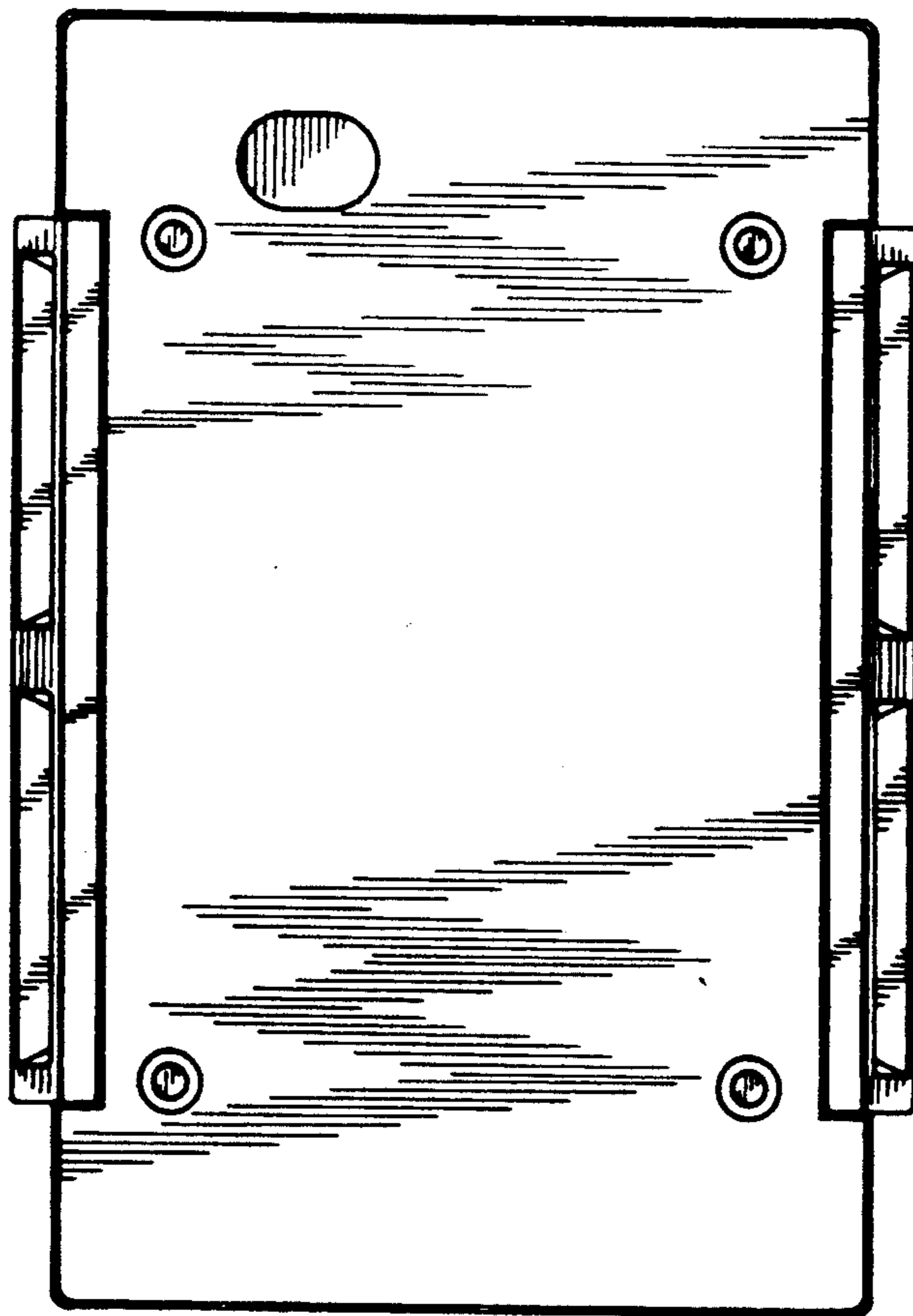


FIG. 1

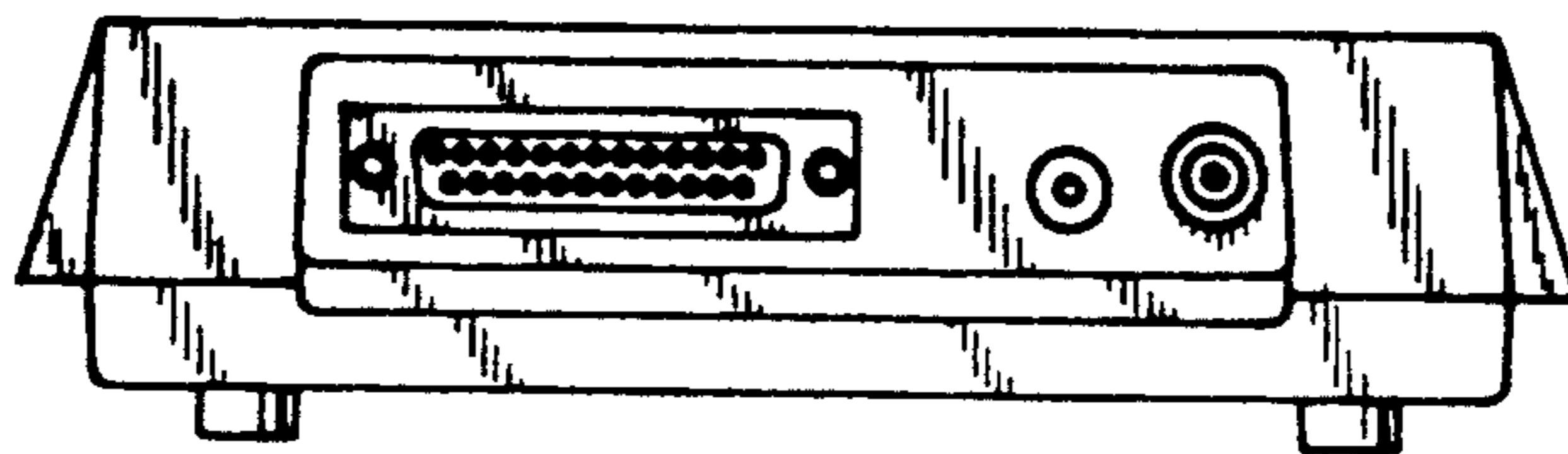


FIG. 3

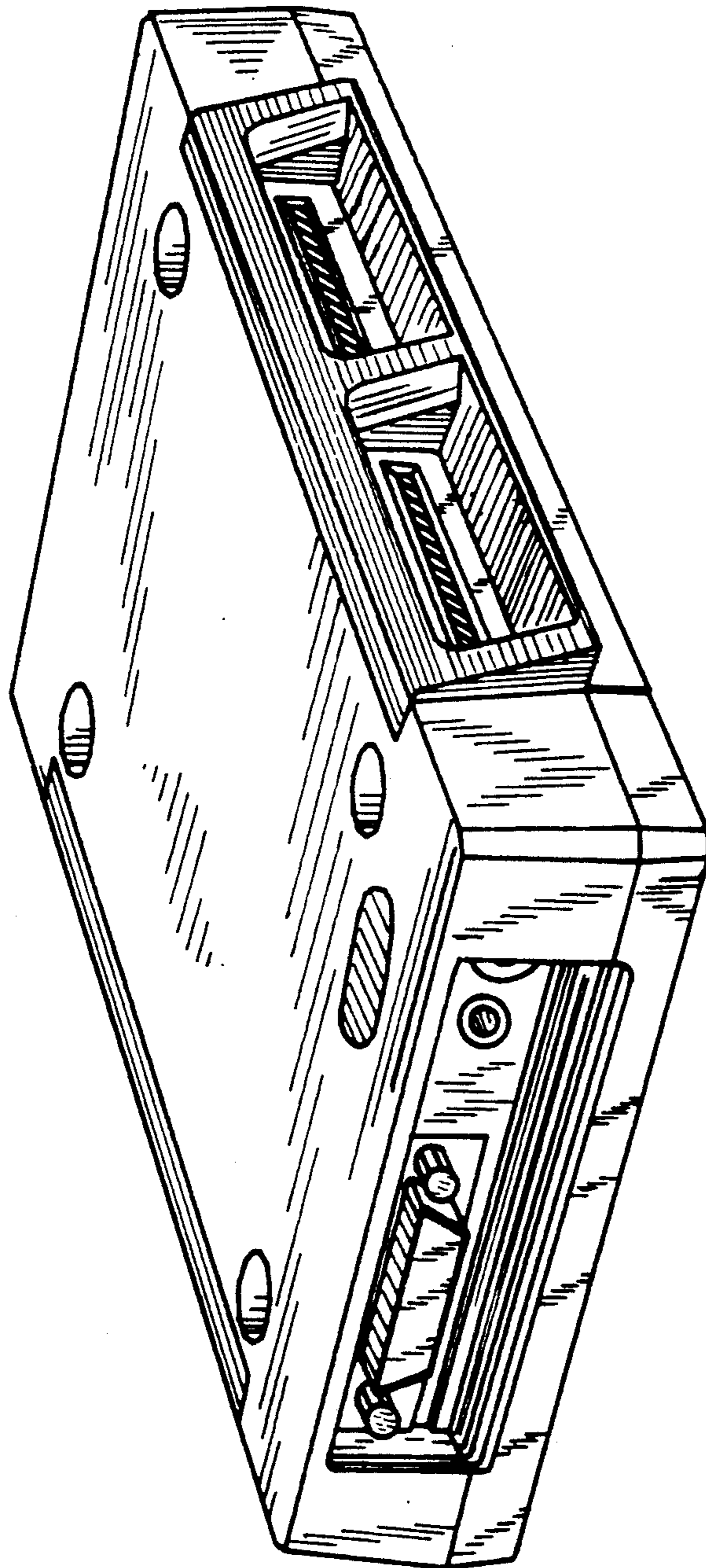


FIG. 4