



US00D332253S

United States Patent [19]

[11] Patent Number: **Des. 332,253**

Bossard et al.

[45] Date of Patent: **** Jan. 5, 1993**

[54] OPTICAL FIBER TERMINATION MODULE

[75] Inventors: **Ronald G. Bossard; Charles M. Mansfield**, both of Austin, Tex.

[73] Assignee: **Minnesota Mining and Manufacturing Company**, St. Paul, Minn.

[**] Term: **14 Years**

[21] Appl. No.: **572,690**

[22] Filed: **Aug. 24, 1990**

[52] U.S. Cl. **D13/156**

[58] Field of Search **D13/154, 156; 385/53, 385/60, 69, 76, 78, 87, 95, 135, 138**

[56] **References Cited**

U.S. PATENT DOCUMENTS

4,162,821 7/1979 Schumacher 385/69 X
5,044,721 9/1991 Nakamura 385/53

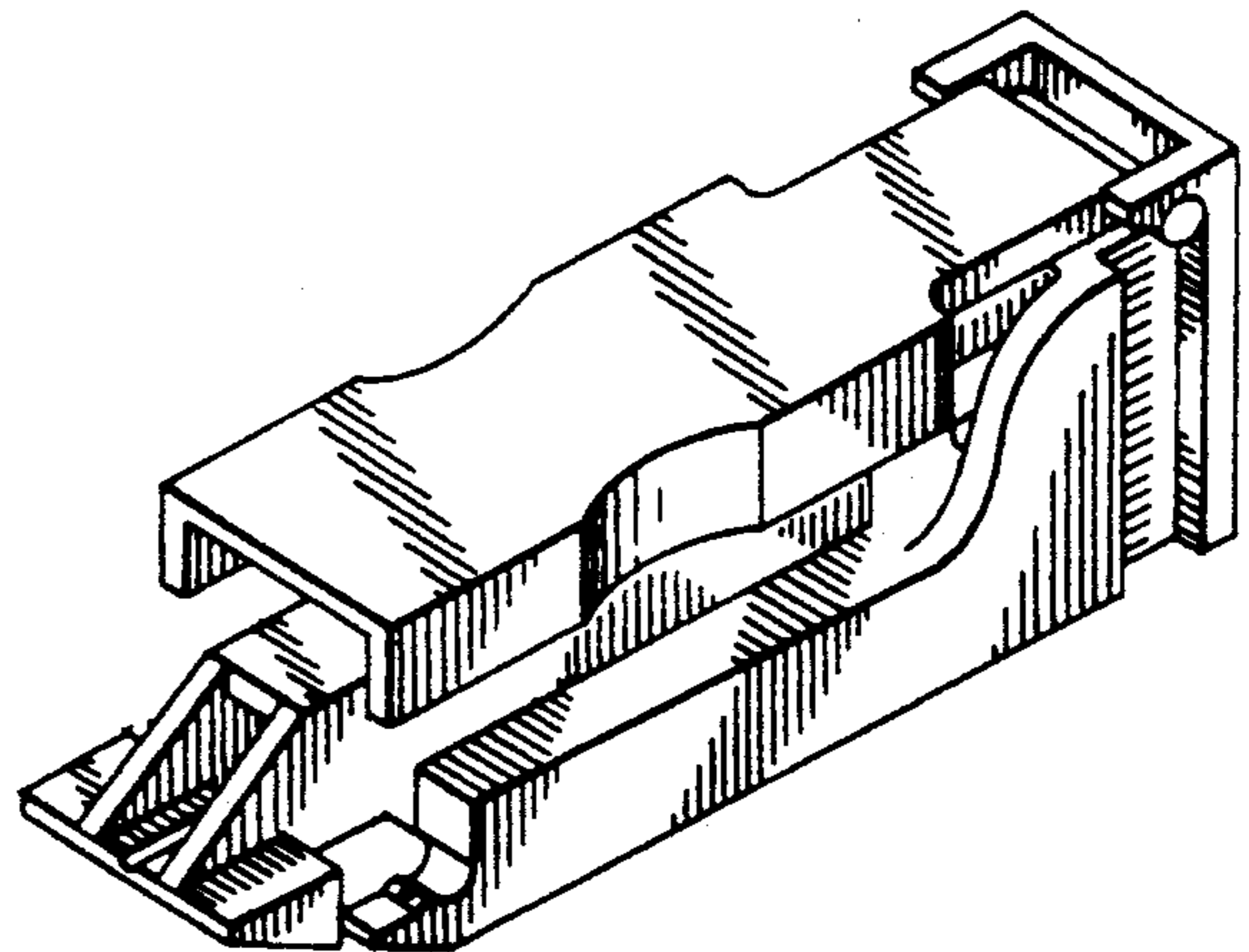
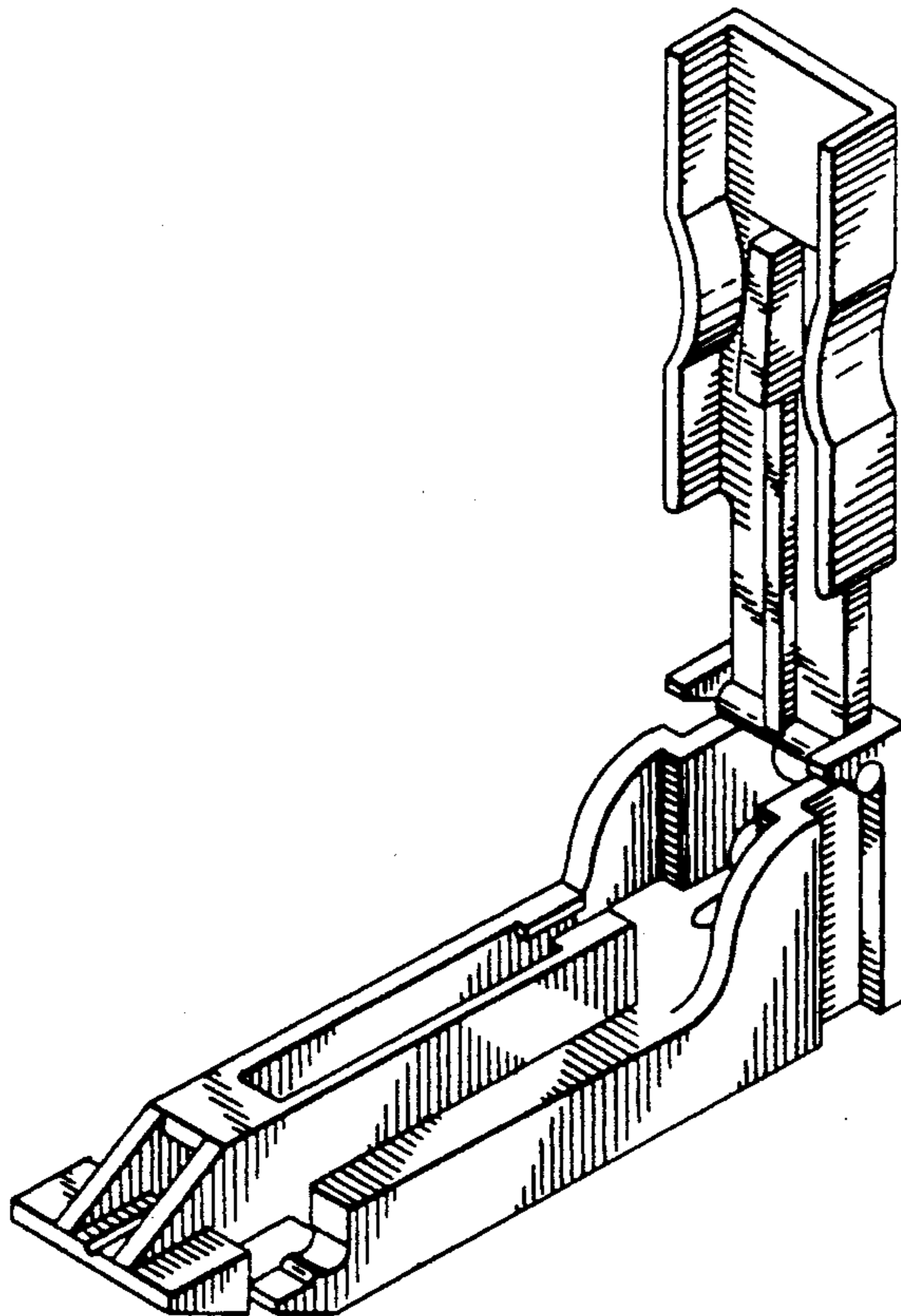
Primary Examiner—Wallace R. Burke
Assistant Examiner—Joel Sincavage
Attorney, Agent, or Firm—Gary L. Griswold; Walter N. Kirn; John C. Barnes

[57] **CLAIM**

The ornamental design for an optical fiber termination module, as shown and described.

DESCRIPTION

FIG. 1 is a rear and upper left perspective view of an optical fiber termination module showing our new design in the open position;
FIG. 2 is a rear and upper left perspective view of an optical fiber termination module shown in the closed position;
FIG. 3 is a left side elevational view thereof, the right side elevational view thereof being a mirror image;
FIG. 4 is a front elevational view thereof;
FIG. 5 is a top plan view thereof;
FIG. 6 is a bottom plan view thereof; and
FIG. 7 is a rear elevational thereof.



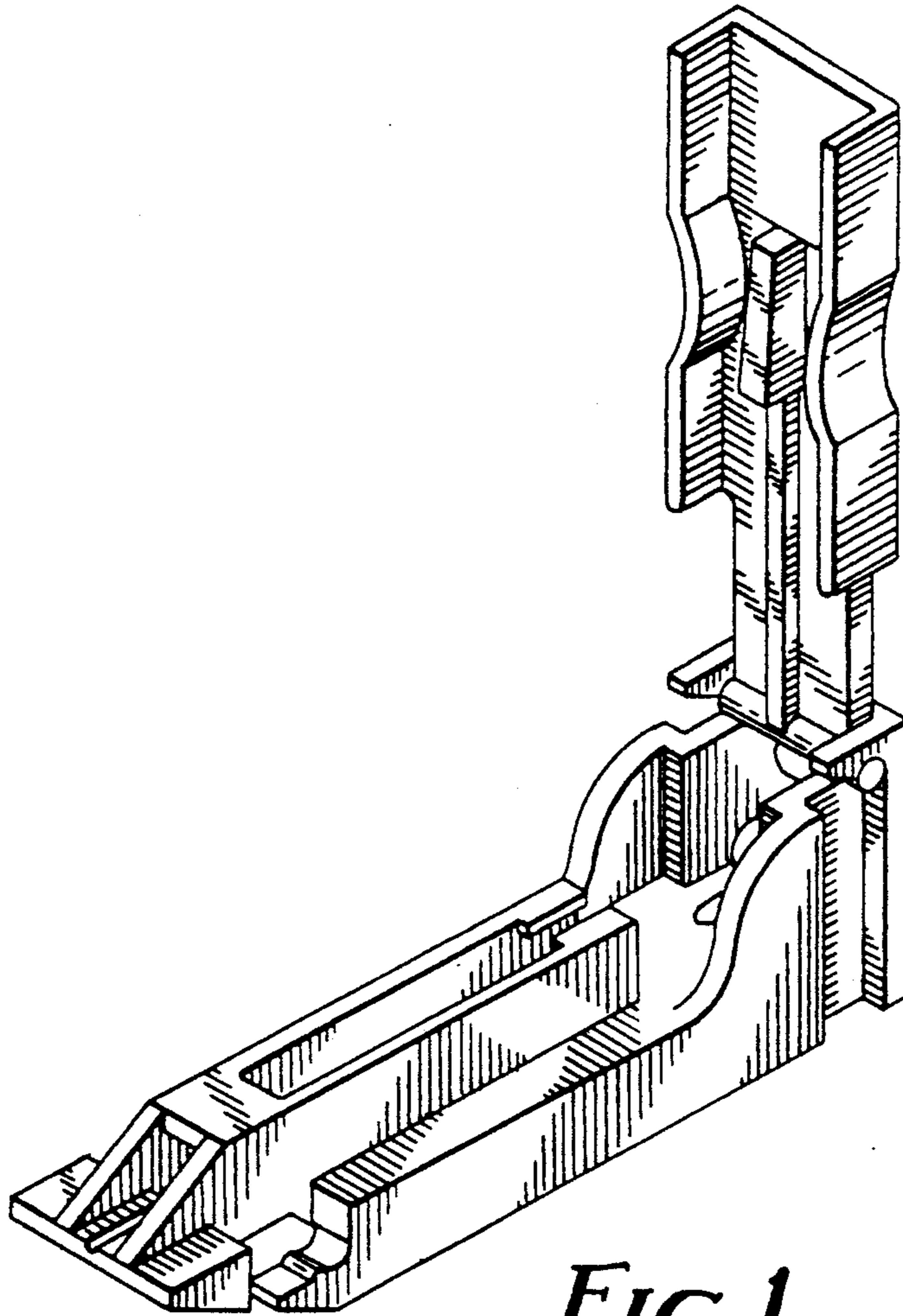


FIG. 1

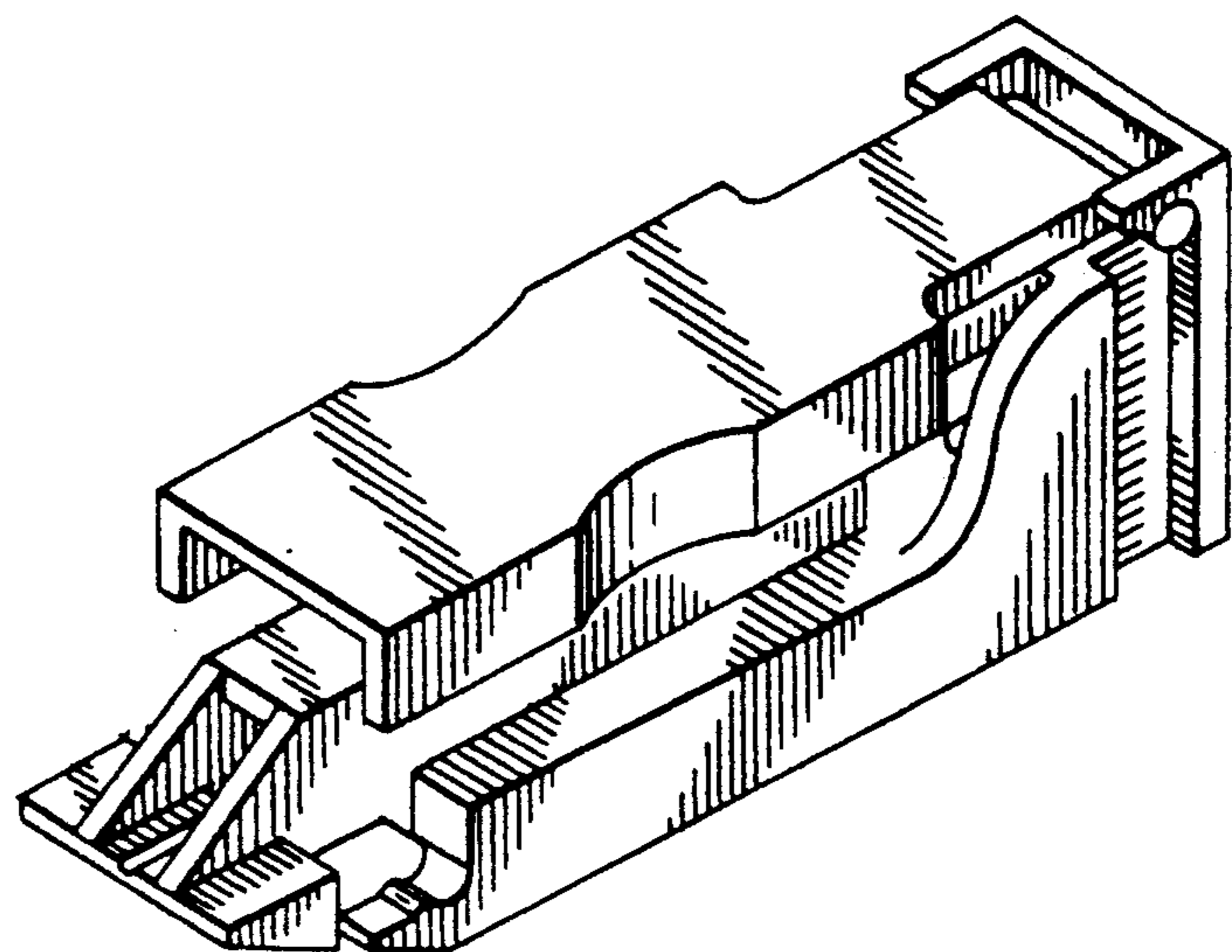


FIG. 2

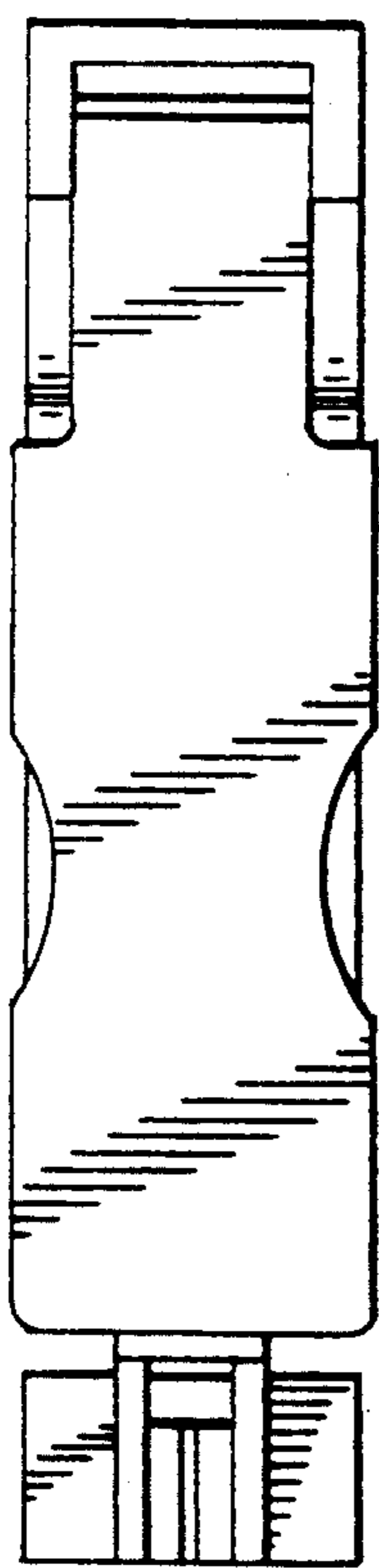


FIG. 5

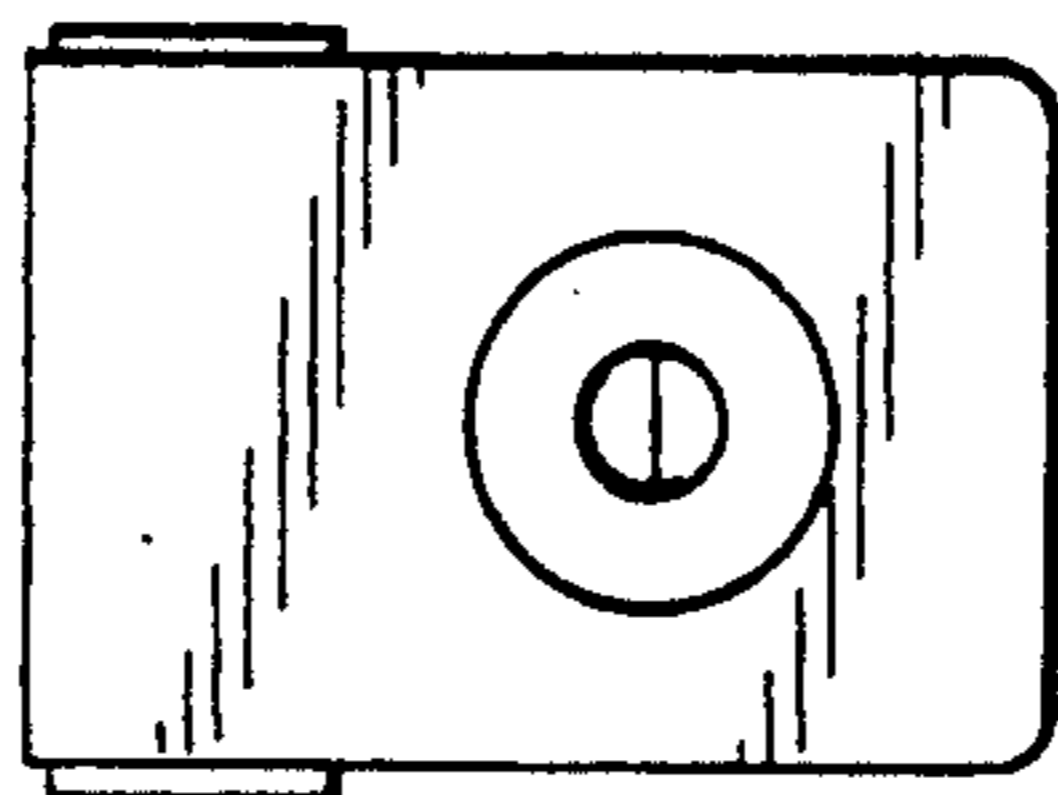


FIG. 4

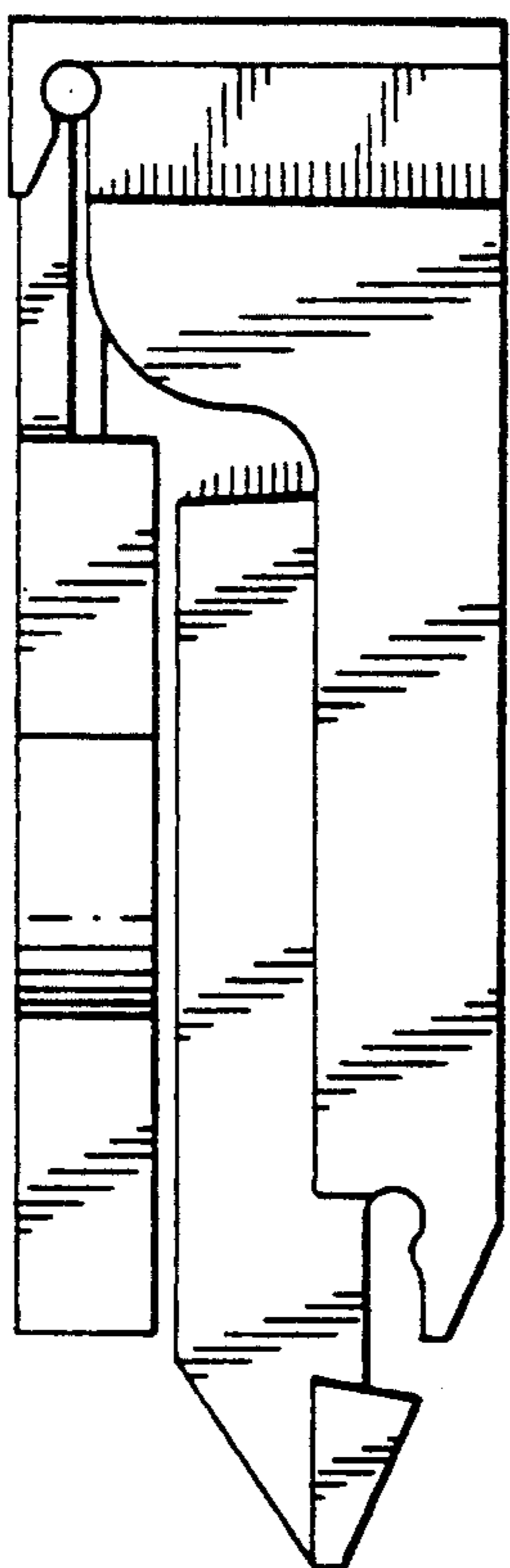


FIG. 3

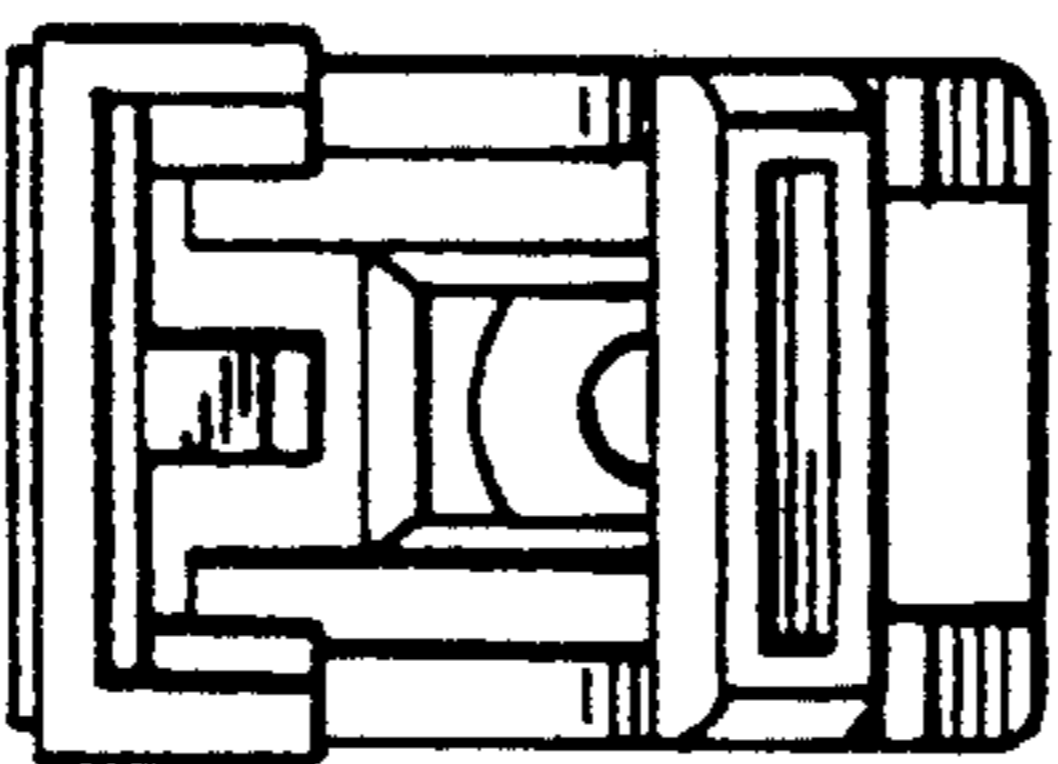


FIG. 7

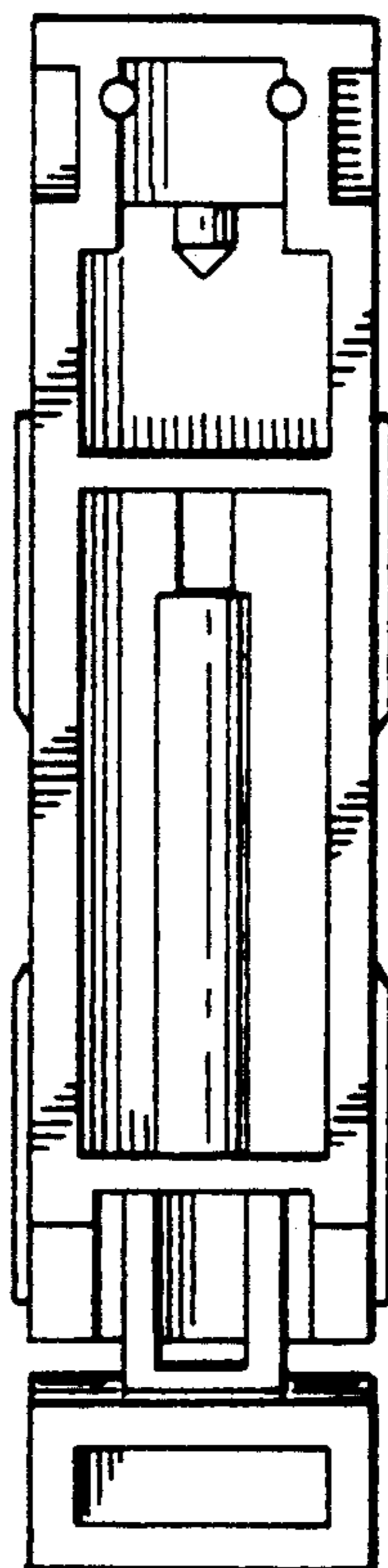


FIG. 6