



US00D332251S

United States Patent [19]
Meinel

[11] **Patent Number: Des. 332,251**
[45] **Date of Patent: ** Jan. 5, 1993**

[54] **ELECTRICAL CONNECTOR FOR HOUSING ELECTRONIC CIRCUITS**

[75] **Inventor: Wally B. Meinel, Tucson, Ariz.**

[73] **Assignee: Burr-Brown Corporation, Tucson, Ariz.**

[**] **Term: 14 Years**

[21] **Appl. No.: 690,539**

[22] **Filed: Apr. 23, 1991**

[52] **U.S. Cl. D13/138; D13/133**

[58] **Field of Search D13/133, 137, 139, 140, D13/141; 439/595, 600, 620, 676, 680, 692; 336/200**

[56] **References Cited**

U.S. PATENT DOCUMENTS

- D. 086,515 3/1932 Cox D13/147
- D. 281,481 12/1985 Kaufman D13/133
- 4,067,634 1/1978 Hoffman D13/141 X
- 4,243,287 1/1981 Smith et al. 439/595 X

FOREIGN PATENT DOCUMENTS

- 3403609 8/1984 Fed. Rep. of Germany 439/680
- 2193048 1/1988 United Kingdom 439/679

Primary Examiner—Wallace R. Burke
Assistant Examiner—Joel Sincavage
Attorney, Agent, or Firm—Cahill, Sutton & Thomas

[57] **CLAIM**

The ornamental design for a electrical connector for housing electronic circuits, as shown and described.

DESCRIPTION

FIG. 1 is a front and upper left perspective view of an electrical connector for housing electronic circuits showing my new design. The broken line showing of the strain reliever is included for the purpose of illustrating environmental elements only and forms no part of the claimed design;

FIG. 2 is a right side elevational view thereof, the left side elevational view being a mirror image thereof;

FIG. 3 is a front elevational view thereof;

FIG. 4 is a rear elevational view thereof;

FIG. 5 is a bottom plan view thereof;

FIG. 6 is a top plan view thereof;

FIG. 7 is a front and upper left perspective view of an electrical connector for housing electronic circuits showing a second embodiment of the design. The broken line showing of the strain reliever is included for the purpose of illustrating environmental elements only and forms no part of the claimed design;

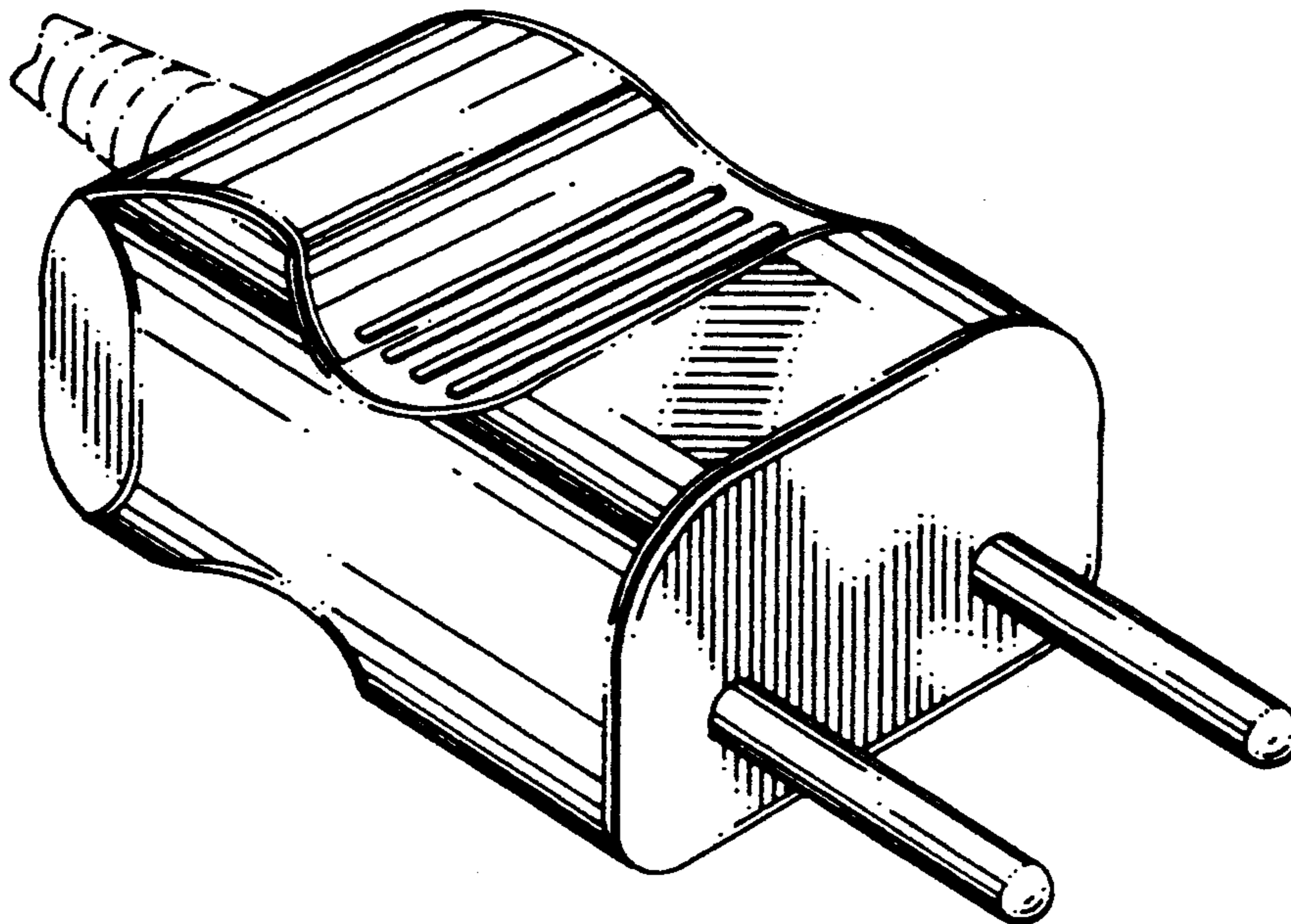
FIG. 8 is a right side elevational view of the alternate embodiment;

FIG. 9 is a front elevational view thereof;

FIG. 10 is a rear elevational view thereof;

FIG. 11 is a bottom plan view thereof; and,

FIG. 12 is a top plan view thereof.



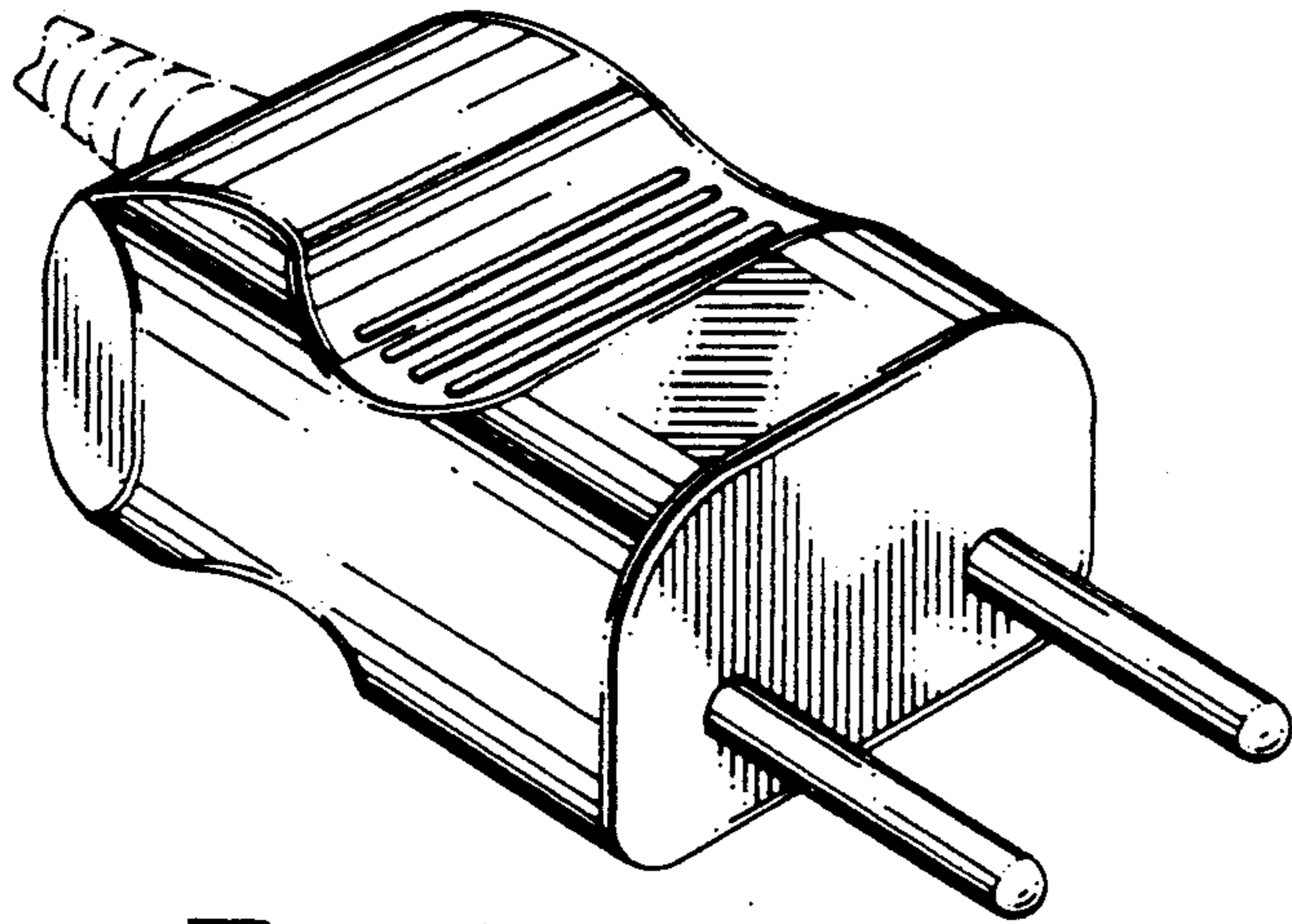


FIG. 1

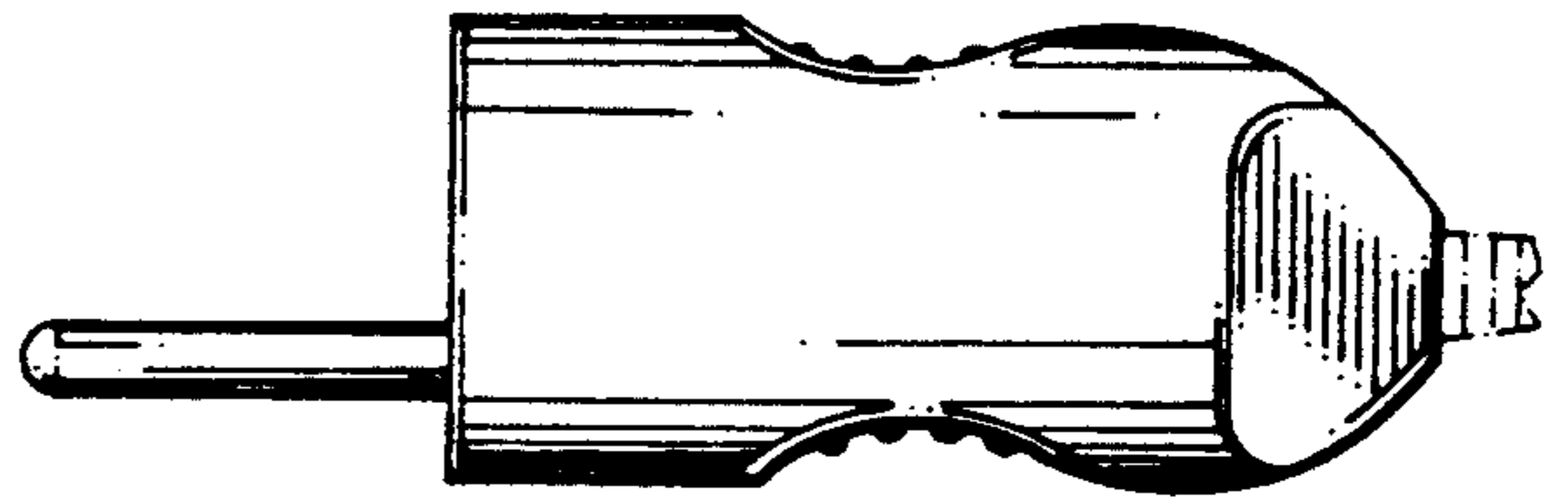


FIG. 2

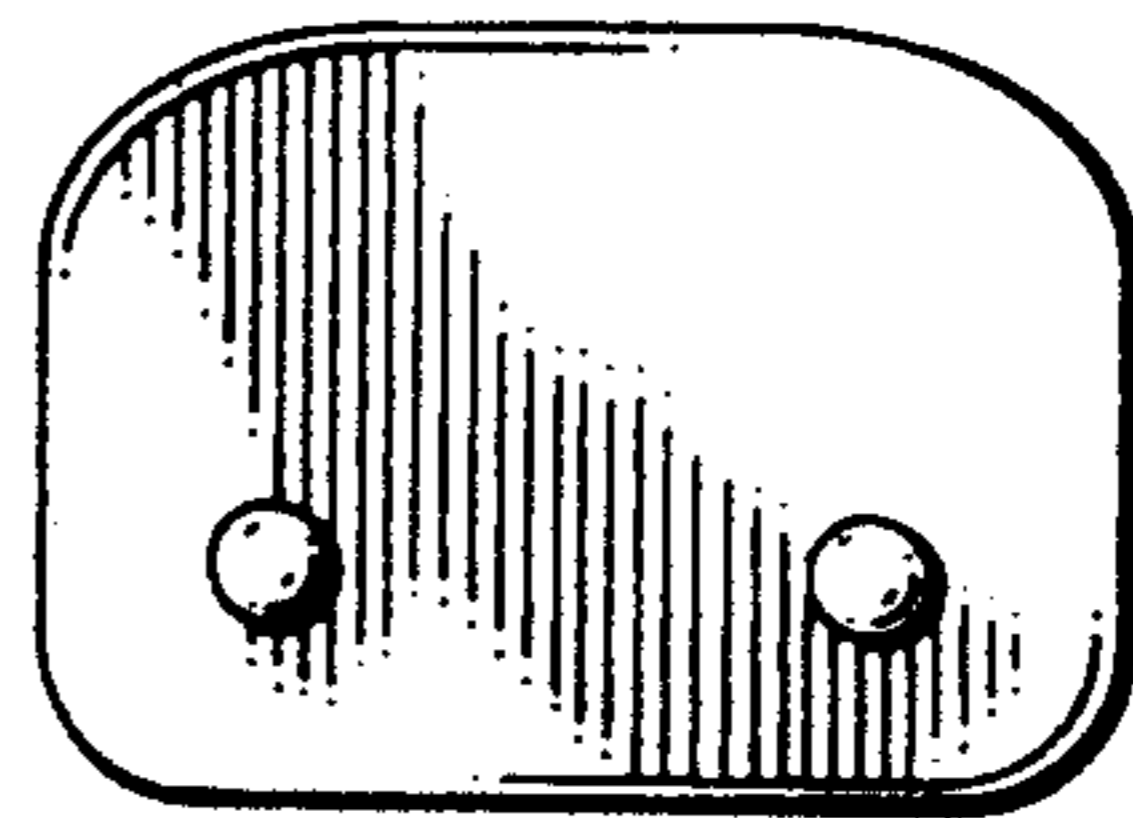


FIG. 3

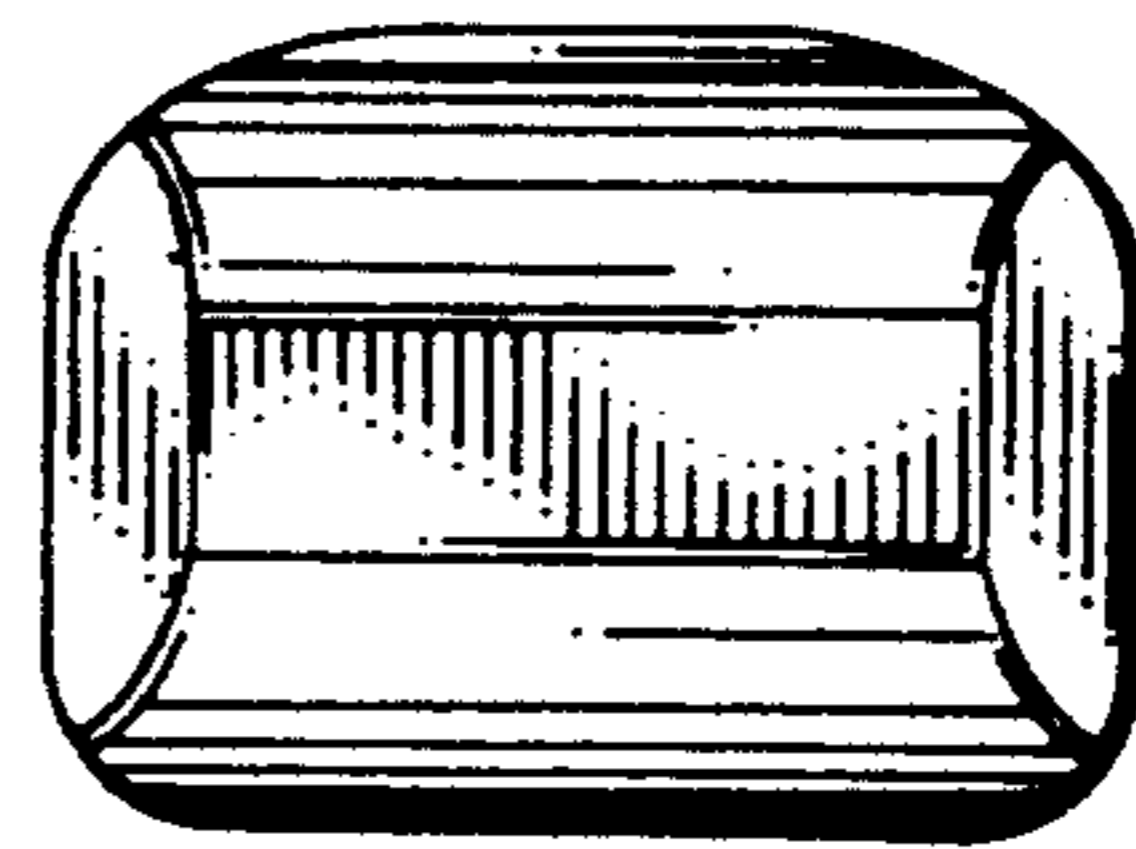


FIG. 4

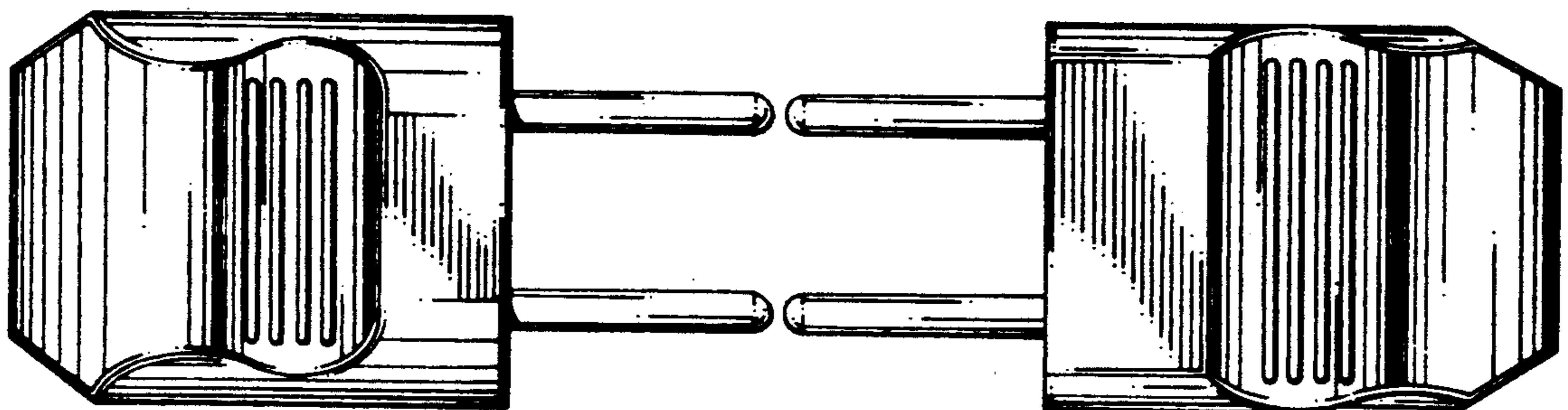


FIG. 6

FIG. 5

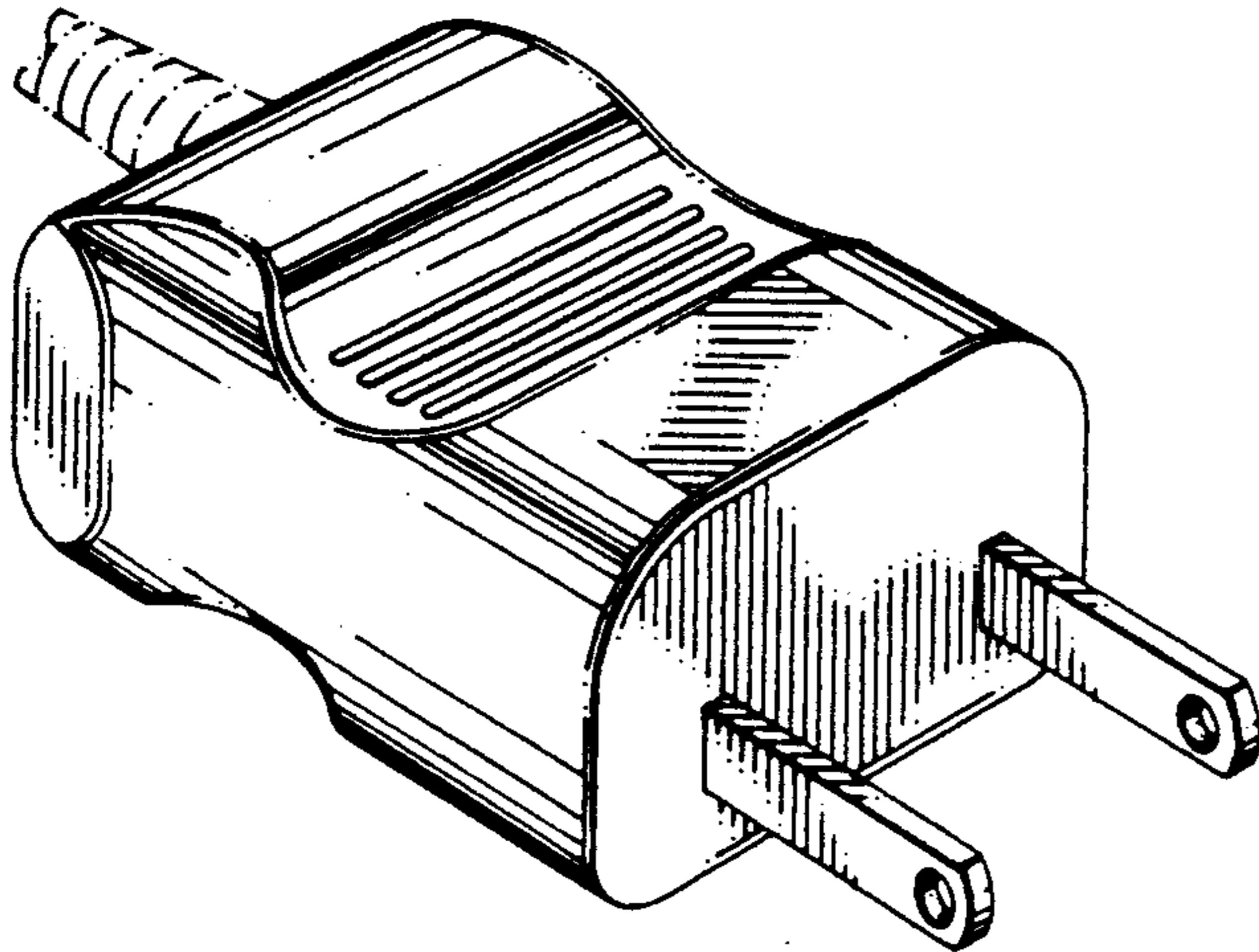


FIG. 7

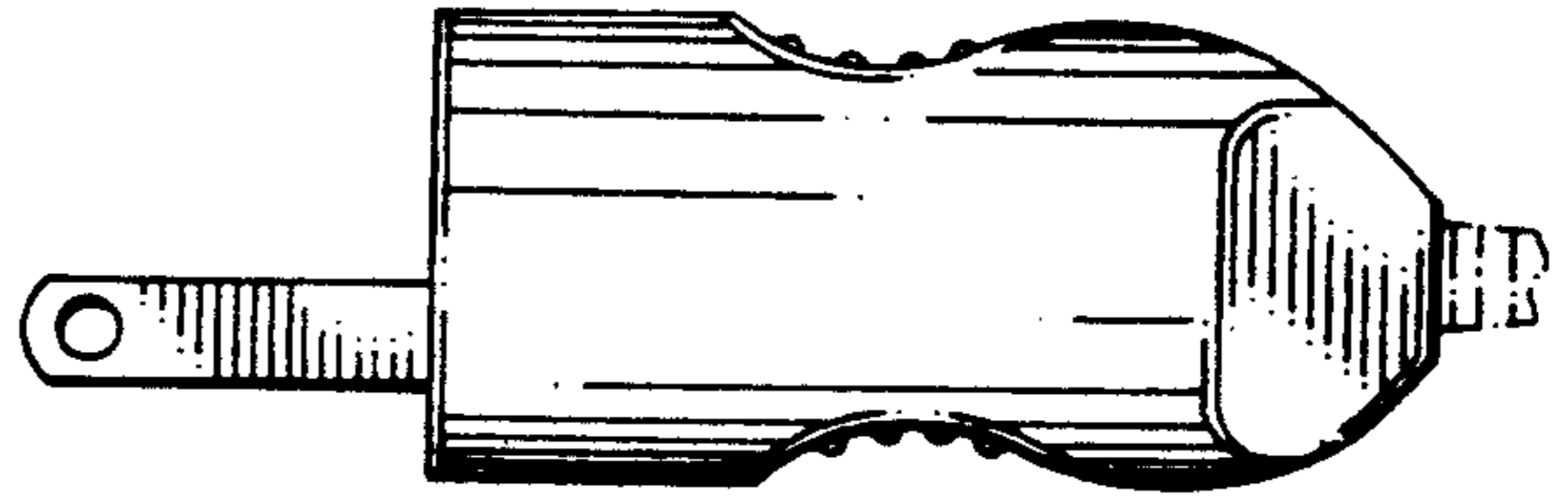


FIG. 8

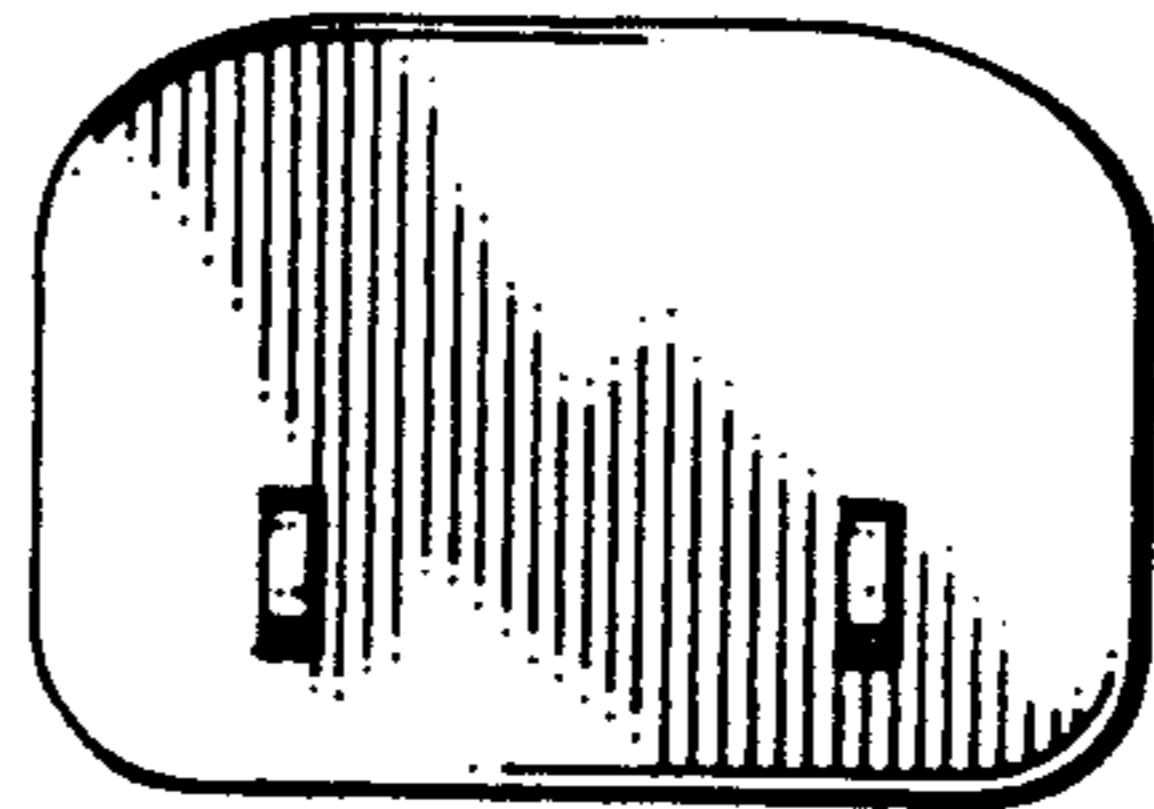


FIG. 9

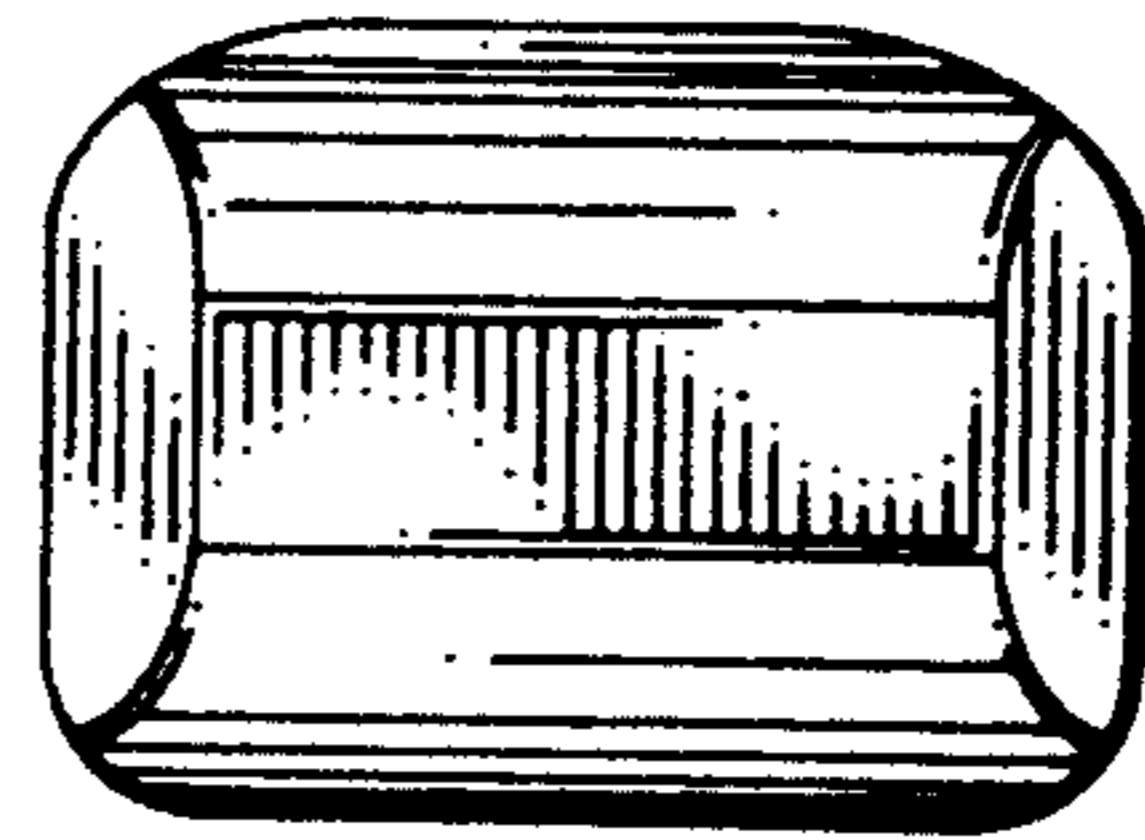


FIG. 10

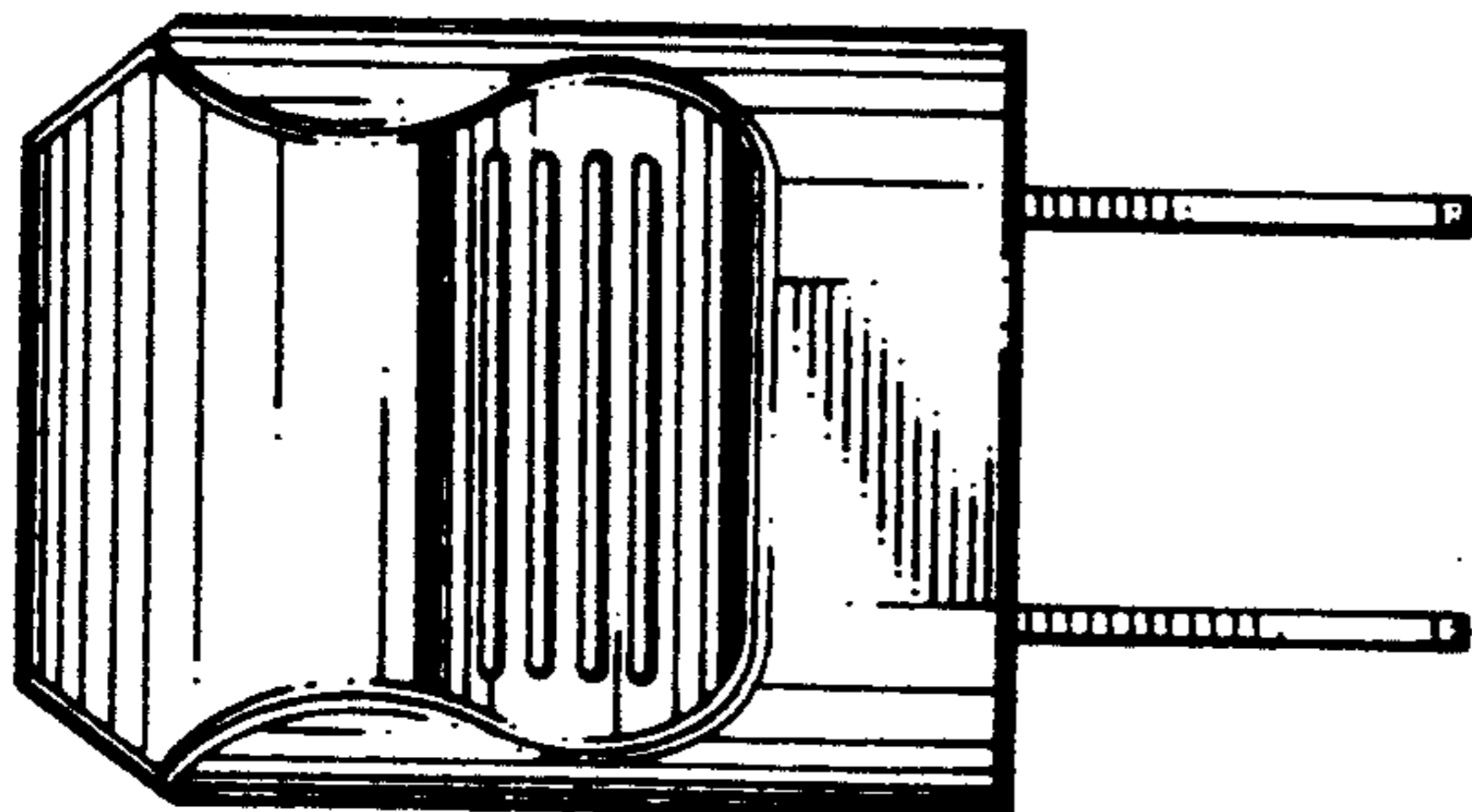


FIG. 12

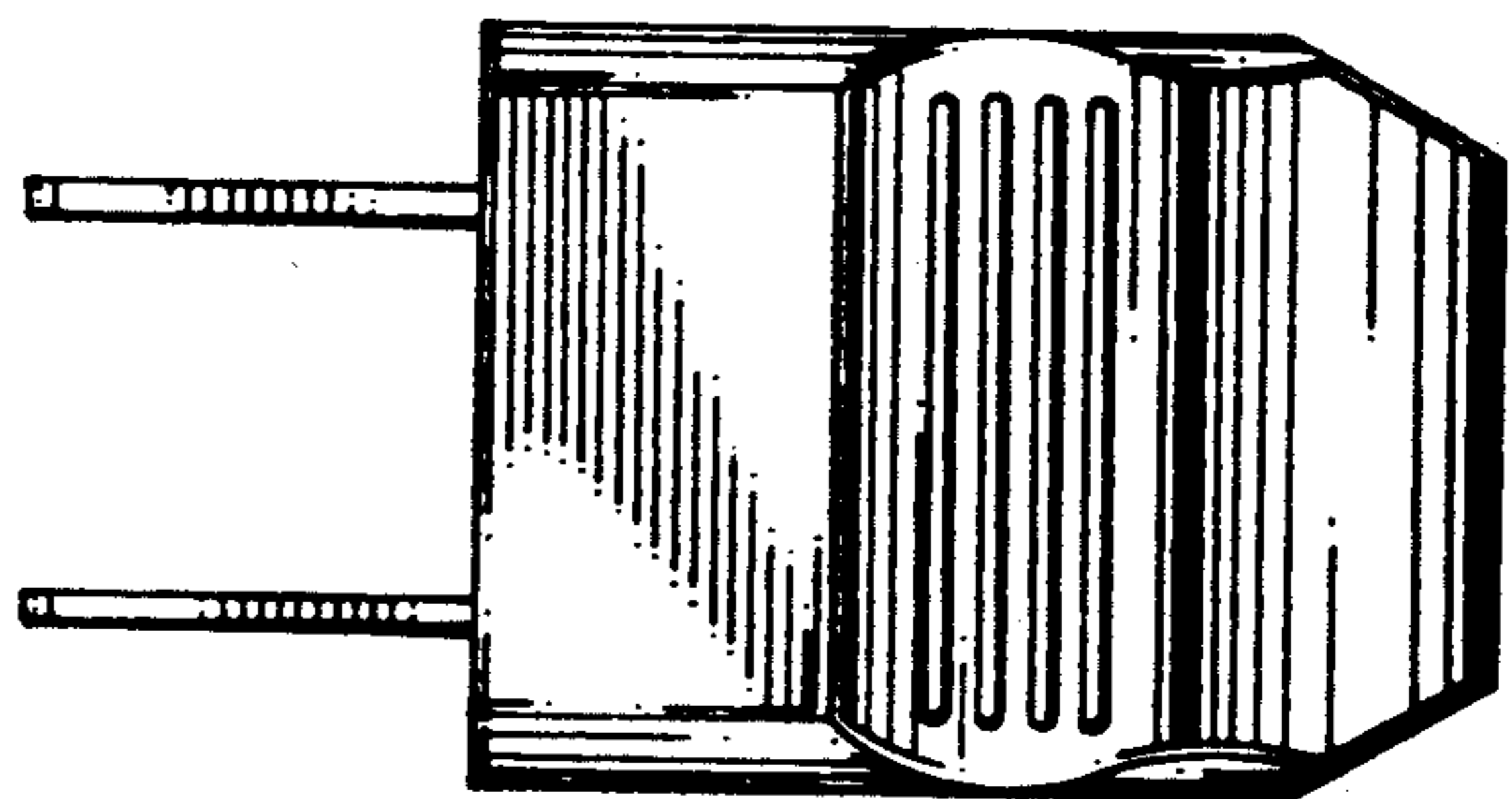


FIG. 11