



US00D332249S

# United States Patent [19]

[11] Patent Number: **Des. 332,249**

Harper

[45] Date of Patent: **\*\* Jan. 5, 1993**

[54] **SIMULATOR**

[75] Inventor: **Stephen J. Harper**, Balsall Common, United Kingdom

[73] Assignee: **Rediffusion Simulation Limited**, Crawley, United Kingdom

[\*\*] Term: **14 Years**

[21] Appl. No.: **524,067**

[22] Filed: **May 16, 1990**

[30] **Foreign Application Priority Data**

Nov. 22, 1989 [GB] United Kingdom ..... 2002704

[52] U.S. Cl. .... **D12/320**

[58] Field of Search ..... **D12/319, 320; 434/38, 434/39, 37, 40, 45**

[56] **References Cited**

**U.S. PATENT DOCUMENTS**

4,123,050 10/1978 Casado ..... 434/39  
4,164,080 8/1979 Kosydar et al. .... 434/38

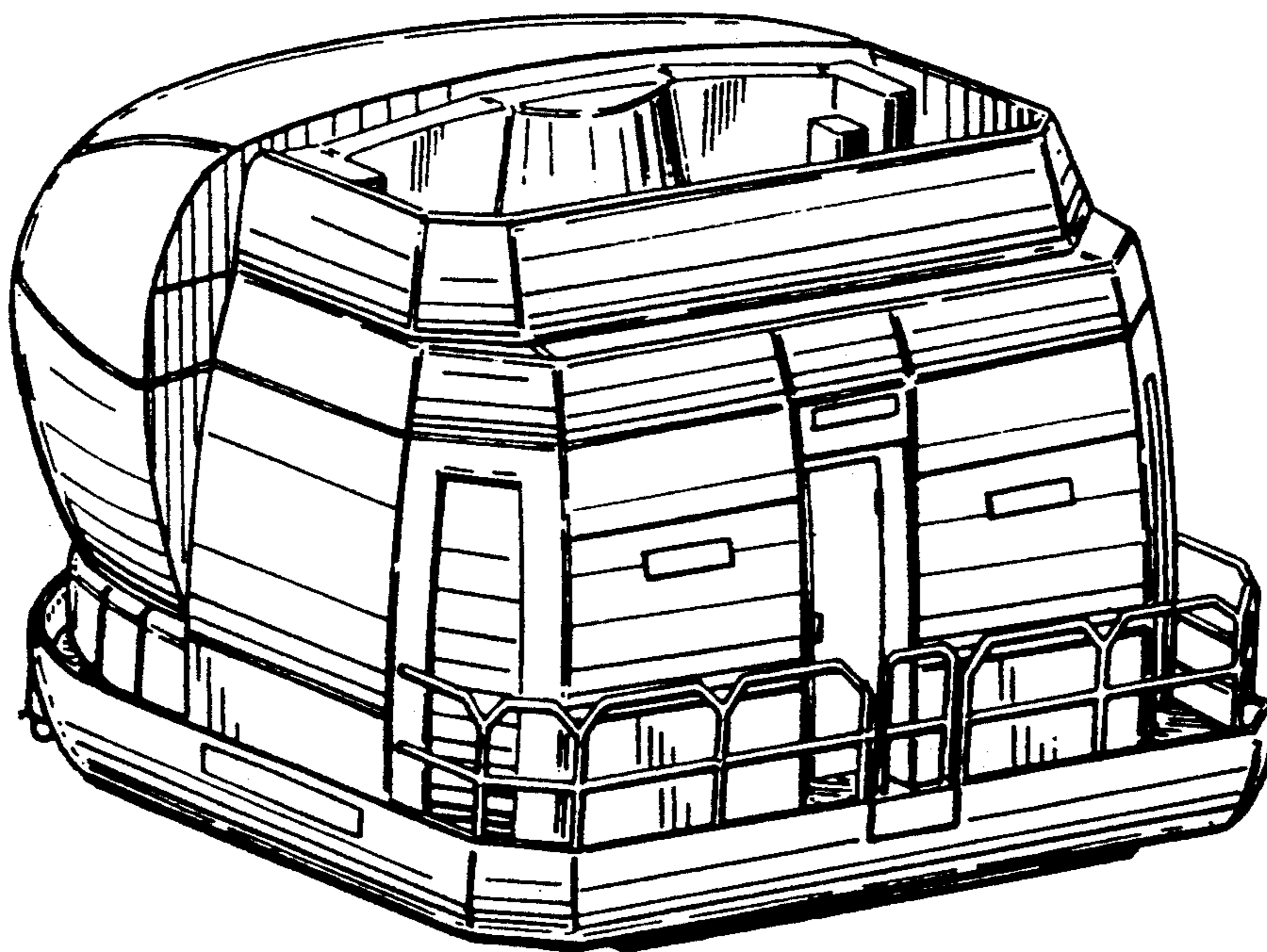
*Primary Examiner*—Kay H. Chin  
*Attorney, Agent, or Firm*—Nixon & Vanderhye

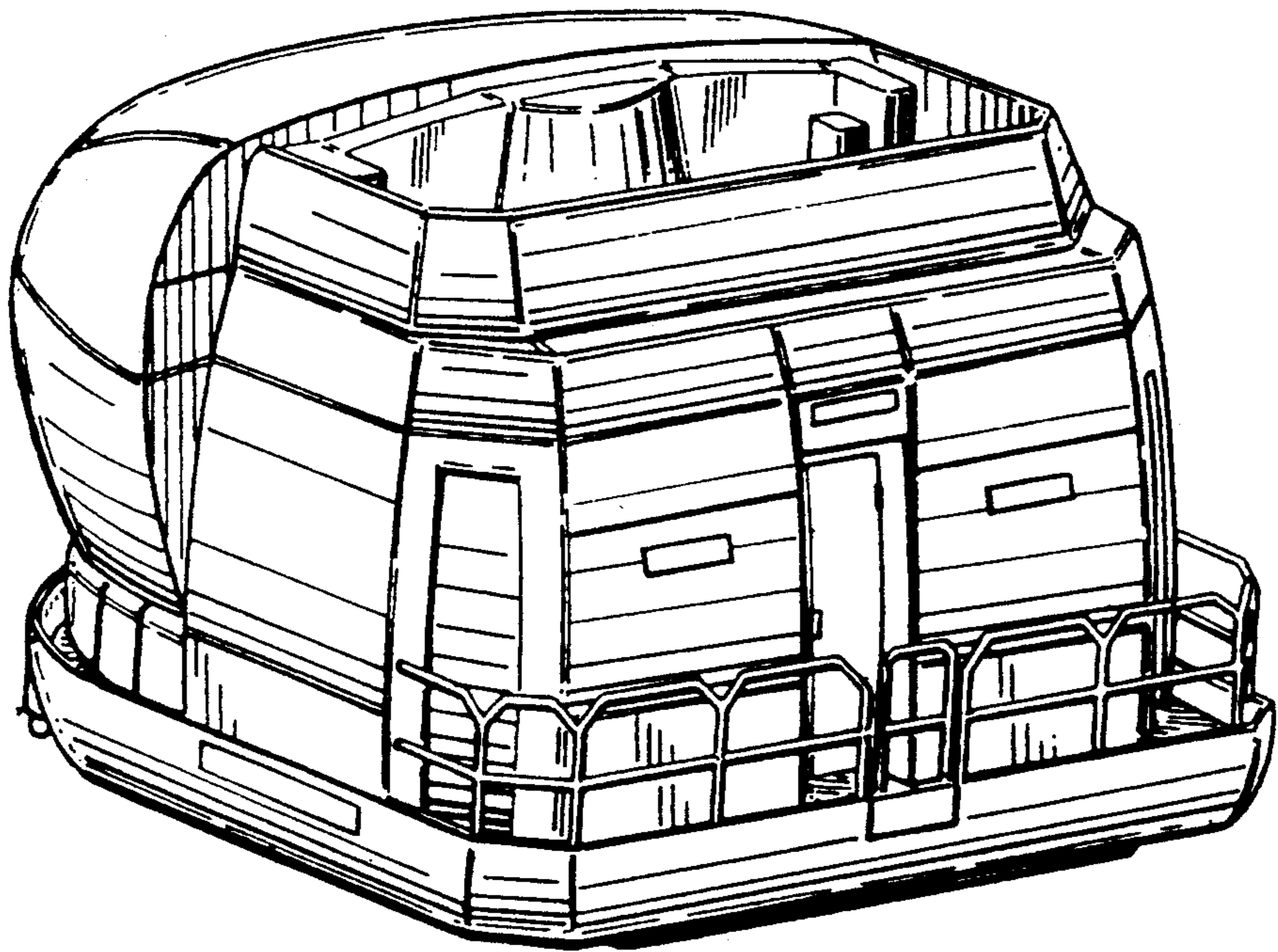
[57] **CLAIM**

The ornamental design for a simulator, as shown and described.

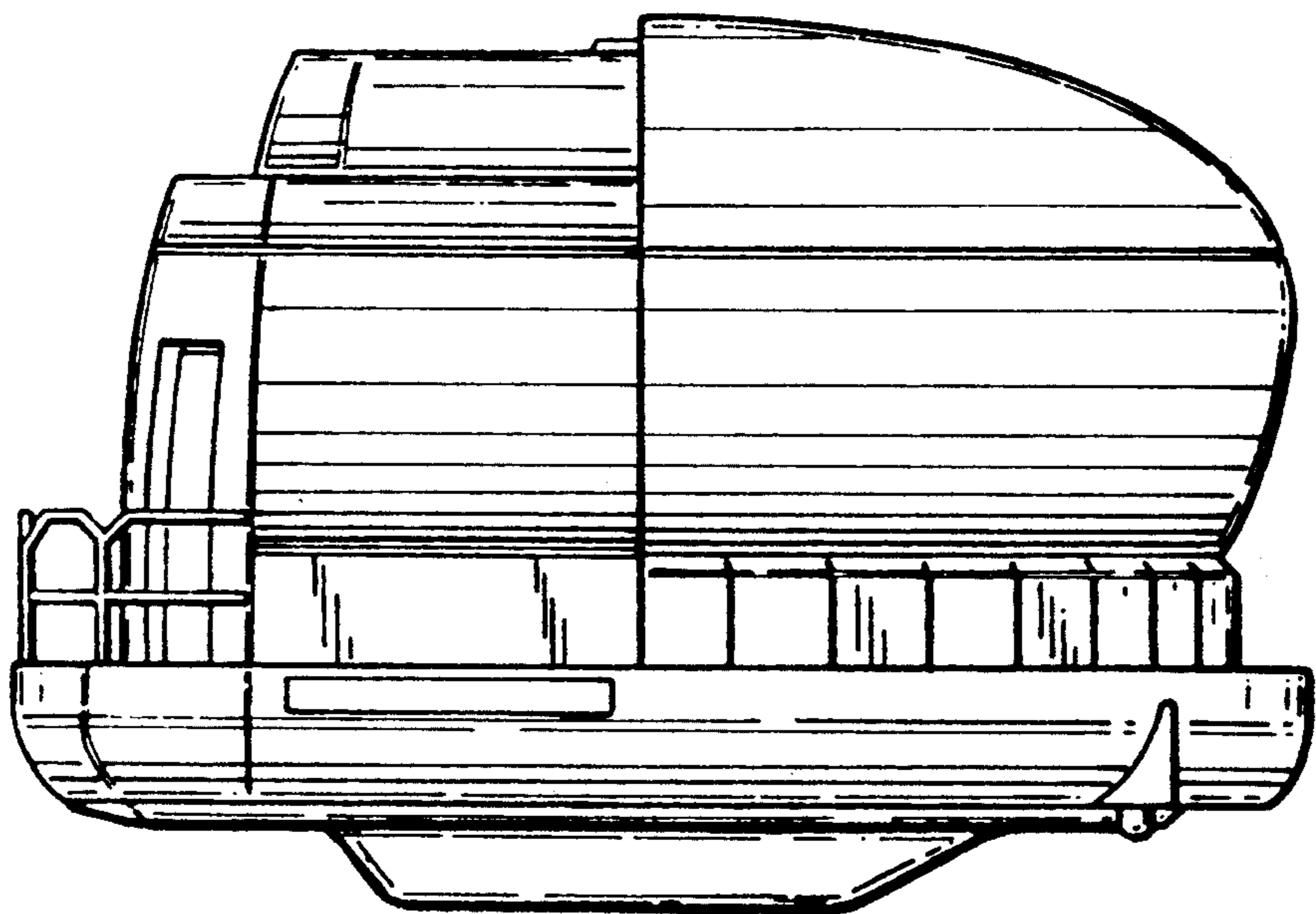
**DESCRIPTION**

FIG. 1 is a rear, left side and top perspective view of a simulator showing my new design;  
FIG. 2 is a right side elevational view thereof;  
FIG. 3 is a front, right side and top perspective view thereof;  
FIG. 4 is a rear elevational view thereof;  
FIG. 5 is a front elevational view thereof; and,  
FIG. 6 is a top plan view thereof.

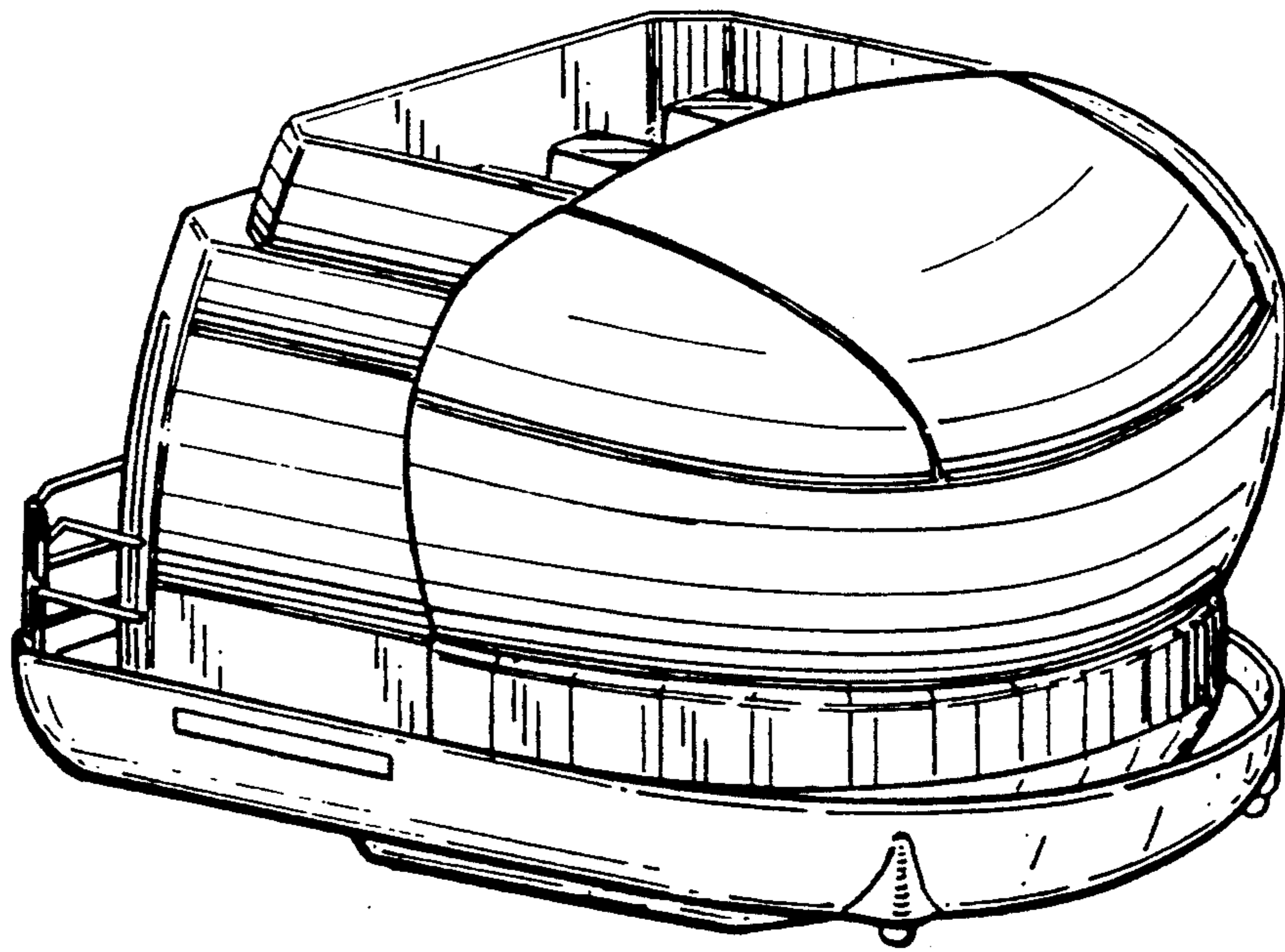




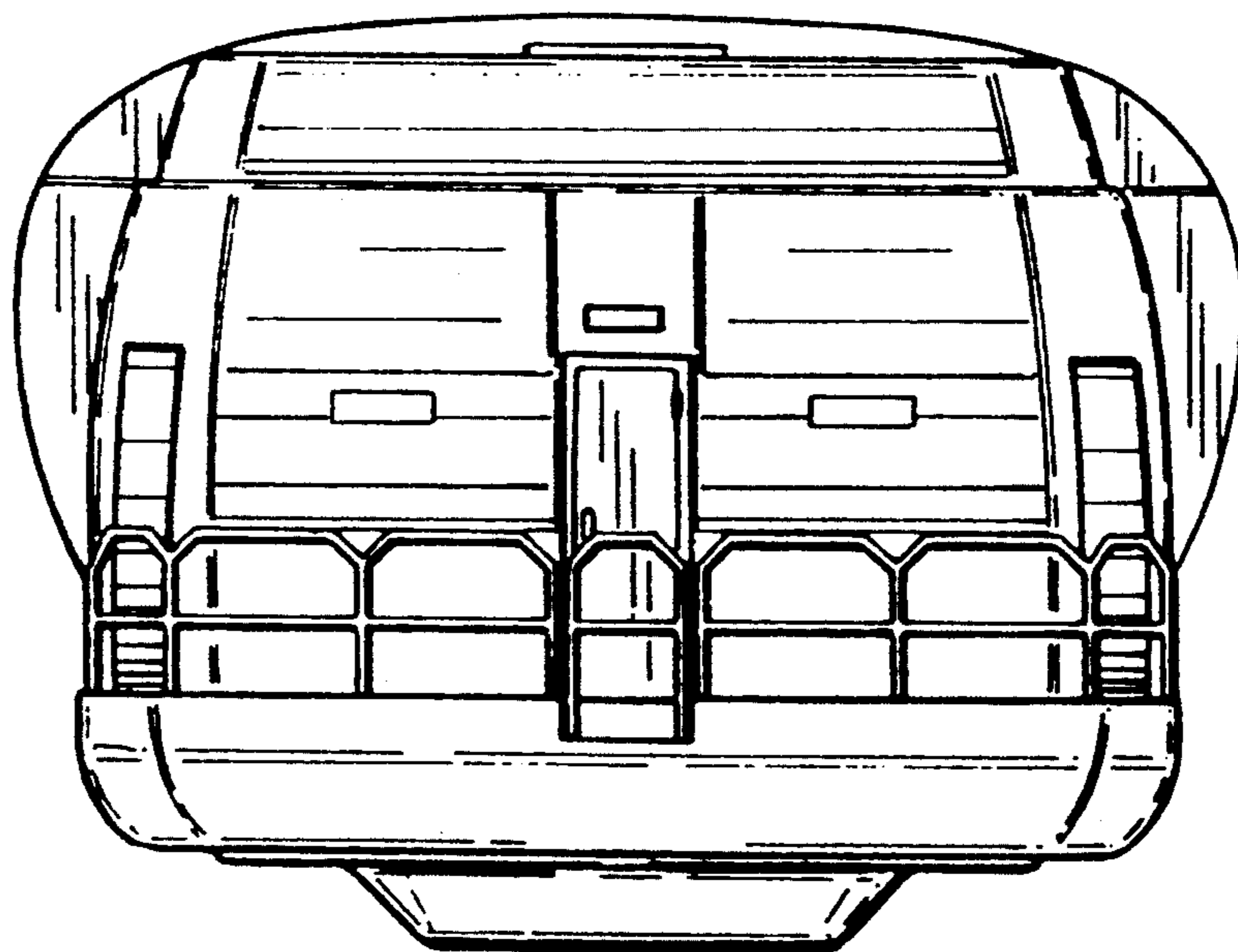
**FIG. 1**



**FIG. 2**

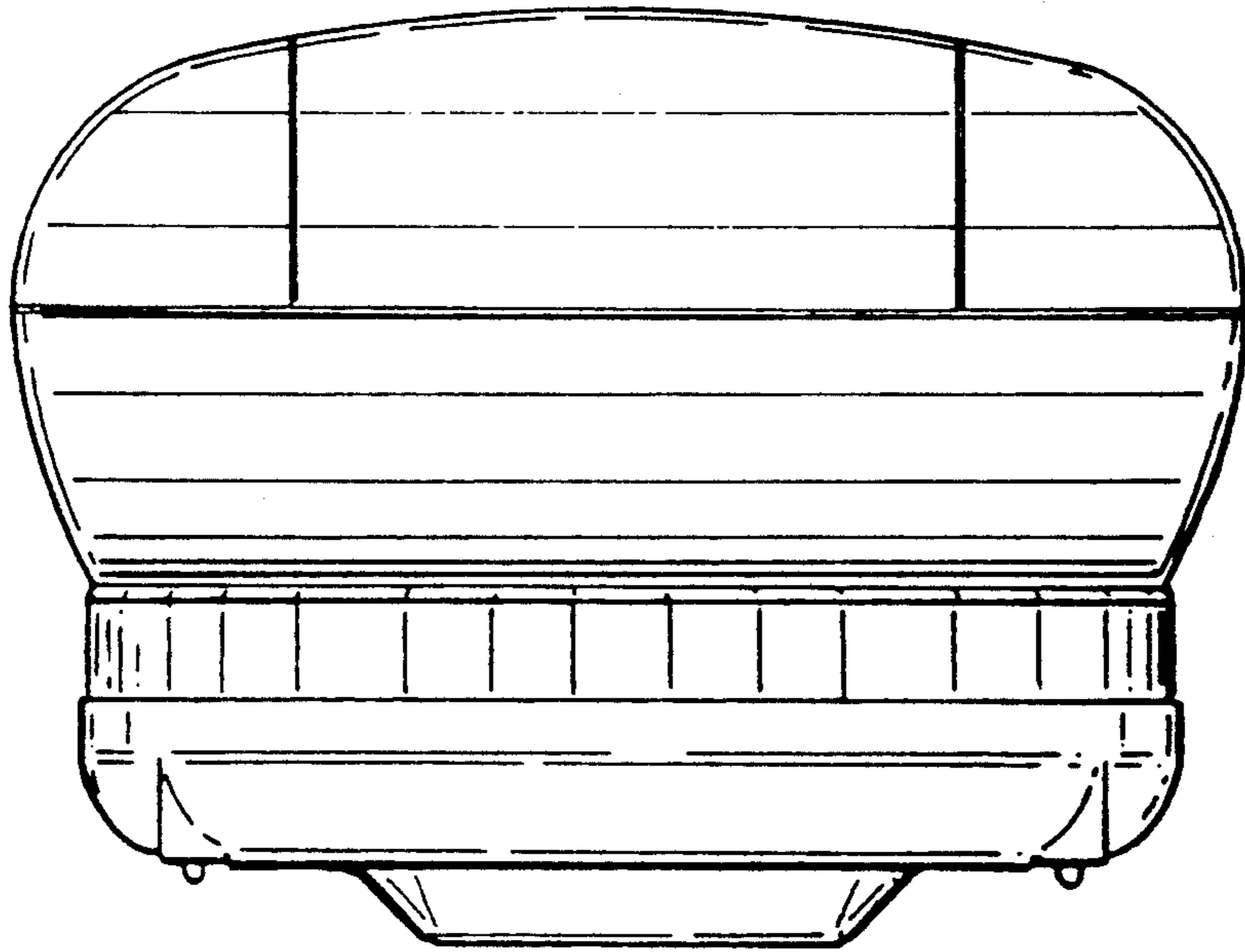


**FIG. 3**

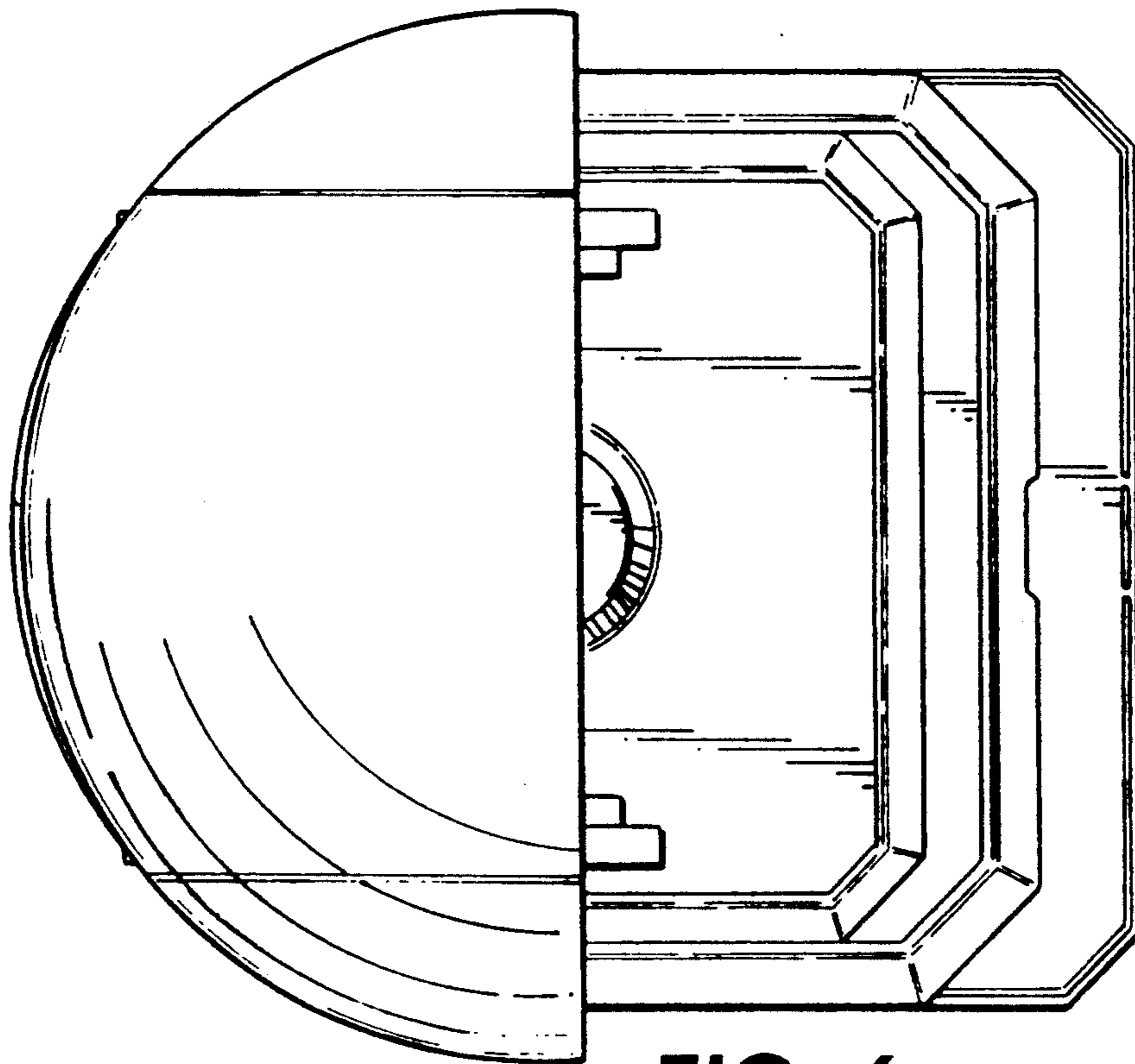


**FIG. 4**





**FIG. 5**



**FIG. 6**