



US00D332248S

United States Patent [19]

[11] Patent Number: **Des. 332,248**

Harper

[45] Date of Patent: **** Jan. 5, 1993**

[54] **SIMULATOR**

[75] Inventor: **Stephen J. Harper**, Balsall Common, United Kingdom

[73] Assignee: **Rediffusion Simulation Limited**, Crawley, United Kingdom

[**] Term: **14 Years**

[21] Appl. No.: **524,066**

[22] Filed: **May 16, 1990**

[30] **Foreign Application Priority Data**

Nov. 22, 1989 [GB] United Kingdom 2002703

[52] U.S. Cl. **D12/320**

[58] Field of Search D12/319, 320; 434/38, 434/39, 37, 40, 45

[56] **References Cited**

U.S. PATENT DOCUMENTS

4,123,050 10/1978 Casado 434/39

4,164,080 8/1979 Kosydar et al. 434/38

OTHER PUBLICATIONS

Eureka Transfers Technology, p. 7, May 1990, A

one-page document entitled "It's so simple" depicts some newer flight simulators, one of which is the subject of this application.

Two multi-page brochures relating to current products of the assignee of this application (Rediffusion Simulation Ltd.) including the simulator of this invention. ©1990.

Primary Examiner—Kay H. Chin

Attorney, Agent, or Firm—Nixon & Vanderhye

[57] **CLAIM**

The ornamental design for a simulator, as shown and described.

DESCRIPTION

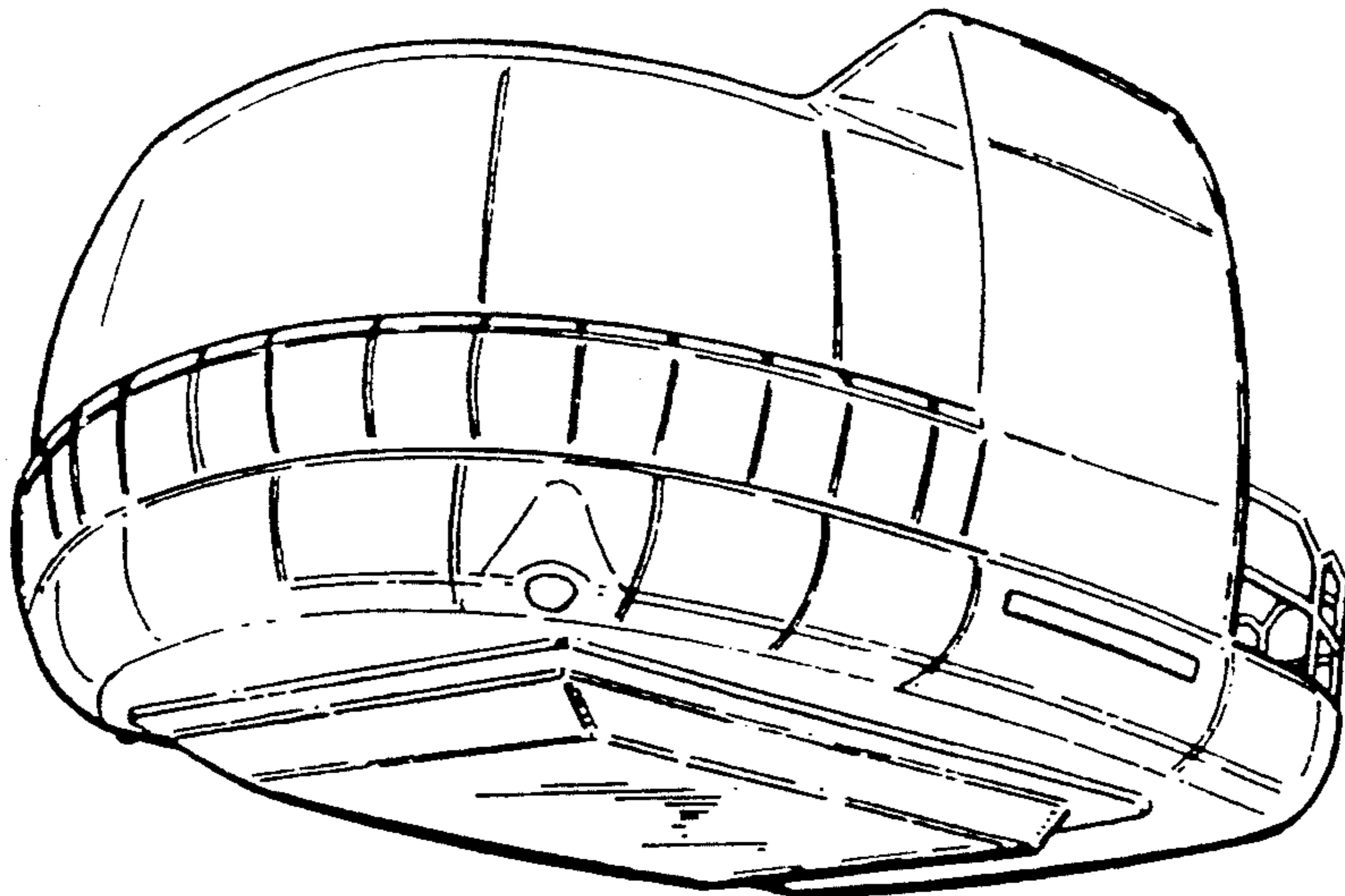
FIG. 1 is a front, right side and bottom perspective view of a simulator showing my new design:

FIG. 2 is a rear, left side and top perspective view thereof:

FIG. 3 is a front elevational view thereof;

FIG. 4 is a rear, right side and top perspective view thereof; and,

FIG. 5 is a top plan view thereof.



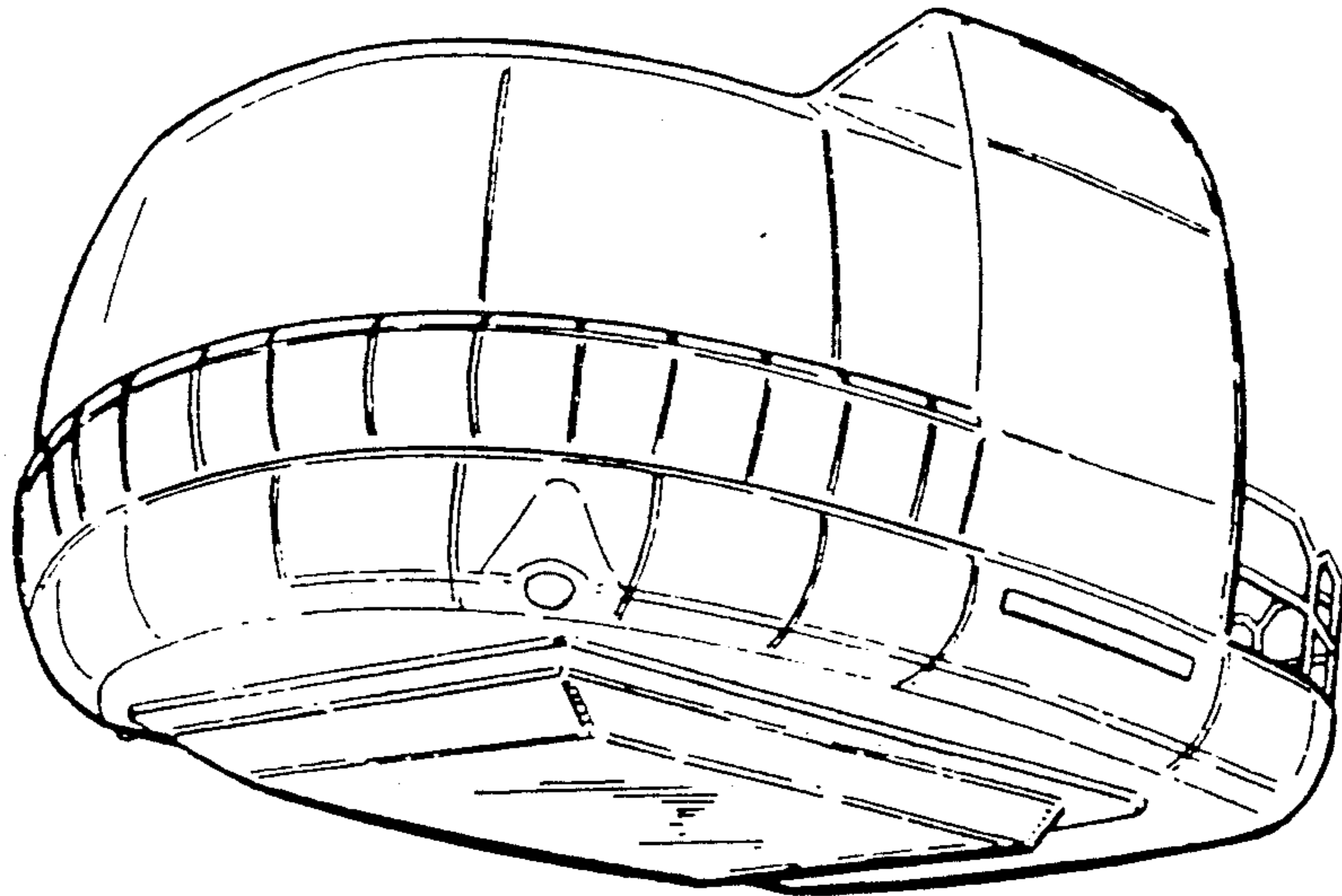


FIG. 1

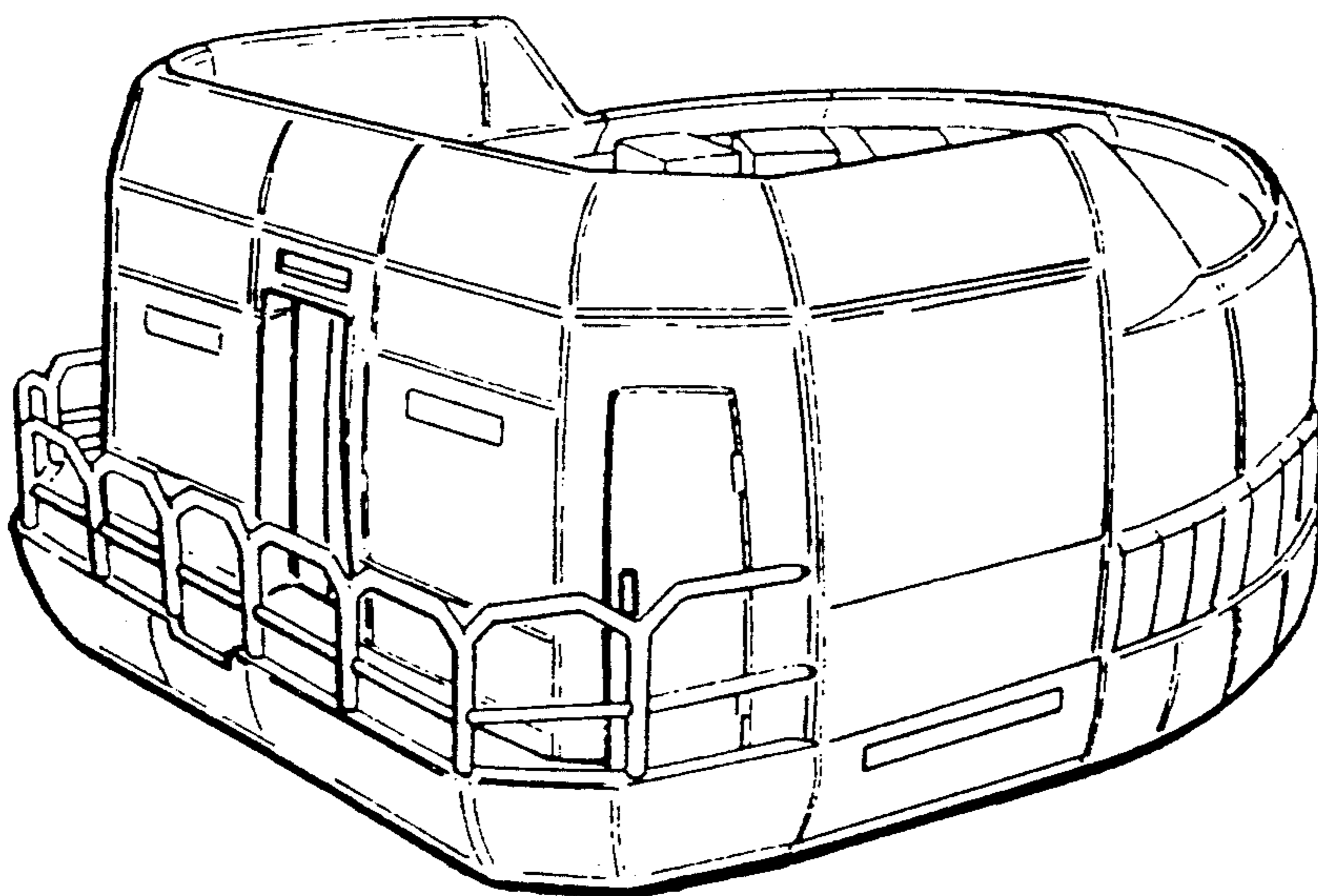


FIG. 2

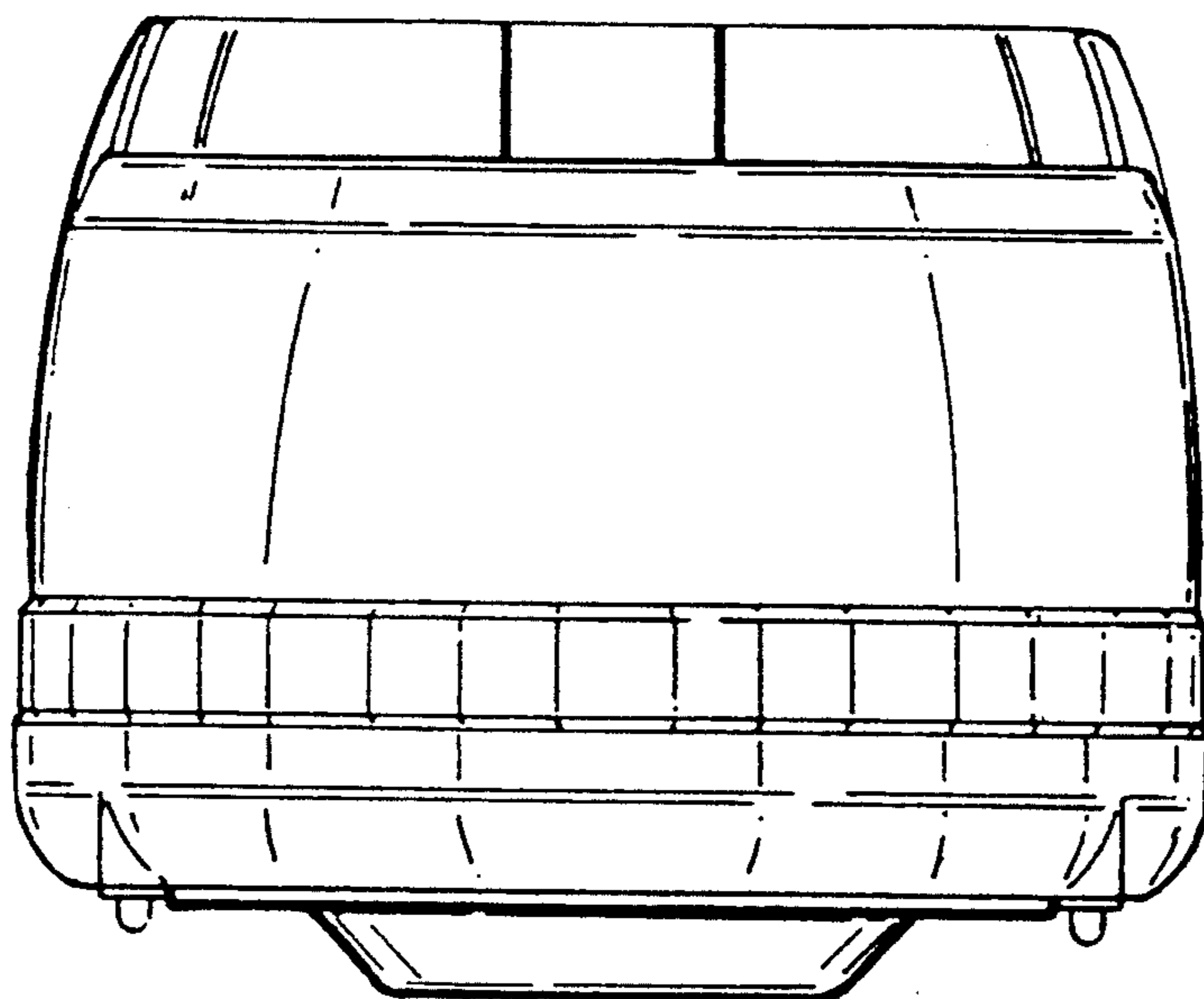


FIG. 3

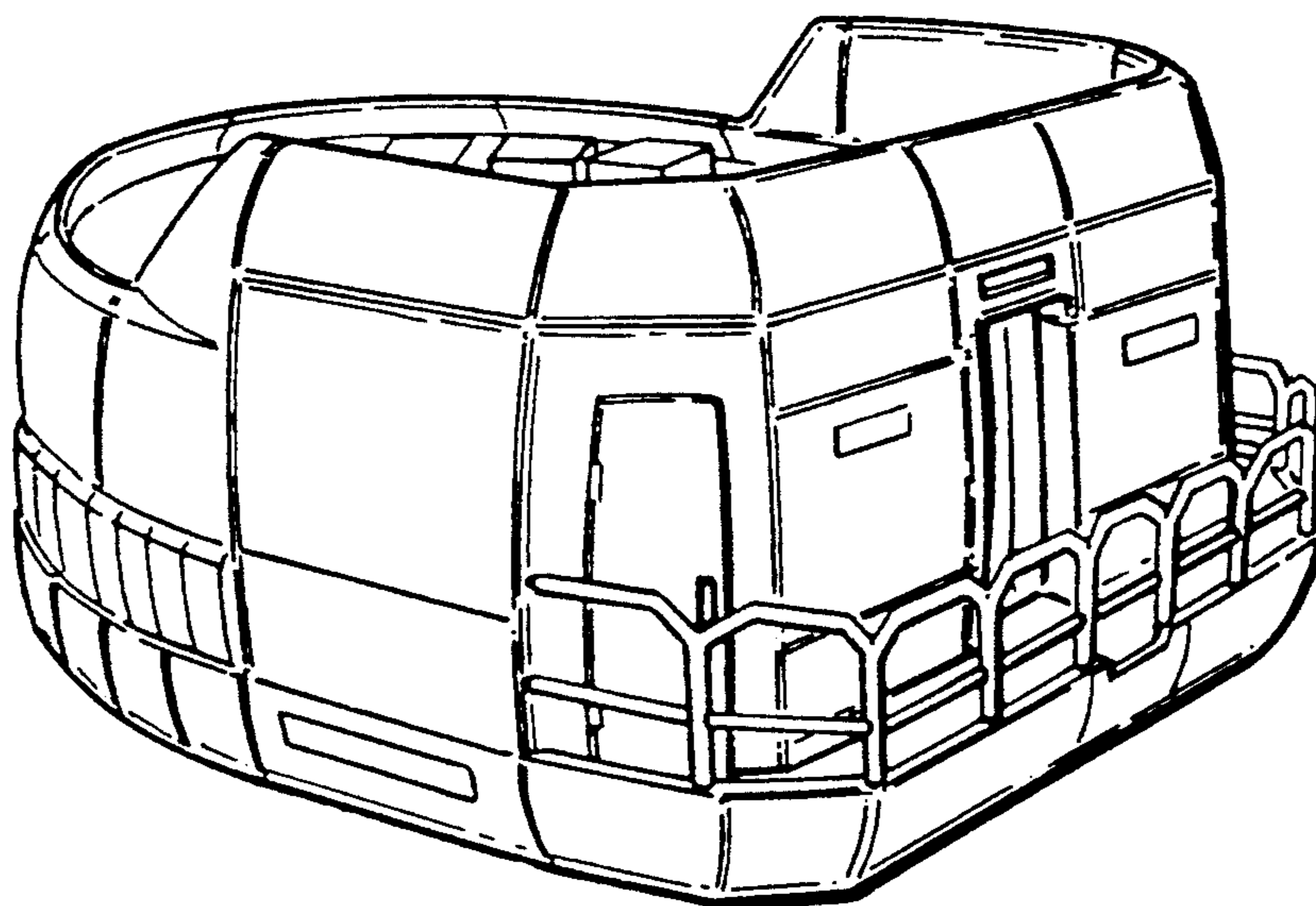


FIG. 4

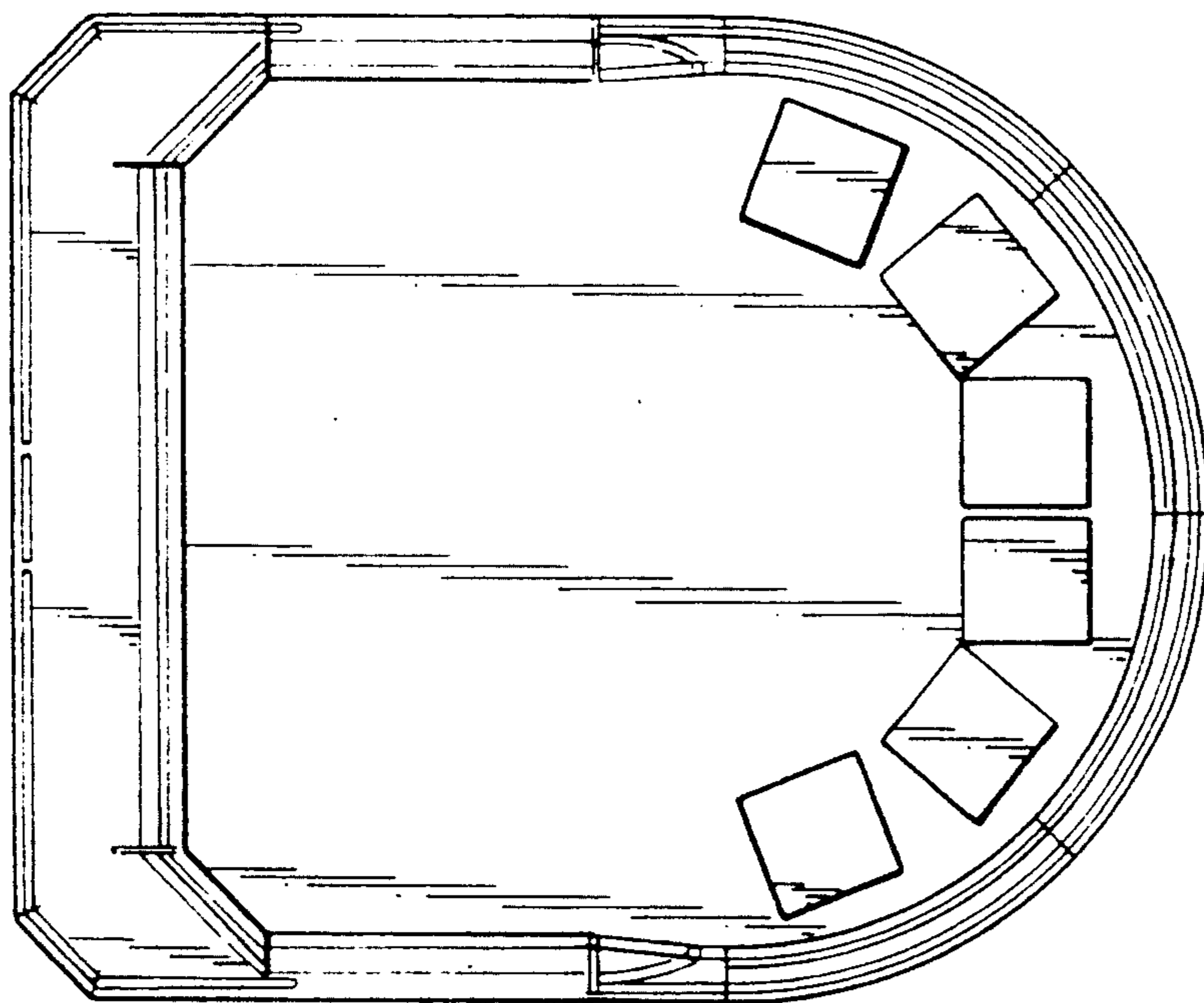


FIG. 5