



US00D332246S

United States Patent [19]

[11] Patent Number: **Des. 332,246**

Yeh

[45] Date of Patent: **** Jan. 5, 1993**

[54] **COMBINED REAR VIEW MIRROR AND AIR PURIFIER**

D. 299,491	1/1989	Masuda	D12/188
1,910,119	5/1933	Moats	D12/187
3,003,396	10/1961	Jenkins	359/868
3,063,344	11/1962	Slate	359/871

[76] Inventor: **Kuo-Chung Yeh, No. 149, Sec. 3, Lung Kang Rd., Chung-Li City, Taiwan**

Primary Examiner—James M. Gandy
Attorney, Agent, or Firm—Bacon & Thomas

[**] Term: **14 Years**

[57] **CLAIM**

[21] Appl. No.: **816,071**

The ornamental design for a combined rear view mirror and air purifier, as shown.

[22] Filed: **Dec. 23, 1991**

DESCRIPTION

[52] U.S. Cl. **D12/188; D12/187**

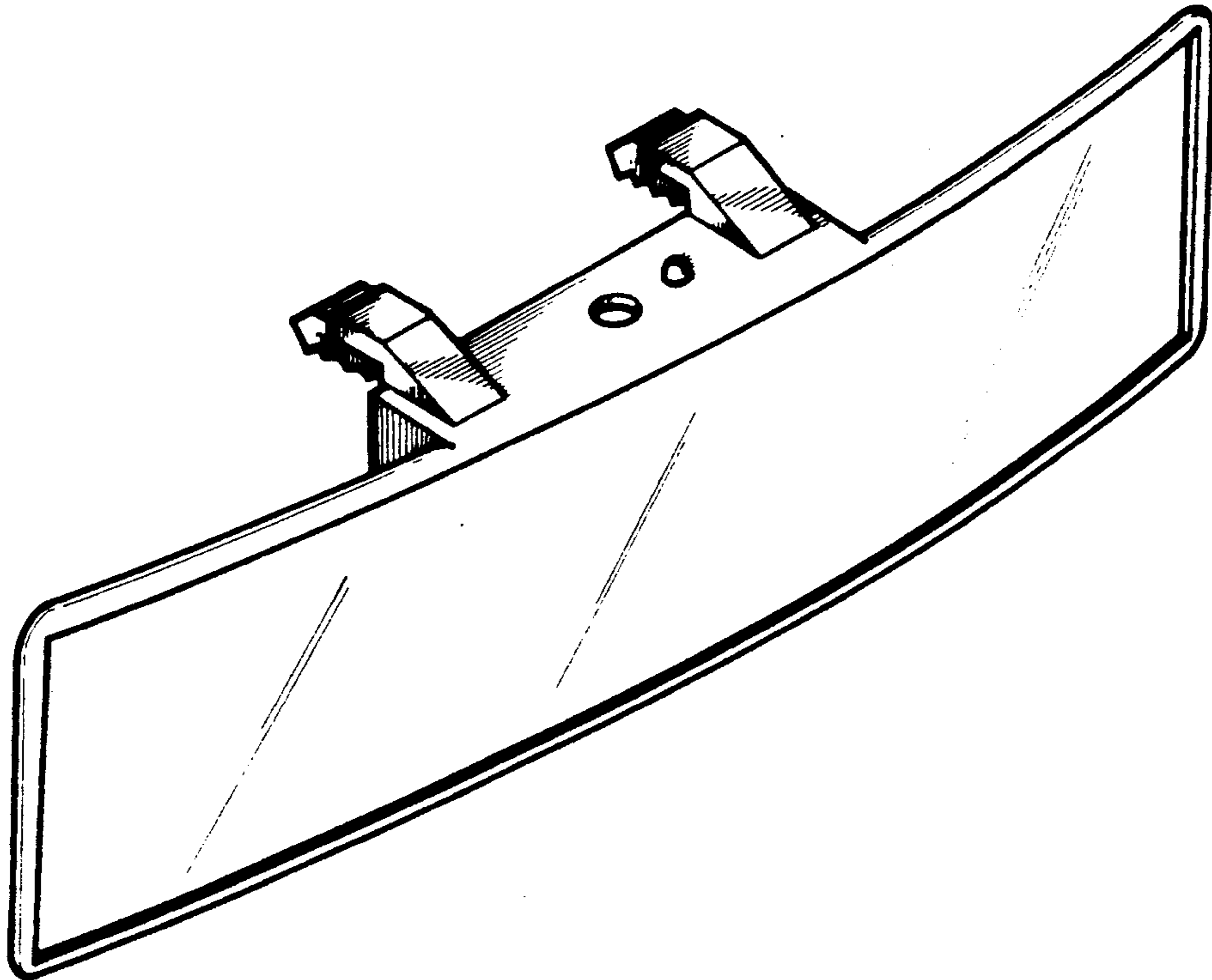
[58] Field of Search **D12/187, 188; D23/366; 359/841, 850, 838, 844, 854, 855, 865, 866, 868, 871, 872, 873**

FIG. 1 is a perspective view of a combined rear view mirror and air purifier showing my design;
FIG. 2 is a front elevational view thereof;
FIG. 3 is a rear elevational view thereof;
FIG. 4 is a left side elevational view thereof;
FIG. 5 is a right side elevational view thereof;
FIG. 6 is a top plan view thereof; and,
FIG. 7 is a bottom plan view thereof.

[56] **References Cited**

U.S. PATENT DOCUMENTS

D. 212,083 8/1968 Neale D12/187



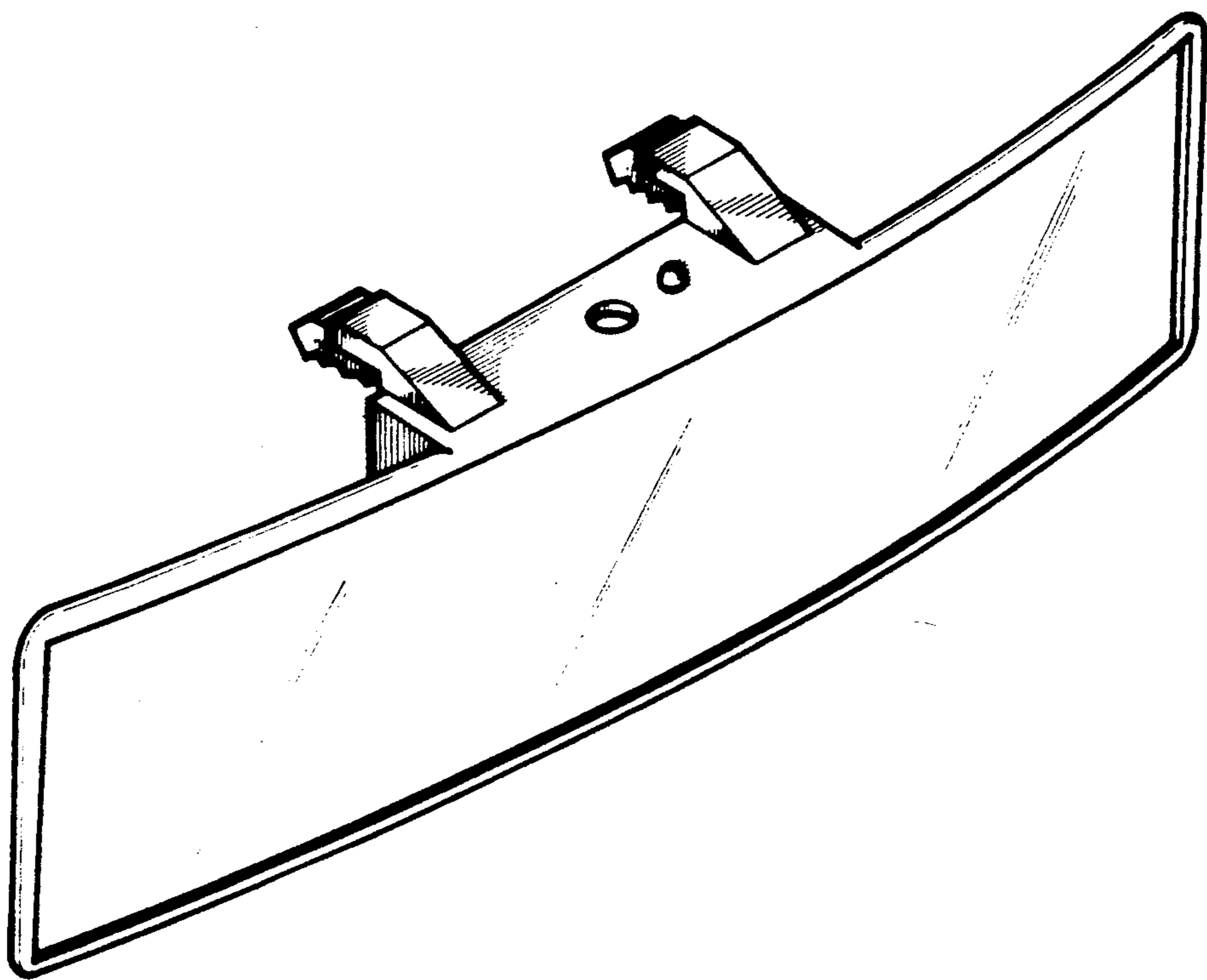


FIG.1

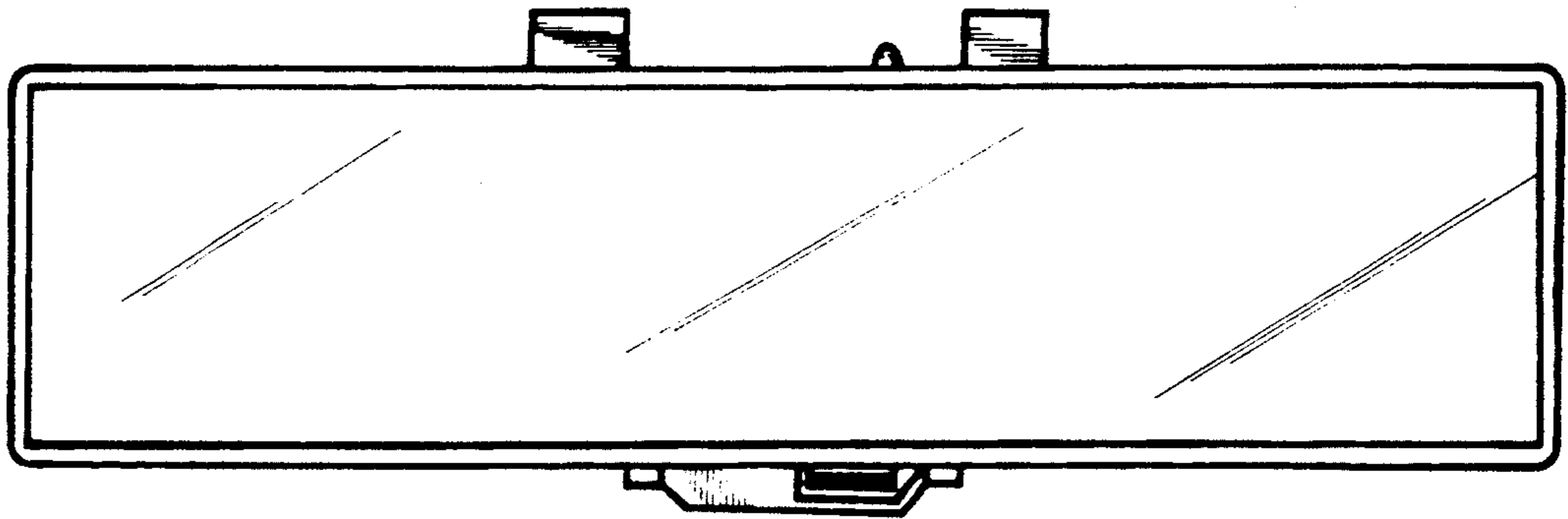


FIG. 2

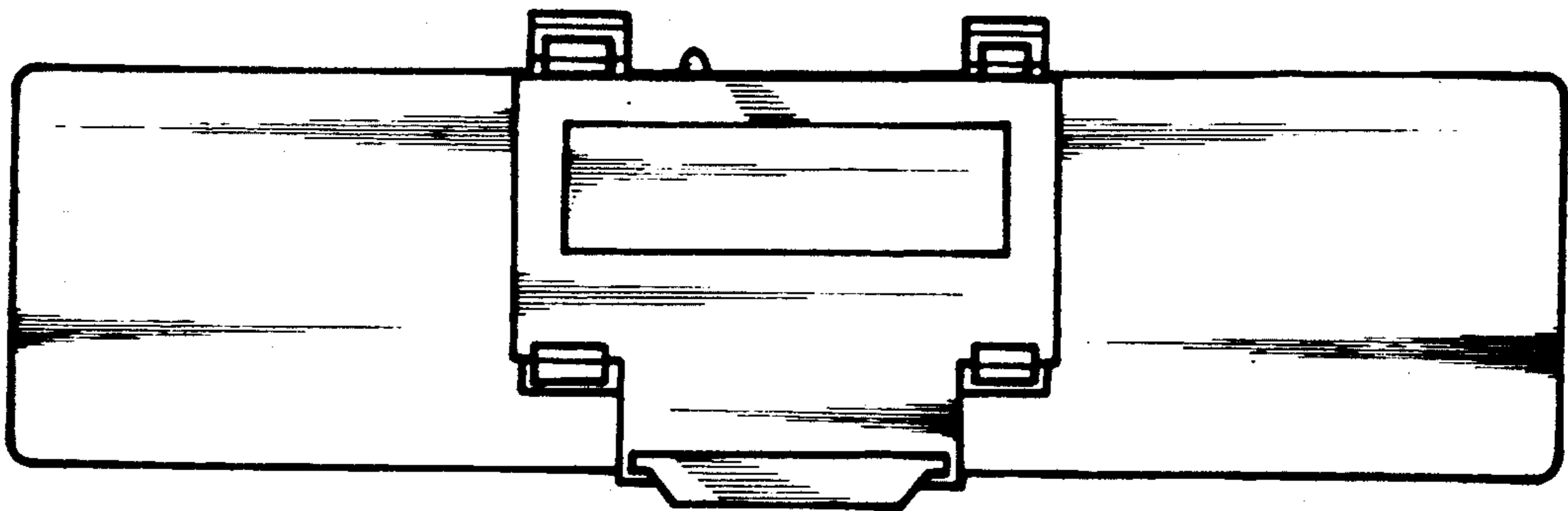


FIG. 3

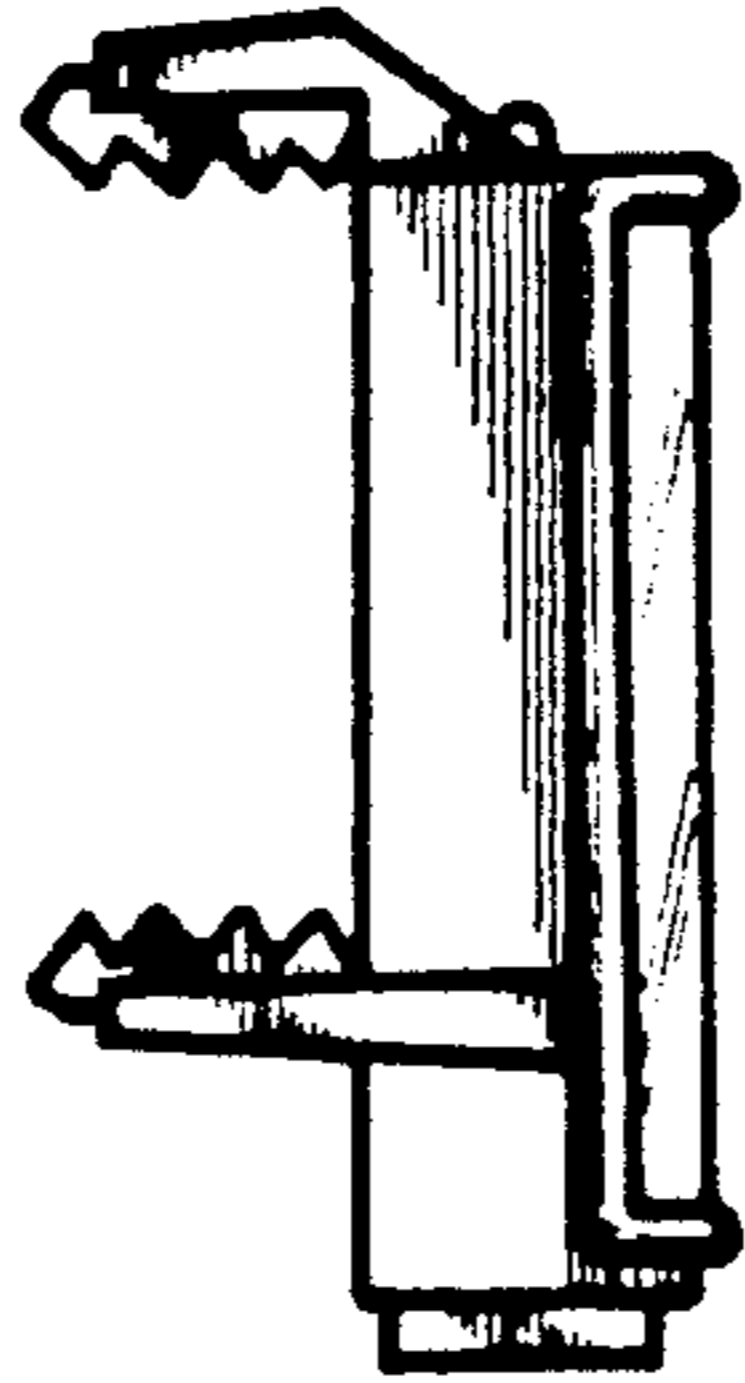


FIG. 4

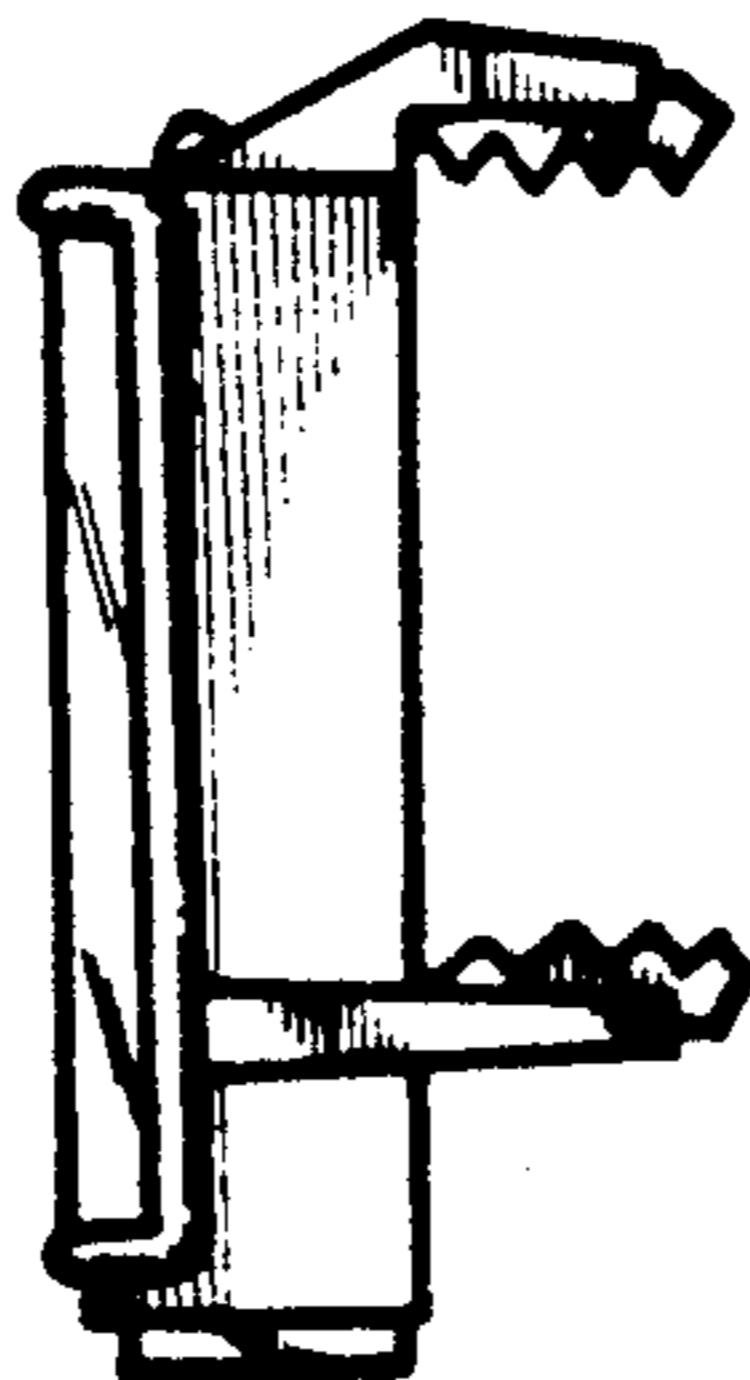


FIG. 5

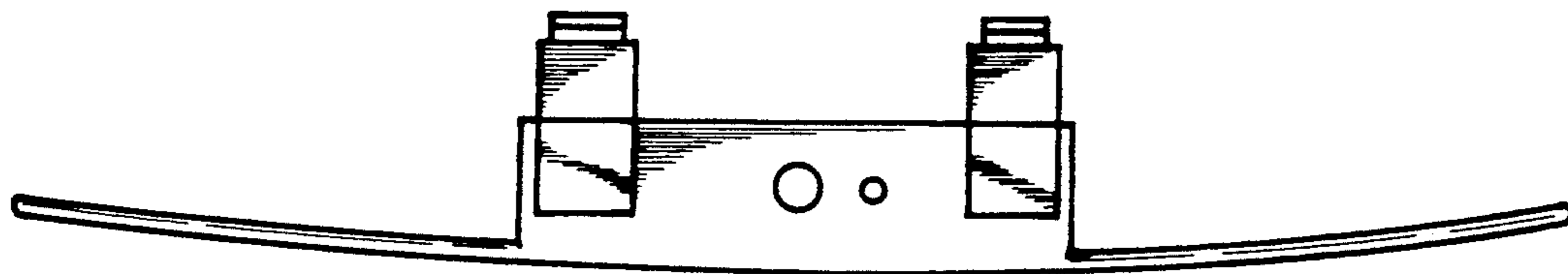


FIG. 6



FIG. 7