



US00D332243S

United States Patent [19]

Collins

[11] Patent Number: **Des. 332,243**

[45] Date of Patent: **** Jan. 5, 1993**

[54] **SKI CARRIER FOR ATTACHMENT TO THE ROOF OF A VEHICLE**

[75] Inventor: **Michael T. Collins, Eureka, Calif.**

[73] Assignee: **Yakima Products, Inc., Arcata, Calif.**

[**] Term: **14 Years**

[21] Appl. No.: **670,204**

[22] Filed: **Mar. 15, 1991**

[52] U.S. Cl. **D12/157**

[58] Field of Search **D12/157; D6/552; 224/309, 316, 317, 322-329, 331; 296/37.7**

[56] **References Cited**

U.S. PATENT DOCUMENTS

4,728,019 3/1988 Olliges 224/323

4,930,671 6/1990 Tittel 224/329

Primary Examiner—James M. Gandy

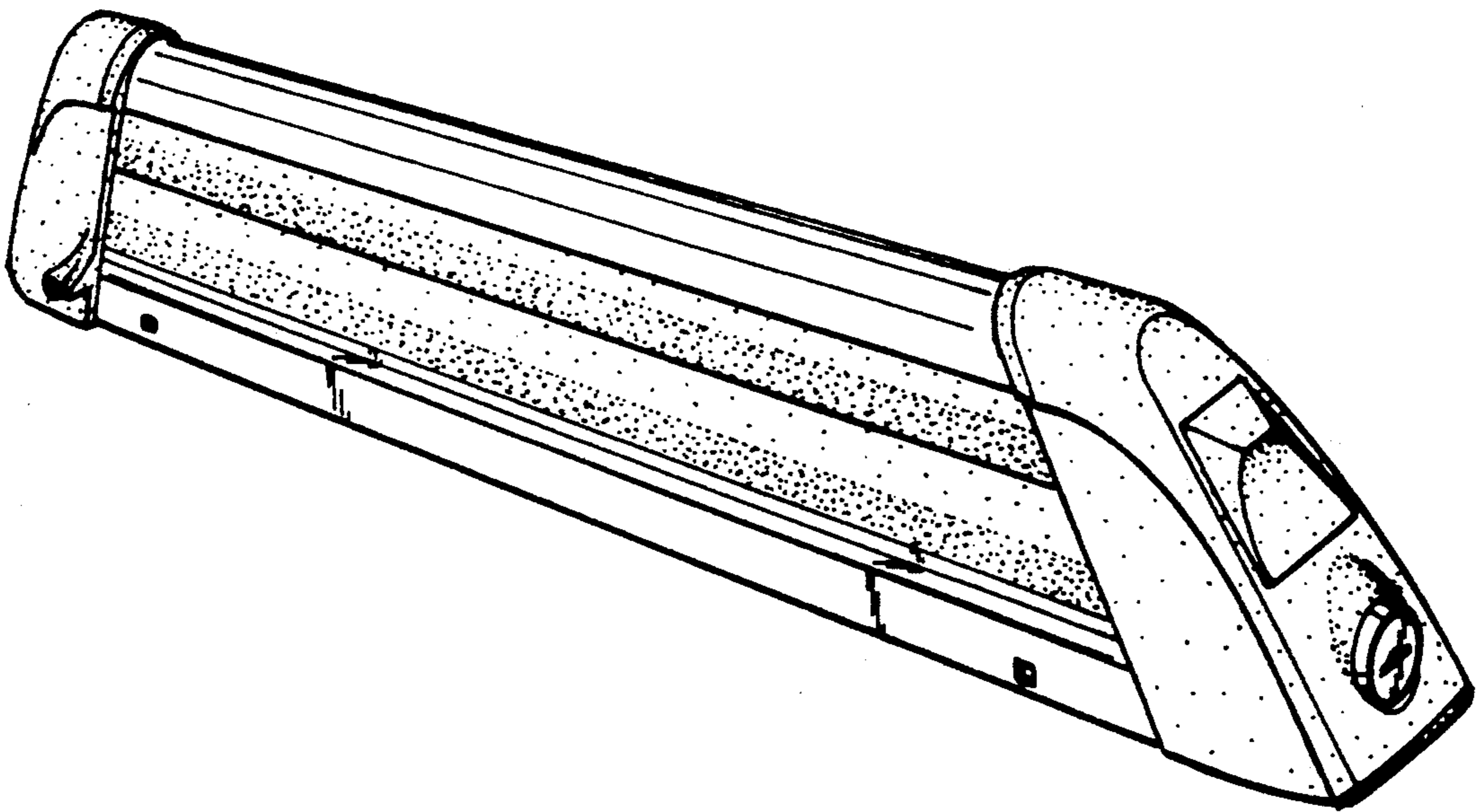
Attorney, Agent, or Firm—Townsend and Townsend

[57] **CLAIM**

The ornamental design for a ski carrier for attachment to the roof of a vehicle, as shown and described.

DESCRIPTION

FIG. 1 is a perspective view of a ski carrier for attachment to the roof of a vehicle showing my new design; FIG. 2 is a top plan view thereof; FIG. 3 is a front elevational view thereof, the rear elevational view being a mirror image; FIG. 4 is a right side elevational view thereof; FIG. 5 is a left side elevational view thereof; and, FIG. 6 is a bottom plan view thereof.



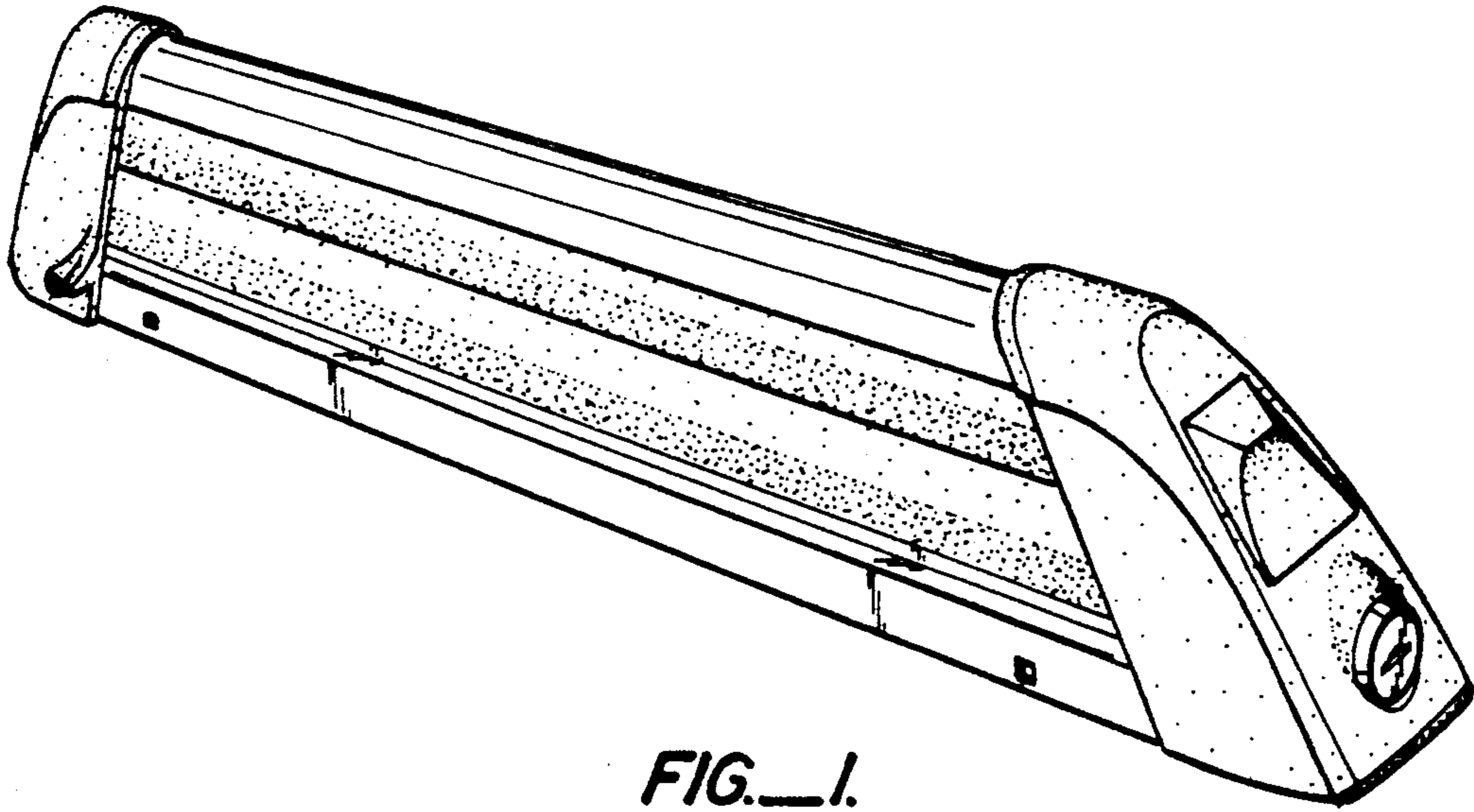


FIG. 1.

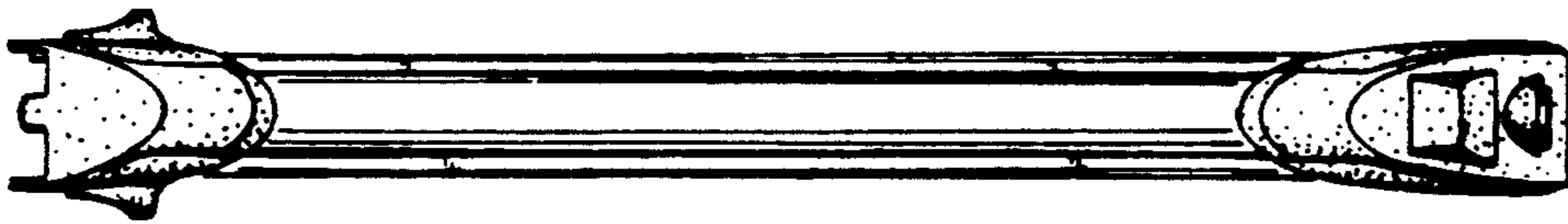


FIG. 2.

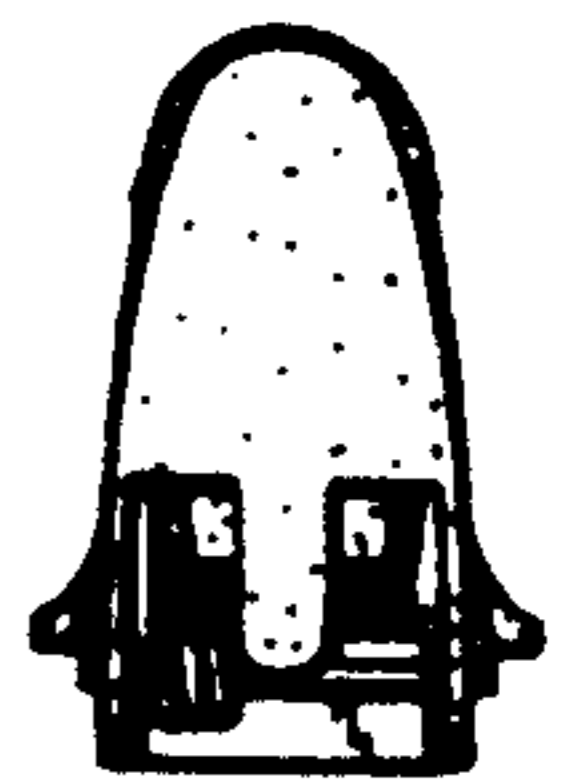


FIG. 5.

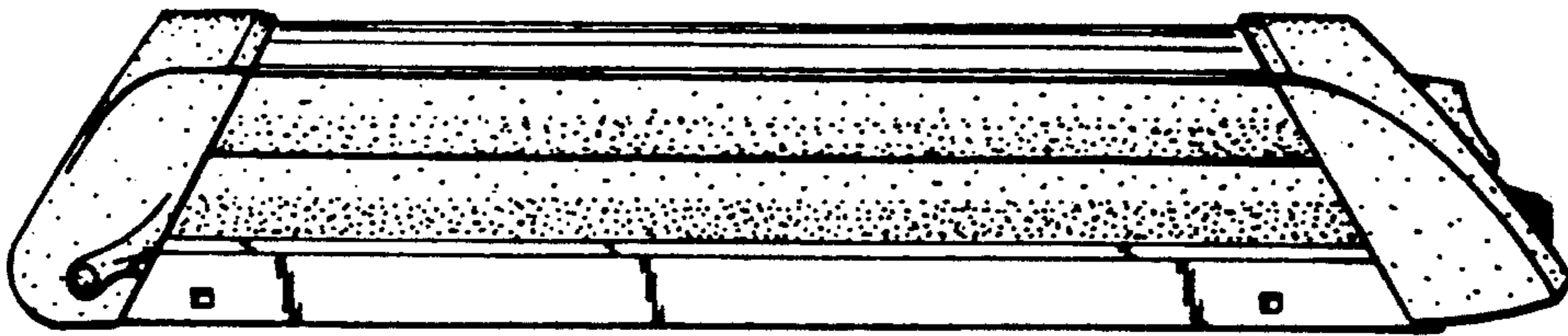


FIG. 3.

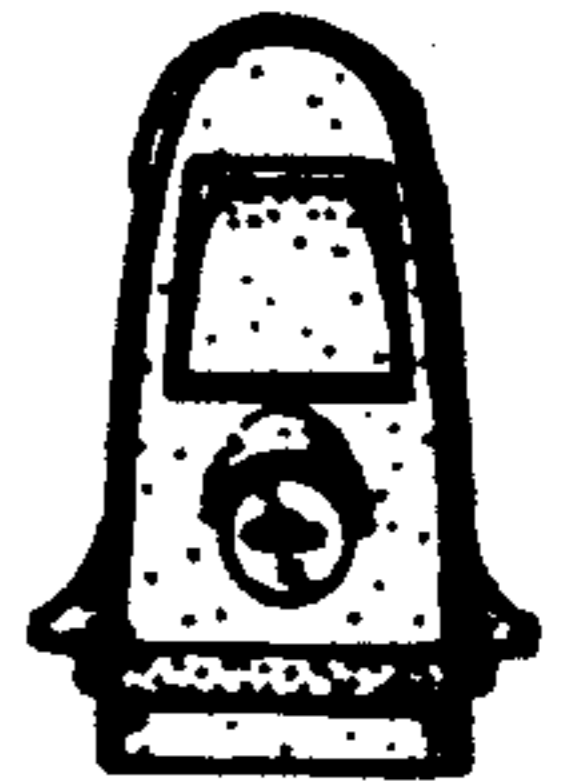


FIG. 4.

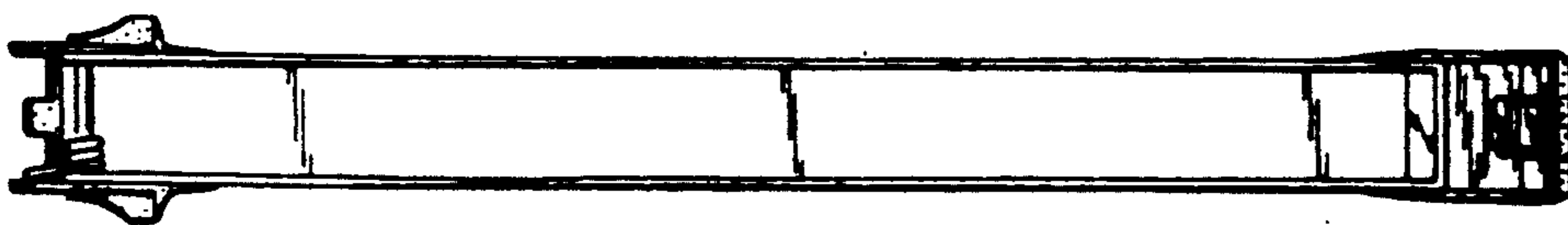


FIG. 6.