



US00D332242S

# United States Patent [19]

[11] Patent Number: **Des. 332,242**

Graehling

[45] Date of Patent: **\*\* Jan. 5, 1993**

[54] **BALLAST BOX FOR THE BED OF A PICKUP TRUCK**

4,623,187 11/1986 Ibrahim ..... 296/39

[76] Inventor: **Steven M. Graehling, 5317  
Devonshire Rd., Harrisburg, Pa.  
17112**

*Primary Examiner*—James M. Gandy  
*Attorney, Agent, or Firm*—Terry M. Gernstein

[\*\*] Term: **14 Years**

[57] **CLAIM**

The ornamental design for a ballast box for the bed of a pickup truck, as shown and described.

[21] Appl. No.: **488,857**

**DESCRIPTION**

[22] Filed: **Mar. 6, 1990**

[52] U.S. Cl. .... **D12/157; D9/432**

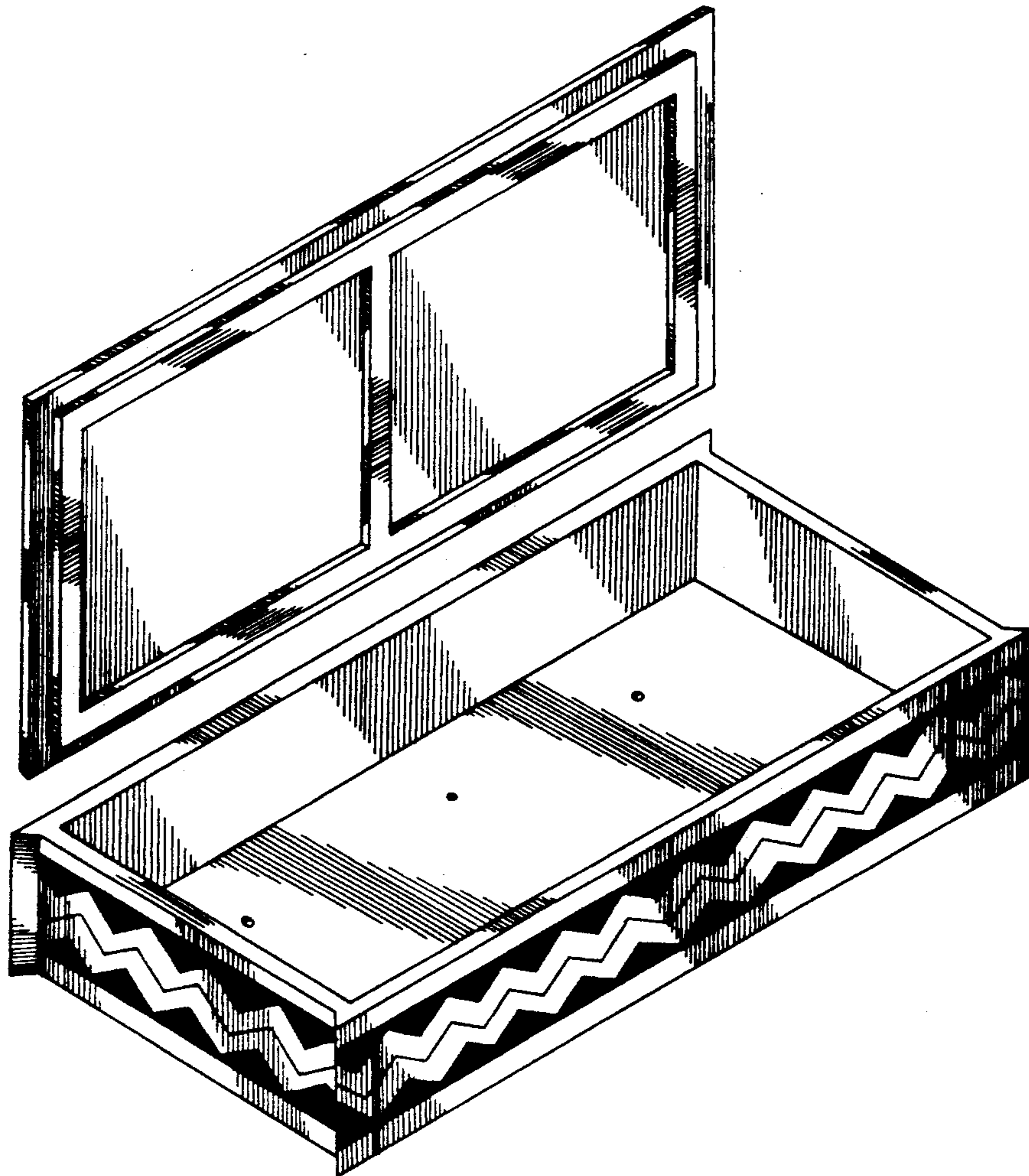
[58] Field of Search ..... **D12/157, 156, 155;  
D3/30.1, 40; D9/420, 423, 432; 224/273, 42.42;  
296/37.1, 37.6, 37.16**

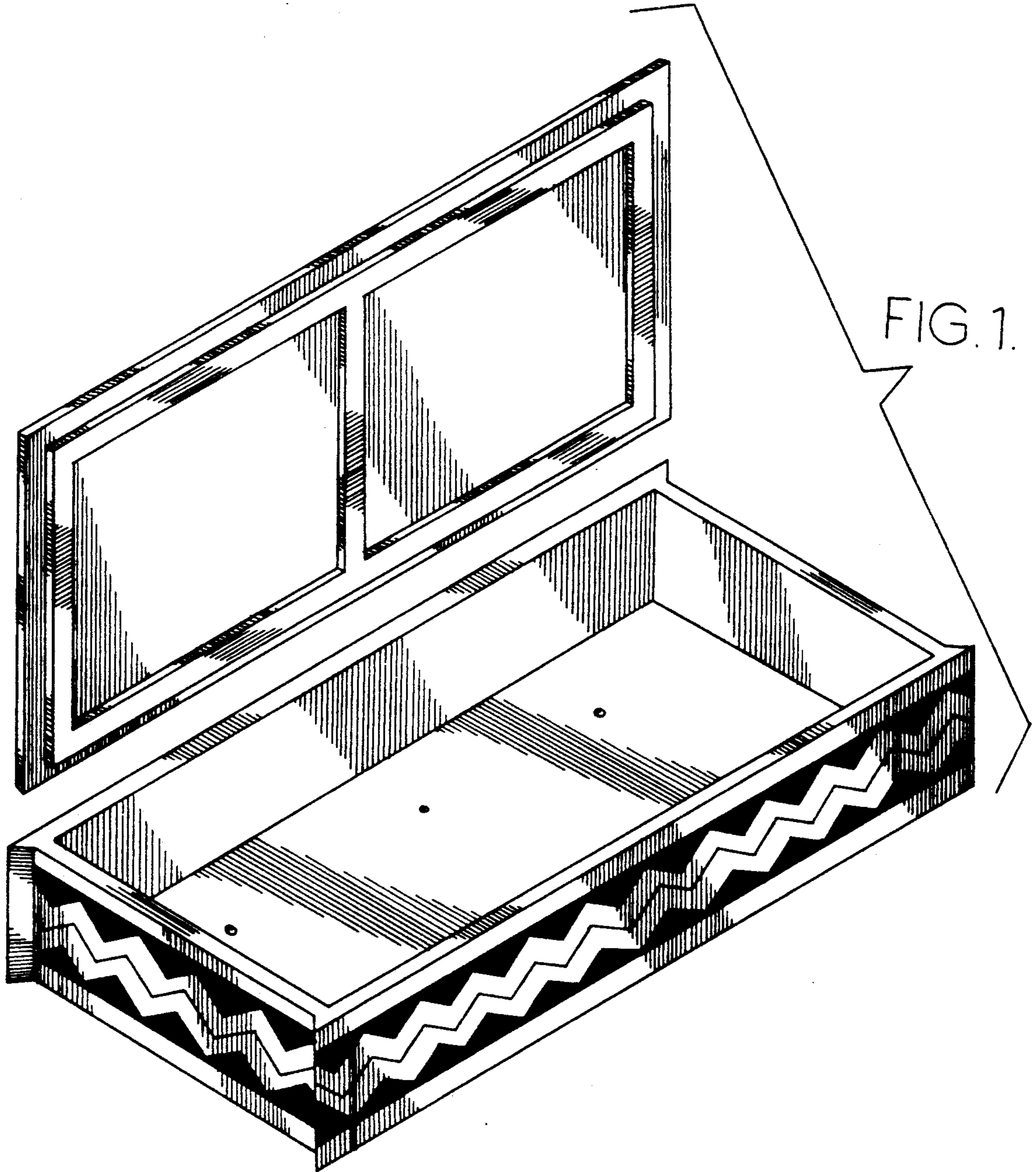
FIG. 1 is an exploded perspective view of a truck weight box showing my new design; FIG. 2 is an enlarged side elevation view thereof with the cover omitted for convenience of illustration, the opposite side being a mirror image of that shown; FIG. 3 is an end elevation view of FIG. 2, the opposite end being a mirror image of that shown; FIG. 4 is an enlarged top plan view of FIG. 2; FIG. 5 is an enlarged side elevation view of the cover thereof shown separately for convenience of illustration; FIG. 6 is an end elevation view of FIG. 5; and, FIG. 7 is a bottom plan view of FIG. 5. The bottom of the box and top of the cover therefor are understood to be flat and unornamented.

[56] **References Cited**

**U.S. PATENT DOCUMENTS**

D. 9,867	3/1877	Heath	.....	D9/432
D. 238,973	2/1976	Miller	.....	D12/156
D. 261,234	10/1981	Abraham	.....	D9/432
D. 297,815	9/1988	MacIvergan et al.	.....	D9/432
4,103,956	8/1978	Faulstich	.....	296/10
4,384,663	5/1983	Smith et al.	.....	224/42.31





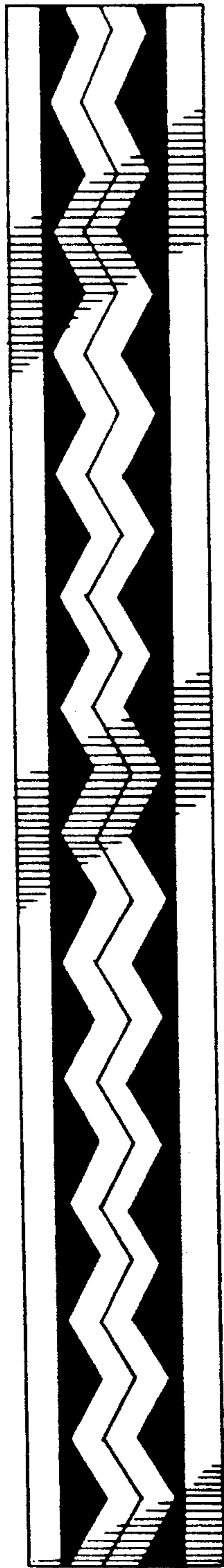


FIG. 2.

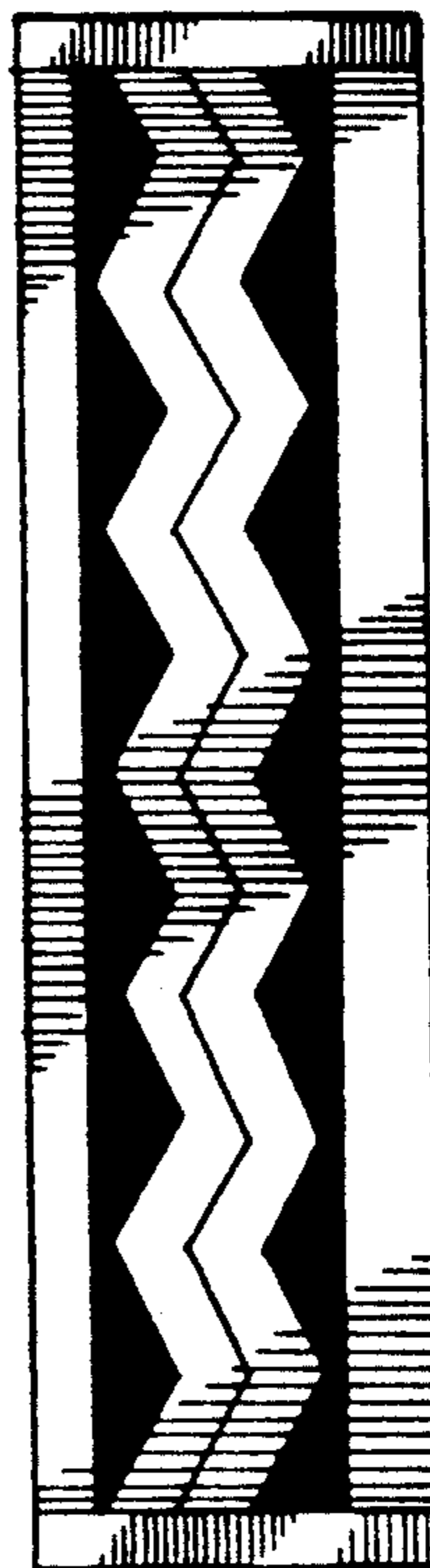
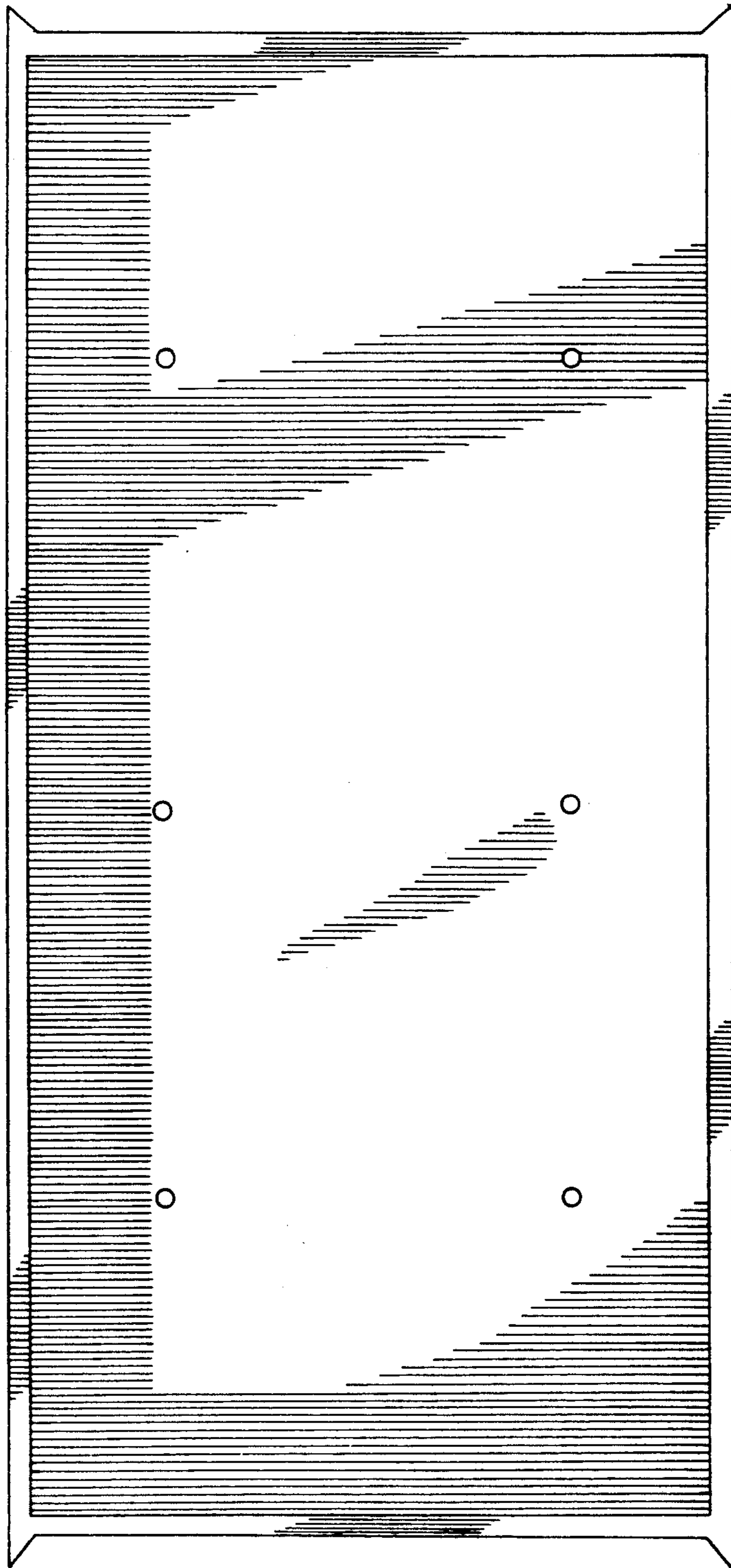


FIG. 3.

FIG. 4.



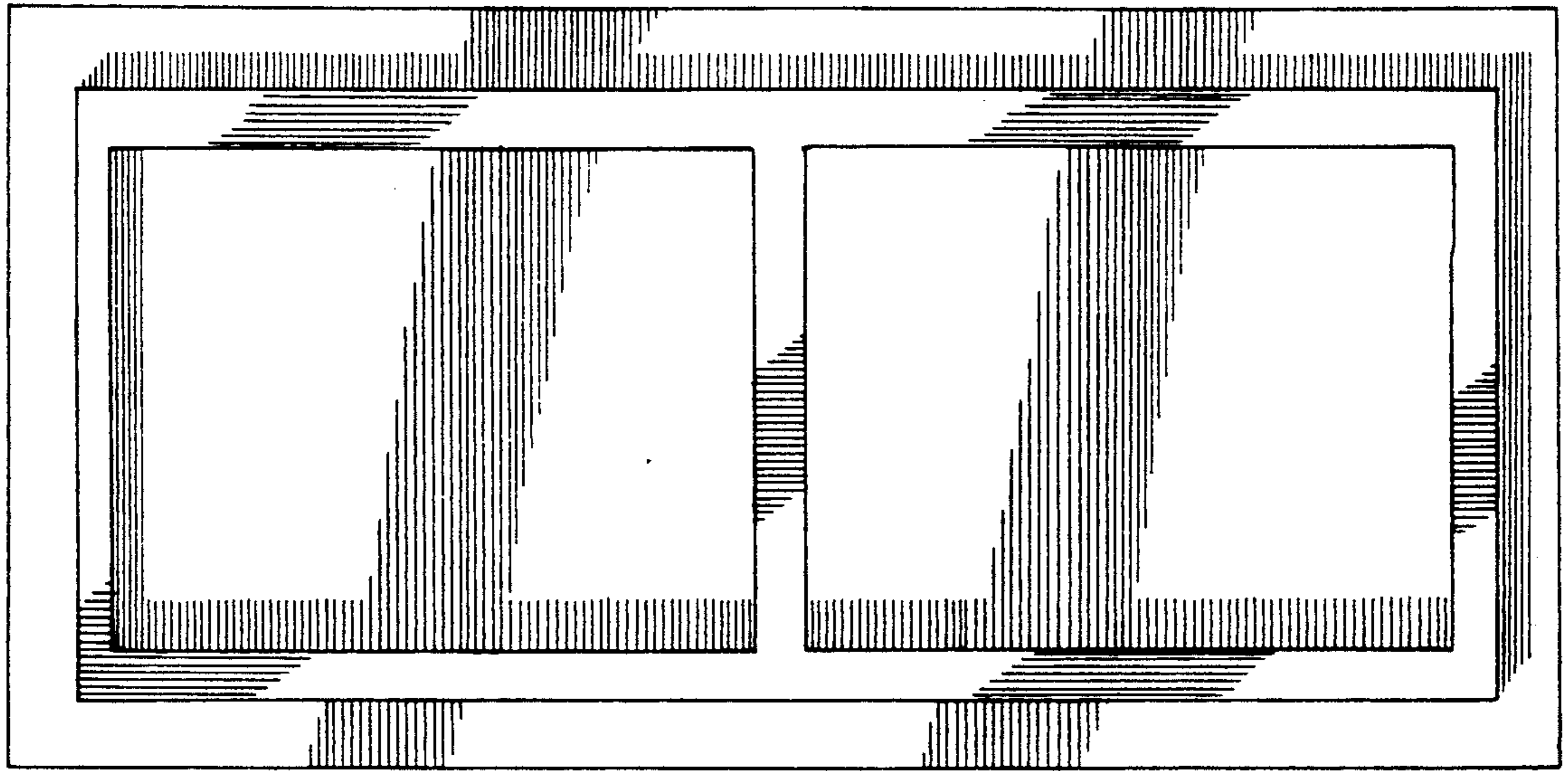


FIG. 5.



FIG. 6.

FIG. 7.