



US00D332241S

United States Patent [19]

[11] Patent Number: **Des. 332,241**

Charet et al.

[45] Date of Patent: **** Jan. 5, 1993**

[54] **WINDSHIELD WIPER ADAPTOR**

[76] Inventors: **Pierre Charet**, 8337 NW. 156 Ter., Miami, Fla. 33016; **Govelio R. Gonzalez**, 1831 SW. 16th Ave., Miami, Fla. 33145

[**] Term: **14 Years**

[21] Appl. No.: **542,396**

[22] Filed: **Jun. 22, 1990**

[52] U.S. Cl. **D12/155**

[58] Field of Search **D12/155; 15/250.31, 15/250.32, 250.33, 250.36, 250.38, 250.41, 250.42, 250.35**

[56] **References Cited**

U.S. PATENT DOCUMENTS

2,641,007	6/1953	Krohnm	15/250.33
2,749,158	6/1956	Smulski	15/250.35
3,641,614	2/1972	Newsome	15/250.32
4,120,069	10/1978	Sharp et al.	15/250.32

FOREIGN PATENT DOCUMENTS

841248 7/1960 United Kingdom 15/250.32

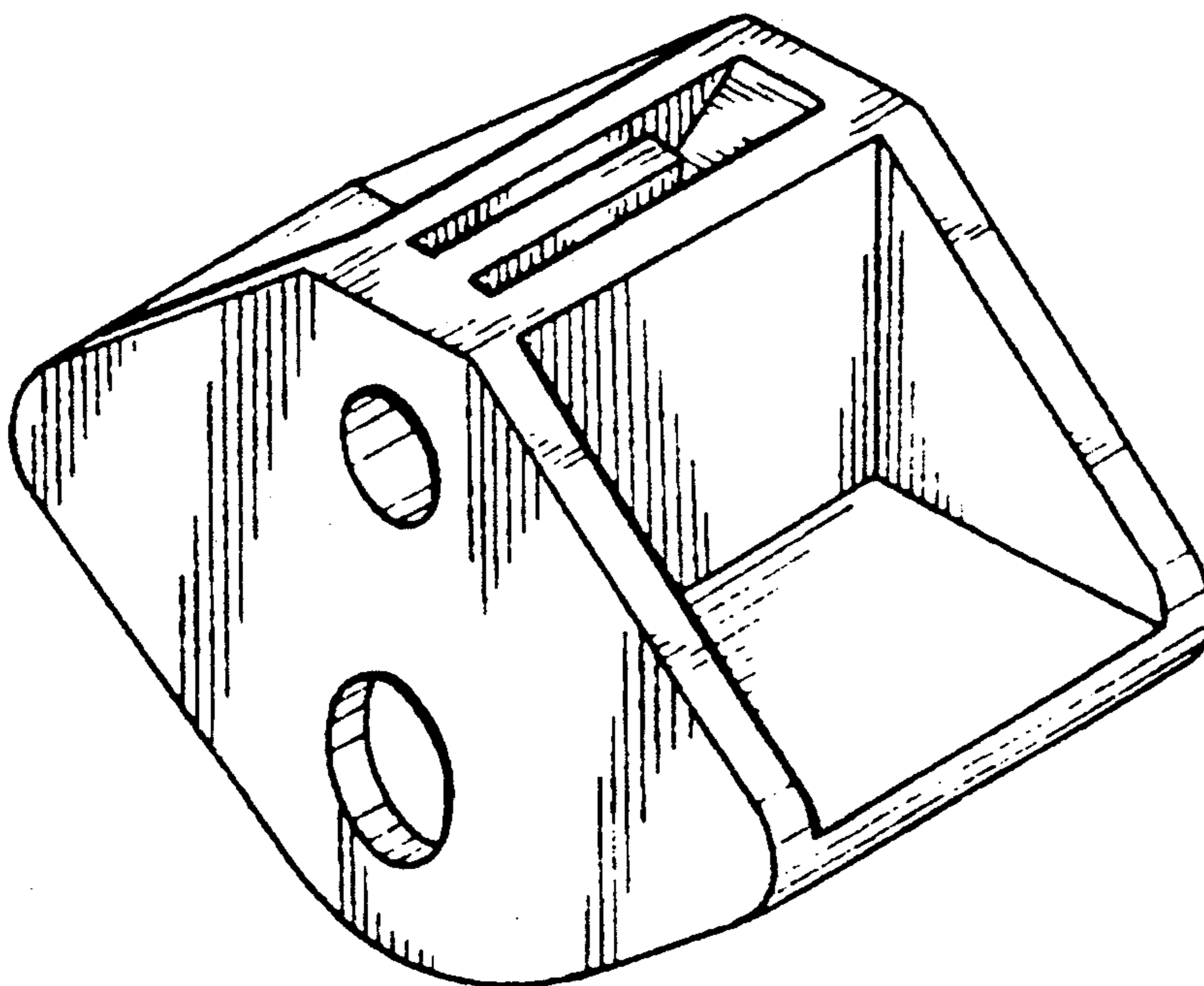
Primary Examiner—James M. Gandy
Attorney, Agent, or Firm—Longacre & White

[57] **CLAIM**

The ornamental design for a windshield wiper adaptor, as shown and described.

DESCRIPTION

FIG. 1 is a perspective view of the top side and one end of a windshield wiper adaptor showing our new design; FIG. 2 is a side elevational view thereof, the opposite side being a mirror image of that shown; FIG. 3 is an end elevational view thereof, the opposite end being a mirror image of that shown; FIG. 4 is a top plan view thereof; FIG. 5 is a bottom plan view thereof; and, FIG. 6 is a sectional view thereof taken along line 6—6 in FIG. 4.



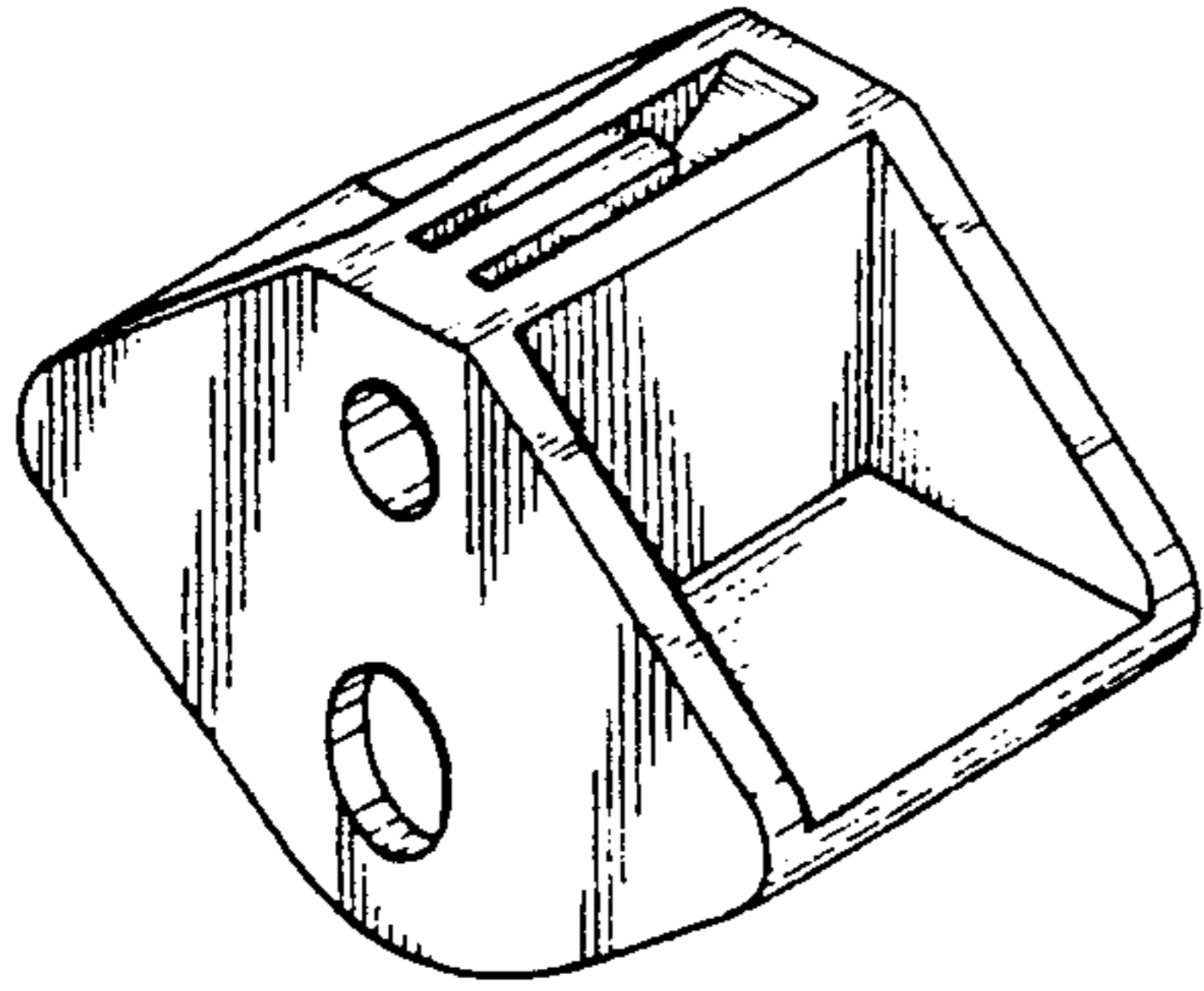


FIG. 1

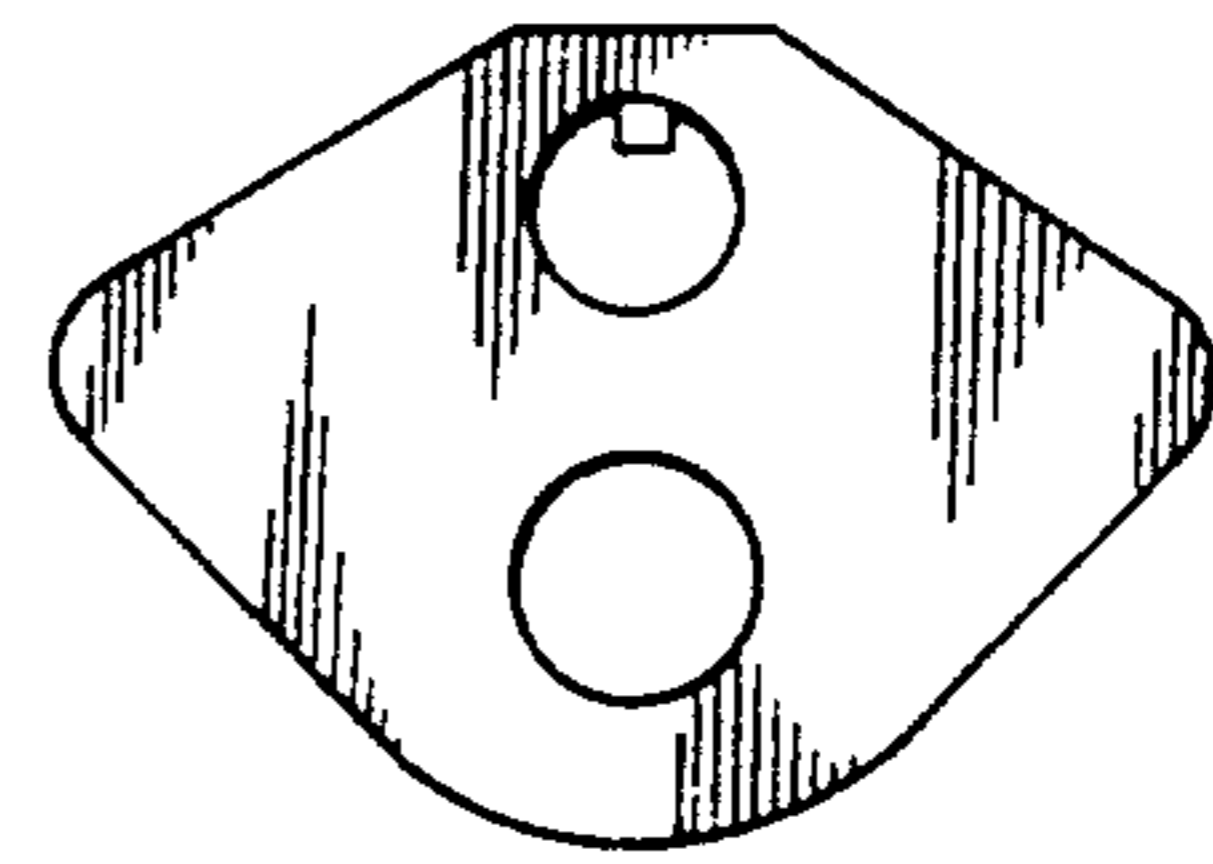


FIG. 2

FIG. 3

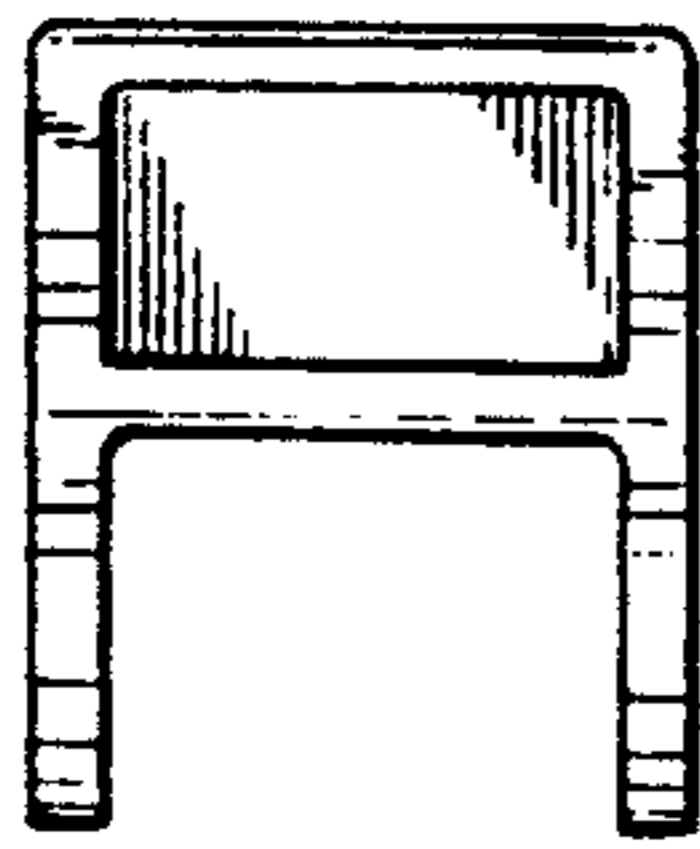


FIG. 4

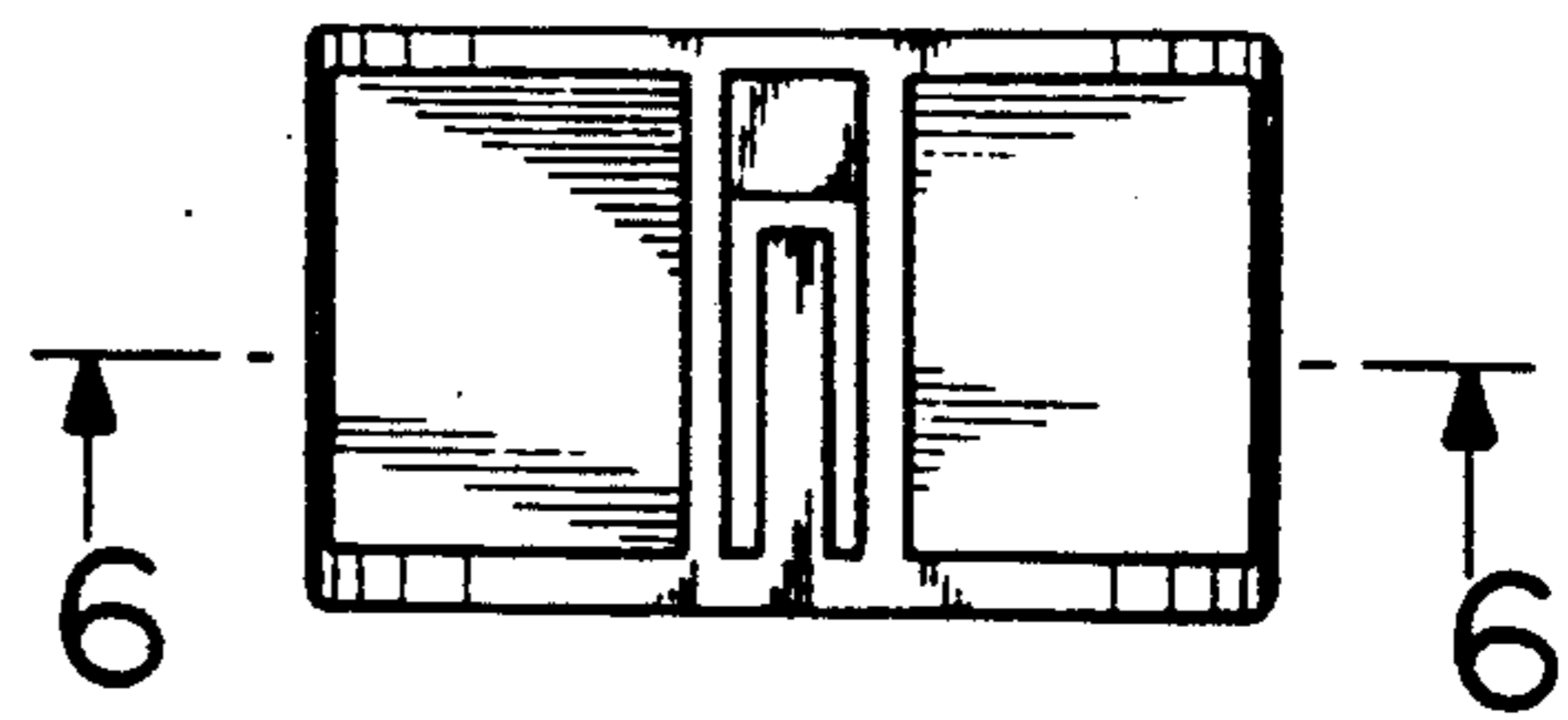


FIG. 5

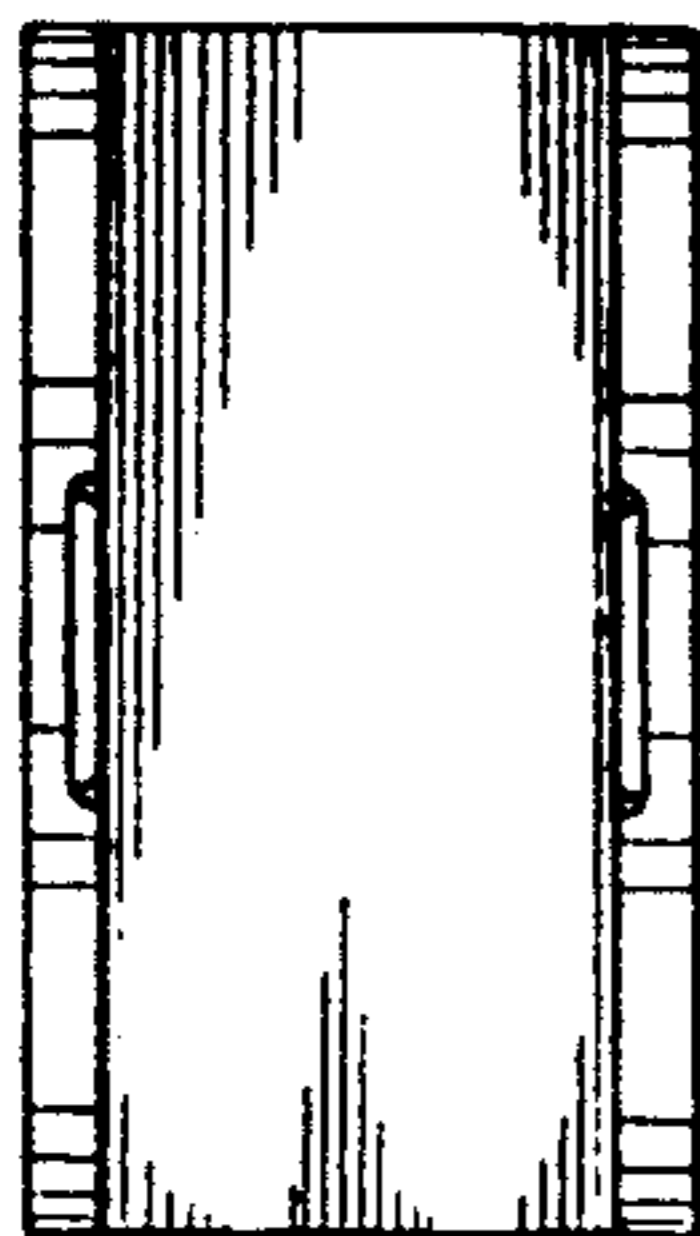


FIG. 6

