



US00D332240S

United States Patent [19]

[11] Patent Number: **Des. 332,240**

Schlanger et al.

[45] Date of Patent: **** Jan. 5, 1993**

[54] WATER BOTTLE CAGE

[75] Inventors: **Raphael Schlanger**, Norwalk; **Robert H. Humphries, Jr.**, New Canaan, both of Conn.

[73] Assignee: **Cannondale Corporation**, Georgetown, Conn.

[**] Term: **14 Years**

[21] Appl. No.: **721,216**

[22] Filed: **Jun. 25, 1991**

[52] U.S. Cl. **D12/114**

[58] Field of Search **D12/114, 158; 248/311.2; 224/30 A, 30 R, 32 A, 32 R, 35, 39**

[56] References Cited

U.S. PATENT DOCUMENTS

D. 285,186	8/1986	Sinyard	D12/114
4,009,810	3/1977	Shook	224/32 R
4,830,240	5/1989	Tackles et al.	224/35
4,883,205	11/1989	Saelens et al.	224/35
5,011,055	4/1991	Neugent	224/35

OTHER PUBLICATIONS

Bike Nashbar, Christmas 1988, p. 41, the specialized compcage for bicycles.

Primary Examiner—Wallace R. Burke
Assistant Examiner—Melody Brown
Attorney, Agent, or Firm—Brumbaugh, Graves, Donohue & Raymond

[57] CLAIM

The ornamental design for a water bottle cage, as shown and described.

DESCRIPTION

FIG. 1 is a front, top and side perspective view of a water bottle cage showing our new design:

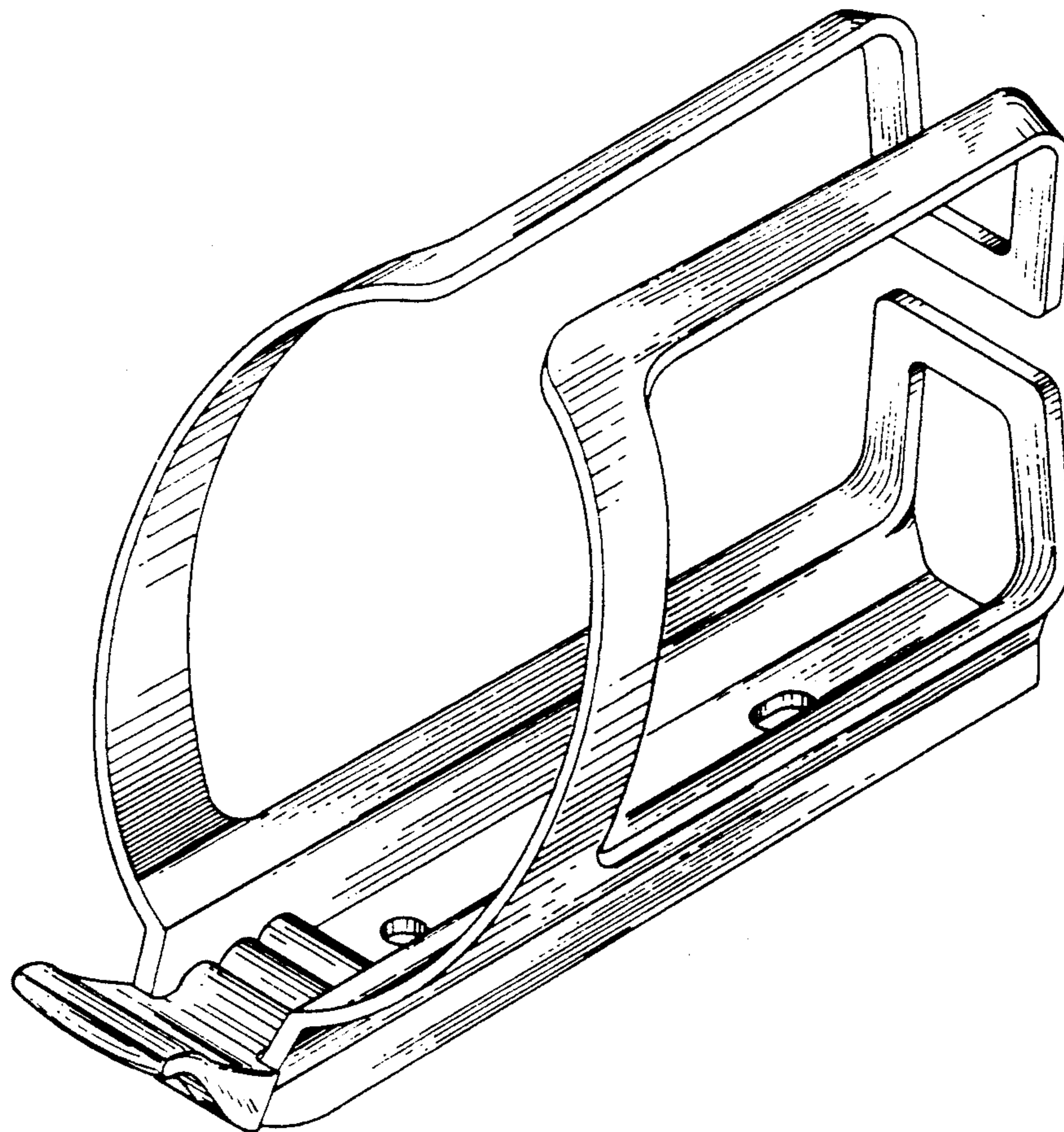
FIG. 2 is a rear, bottom and side perspective view thereof:

FIG. 3 is a front elevational view thereof;

FIG. 4 is a right side elevational view thereof, the left side being a mirror image of that shown:

FIG. 5 is a top plan view thereof; and

FIG. 6 is a right side elevational view thereof, in a sloped position and on a reduced scale, it being understood that the broken lines are for illustrative purposes only and form no part of the claimed design.



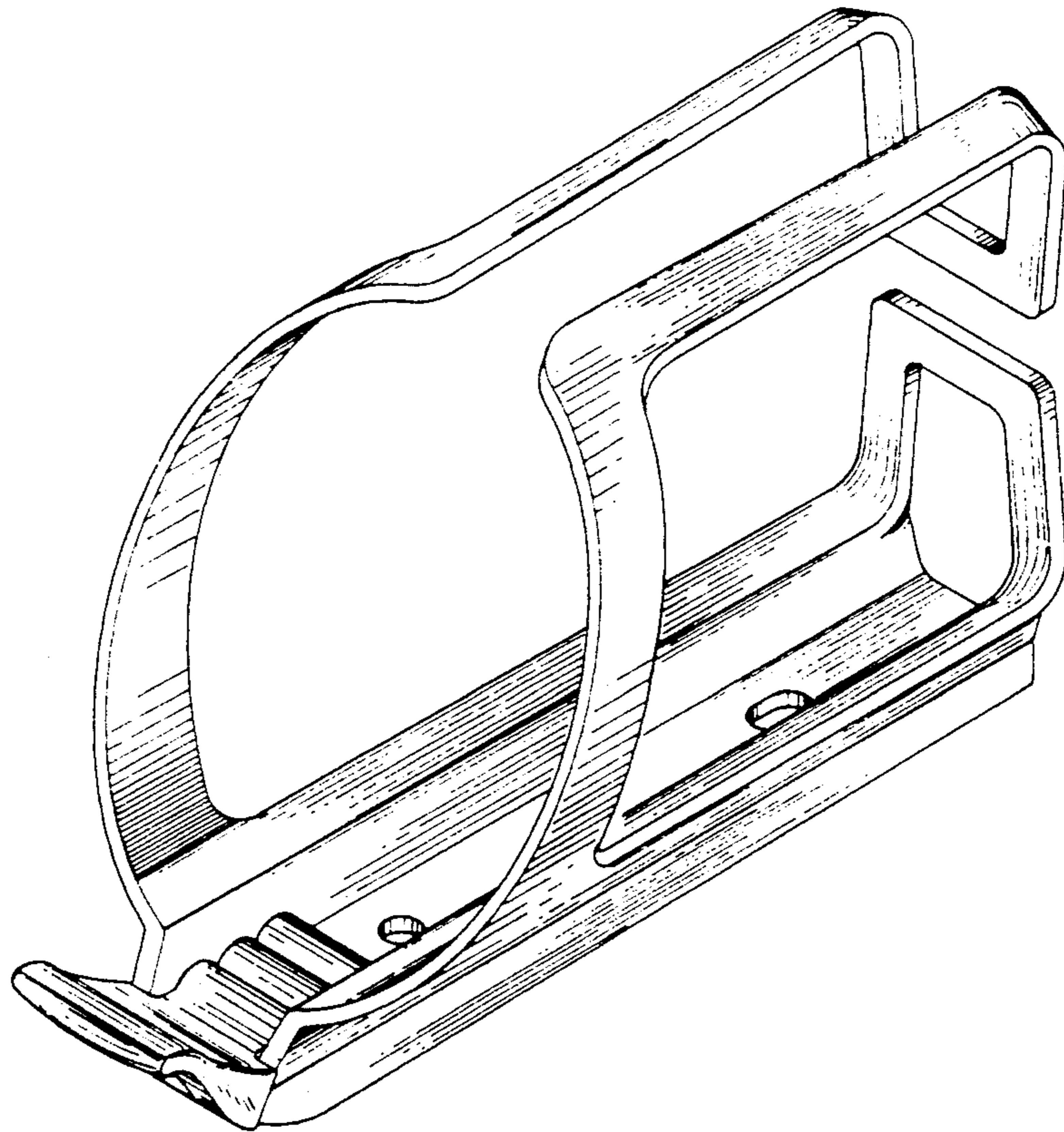


FIG. 1

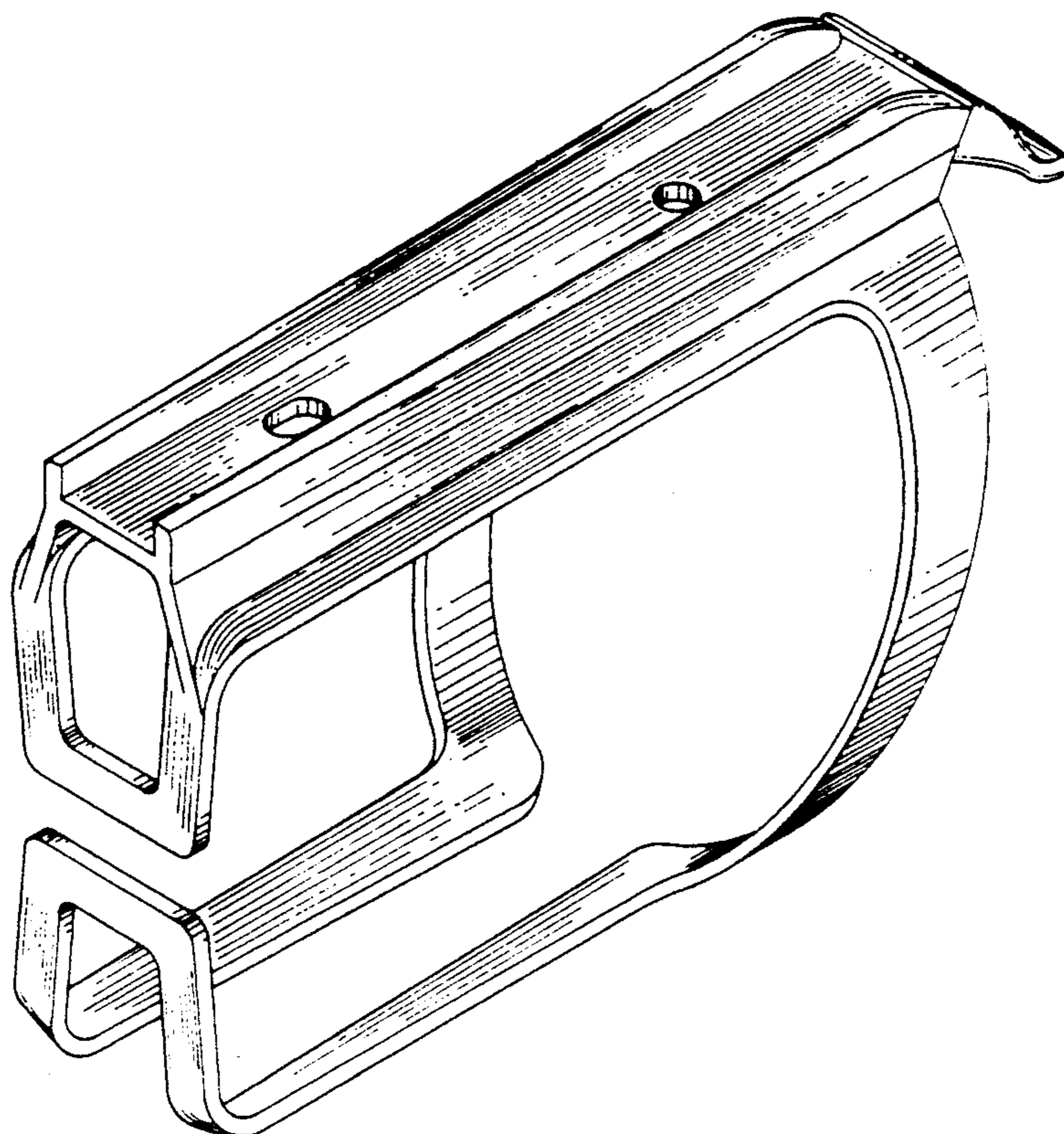


FIG. 2

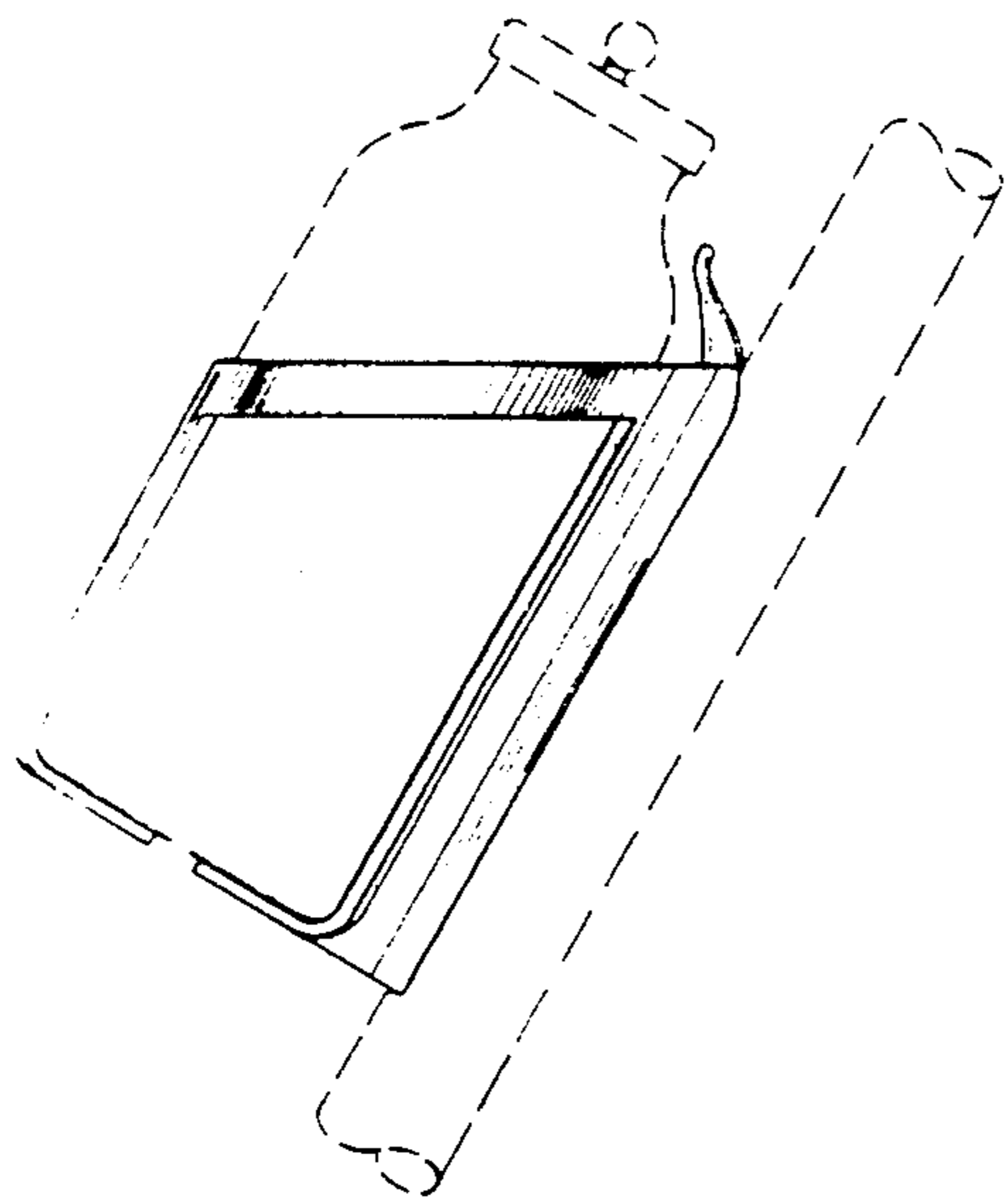


FIG. 6

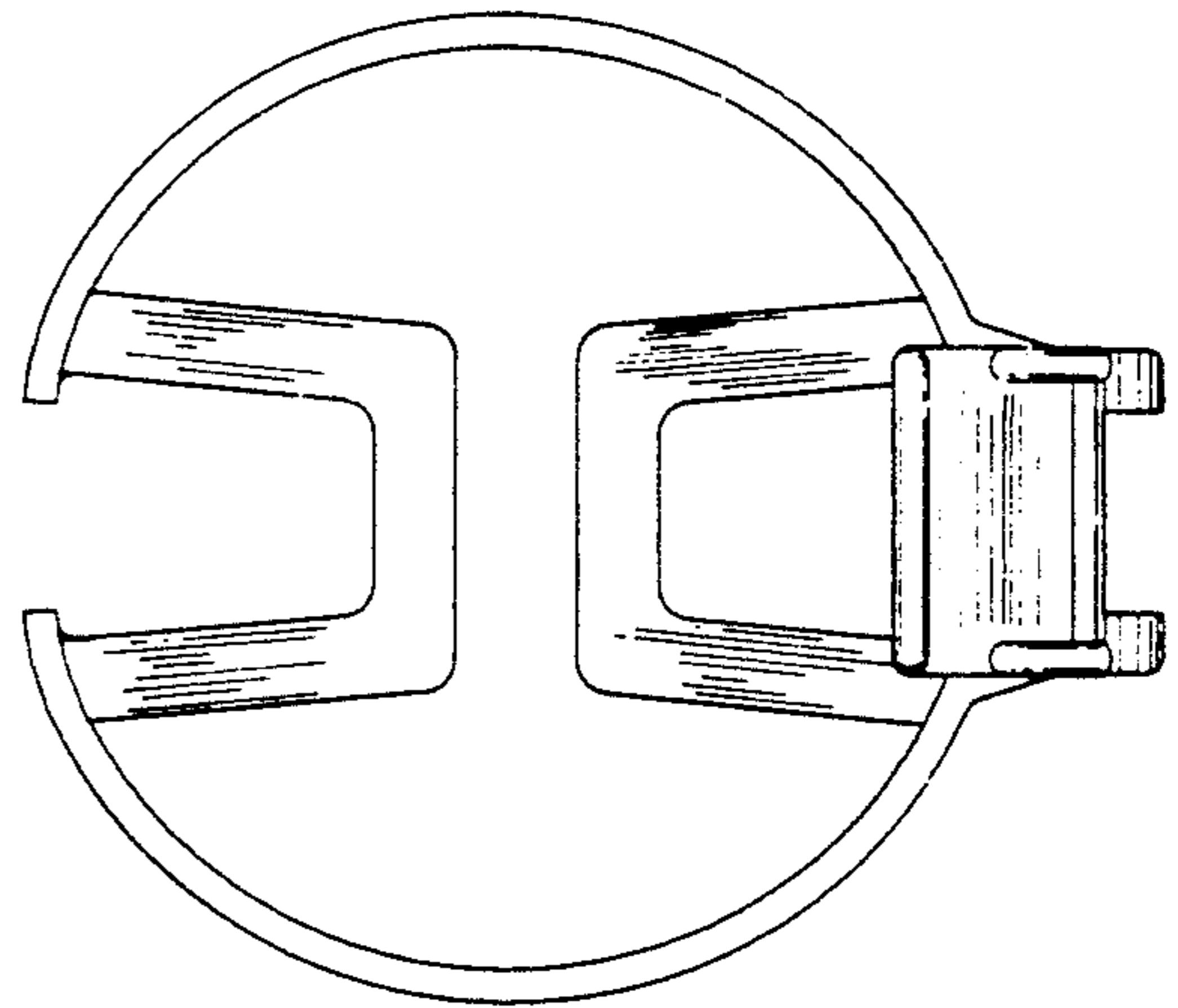


FIG. 5

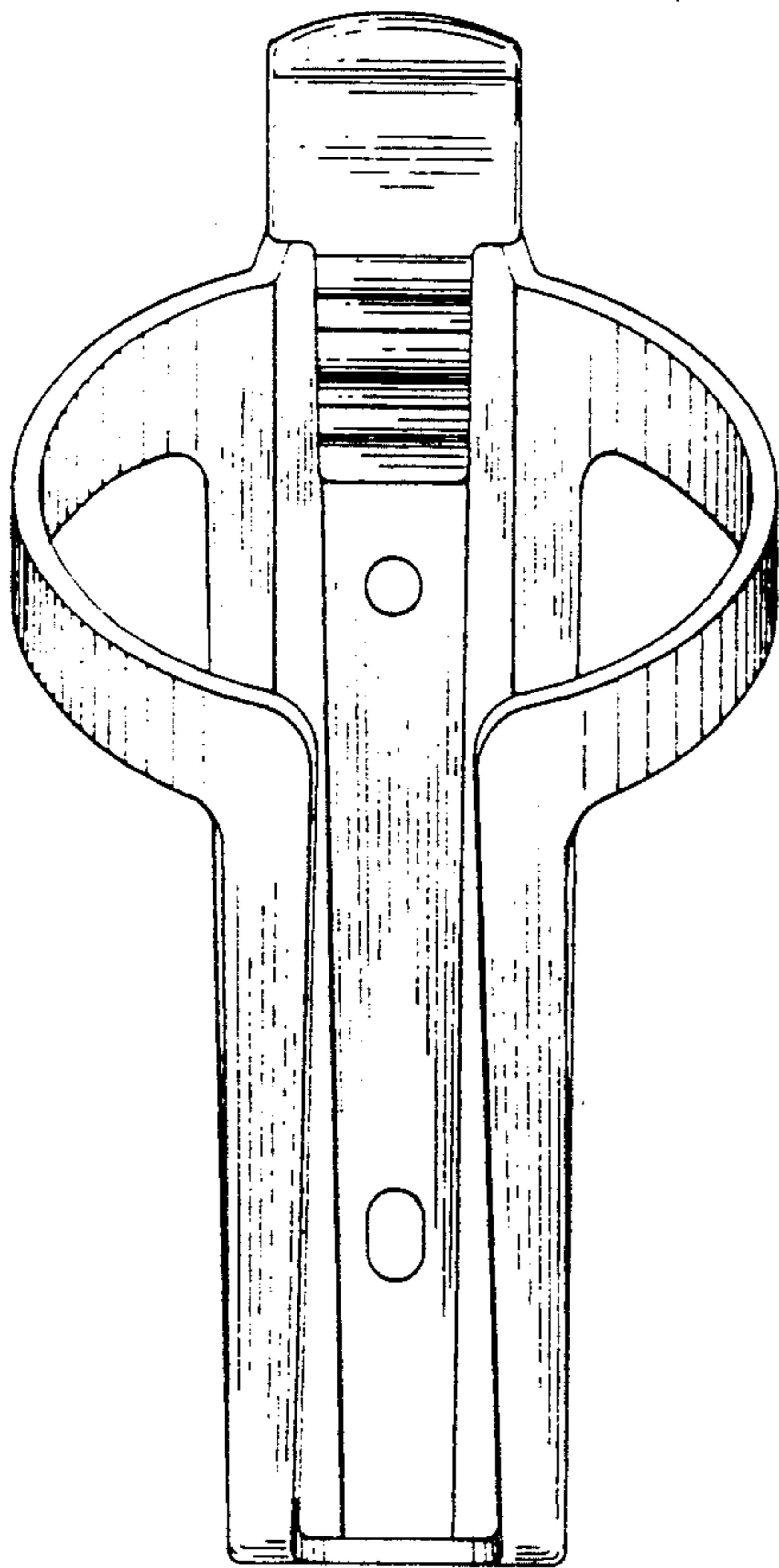


FIG. 3

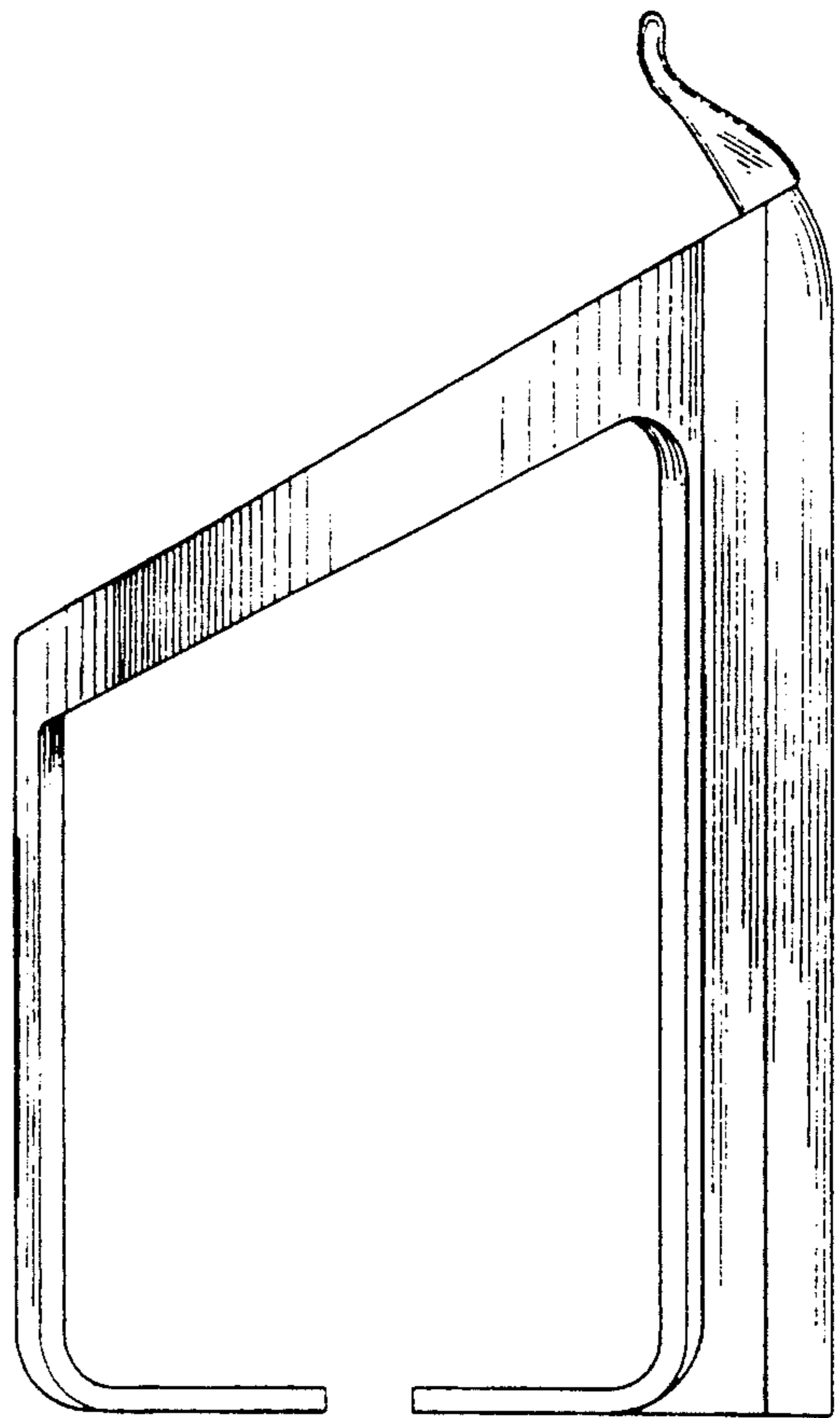


FIG. 4