



US00D332232S

United States Patent [19]

[11] Patent Number: Des. 332,232

Johnson

[45] Date of Patent: ** Jan. 5, 1993

[54] ROTATABLE WARNING SIGN FOR VEHICLES

2,985,976 5/1961 Parker D20/21
3,292,569 12/1966 Trigilio D10/114

[76] Inventor: William M. Johnson, 2400 SW. 4th Ave., Portland, Oreg. 97201

Primary Examiner—Wallace R. Burke
Assistant Examiner—Marcus Jackson
Attorney, Agent, or Firm—Eugene M. Eckelman

[**] Term: 14 Years

[21] Appl. No.: 711,736

[57] CLAIM

[22] Filed: Jun. 7, 1991

The ornamental design for a rotatable warning sign for vehicles, as shown and described.

[52] U.S. Cl. D10/109; D20/21

[58] Field of Search D10/104, 109, 111, 113, D10/114; 116/63 P. 63 R. 173, 174, 175; 40/642, 643, 644, 479, 493, 503, 516, 591, 592

DESCRIPTION

[56] References Cited

U.S. PATENT DOCUMENTS

- D. 102,293 12/1936 Smith D10/115
- D. 143,903 2/1946 Dwiggins D20/21
- 1,205,800 11/1916 Schwartzberg 40/591
- 2,781,017 2/1957 Fuller et al. D10/114
- 2,810,223 10/1957 Traesdorf, Jr. D20/21

FIG. 1 is a perspective view of a rotatable warning sign for vehicles showing my new design, with the broken line showing for illustrative purposes only and forming no part of the claimed design:

FIG. 2 is a left side elevational view thereof;

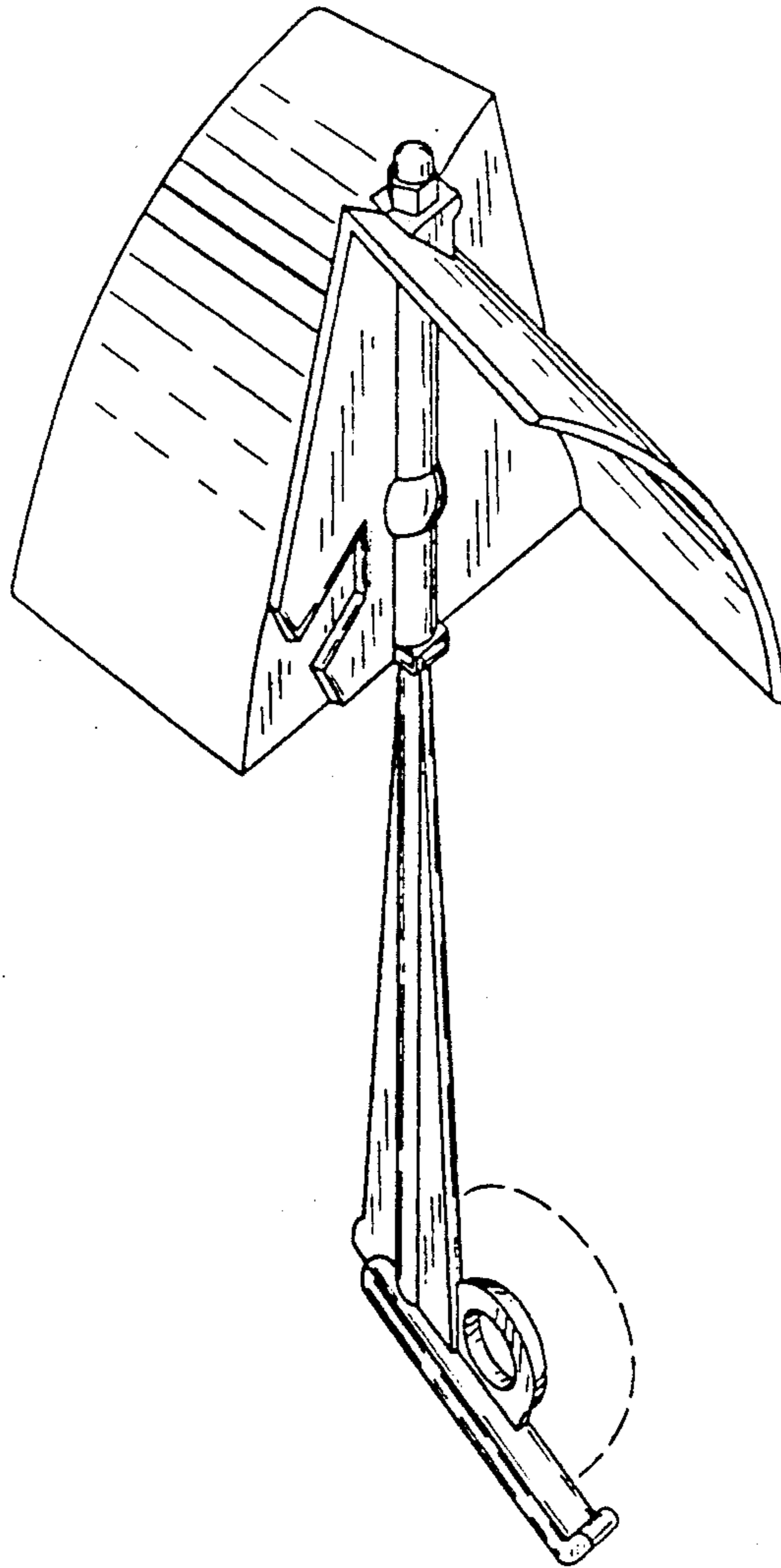
FIG. 3 is a top plan view thereof;

FIG. 4 is a right side elevational view thereof;

FIG. 5 is a front elevational view thereof;

FIG. 6 is a rear elevational view thereof; and,

FIG. 7 is a bottom plan view thereof.



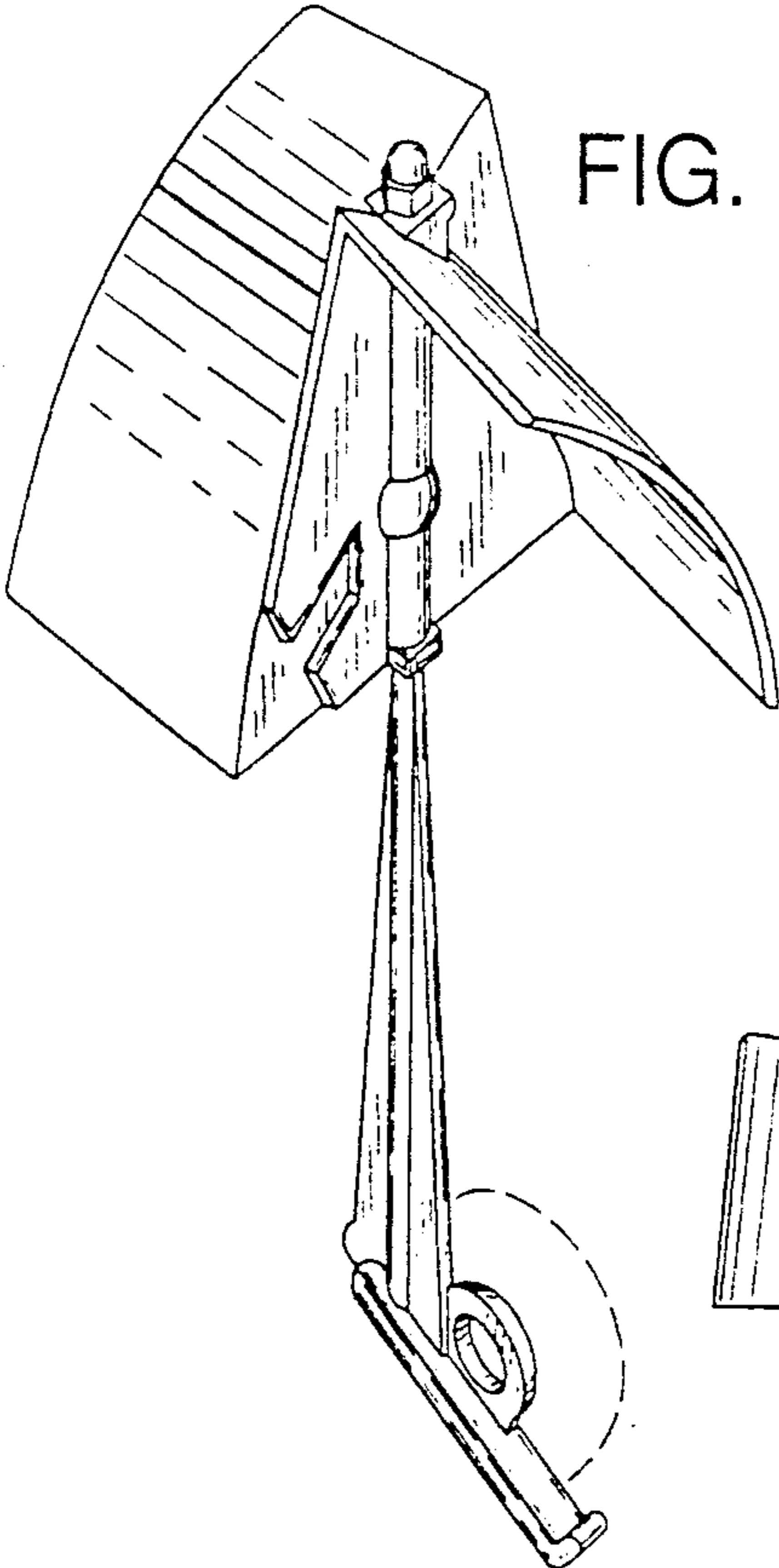


FIG. 1

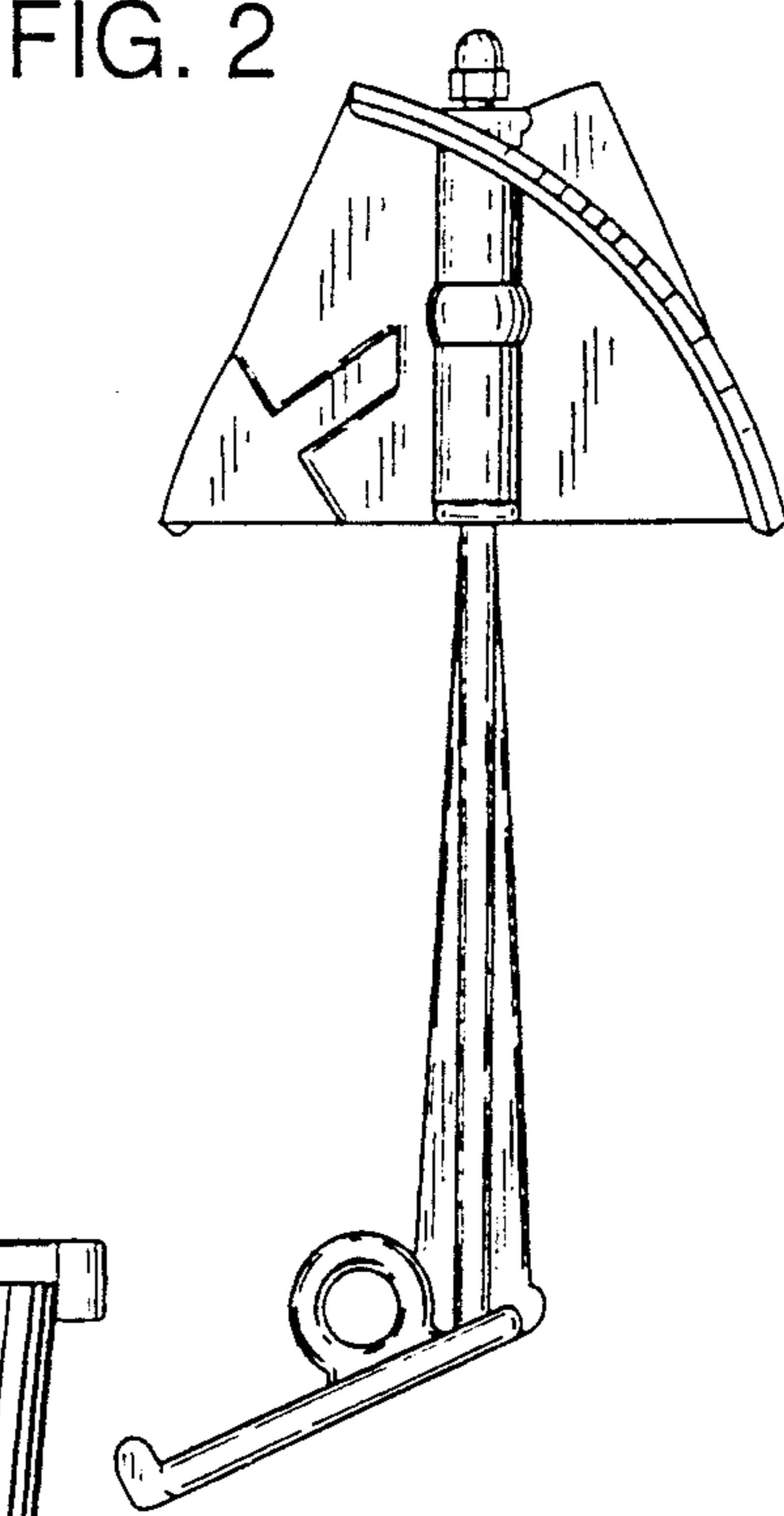


FIG. 2

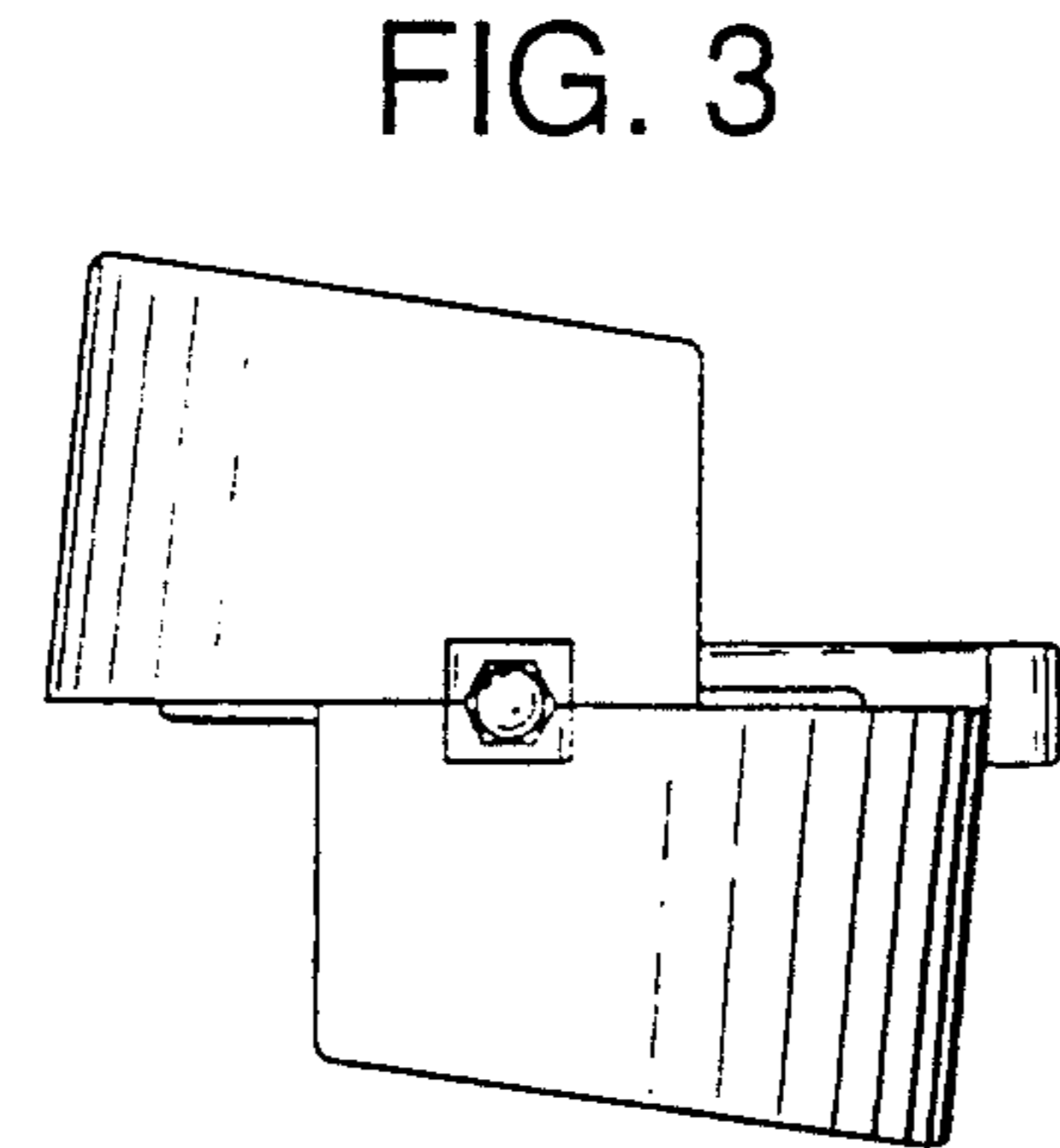


FIG. 3

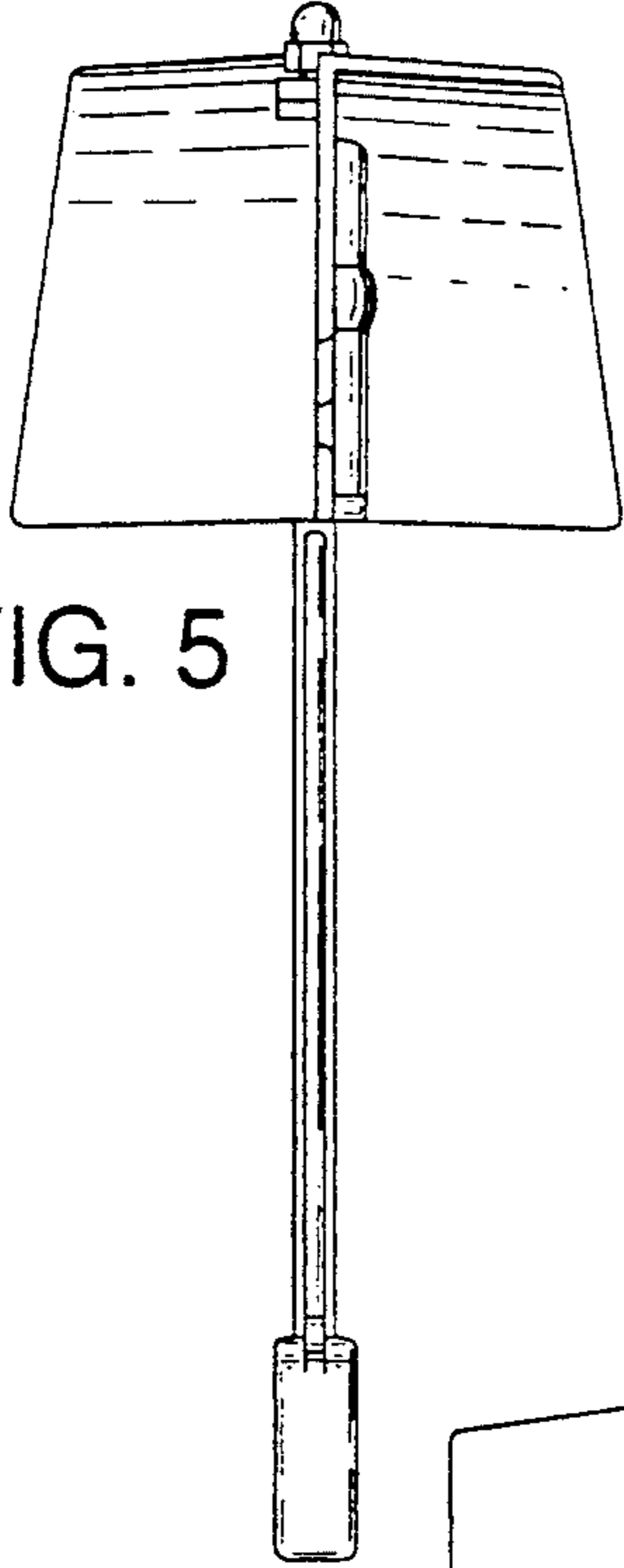


FIG. 5

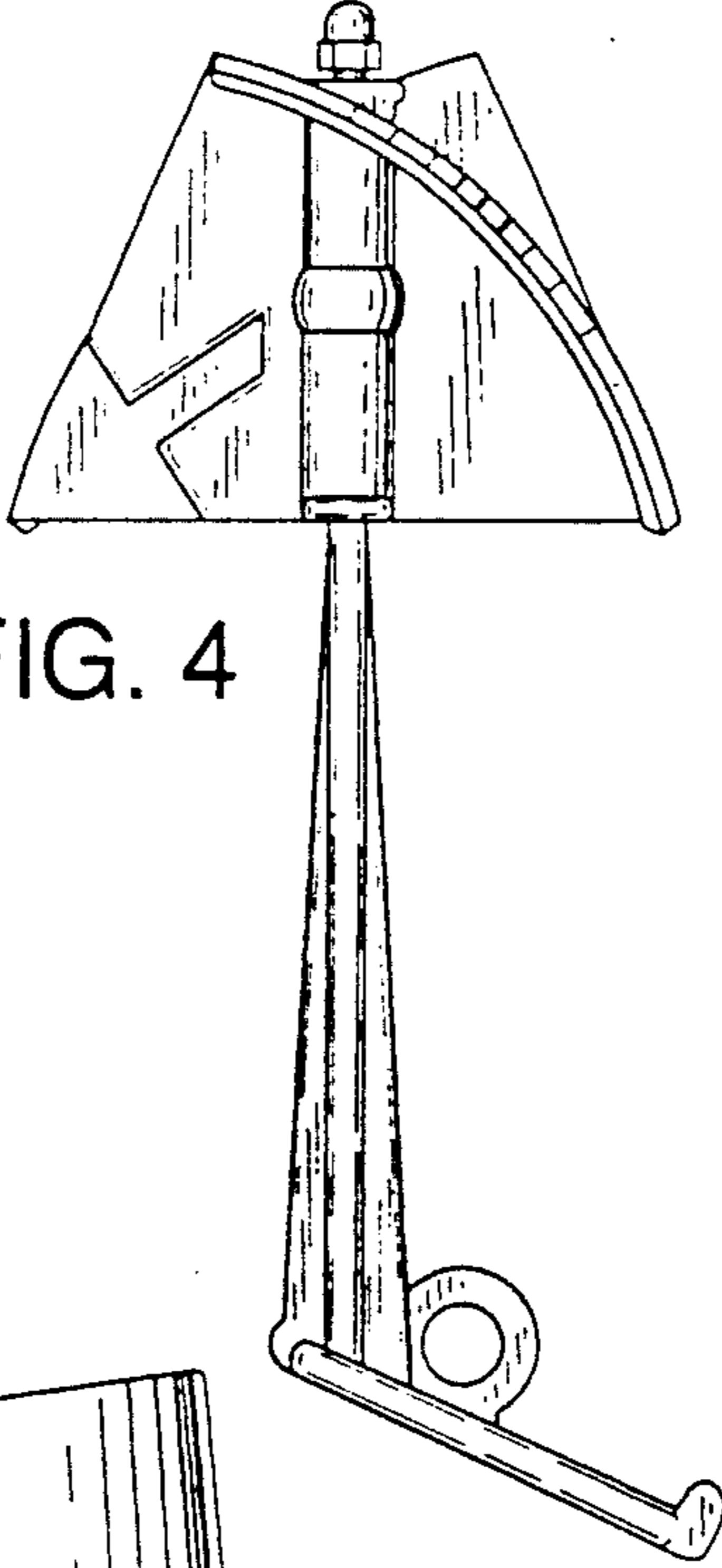


FIG. 4

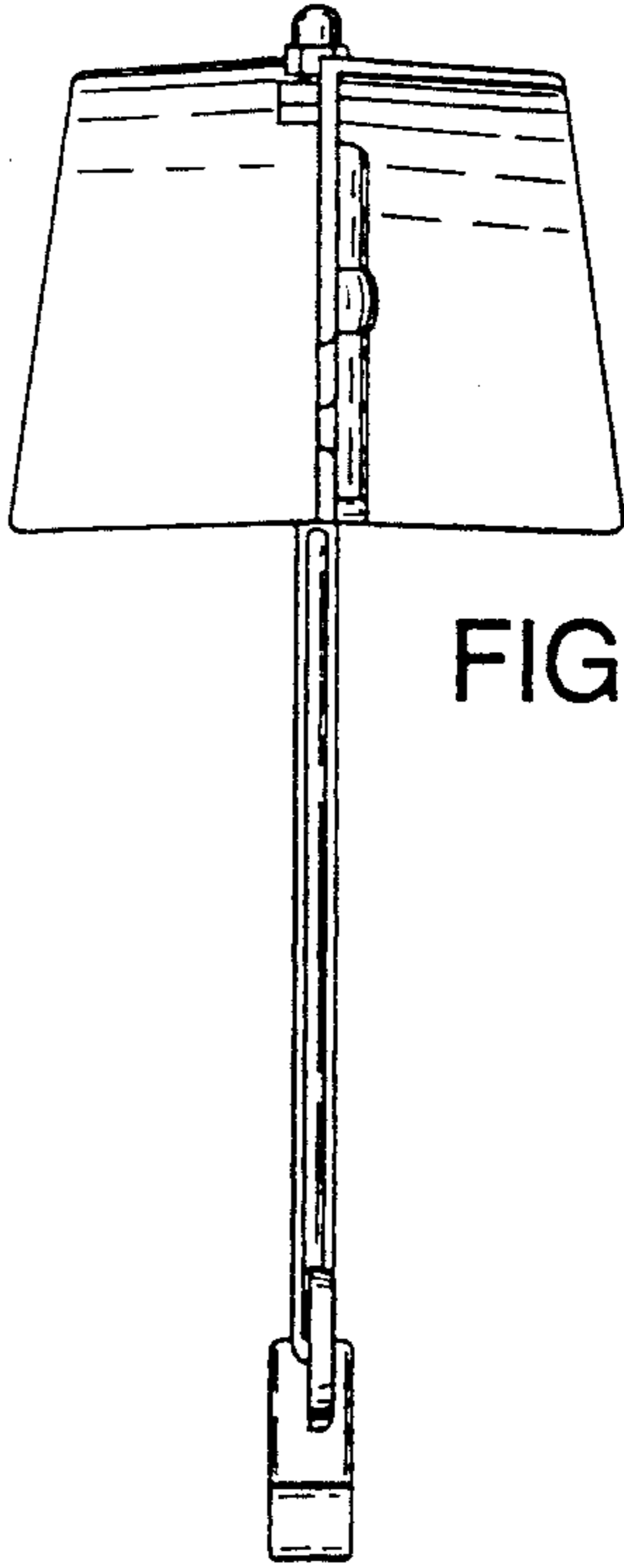


FIG. 6

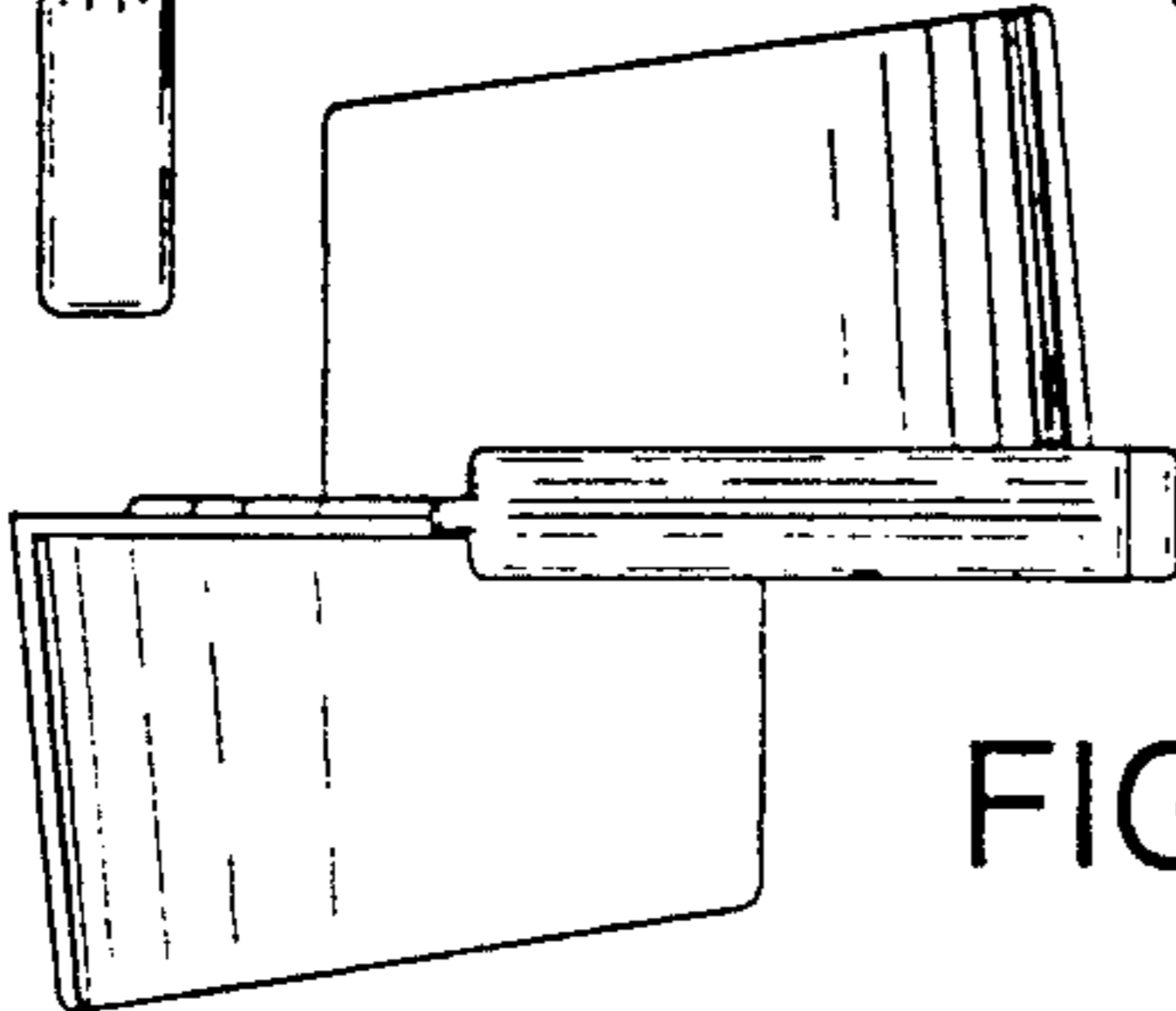


FIG. 7