



US00D332231S

United States Patent [19]

[11] Patent Number: Des. 332,231

Akimoto et al.

[45] Date of Patent: ** Jan. 5, 1993

[54] FIRE DETECTOR

D. 314.719 2/1991 Gardner D10/106
D. 316.828 5/1991 Amemiya et al. D10/106
D. 319.798 9/1991 Hatano D10/106

[75] Inventors: Katsuhiko Akimoto; Noboru Seino,
both of Tokyo, Japan

[73] Assignee: Nittan Co., Ltd., Tokyo, Japan

Primary Examiner—Wallace R. Burke
Assistant Examiner—Marcus Jackson
Attorney, Agent, or Firm—Sughrue, Mion, Zinn,
Macpeak & Seas

[**] Term: 14 Years

[21] Appl. No.: 688,203

[57] CLAIM

[22] Filed: Apr. 18, 1991

The ornamental design for a fire detector, as shown and described.

[30] Foreign Application Priority Data

Oct. 22, 1990 [JP] Japan 2-35095

DESCRIPTION

[52] U.S. Cl. D10/106

FIG. 1 is a perspective view of a fire detector showing my new design;

[58] Field of Search D10/104, 106, 121;
340/628, 571, 572, 636, 640, 641

FIG. 2 is a front elevational view thereof;

FIG. 3 is a bottom plan view thereof;

FIG. 4 is a left side elevational view thereof;

FIG. 5 is a right side elevational view thereof;

FIG. 6 is a bottom plan view thereof; and,

FIG. 7 is a rear elevational view thereof.

[56] References Cited

U.S. PATENT DOCUMENTS

D. 276.417 11/1984 Fenne D10/106
D. 279.872 7/1985 Thornton, Jr. et al. D10/106

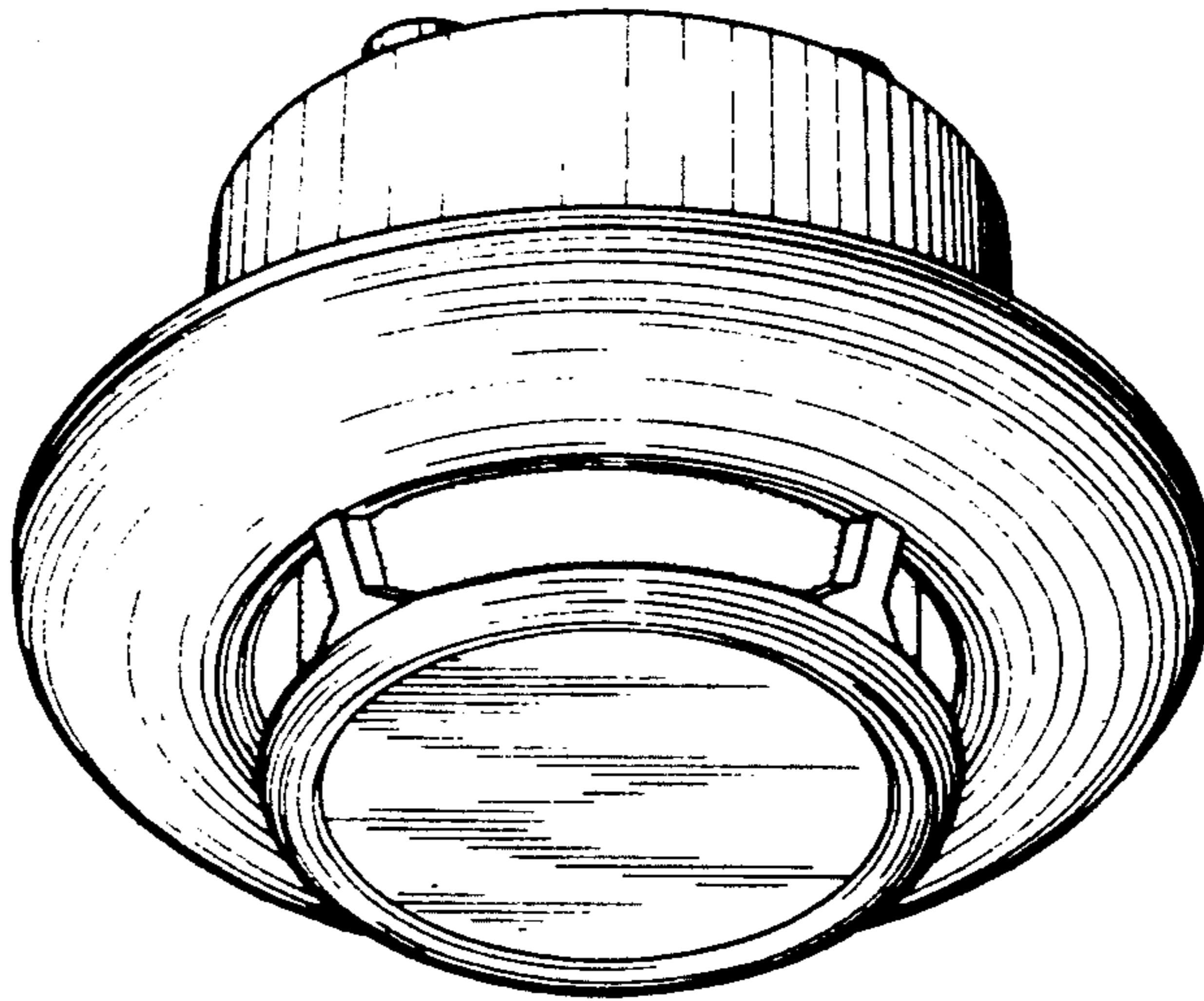


FIG. 1

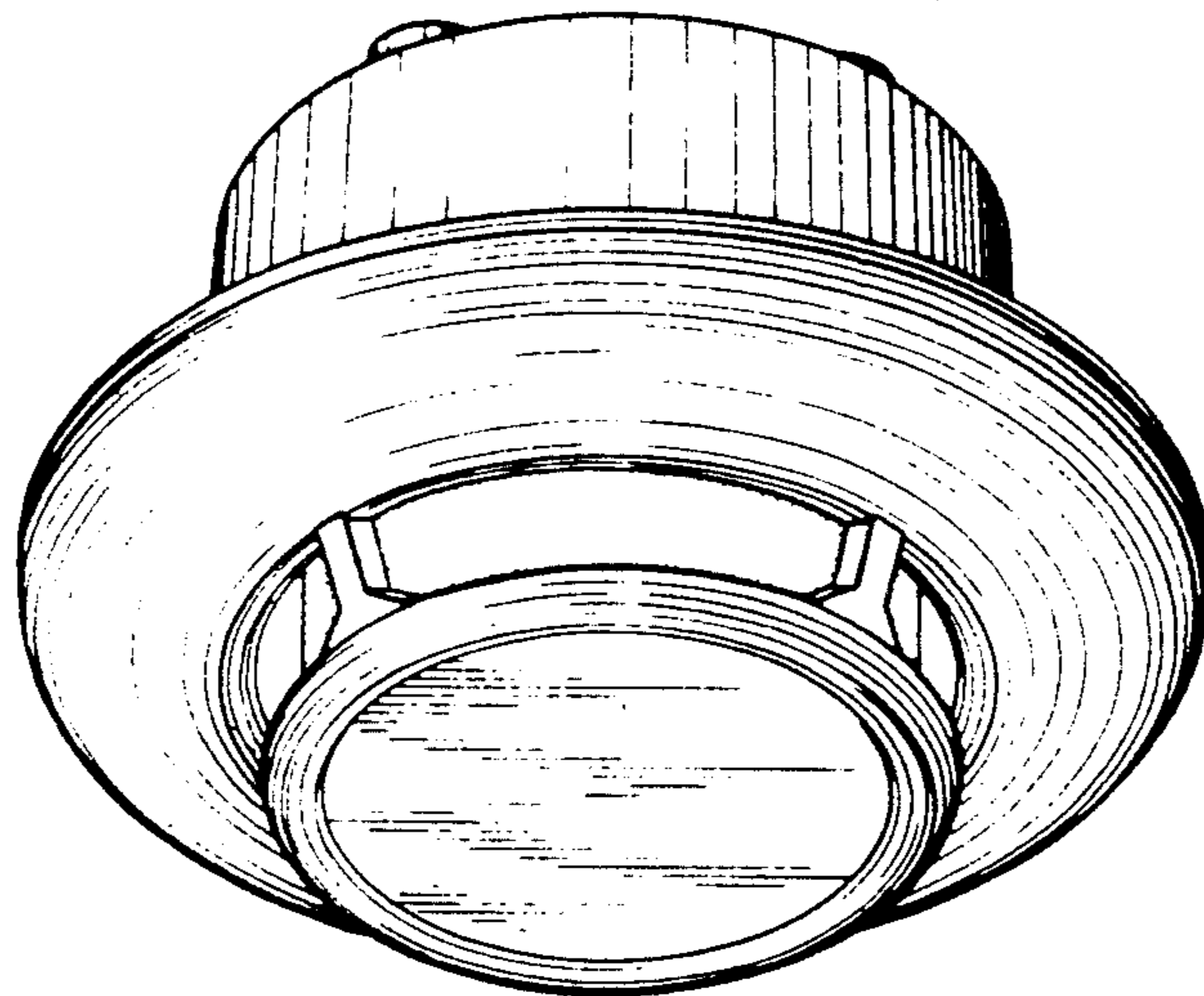


FIG. 2

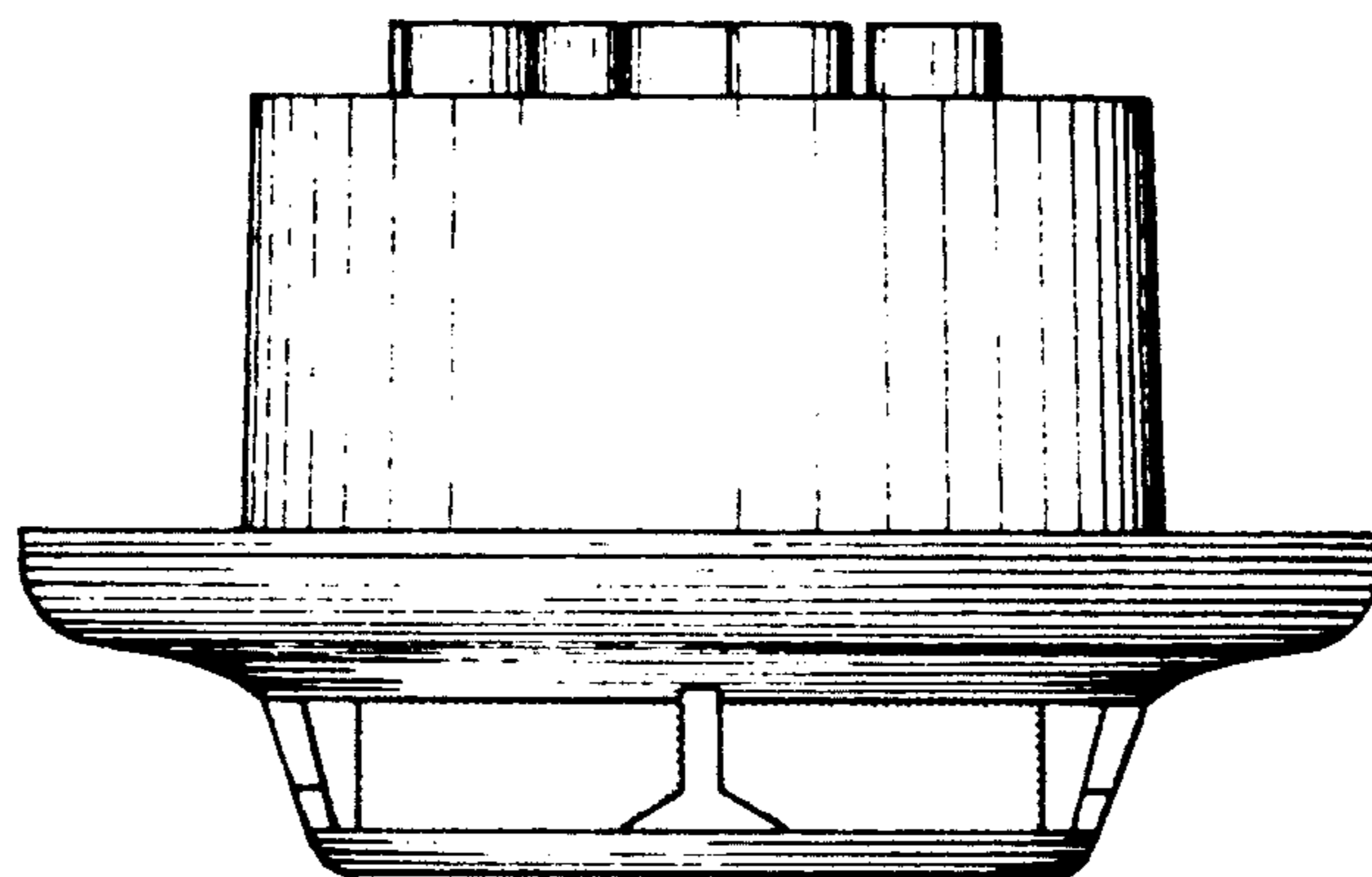


FIG. 3

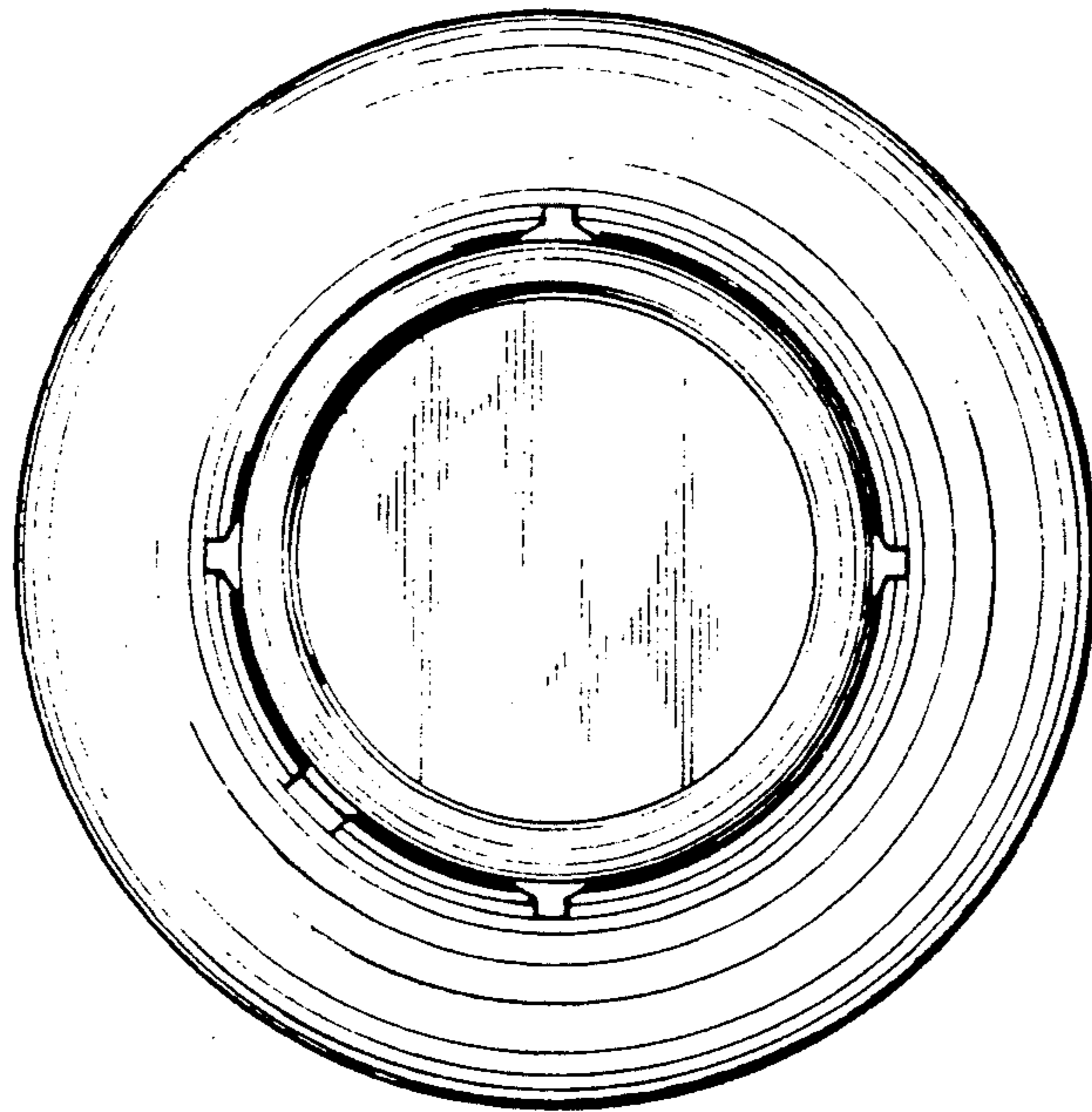


FIG. 4

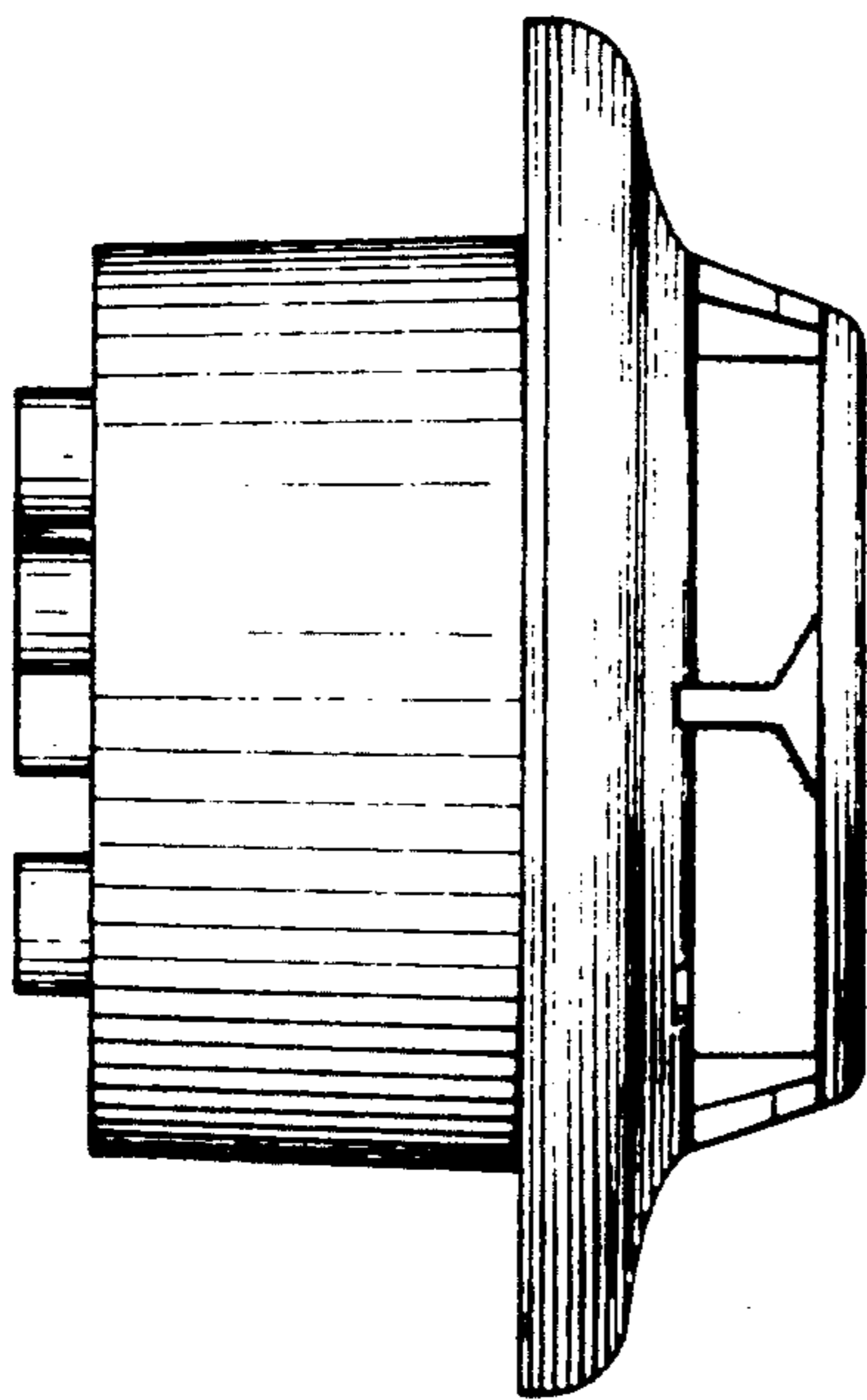


FIG. 5

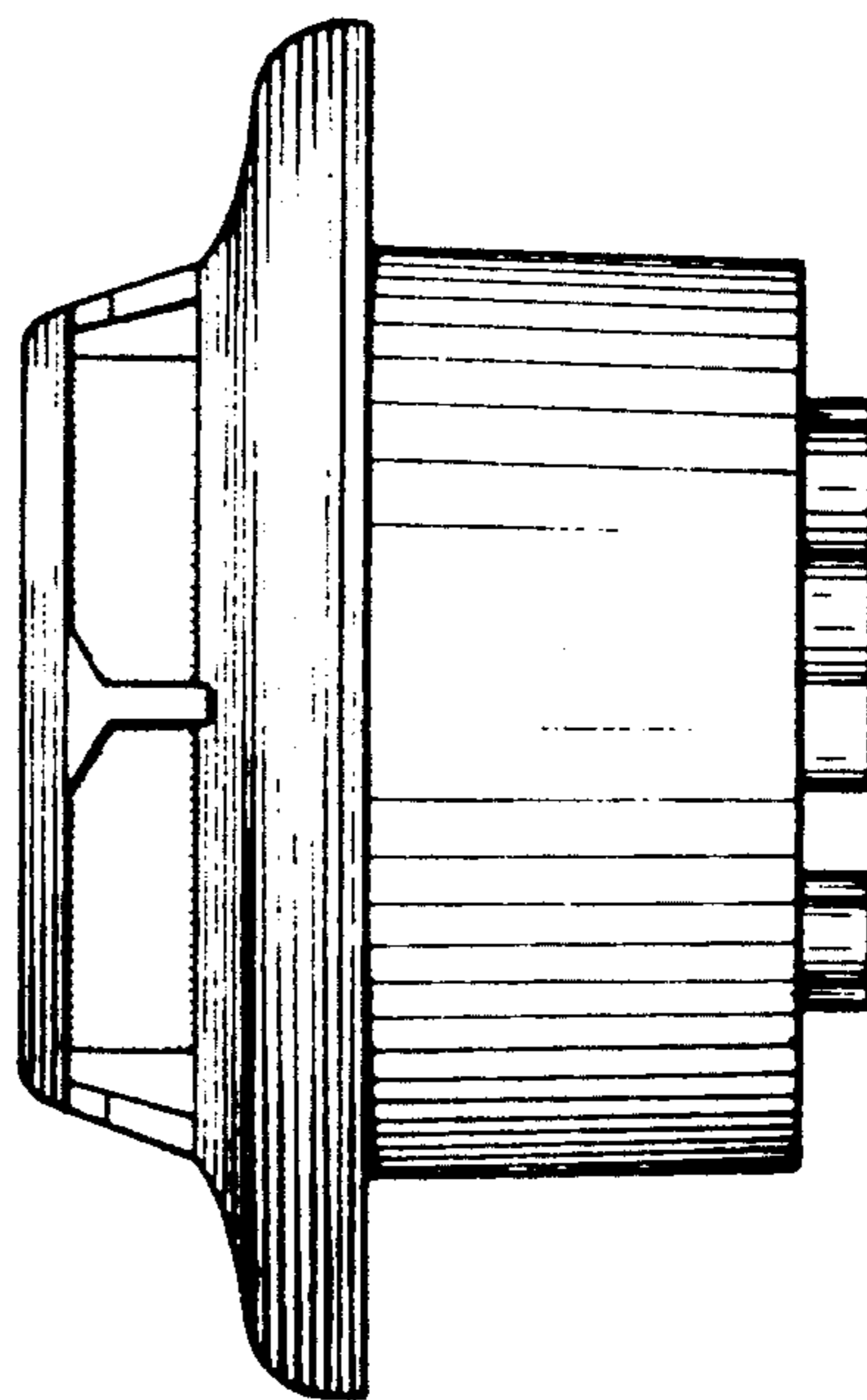


FIG. 6

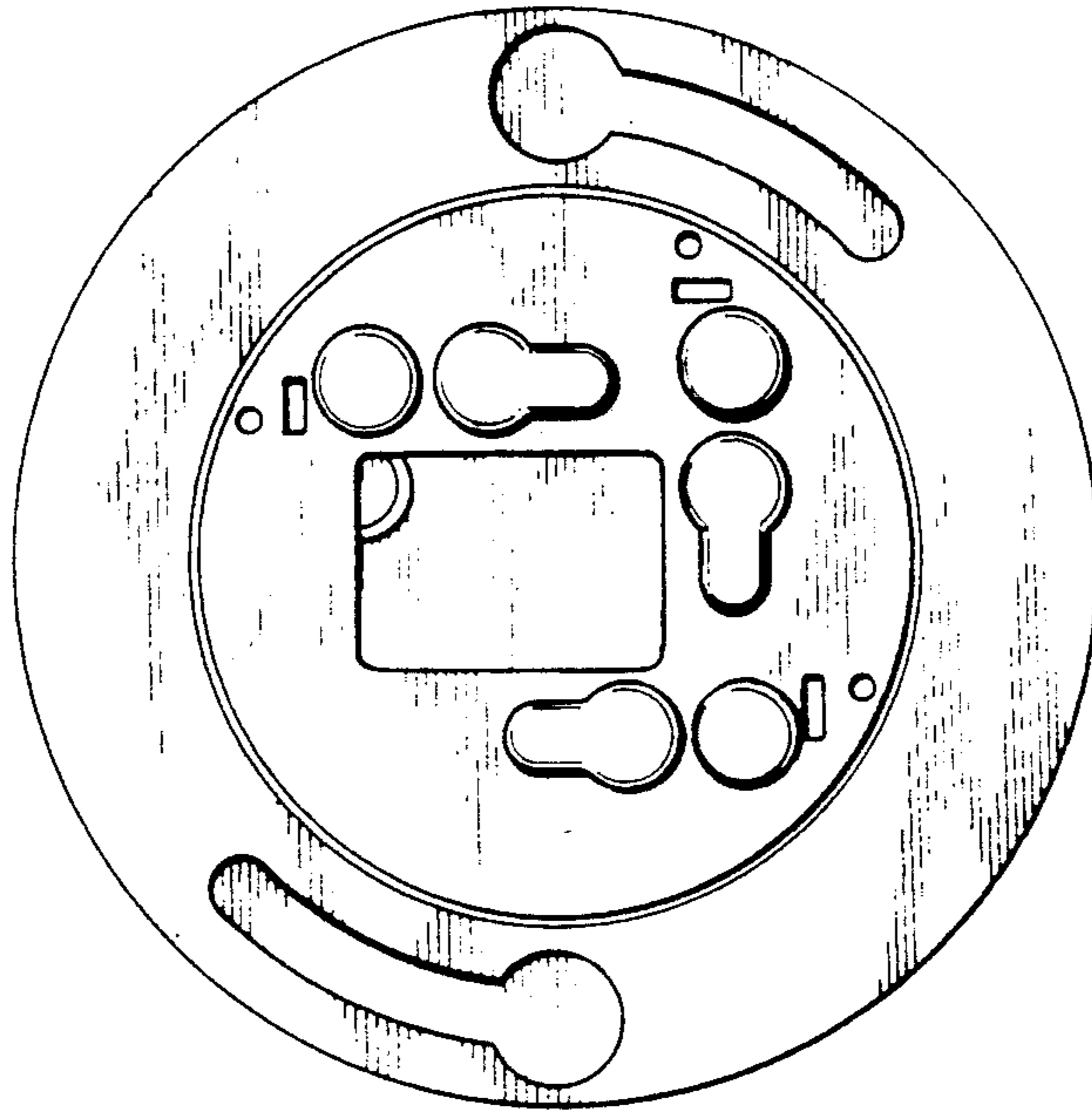


FIG. 7

