



US00D332223S

# United States Patent [19]

Albertson

[11] Patent Number: Des. 332,223

[45] Date of Patent: \*\* Jan. 5, 1993

[54] COMBINED VALVE AND BOTTLE CAP

[76] Inventor: David V. Albertson, 2100 Shadywood Rd., Wayzata, Minn. 55391

[\*\*] Term: 14 Years

[21] Appl. No.: 515,269

[22] Filed: Apr. 27, 1990

[52] U.S. Cl. .... D9/448; D9/439

[58] Field of Search ..... D9/439, 447, 448; 222/630, 631, 632, 635, 204, 153

[56] **References Cited**

**U.S. PATENT DOCUMENTS**

D. 142,196	8/1945	Swonson et al. ....	D9/439
D. 157,332	2/1950	Bolard .....	D9/439
D. 170,451	9/1953	Drell .....	D9/448
D. 277,073	11/1985	Czech .....	D9/447 X
D. 314,149	1/1991	Guilbert .....	D9/448
3,348,740	10/1967	O'Donnell .....	222/153
3,430,824	3/1969	Connors et al. .	
3,493,146	2/1970	Connors et al. .	
4,773,567	9/1988	Stoody .....	222/153

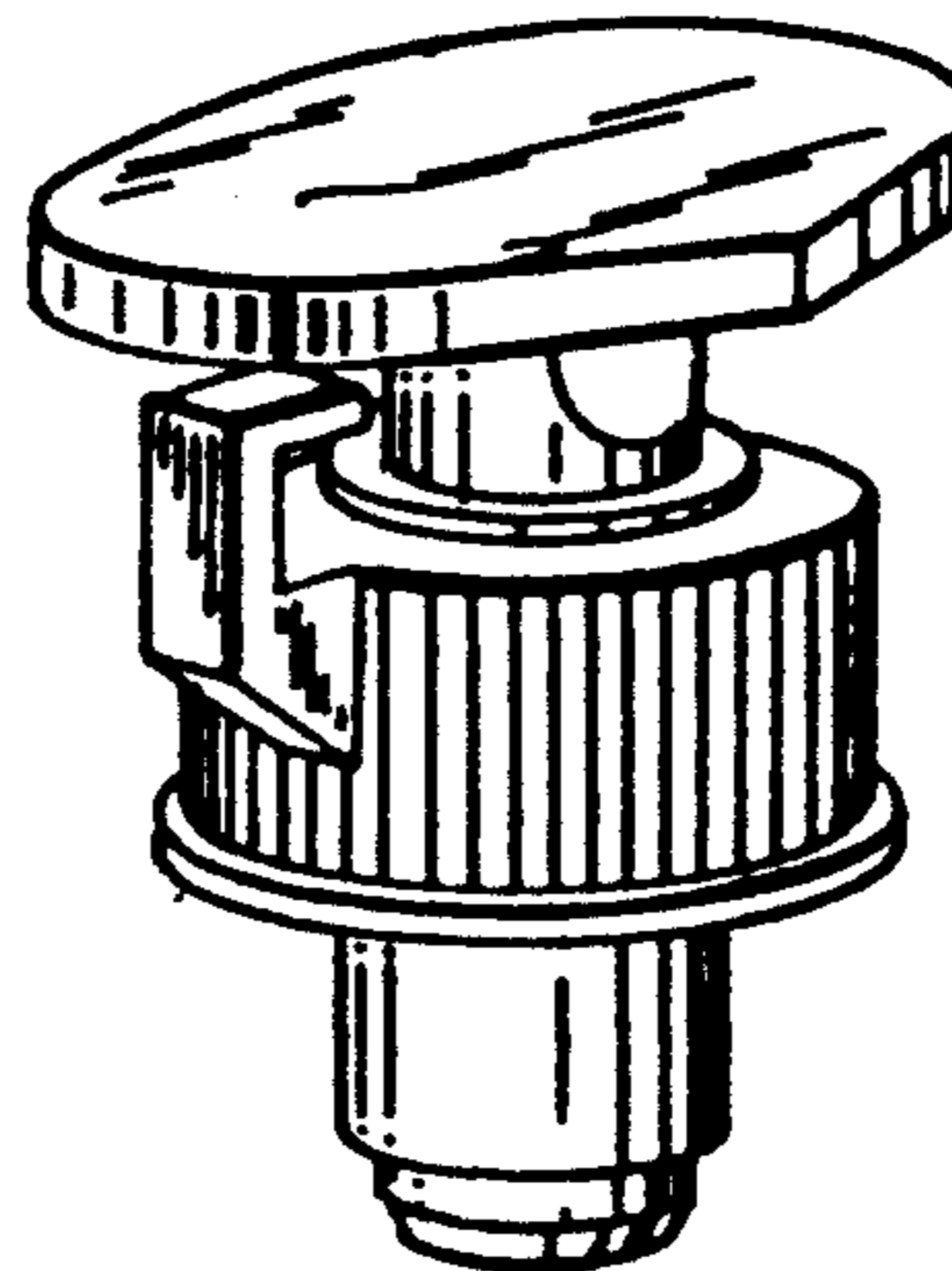
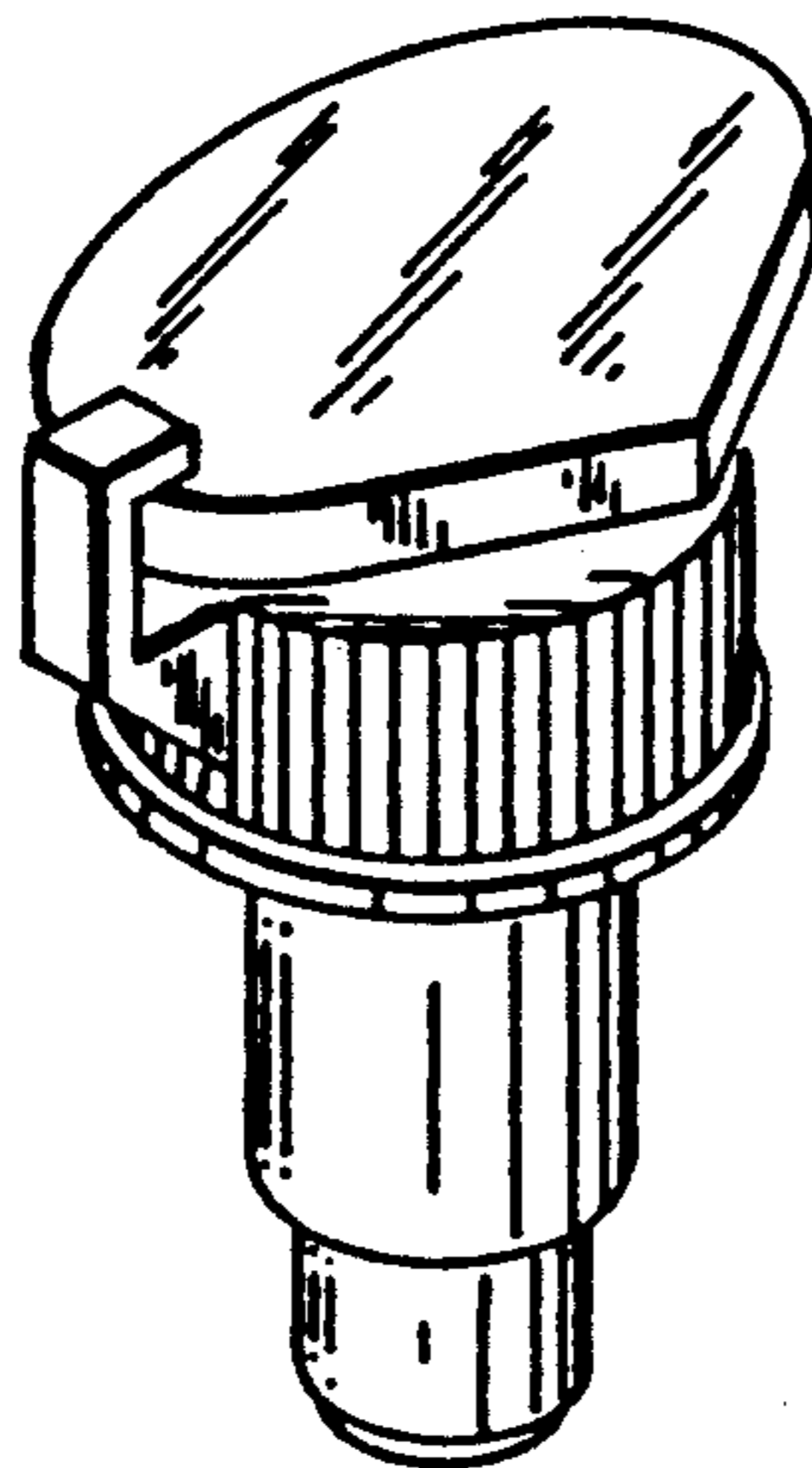
Primary Examiner—Bernard Ansher  
Assistant Examiner—Dominic Simone

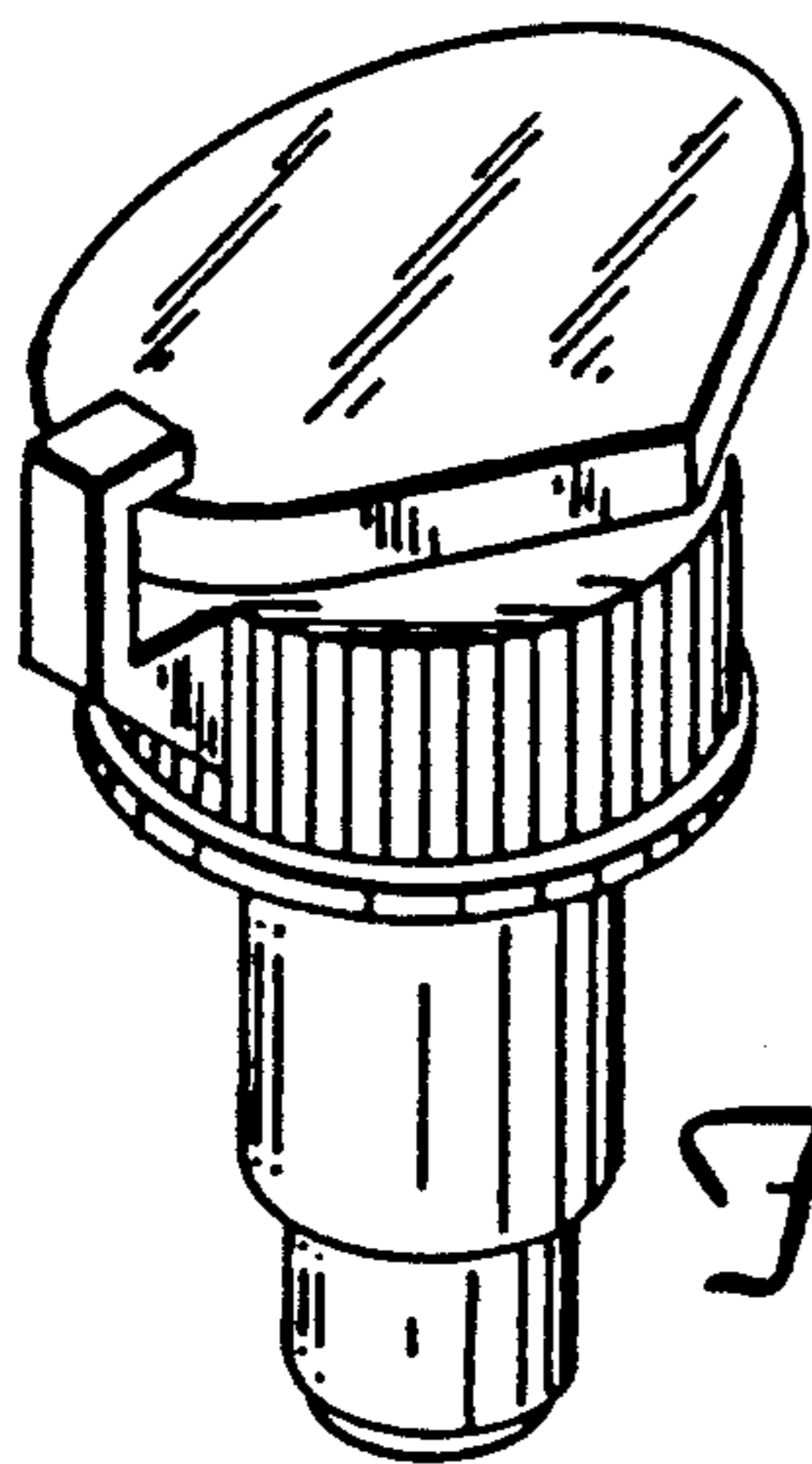
[57] **CLAIM**

The ornamental design for a combined valve and bottle cap, as shown described.

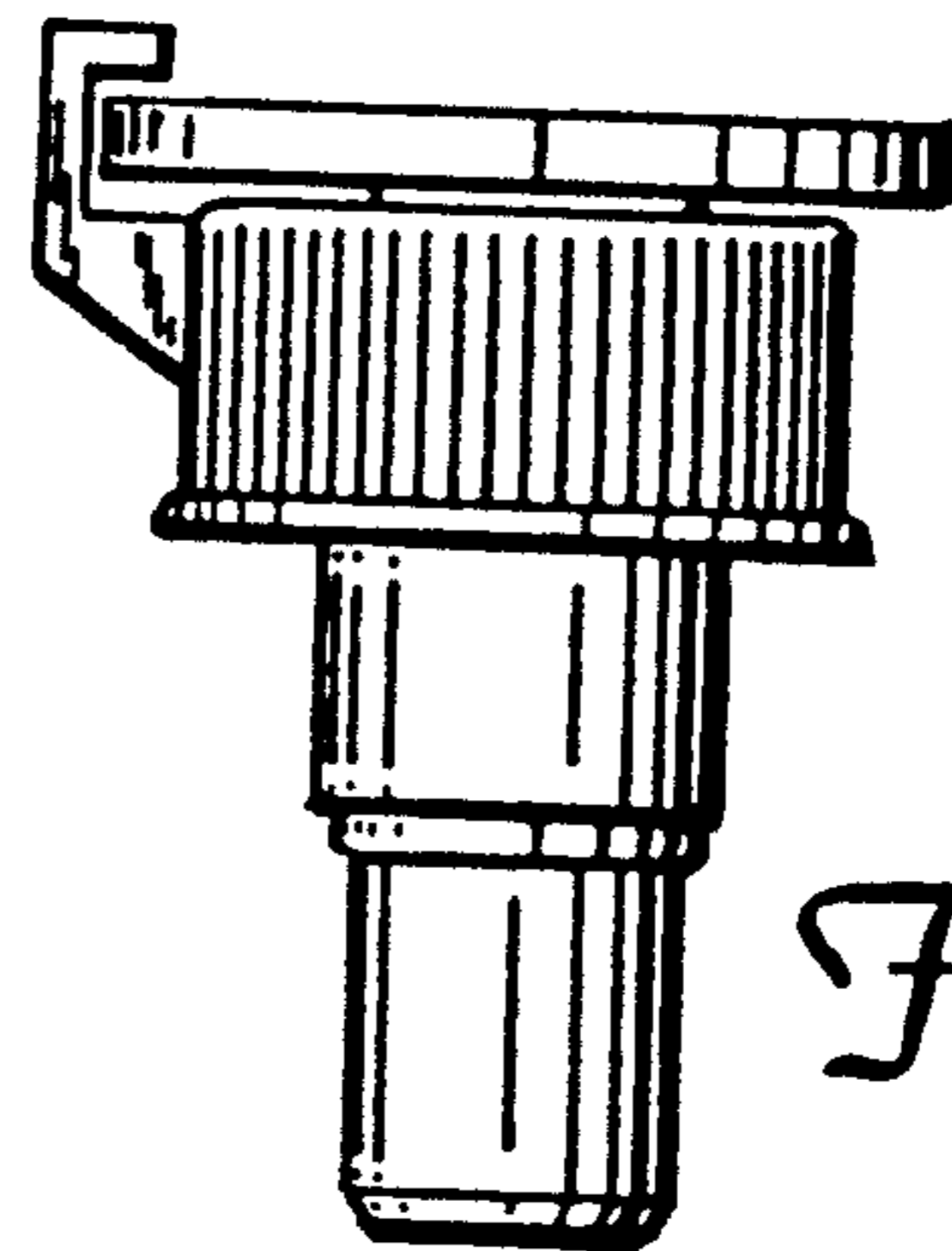
**DESCRIPTION**

FIG. 1 is a perspective view of a combined valve and bottle cap showing my new design;  
 FIG. 2 is a front elevational view thereof;  
 FIG. 3 is a rear elevational view thereof;  
 FIG. 4 is a left side elevational view thereof;  
 FIG. 5 is a right side elevational view of the right side thereof;  
 FIG. 6 is a top plan view thereof;  
 FIG. 7 is a bottom plan view thereof;  
 FIG. 8 is a perspective view thereof, in a position for use;  
 FIG. 9 is a front elevational view of FIG. 8;  
 FIG. 10 is a rear elevational view of FIG. 8;  
 FIG. 11 is a right side elevational view of FIG. 8;  
 FIG. 12 is a left side elevational view of FIG. 8;  
 FIG. 13 is a top plan view of FIG. 8; and,  
 FIG. 14 is a bottom plan view of FIG. 8.

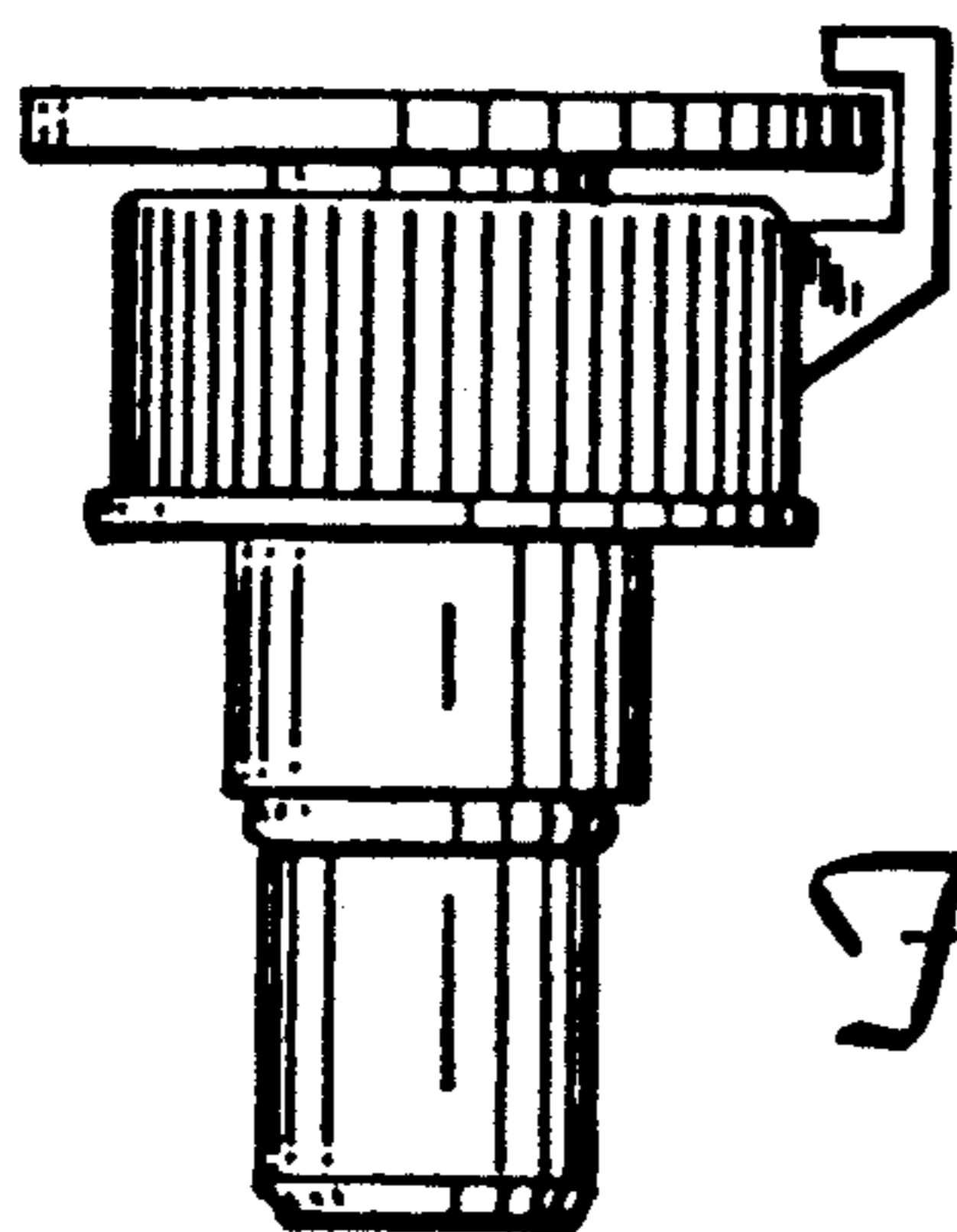




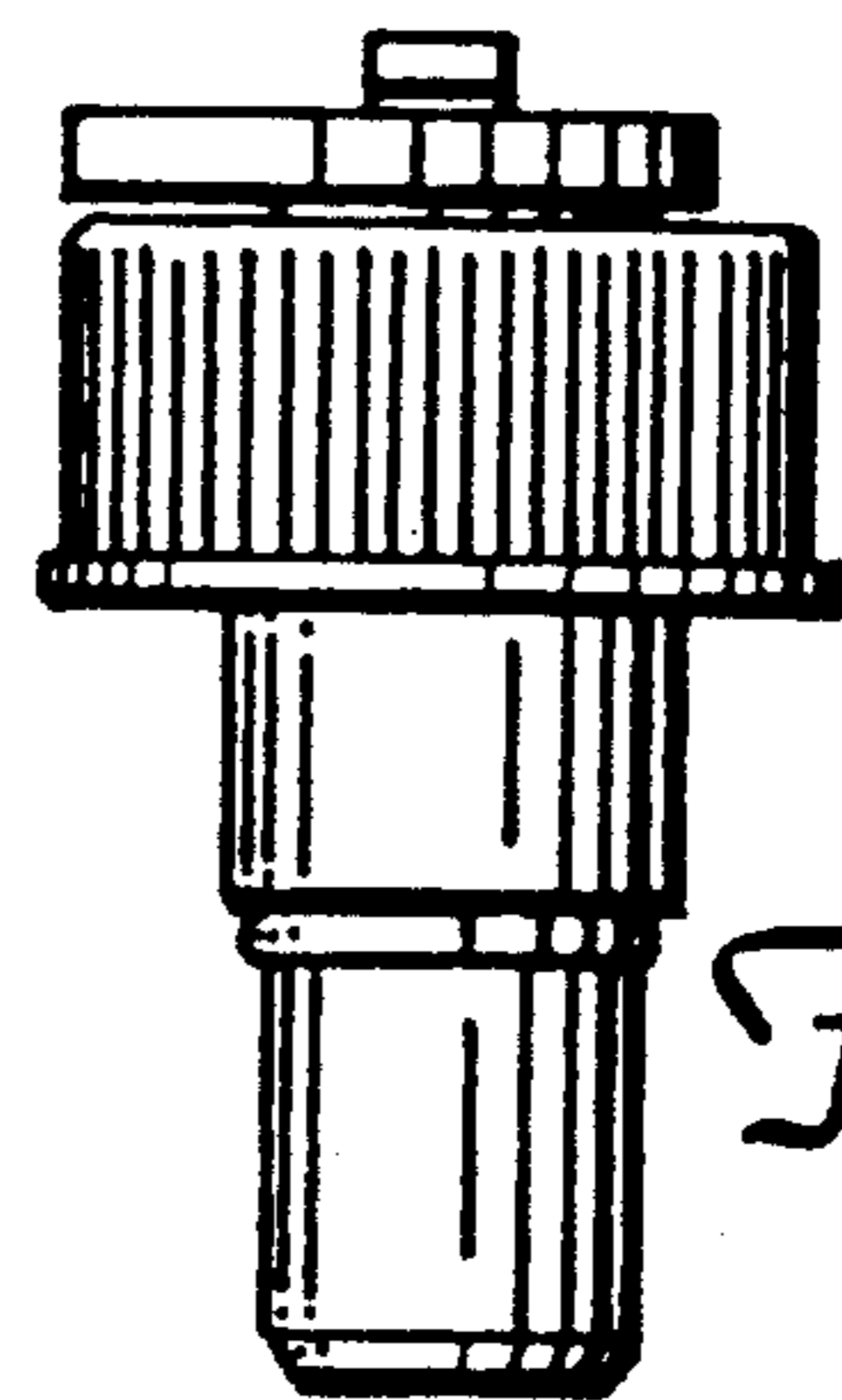
*Fig. 1*



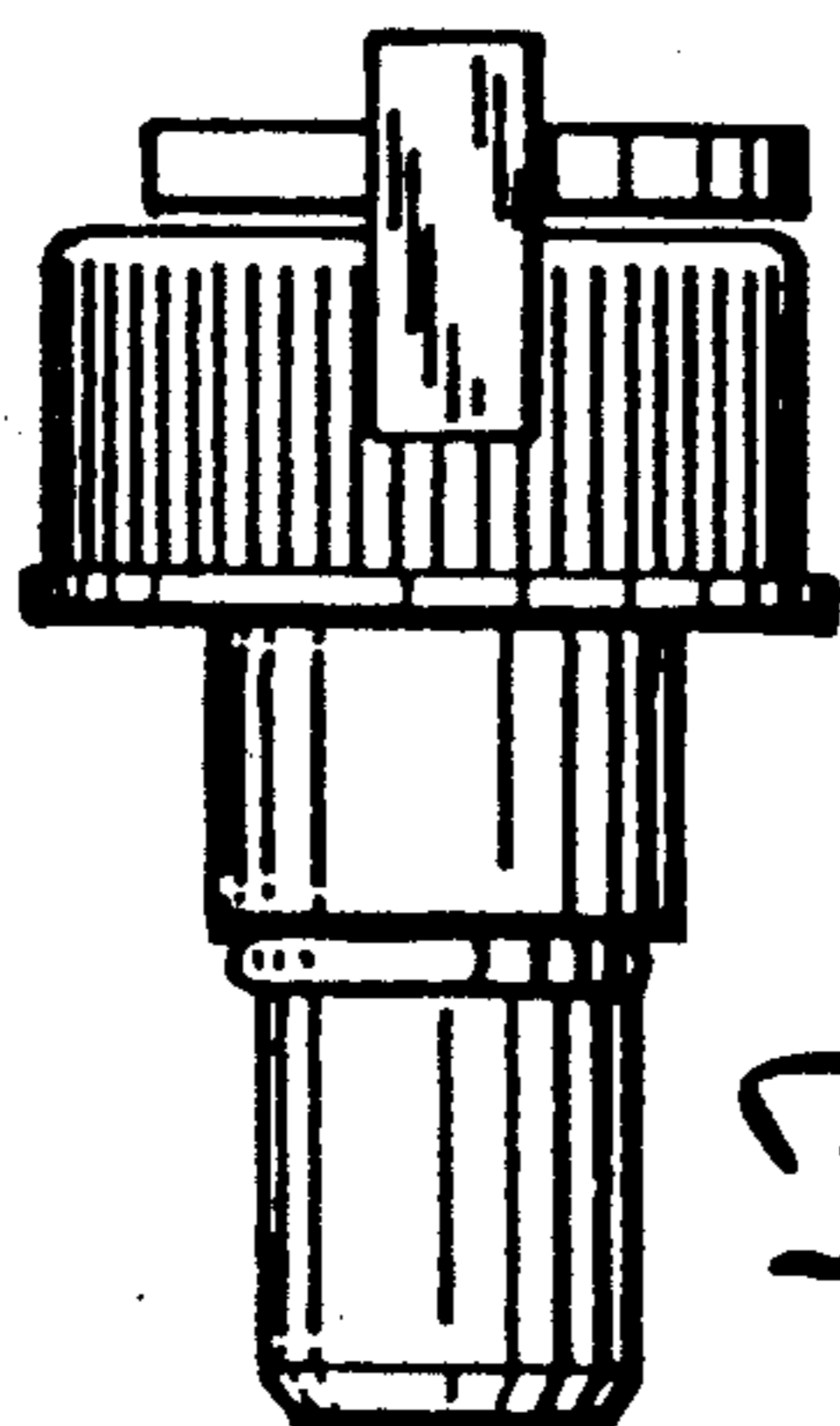
*Fig. 2*



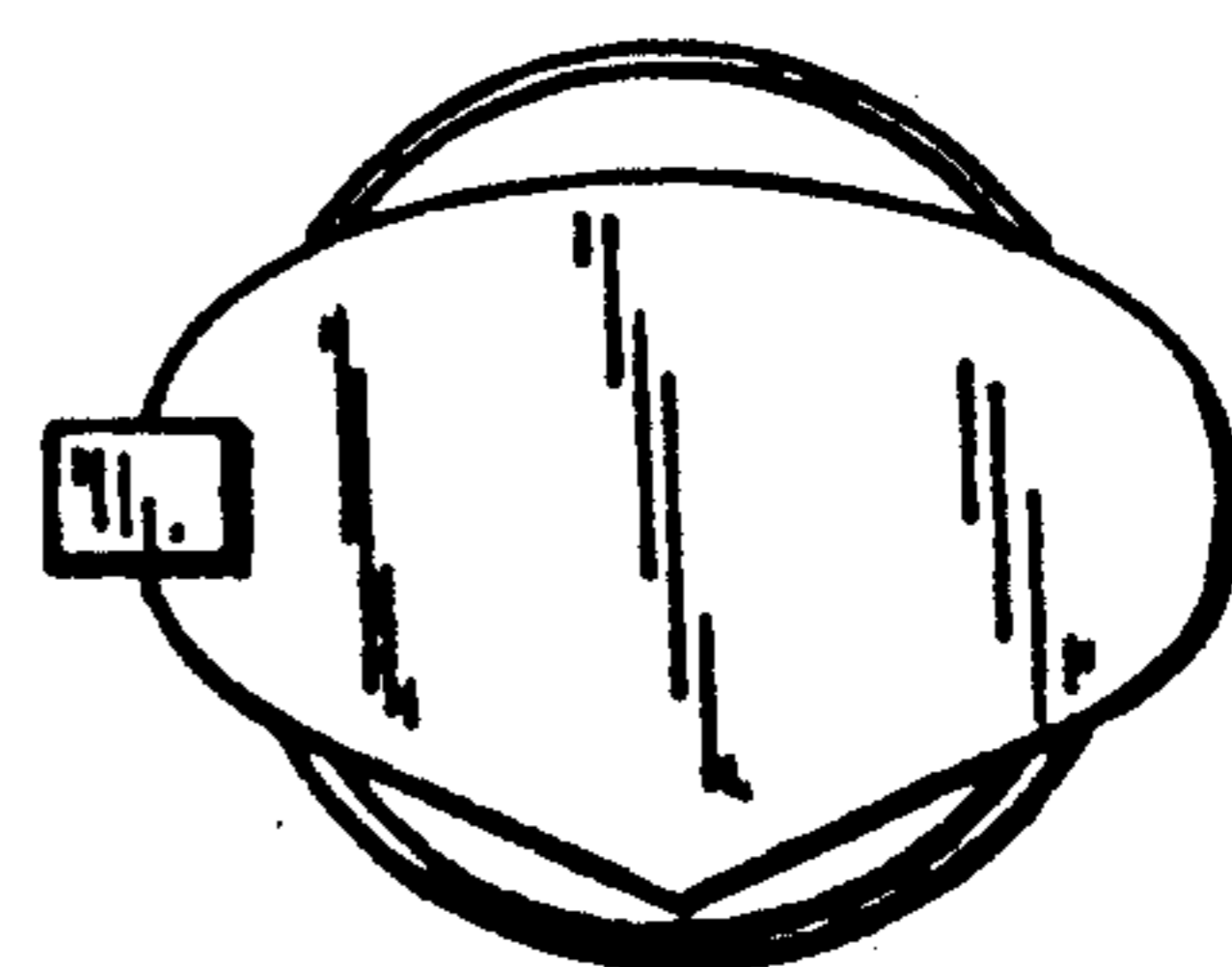
*Fig. 3*



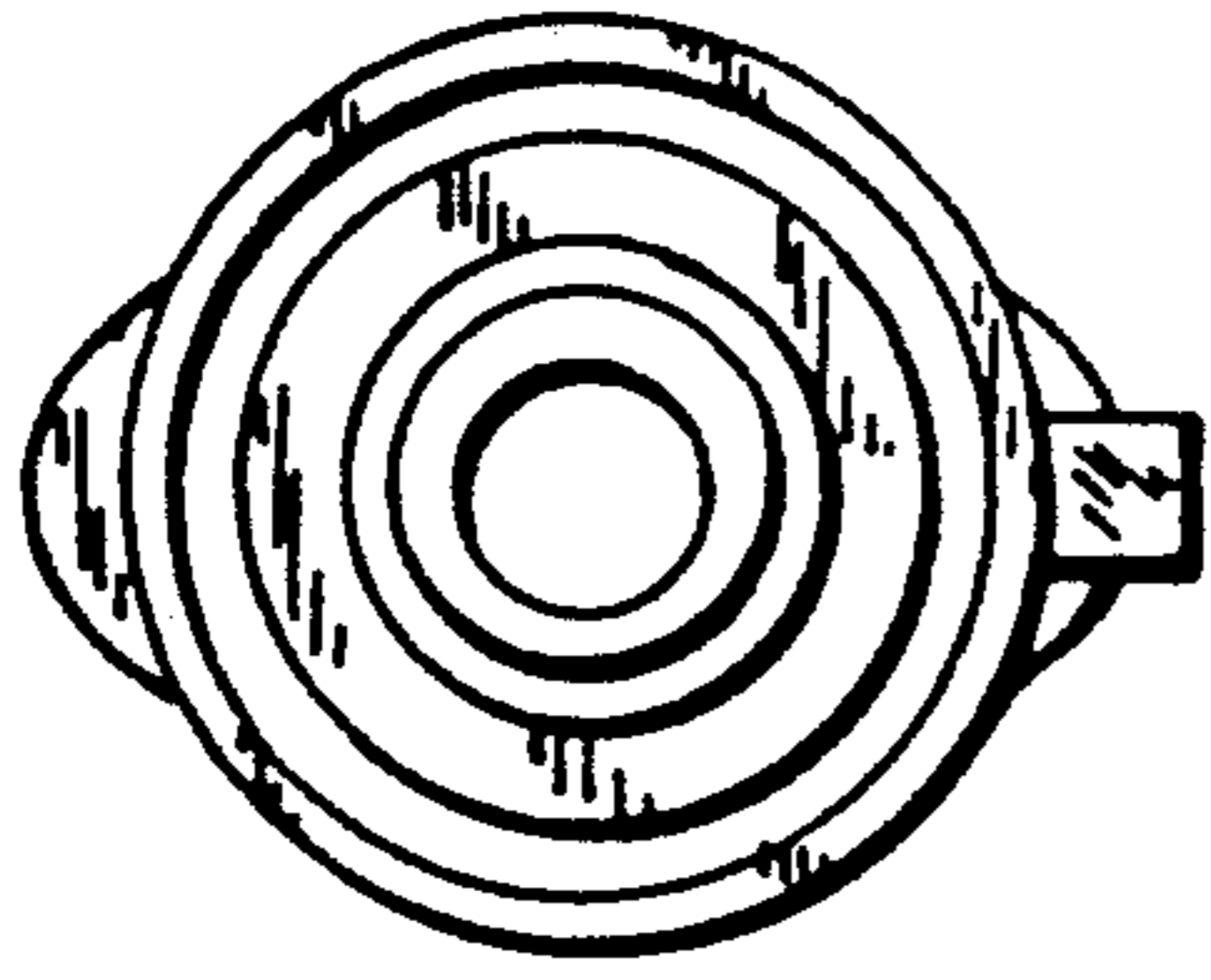
*Fig. 5*



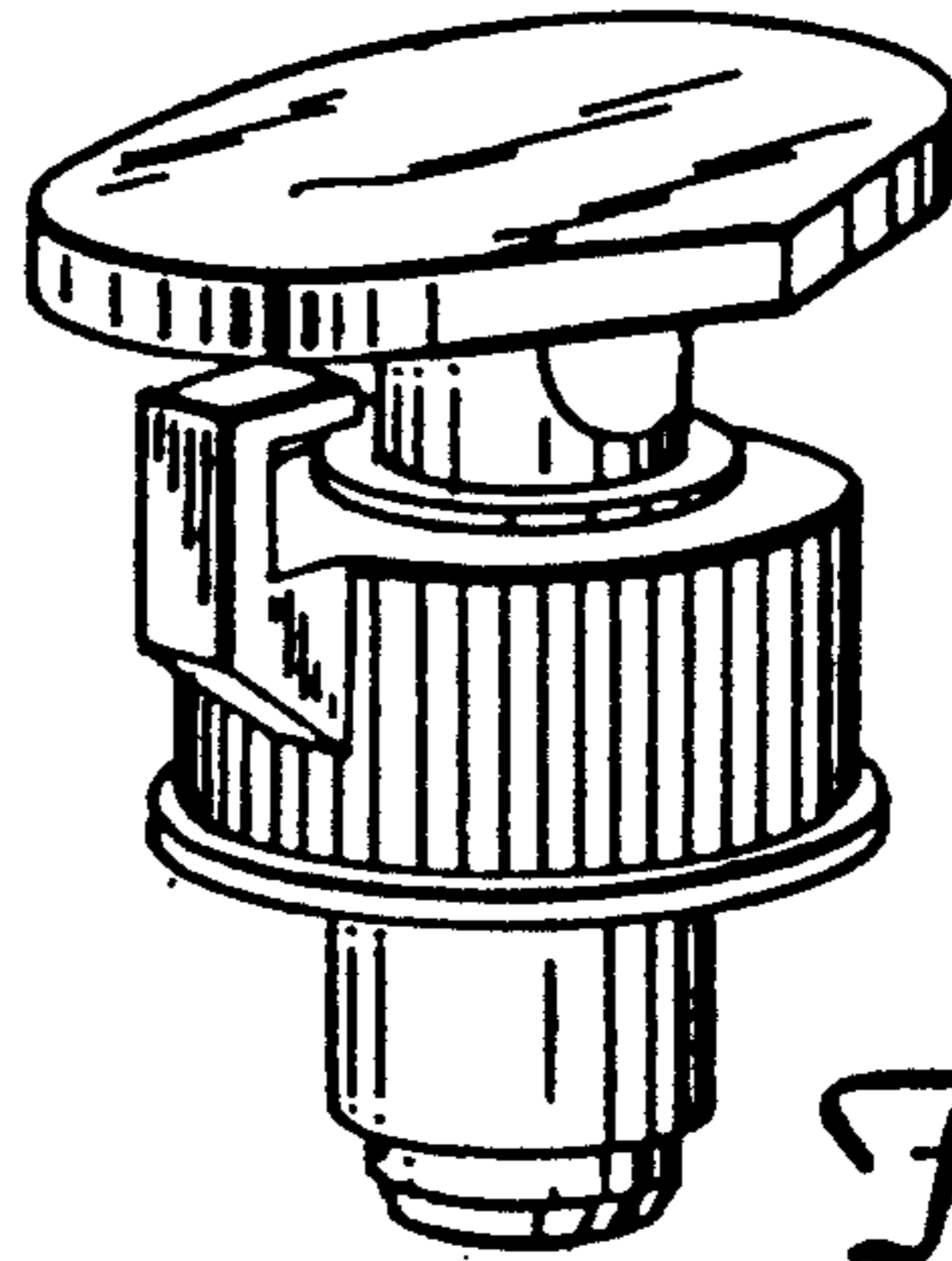
*Fig. 4*



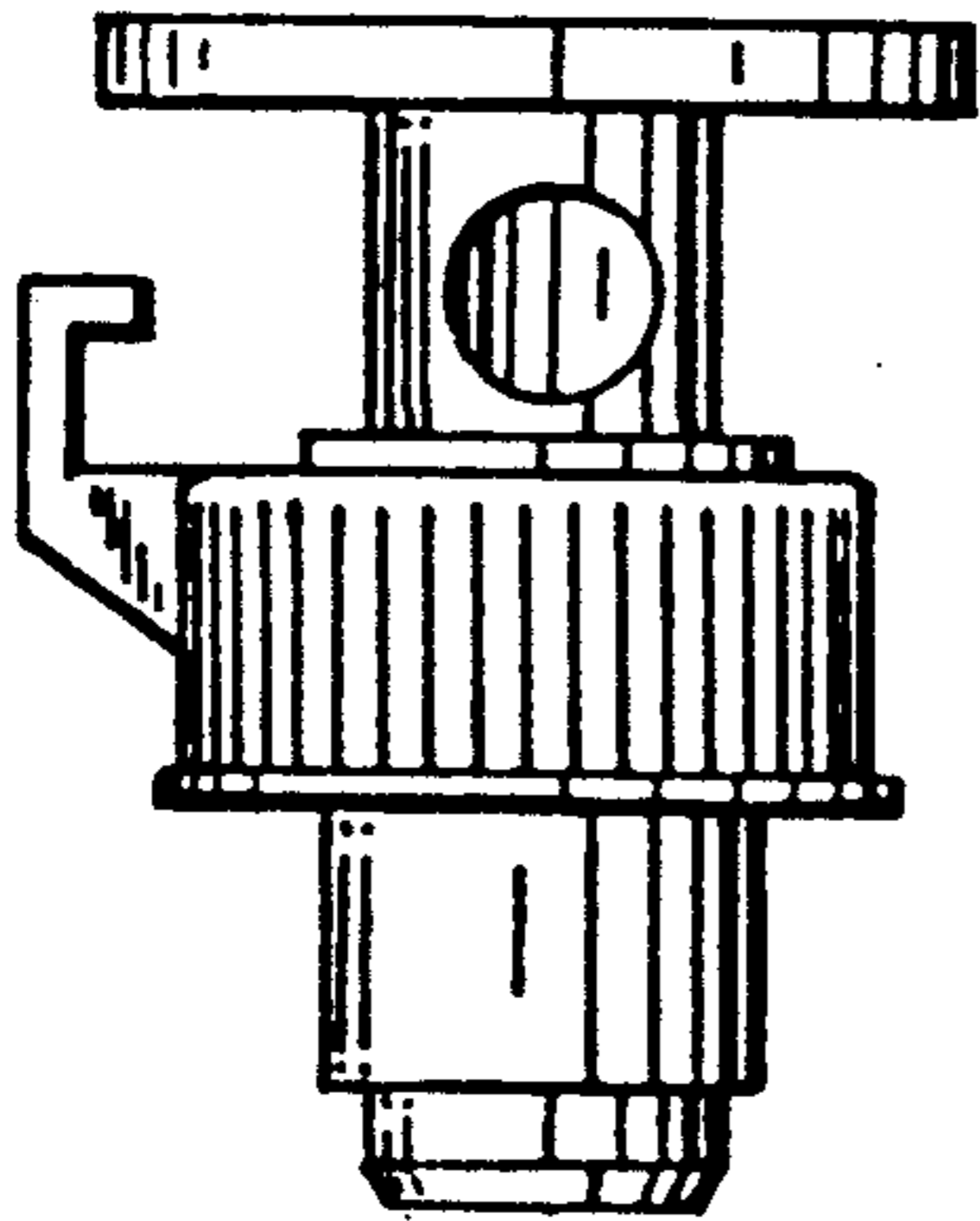
*Fig. 6*



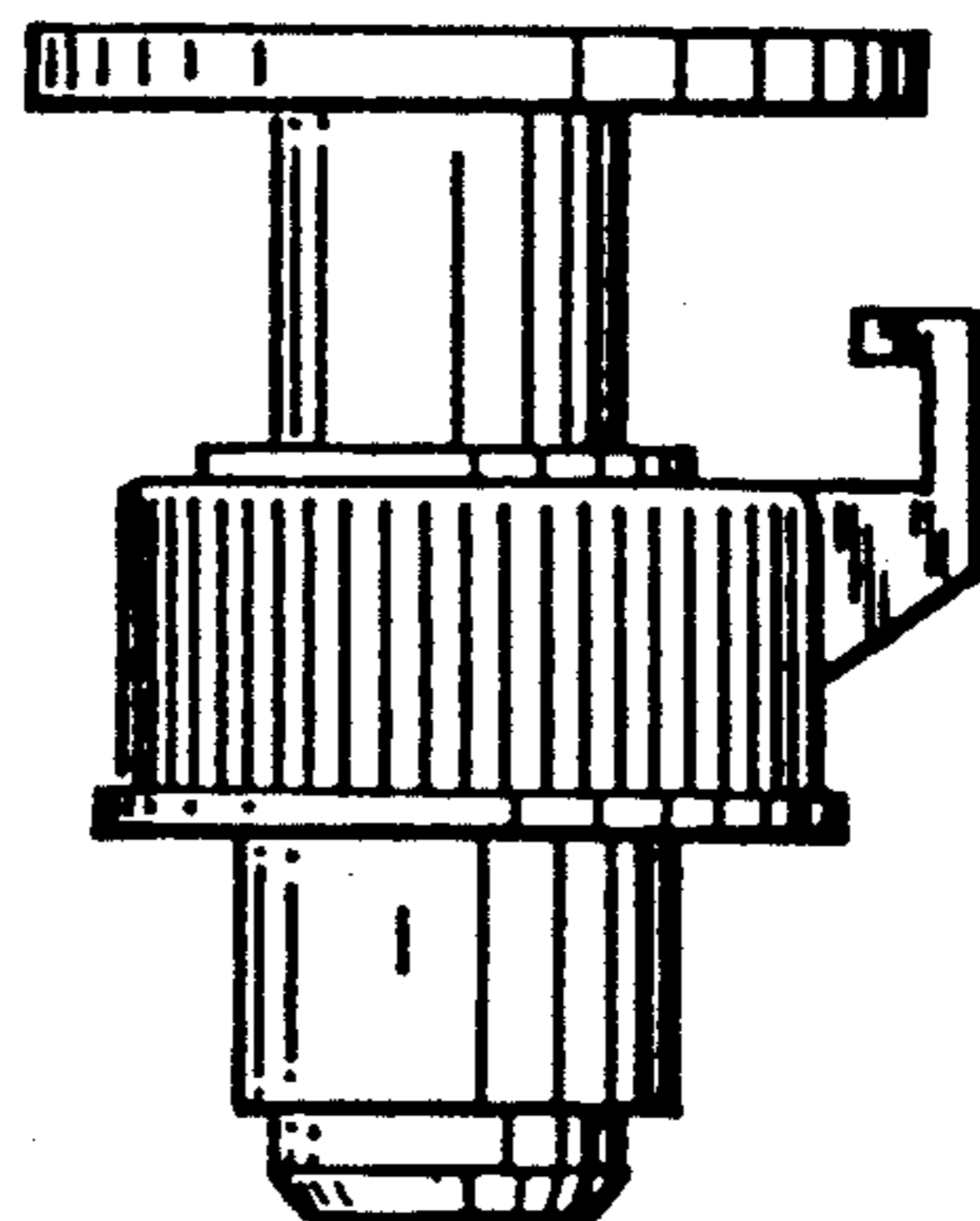
*Fig. 7*



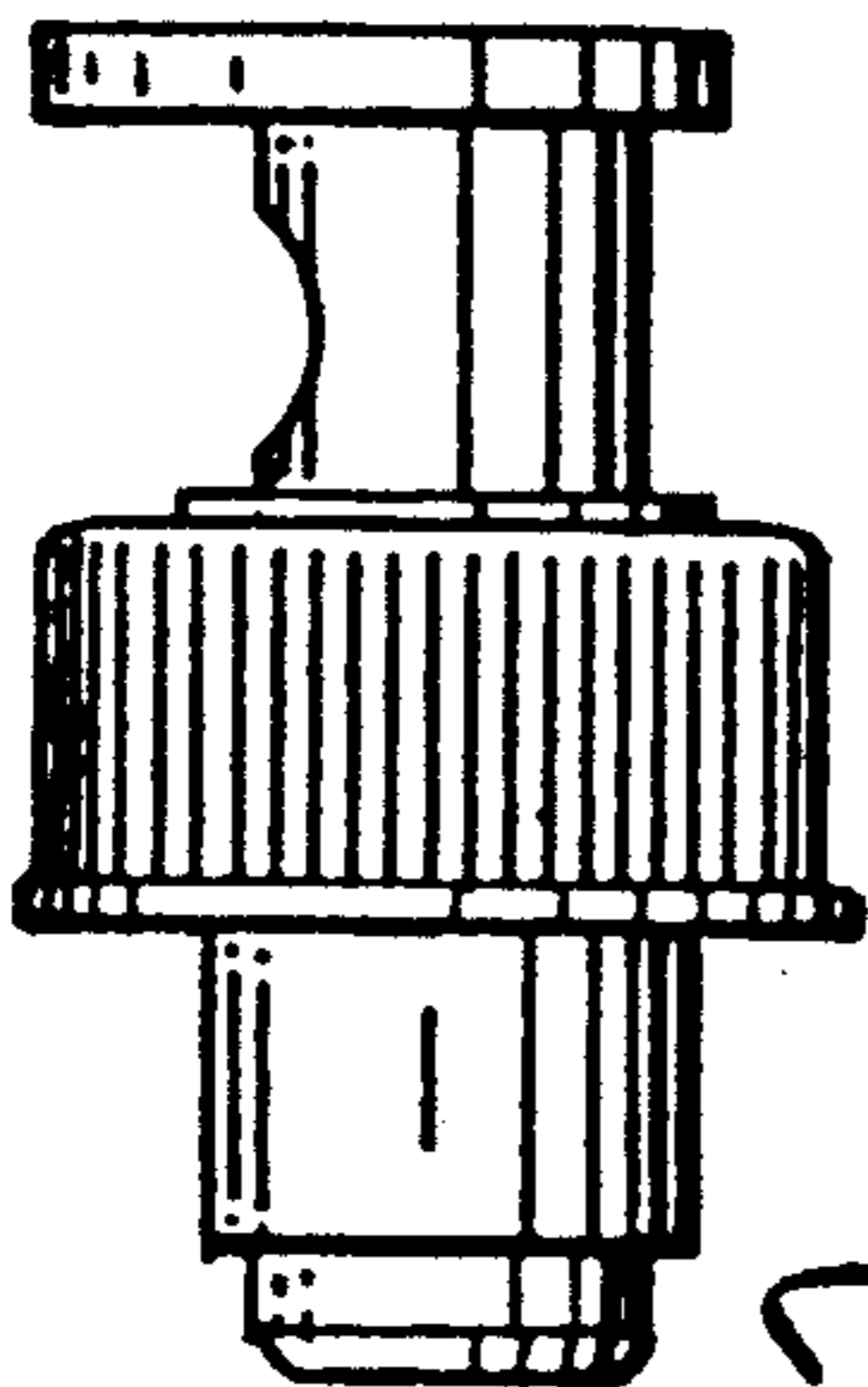
*Fig. 8*



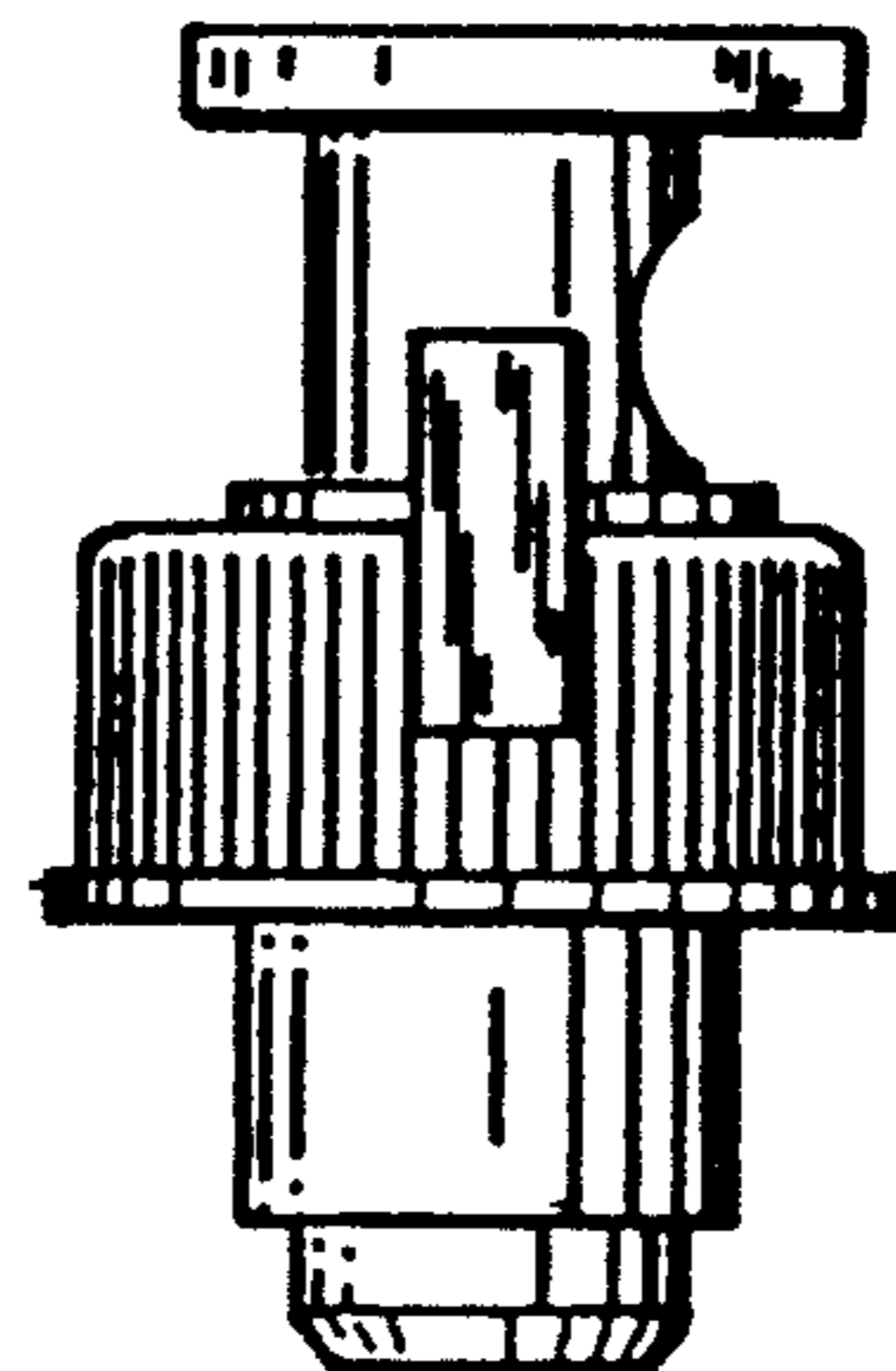
*Fig. 9*



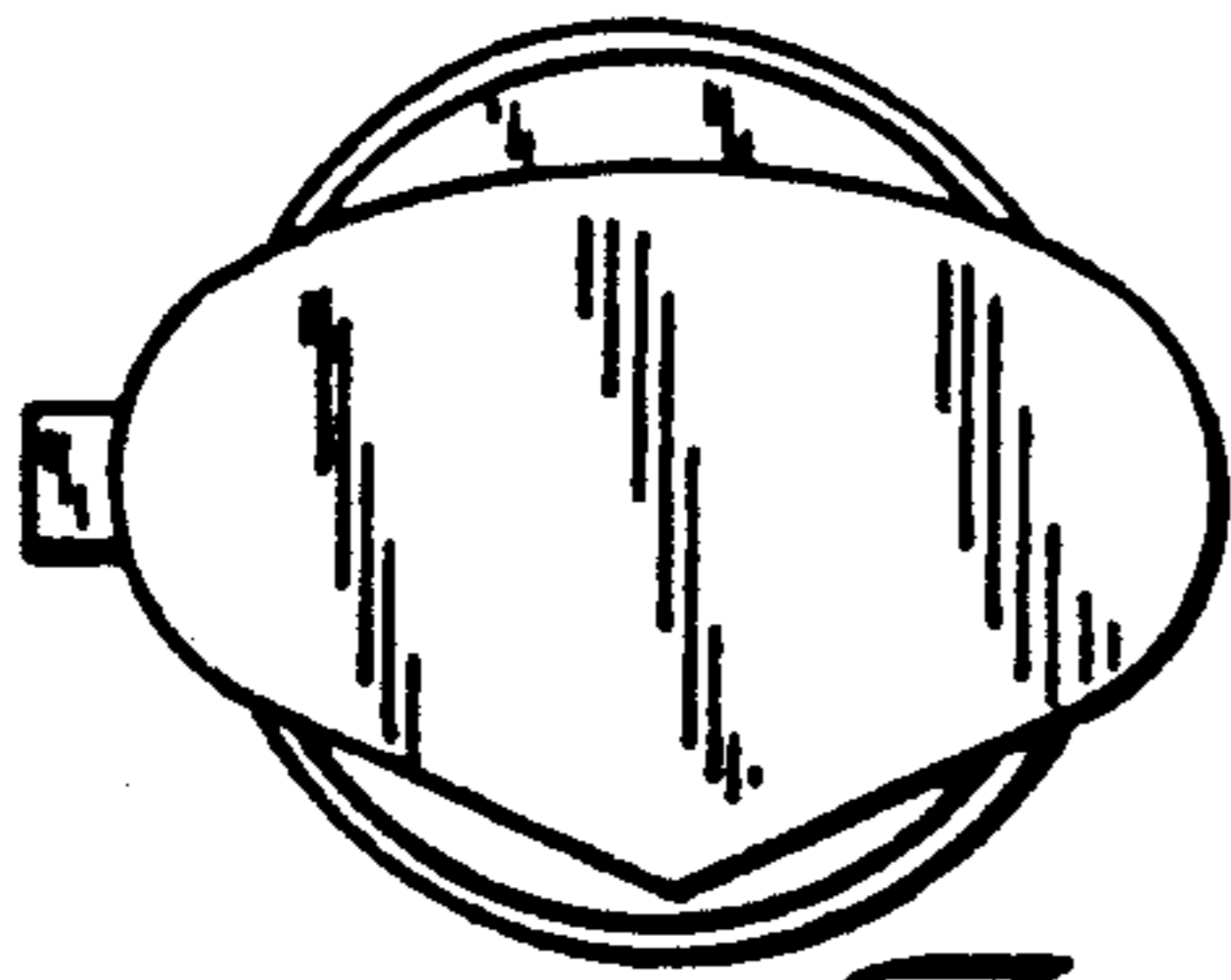
*Fig. 10*



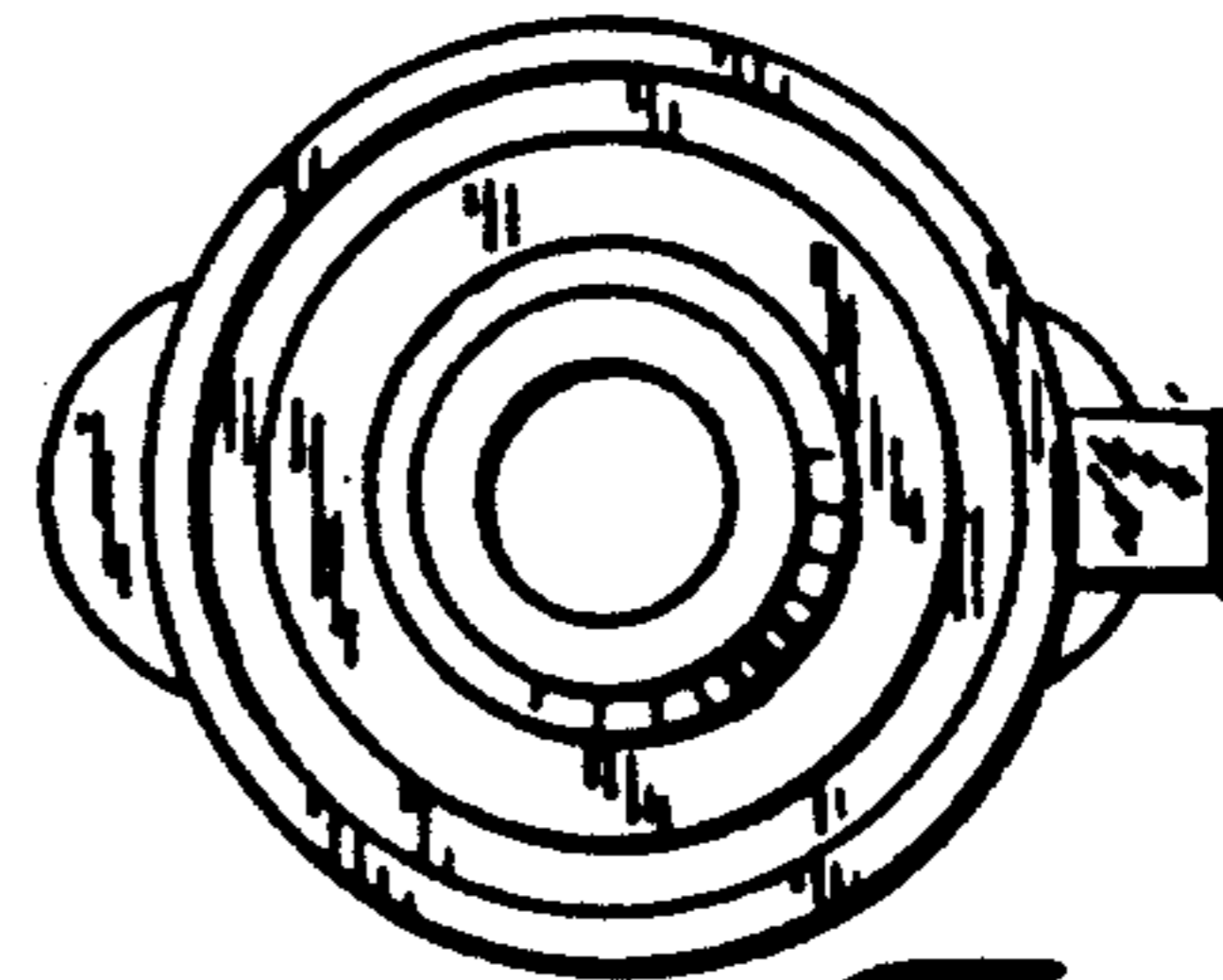
*Fig. 11*



*Fig. 12*



*Fig. 13*



*Fig. 14*