



US00D332217S

United States Patent [19]

Hayes

[11] Patent Number: Des. 332,217

[45] Date of Patent: ** Jan. 5, 1993

[54] CHAIN SHIPPING AND DISPENSING CONTAINER

[75] Inventor: Richard D. Hayes, Edwardsville, Ill.

[73] Assignee: Laclede Chain Manufacturing Company, St. Louis, Mo.

[**] Term: 14 Years

[21] Appl. No.: 669,319

[22] Filed: Mar. 14, 1991

[52] U.S. Cl. D9/424

[58] Field of Search D9/424, 423, 425, 418, D9/420, 432, 429, 414, 337; 206/348, 508, 62.5, 824, 503, 349, 585, 525, 389, 407, 408, 409, 511; 220/260, 315, 669, 675, 676; D34/40

4,550,828 11/1985 Baldwin et al. 206/349

FOREIGN PATENT DOCUMENTS

1307631 9/1962 France 206/511

OTHER PUBLICATIONS

Lewisystems, Jan. 1983, p. 11, container with cover.

Primary Examiner—Bernard Ansher
Assistant Examiner—Prabhakar Deshmukh
Attorney, Agent, or Firm—Kalish & Gilster

CLAIM

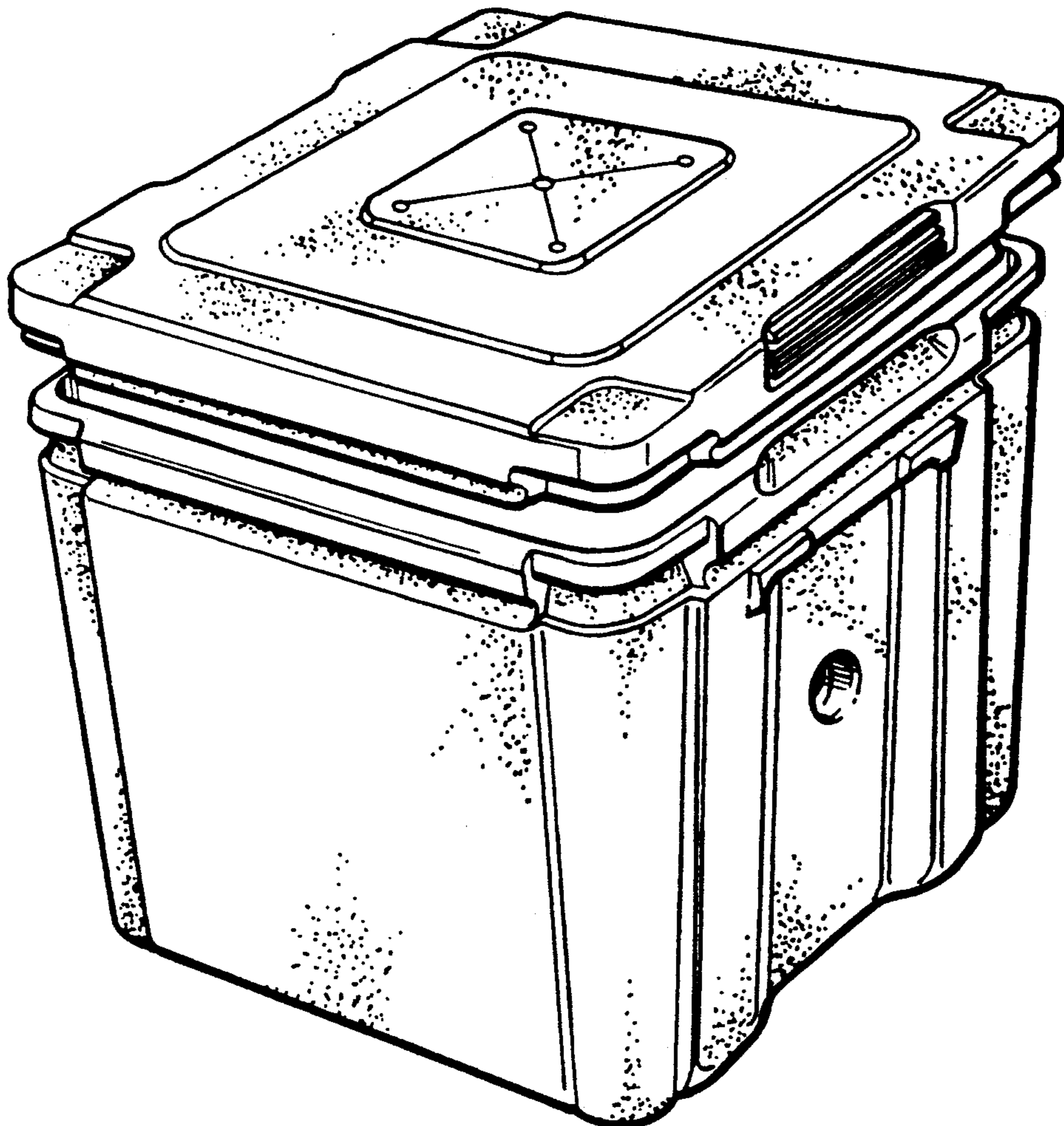
[57] The ornamental design for a chain shipping and dispensing container, as shown and described.

DESCRIPTION

FIG. 1 is an exploded perspective view of a chain shipping and dispensing container showing my new design; FIG. 2 is a bottom plan view thereof; FIG. 3 is an exploded perspective view of a second embodiment of FIG. 1; and, FIG. 4 is a bottom plan view of FIG. 3. The corresponding undisclosed views of first and second embodiments are identical to the views as shown in FIG. 1 and FIG. 3 respectively.

[56] References Cited
U.S. PATENT DOCUMENTS

D. 231,433	4/1974	Congleton	D9/423
D. 267,847	2/1983	Pielert	D9/418 X
819,678	5/1906	Simmons	206/63.5
1,431,352	10/1922	Abbott	206/409 X
1,951,543	3/1934	Bruns et al.	206/408
4,249,657	2/1981	Bates	206/248 X
4,483,095	11/1984	Webinger	206/525 X



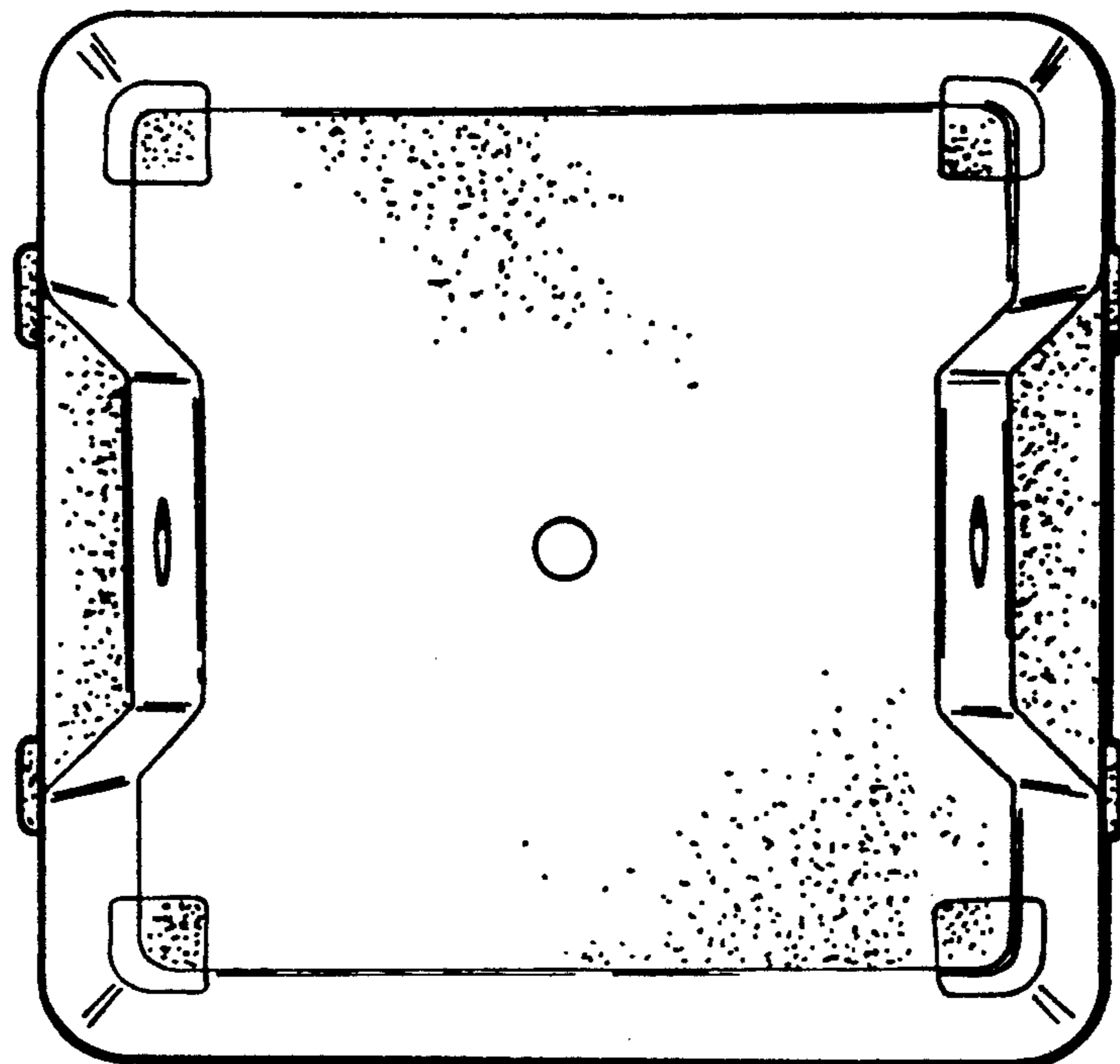
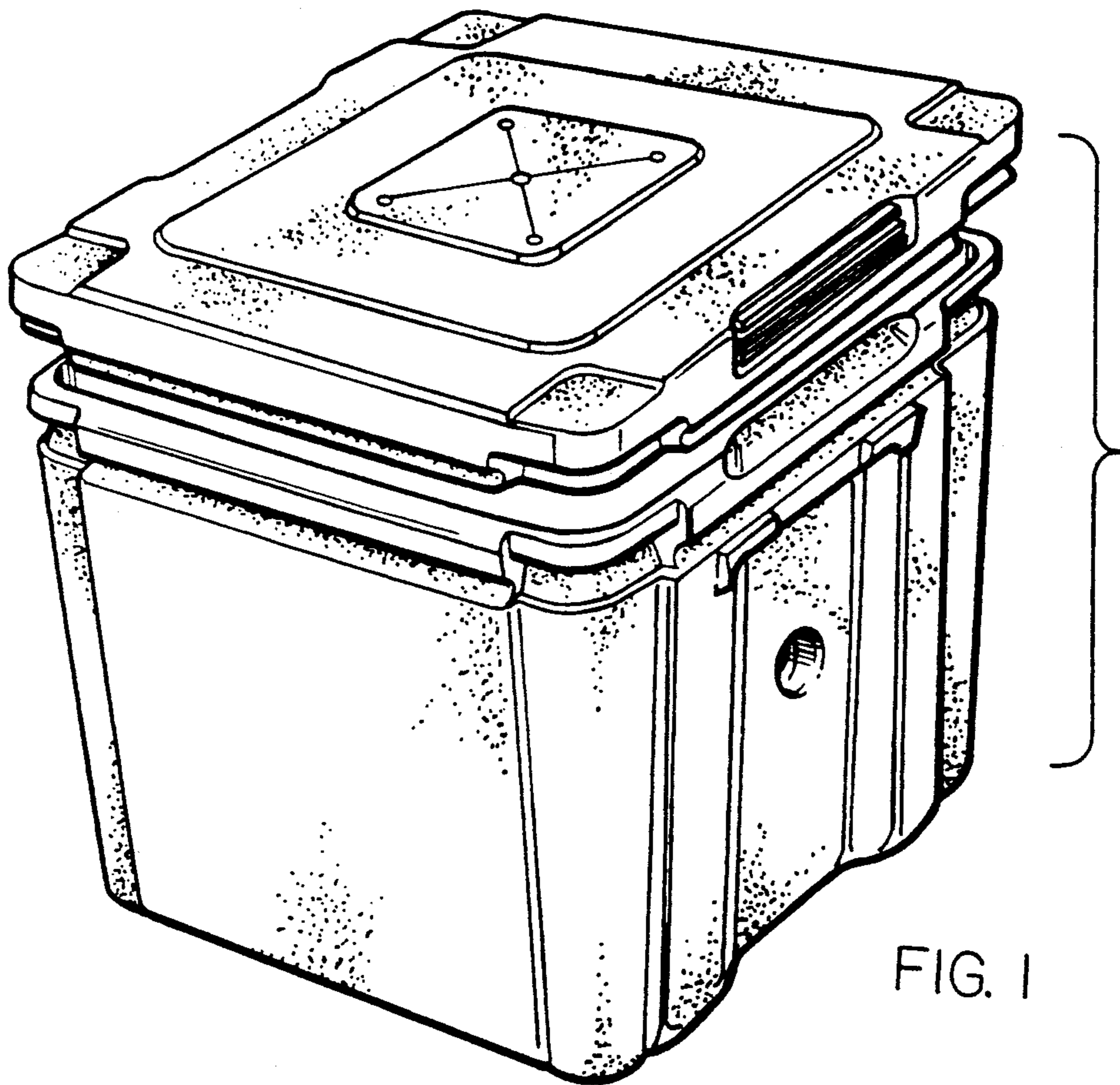


FIG. 2

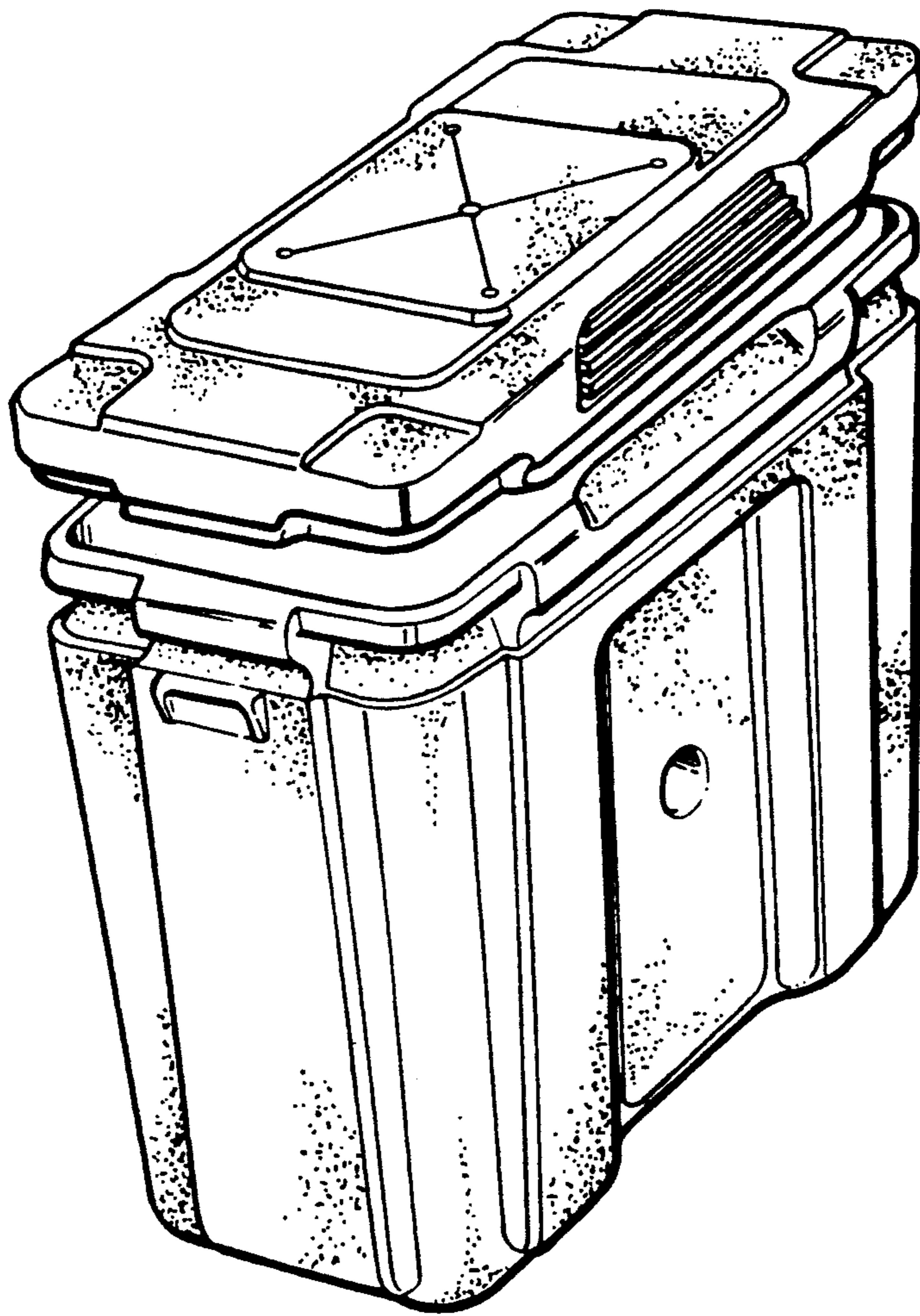


FIG. 3

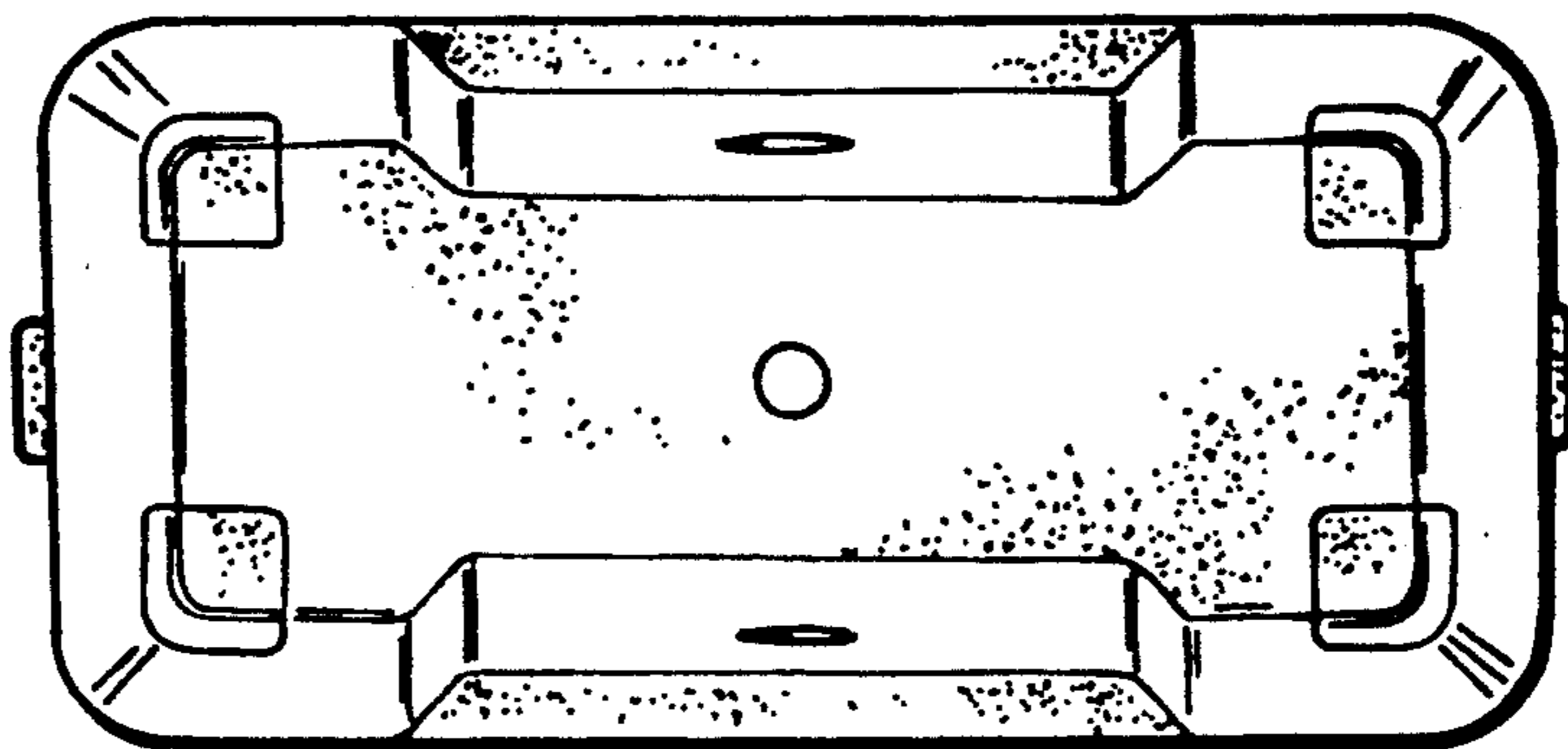


FIG. 4