



US00D332214S

United States Patent [19]

[11] Patent Number: **Des. 332,214**

Mulder et al.

[45] Date of Patent: **** Jan. 5, 1993**

[54] TOWEL DISPENSING CARTON

3,207,360 9/1965 Scott D9/414 X

[75] Inventors: **Dobren S. Mulder**, Gieten, Netherlands; **Jacques M. Kappeler**, Schöfflisdorf, Switzerland

Primary Examiner—Bernard Ansher
Assistant Examiner—C. Tuttle
Attorney, Agent, or Firm—Webb, Burden, Ziesenheim & Webb

[73] Assignee: **Paperfabrik Horgen AG**, Switzerland

[**] Term: **14 Years**

[57] **CLAIM**

[21] Appl. No.: **487,706**

The new and ornamental design in a towel dispensing carton therefor, as shown and described.

[22] Filed: **Mar. 2, 1990**

DESCRIPTION

[52] U.S. Cl. **D9/339; D6/522**

[58] Field of Search **D9/339, 414-416, D9/418, 431-433; D6/515, 518, 522; 221/305; 229/164; 220/490**

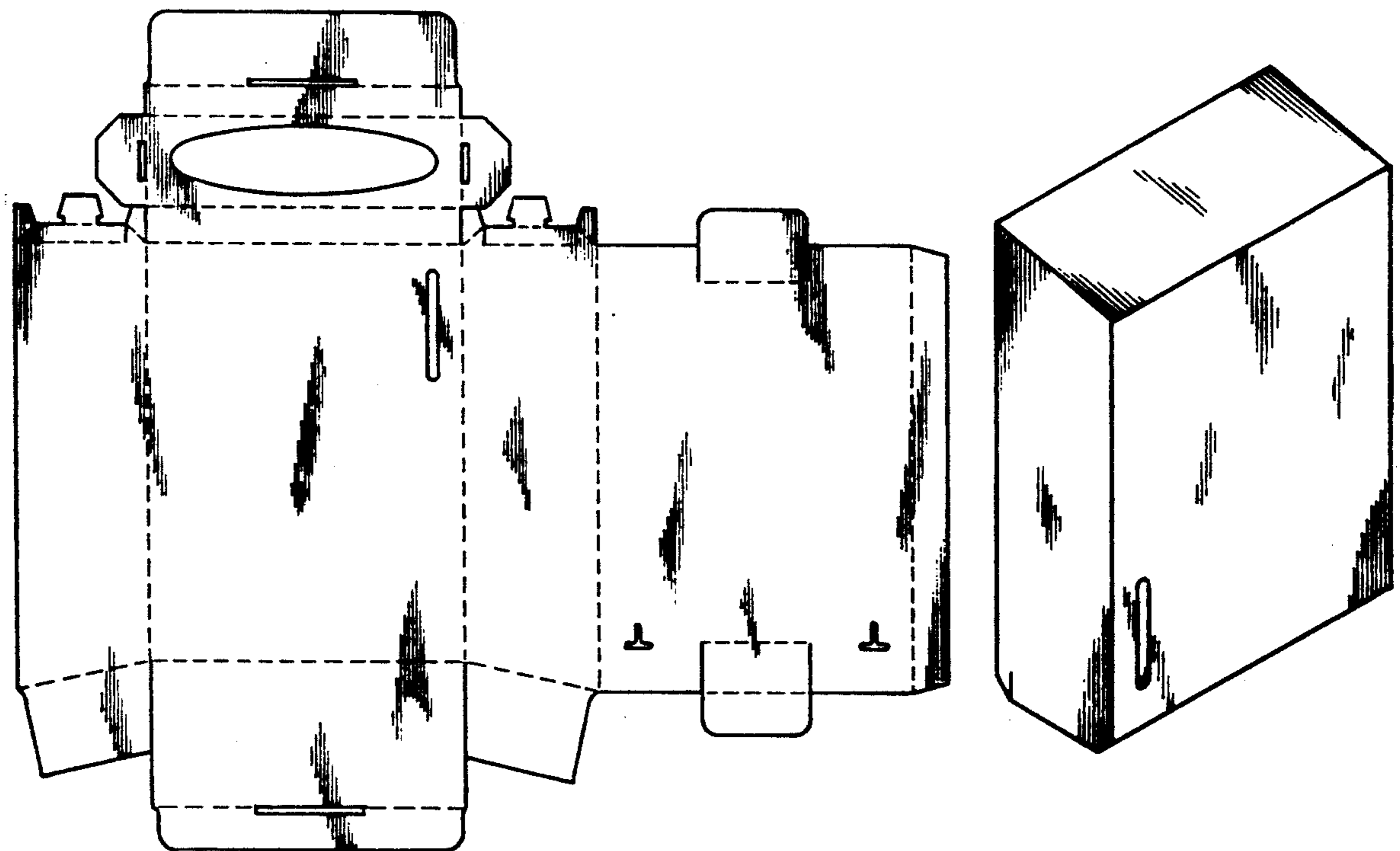
FIG. 1 is a plan view of a towel dispensing carton, in an unfolded condition, showing our new design;
FIG. 2 is a top plan view of the article in the assembled condition;
FIG. 3 is a rear elevational view thereof;
FIG. 4 is a bottom plan view thereof;
FIG. 5 is a left side elevational view thereof;
FIG. 6 is a right side elevational view thereof;
FIG. 7 is a first elevated view thereof; and,
FIG. 8 is an isometric view thereof.

[56] **References Cited**

U.S. PATENT DOCUMENTS

166,480	8/1875	Robertson	221/305
D. 191,177	8/1961	Jones	D6/522
D. 277,169	1/1985	Ito et al.	D9/418
D. 297,774	9/1988	Sussman	D9/339 X
D. 316,788	5/1991	Fischer et al.	D6/522
1,217,682	2/1917	Baldwin	D6/518 X
2,701,089	2/1955	Fischer	229/164 X

The dashed lines in FIG. 1 represent fold lines and the solid lines, except on the margin of the blank, represent cut lines in the blank.



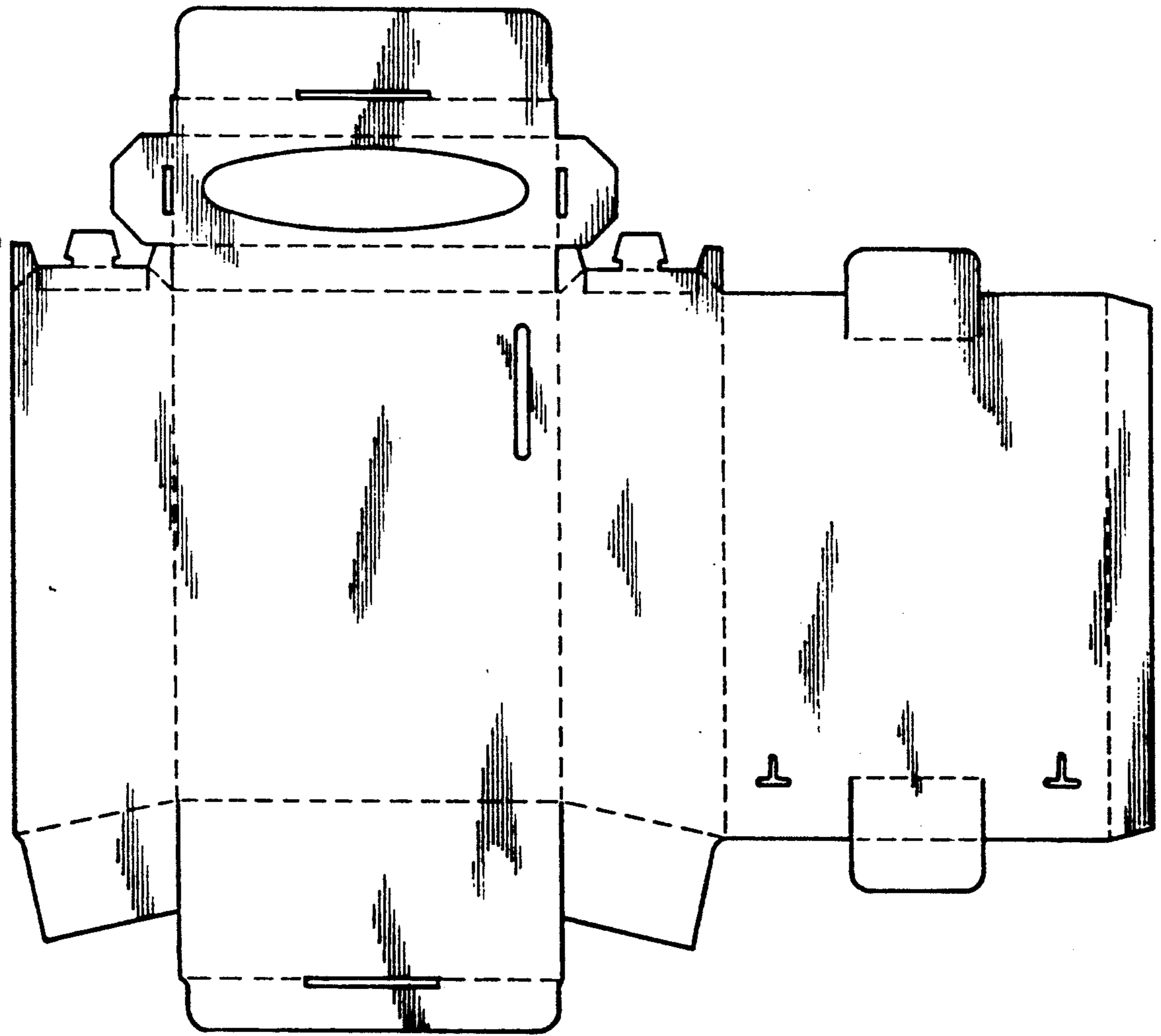


FIG. 1

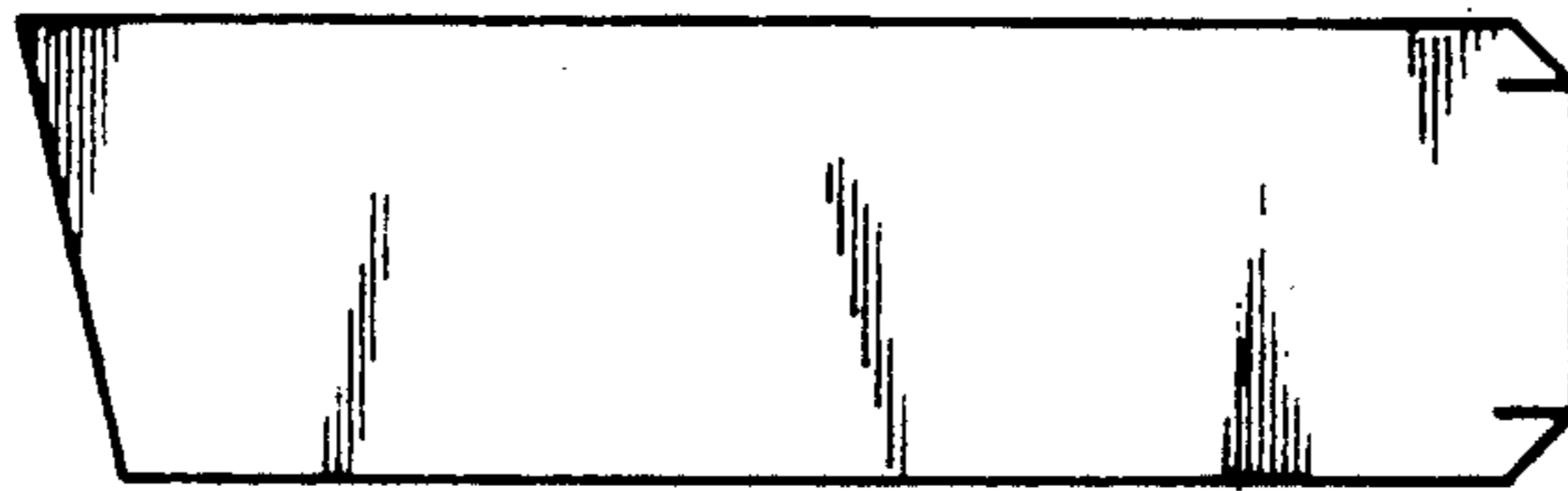


FIG. 5



FIG. 2

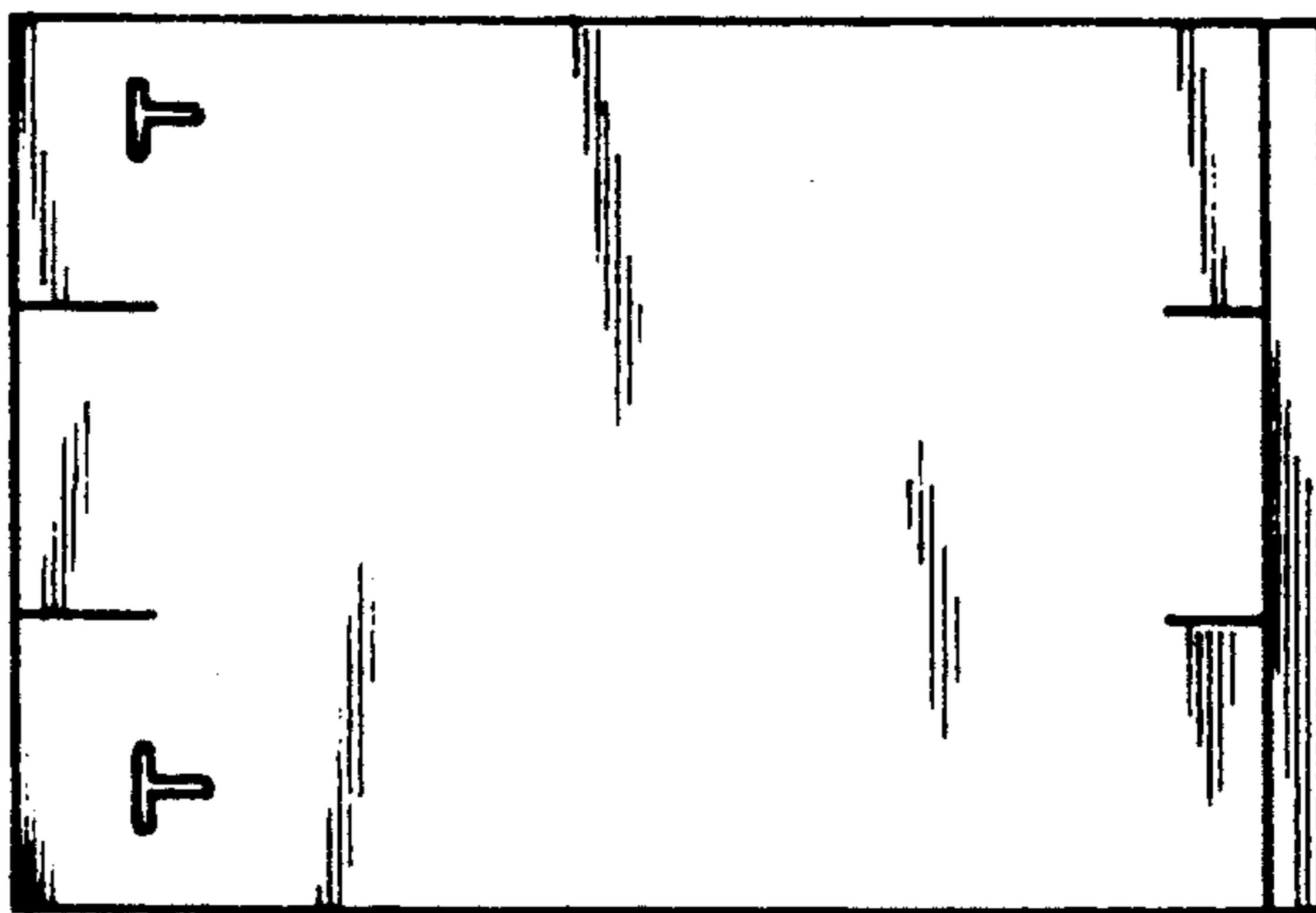


FIG. 3

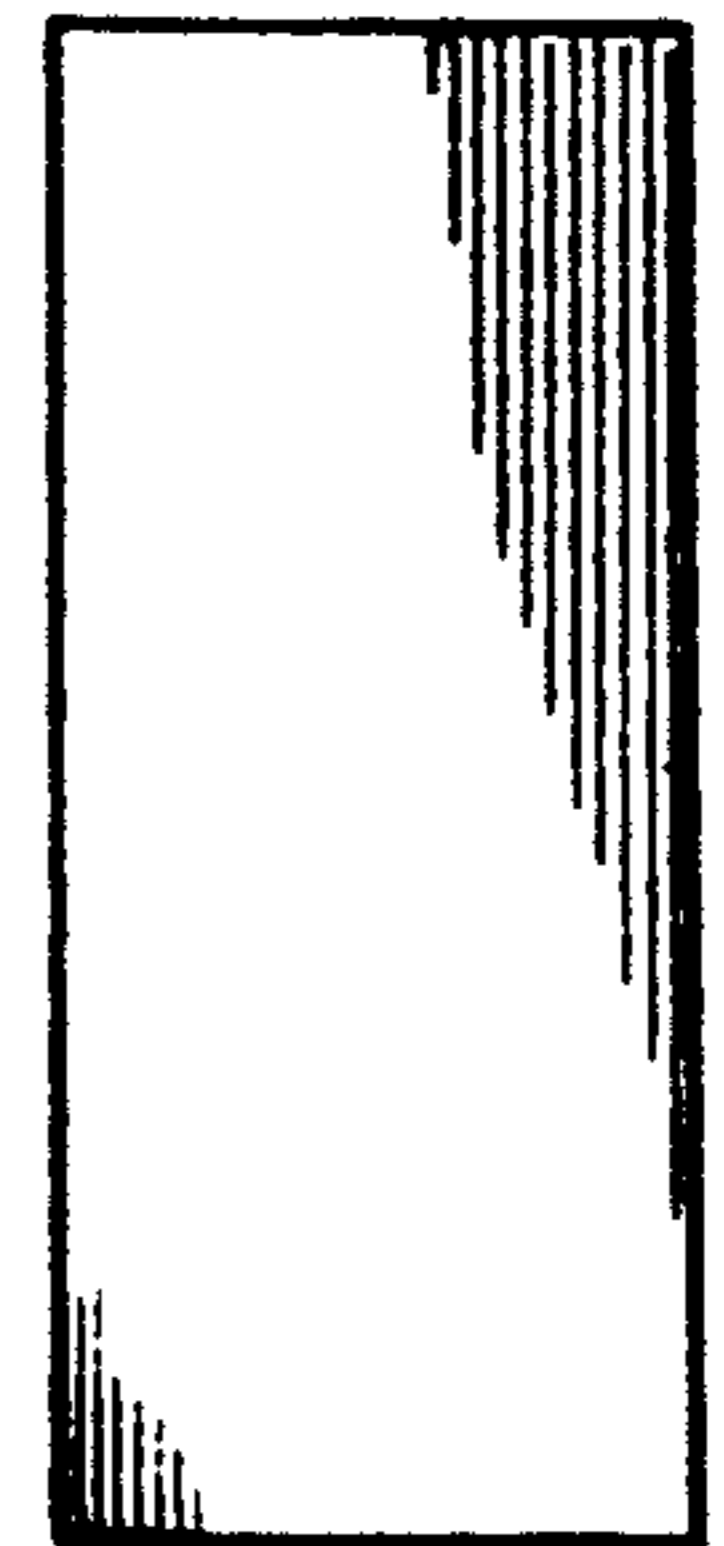


FIG. 4

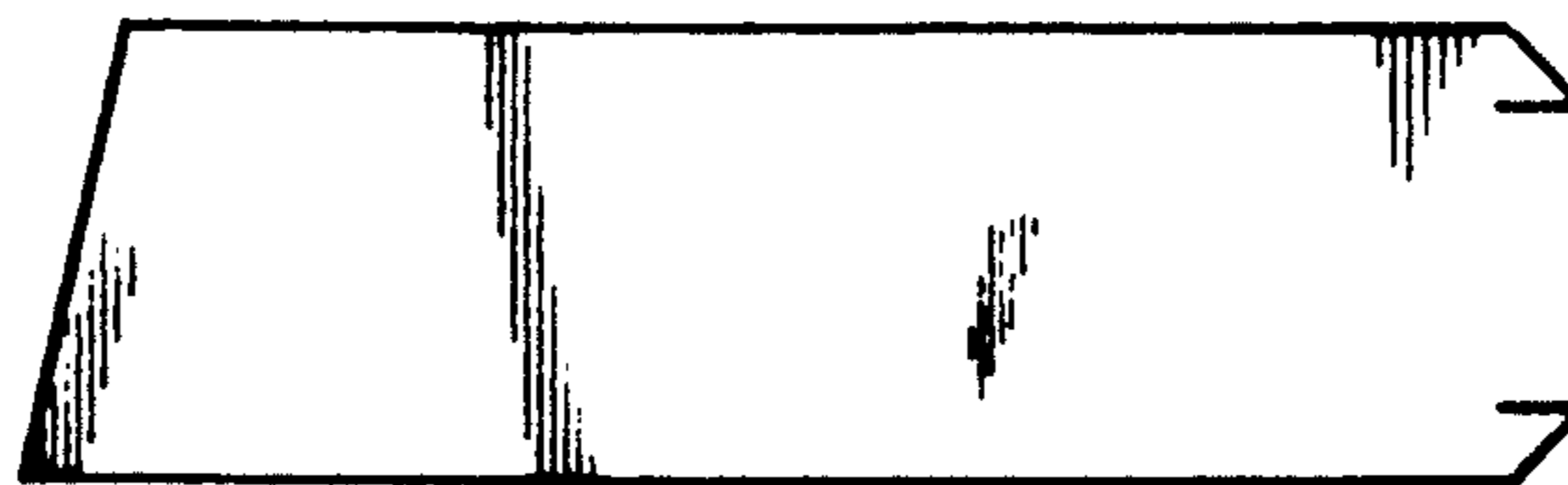


FIG. 6

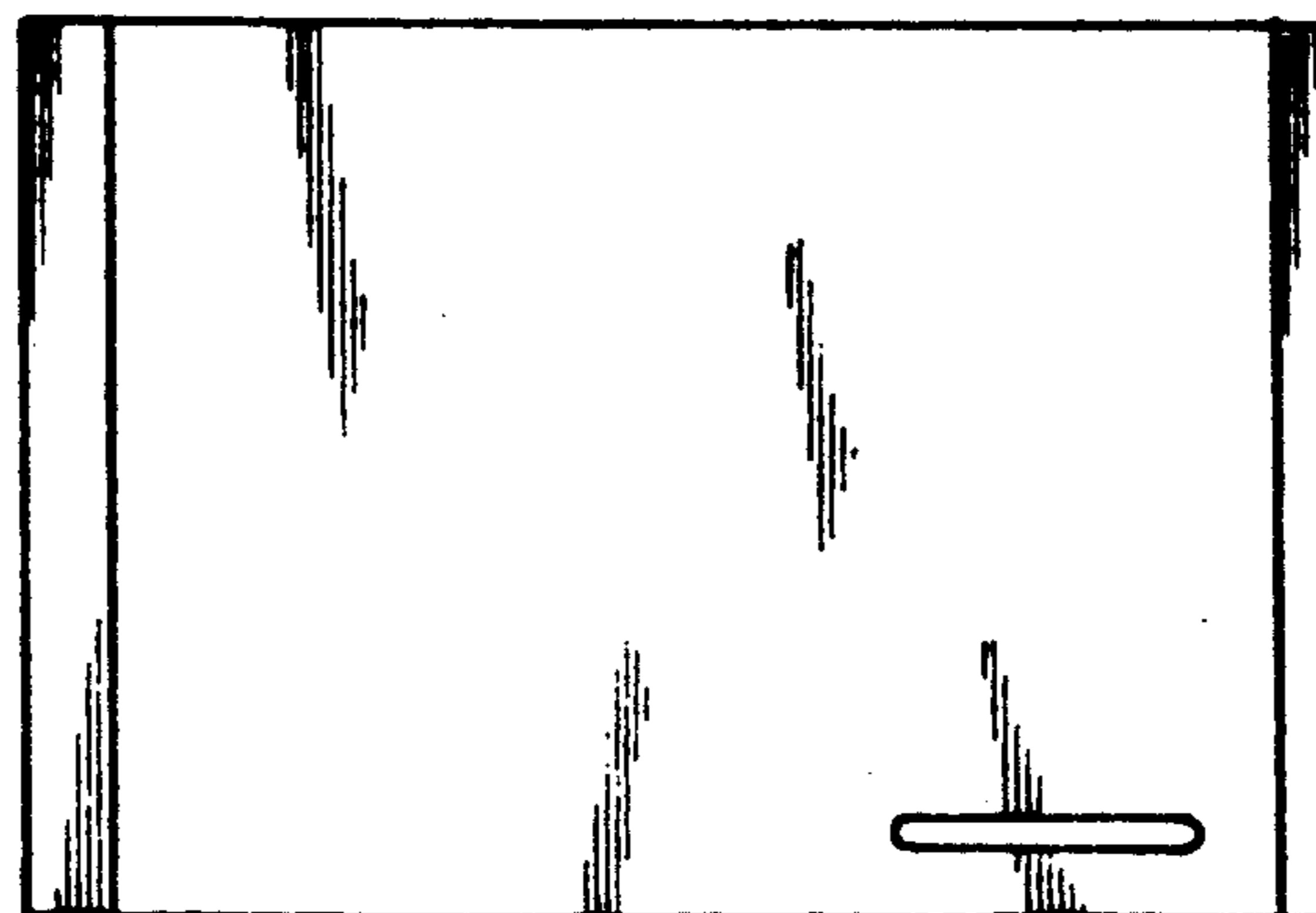


FIG. 7

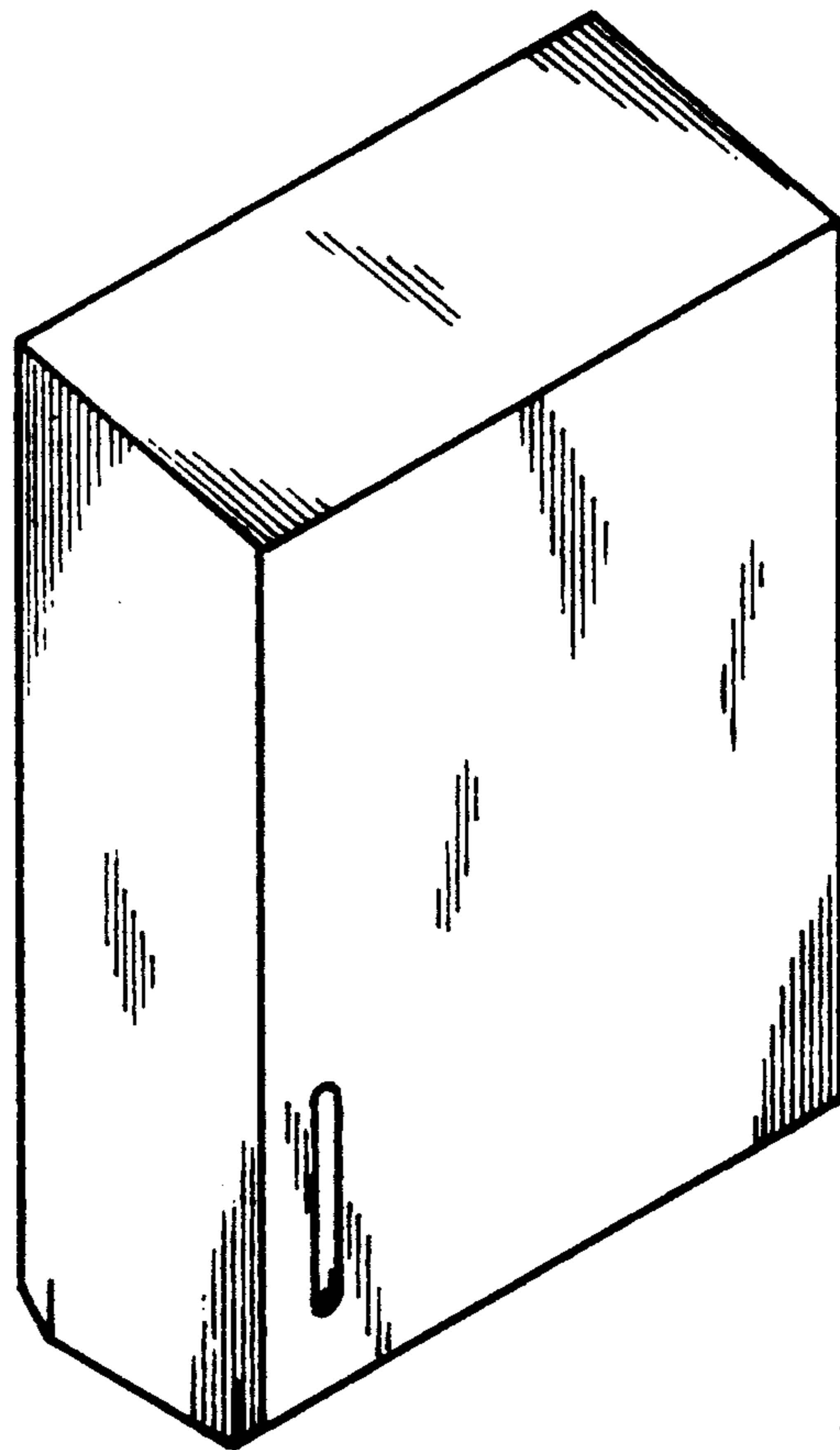


FIG. 8

UNITED STATES PATENT AND TRADEMARK OFFICE
CERTIFICATE OF CORRECTION

PATENT NO. : Des. 332,214

DATED : January 5, 1993

INVENTOR(S) : Dobren S. Mulder and Jacques M. Kappeler

It is certified that error appears in the above-identified patent and that said Letters Patent is hereby corrected as shown below:

On the title page

After [54], in the title, "DISPENING" should read --DISPENSING--.

In the description of Fig. 7 "first" should read --front--.

Signed and Sealed this
Twenty-sixth Day of October, 1993

Attest:



BRUCE LEHMAN

Attesting Officer

Commissioner of Patents and Trademarks