



US00D332212S

# United States Patent [19]

[11] Patent Number: Des. 332,212

Mitchell et al.

[45] Date of Patent: \*\* Jan. 5, 1993

[54] BRACKET ASSEMBLY FOR MOUNTING A PLANTER BOX ON A RAIL OR THE LIKE

4,391,397 7/1983 Taylor, Jr. .... D8/367 X  
4,942,989 7/1990 Miller ..... D8/367 X  
4,949,924 8/1990 Carmody ..... 248/215

[76] Inventors: Deryl K. Mitchell; Jeannine C. Mitchell, both of 3857 25th Ave. W., Seattle, Wash. 98199

### OTHER PUBLICATIONS

Rail-Rider Order Form.

[\*\*] Term: 14 Years

Primary Examiner—Horace B. Fay, Jr.  
Attorney, Agent, or Firm—Christensen, O'Connor, Johnson & Kindness

[21] Appl. No.: 536,255

[22] Filed: Jun. 11, 1990

[52] U.S. Cl. .... D8/380

[58] Field of Search ..... 248/215; D6/553, 556; D8/367, 380; 52/739; D12/187

### [57] CLAIM

The ornamental design for a bracket assembly for mounting a planter box on a rail or the like, as shown and described.

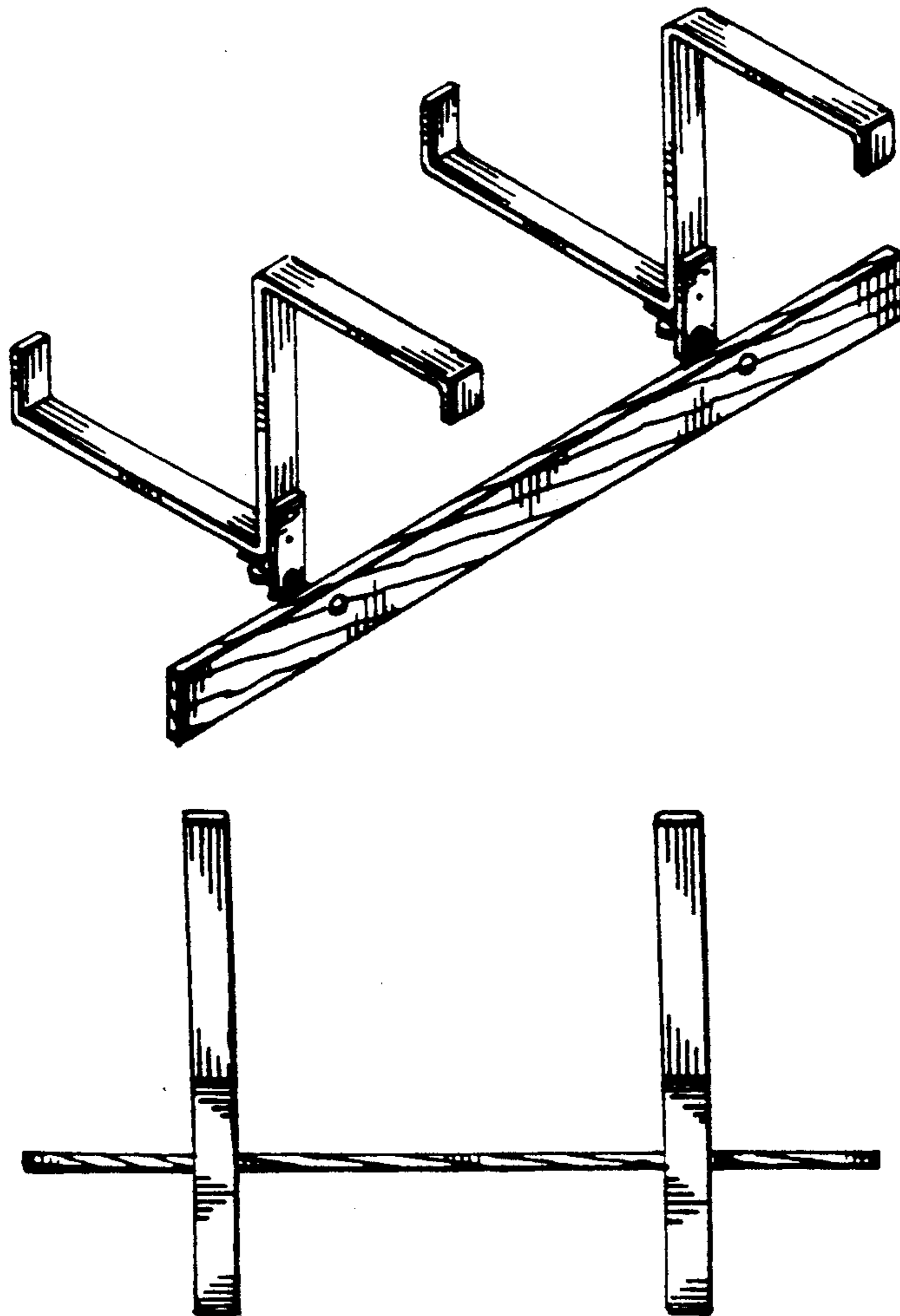
### [56] References Cited

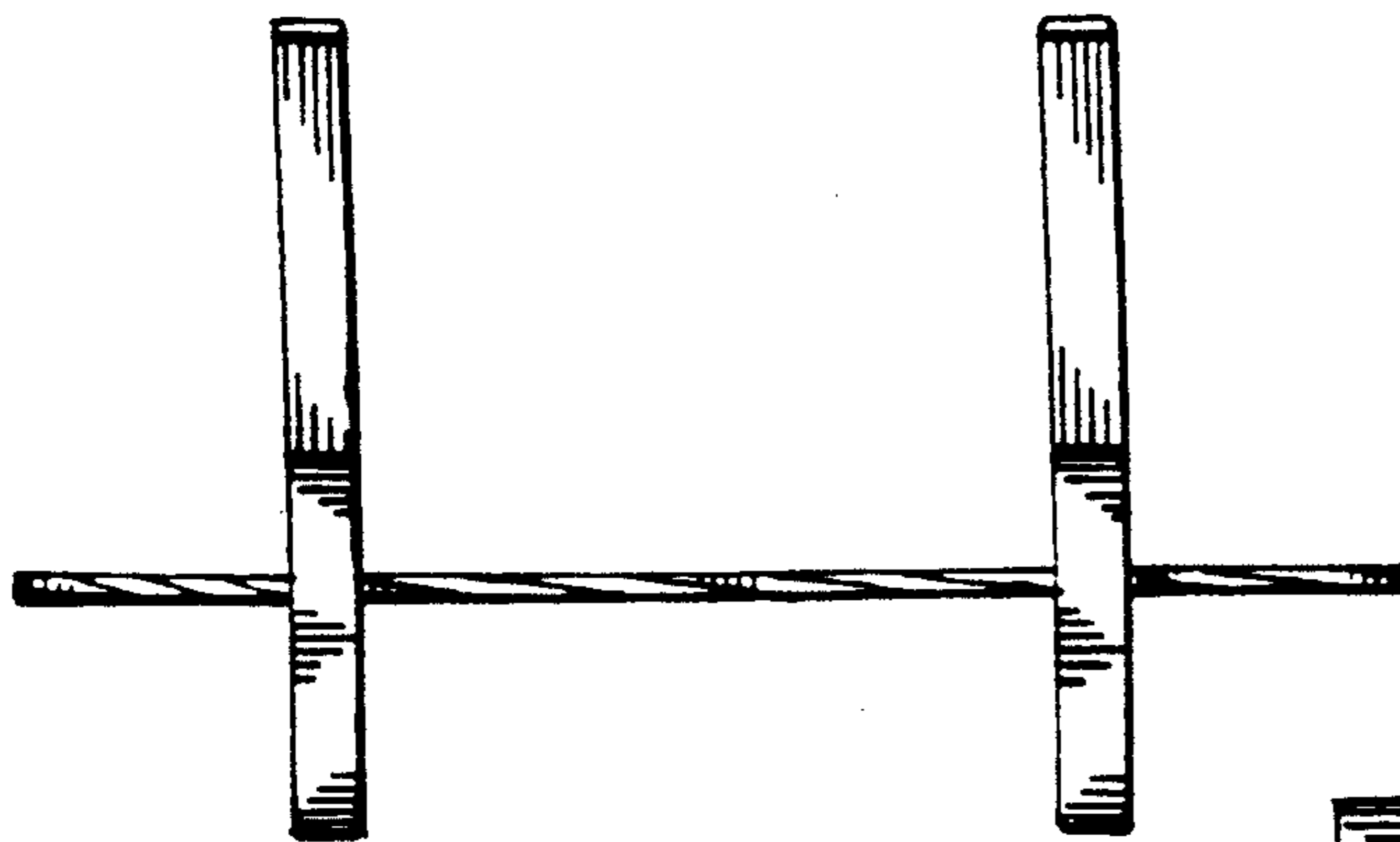
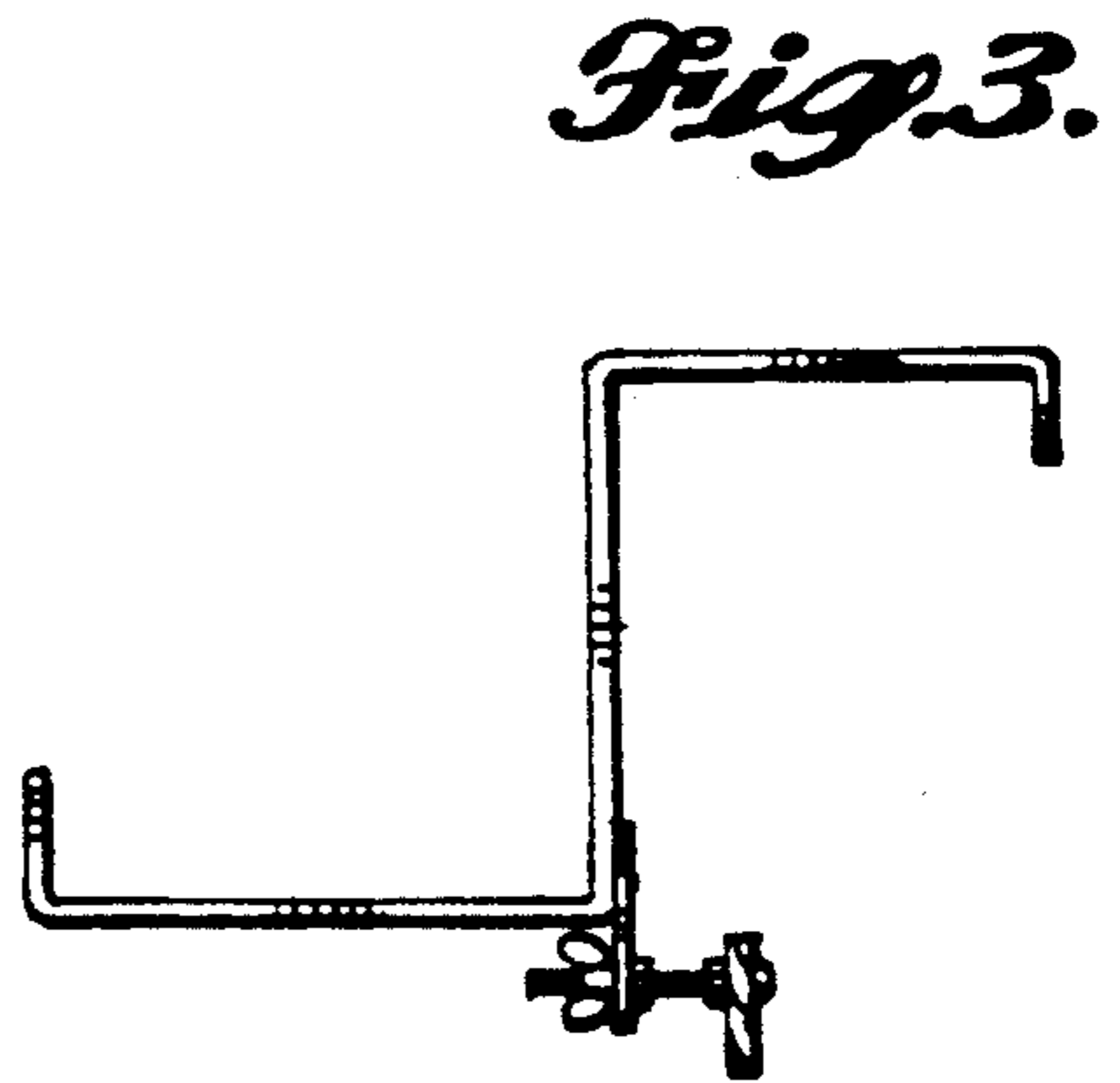
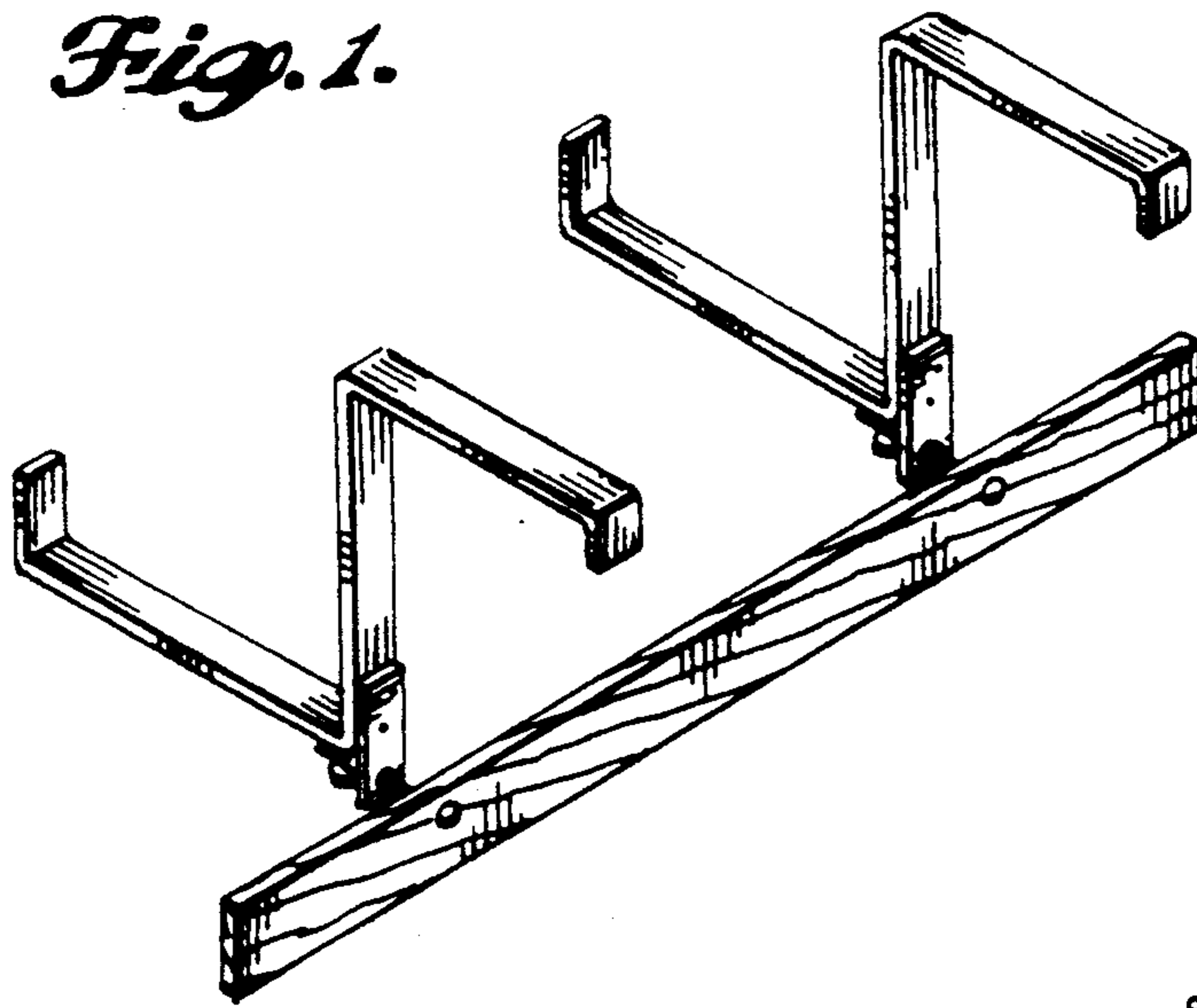
#### U.S. PATENT DOCUMENTS

D. 282,801	3/1986	Goins	.....	D6/553
D. 285,410	9/1986	Webber	.....	D8/380 X
D. 299,088	12/1988	Monza	.....	D6/556
D. 310,018	8/1990	Landrum	.....	D8/367
D. 310,459	9/1990	Gipe	.....	D6/556
D. 317,742	6/1991	Miller	.....	D12/187
2,488,326	11/1949	Pratt	.....	D6/553
3,308,487	3/1967	Birgbauer, Jr.	.....	52/739 X

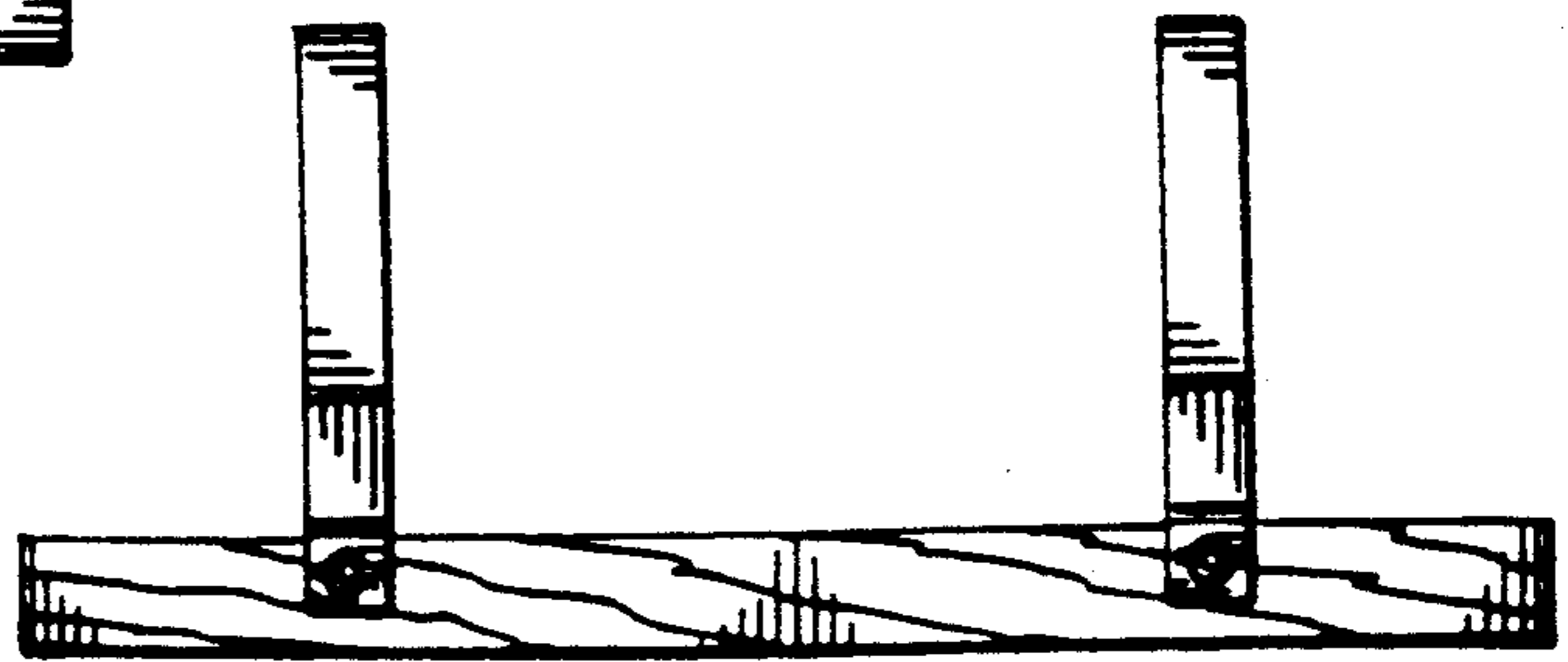
### DESCRIPTION

FIG. 1 is a top rear perspective view of a bracket assembly for mounting a planter on a rail or the like showing our new design;  
FIG. 2 is a front elevational view thereof;  
FIG. 3 is an elevational view taken from the right with a rail, and a planter box;  
FIG. 4 is a top plan view thereof; and,  
FIG. 5 is a bottom plan view thereof.

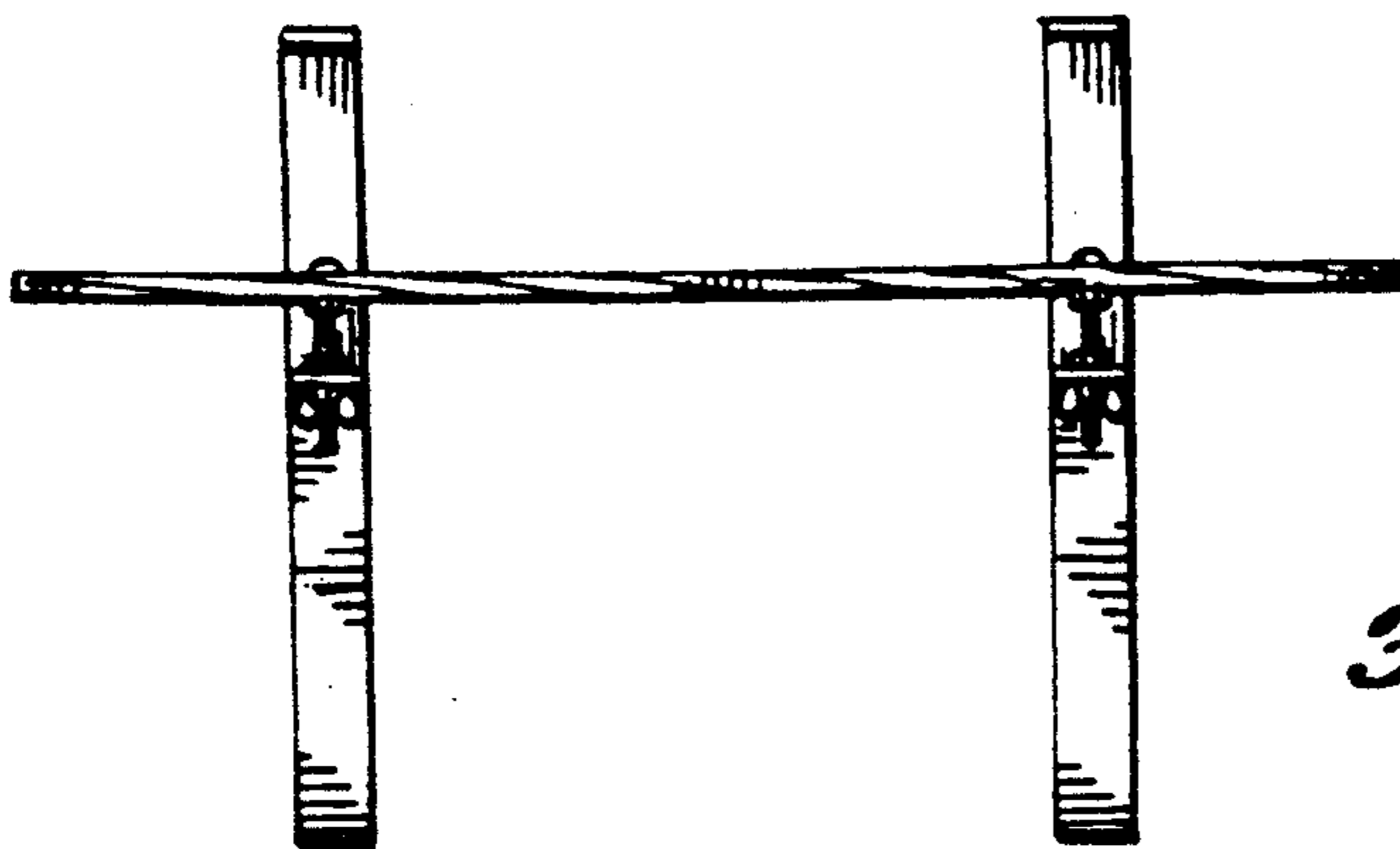




*Fig. 4.*



*Fig. 2.*



*Fig. 5.*