



US00D332210S

United States Patent [19] Linden

[11] Patent Number: **Des. 332,210**

[45] Date of Patent: **** Jan. 5, 1993**

[54] **SHARPENER FOR SCISSORS**
[75] Inventor: **Olavi Linden, Björkkulla, Finland**
[73] Assignee: **Fiskars Oy Ab, Helsinki, Finland**
[**] Term: **14 Years**
[21] Appl. No.: **505,648**
[22] Filed: **Apr. 5, 1990**

D. 280,286 8/1985 Van Asten D8/93
D. 284,736 7/1986 Kawai et al. D8/93
D. 288,657 3/1987 Linden D8/93
D. 303,209 9/1989 Friel D8/93
D. 309,415 7/1990 Shimizu D8/93
D. 310,620 9/1990 Friel D8/93

Primary Examiner—Bernard Ansher
Assistant Examiner—Philip Hyder
Attorney, Agent, or Firm—Foley & Lardner

[30] **Foreign Application Priority Data**

Oct. 13, 1989 [FI] Finland 904/89
[52] U.S. Cl. **D8/93**
[58] Field of Search D8/91, 92, 93; 51/158,
51/204, 211 R, 211 H, 205 WG, 221 BS; 76/82,
82.1, 82.2, 83, 88

[57] **CLAIM**

The ornamental design for a sharpener for scissors, as shown and described.

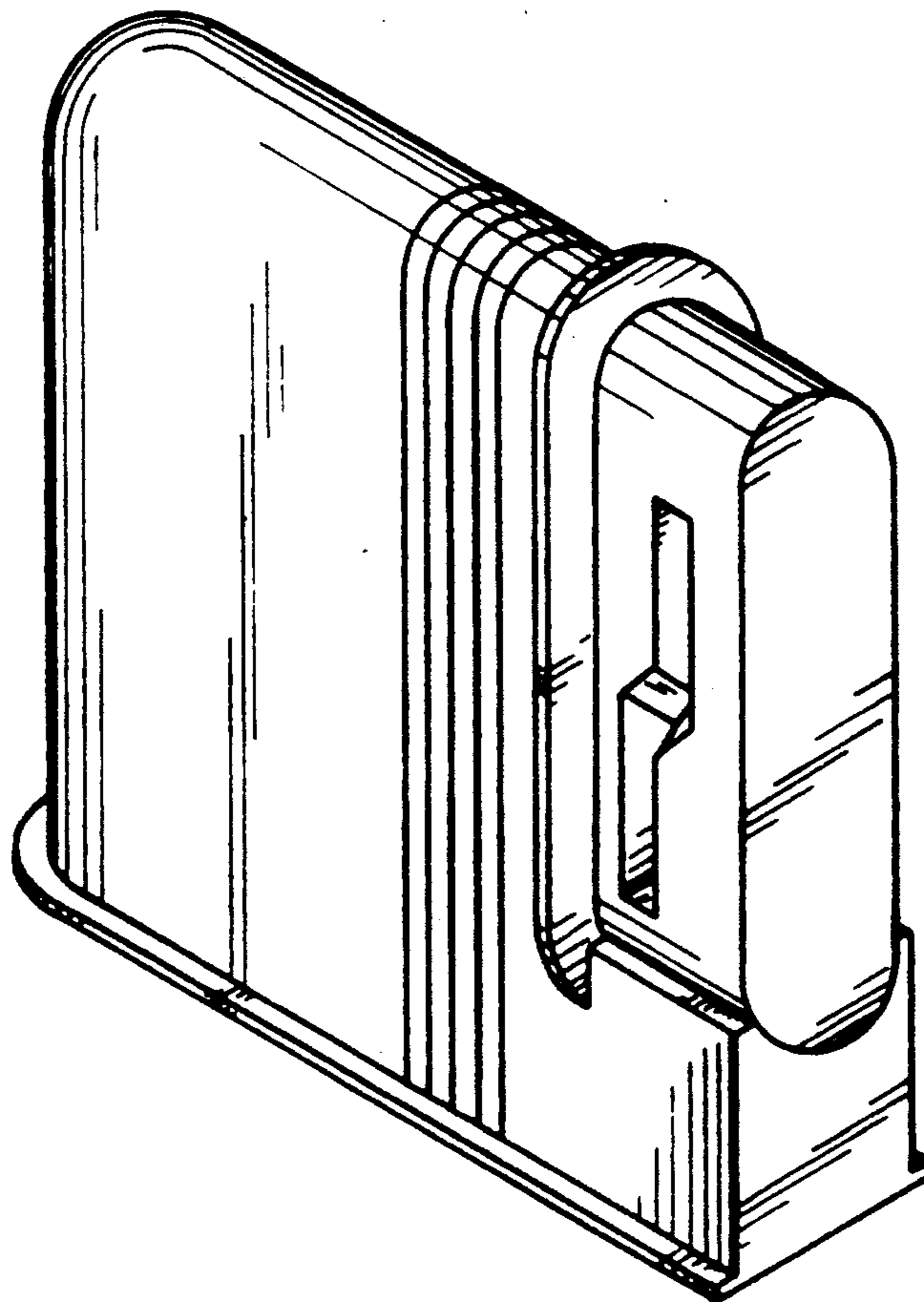
DESCRIPTION

FIG. 1 is a perspective view of a sharpener for scissors, showing my new design;
FIG. 2 is a front elevational view thereof;
FIG. 3 is a right side elevational view thereof;
FIG. 4 is a top plan view thereof;
FIG. 5 is a rear elevational view thereof;
FIG. 6 is a bottom plan view thereof; and,
FIG. 7 is a left elevational view of FIG. 2.

[56] **References Cited**

U.S. PATENT DOCUMENTS

D. 184,423 2/1959 Curley, Sr. D8/93
D. 264,176 5/1982 Linden D8/93
D. 269,940 8/1983 Hirose D8/93



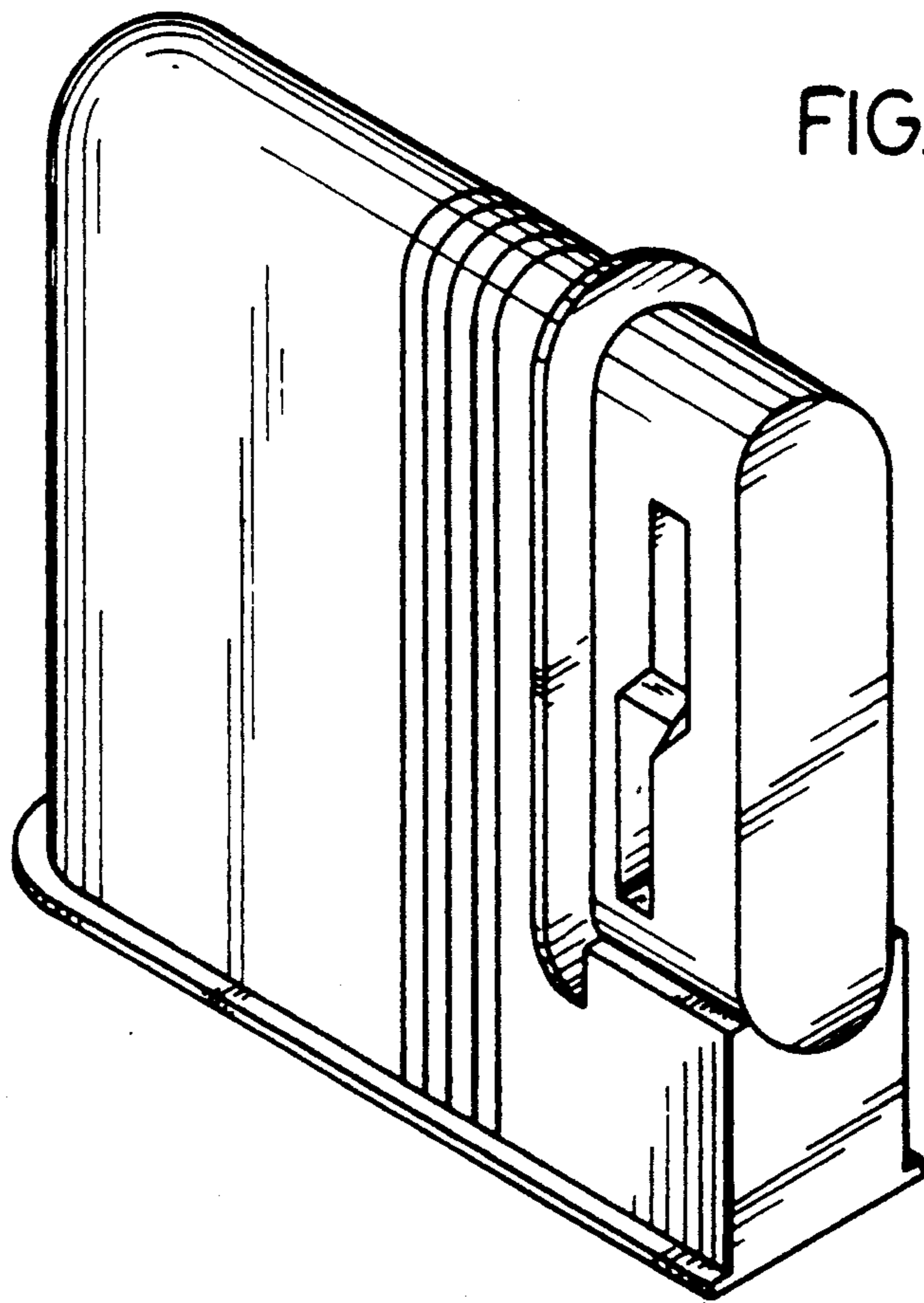


FIG. 1

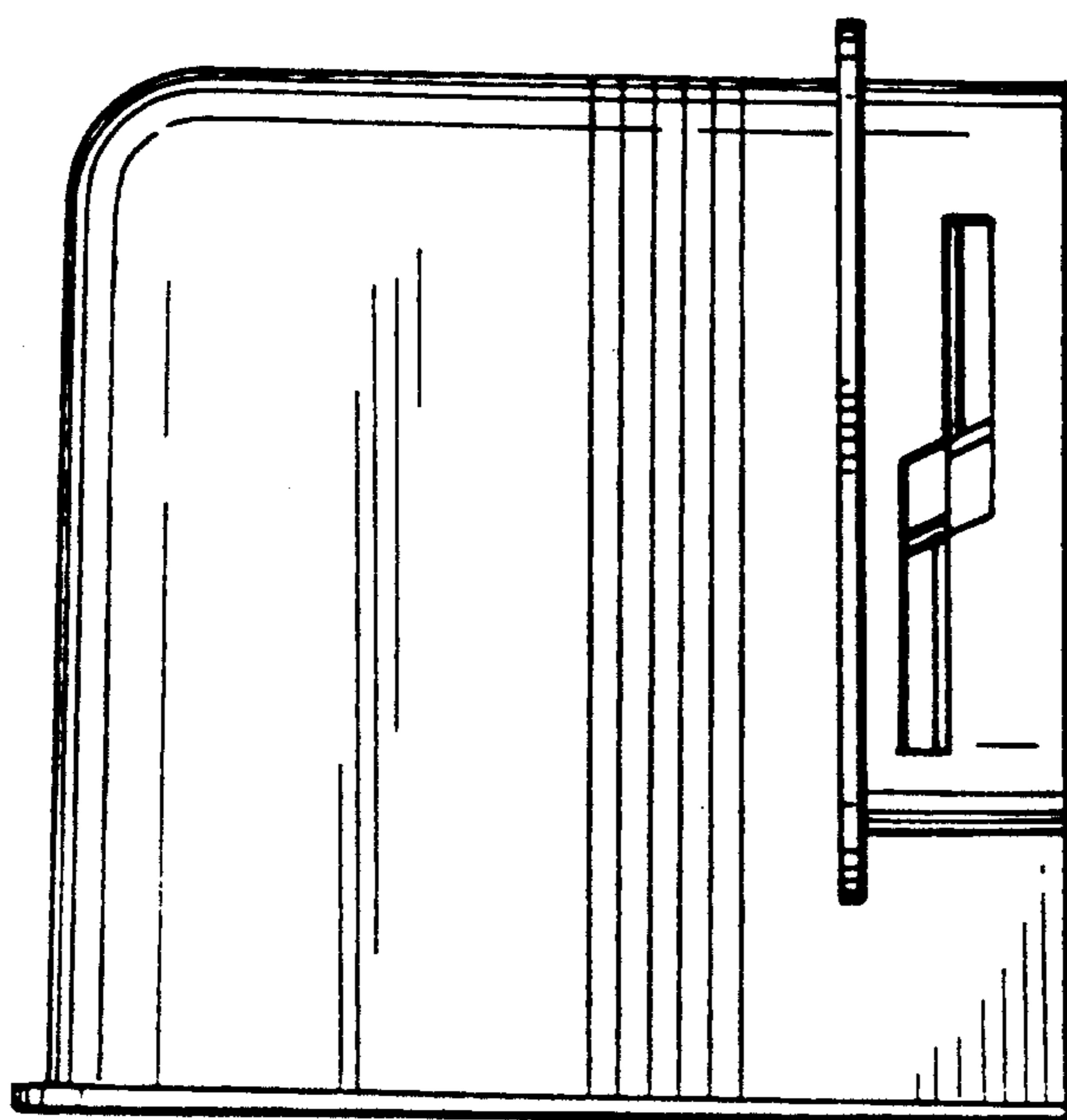


FIG. 2

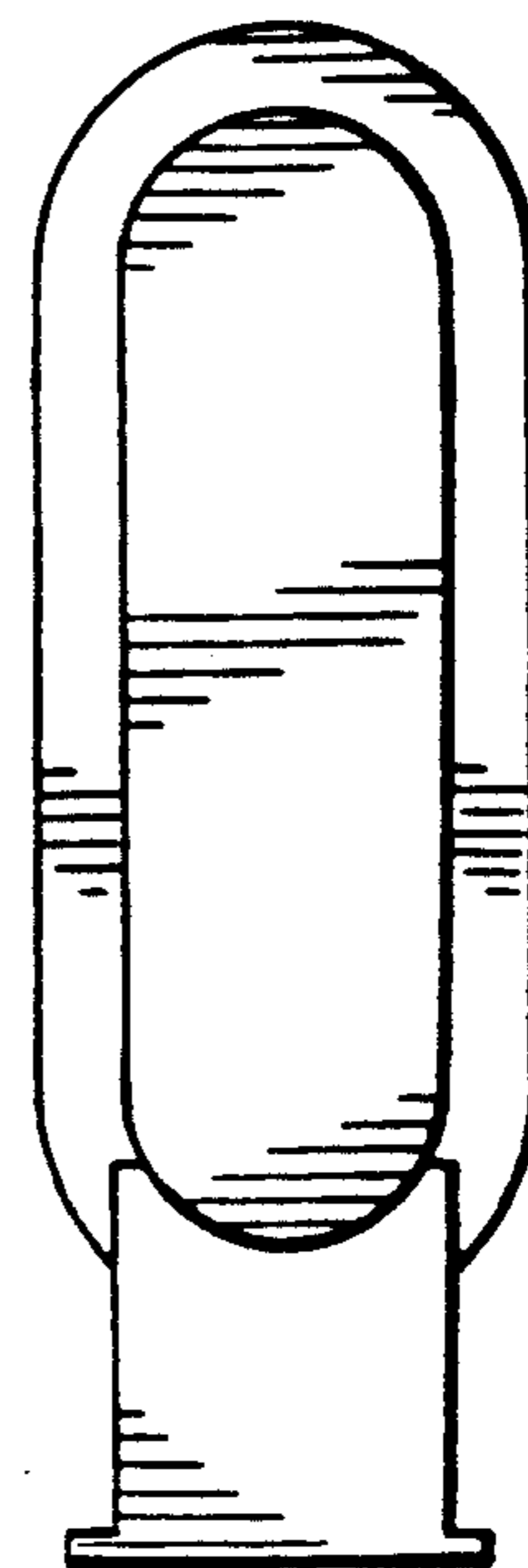


FIG. 3

FIG. 4

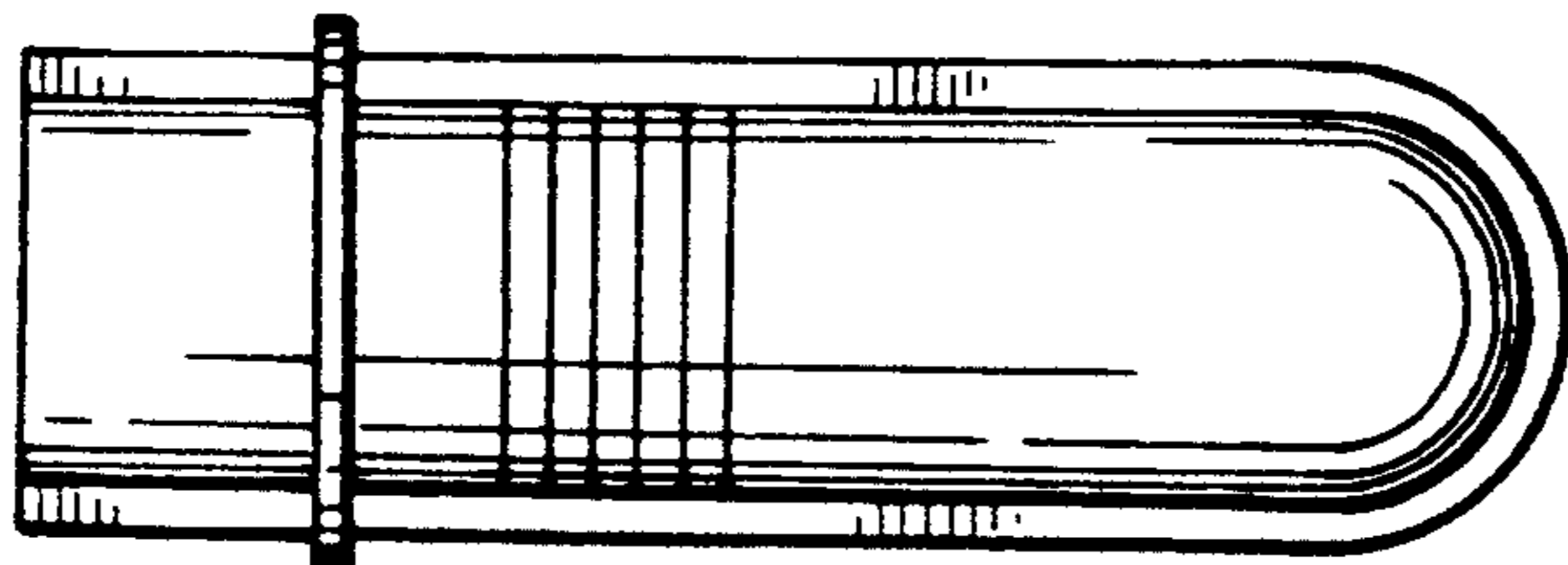


FIG. 5

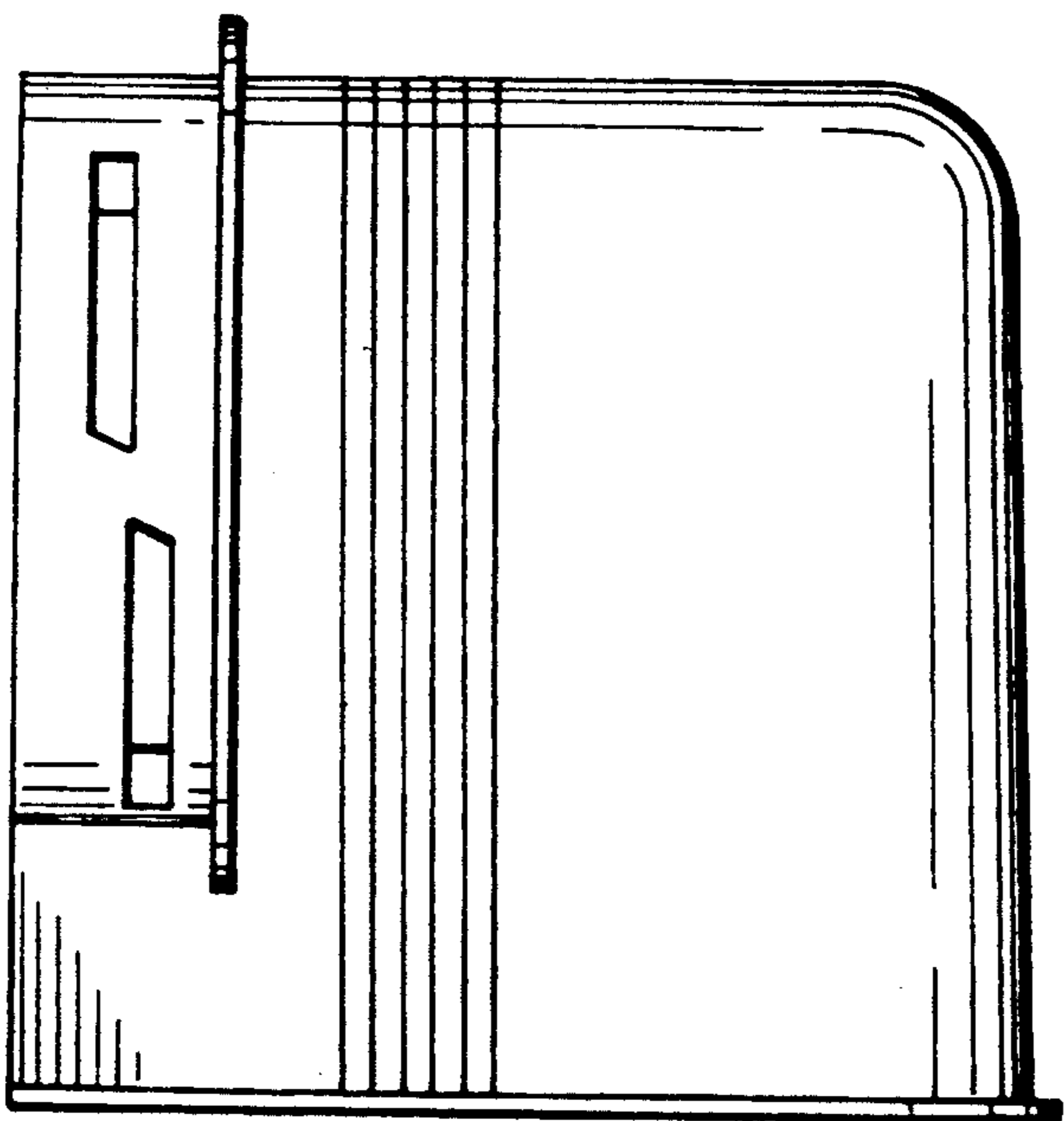


FIG. 7

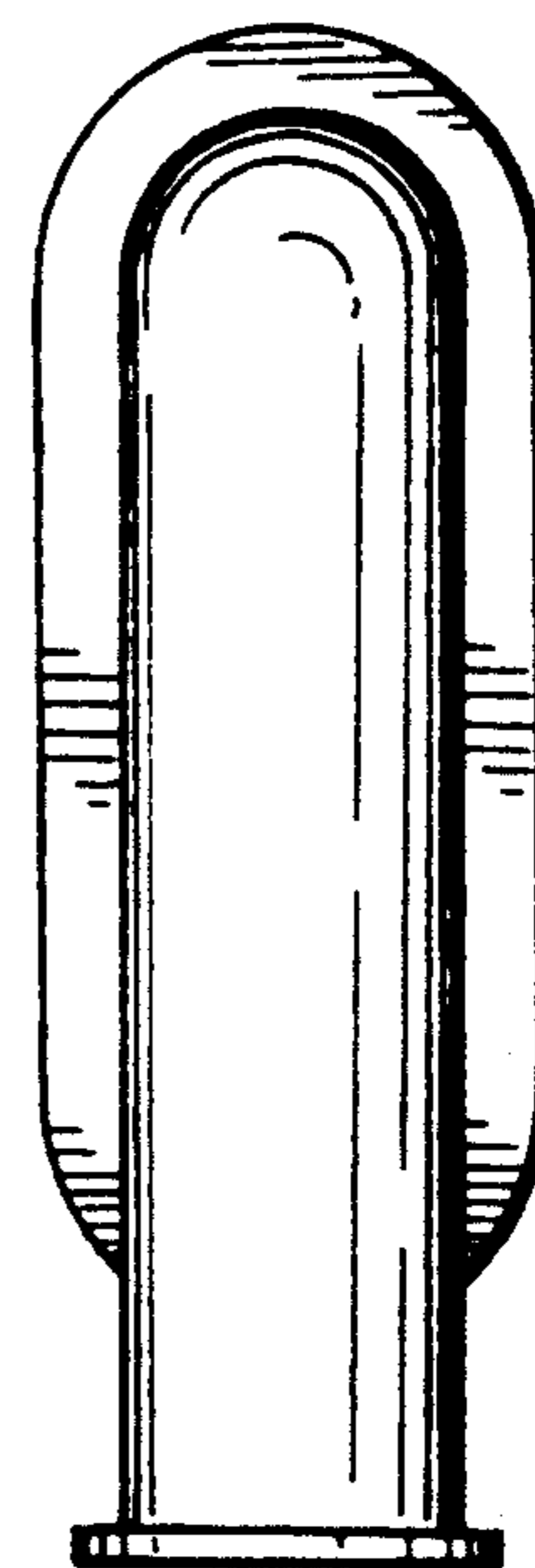


FIG. 6

