



US00D332208S

# United States Patent [19]

Sakamoto et al.

[11] Patent Number: **Des. 332,208**

[45] Date of Patent: **\*\* Jan. 5, 1993**

[54] **PORTABLE ELECTRIC DRIVER DRILL**  
[75] Inventors: **Masakazu Sakamoto; Naoki Kikuchi,**  
both of Tokyo, Japan

[73] Assignee: **Ryobi Ltd., Hiroshima, Japan**

[\*\*] Term: **14 Years**

[21] Appl. No.: **606,989**

[22] Filed: **Oct. 30, 1990**

[30] **Foreign Application Priority Data**

May 25, 1990 [JP] Japan ..... 2-17667  
[52] U.S. Cl. .... **D8/68**  
[58] Field of Search ..... D8/61, 68; 81/57.11,  
81/57.13; 173/170, 90-93.7, 48; 408/124, 125,  
127

[56] **References Cited**

**U.S. PATENT DOCUMENTS**

D. 300,502 4/1989 Schultz ..... D8/68  
D. 300,503 4/1989 Schultz ..... D8/68  
D. 300,717 4/1989 Hasegawa et al. .... D8/68

D. 303,347 9/1989 Somers ..... D8/68  
D. 314,698 2/1991 Zurwelle ..... D8/68  
D. 315,282 3/1991 Schmidt et al. .... D8/68  
4,998,589 3/1991 Wiesendauer ..... 173/170  
5,083,620 1/1992 Fushiya et al. .... 173/217

*Primary Examiner*—Alan P. Douglas  
*Assistant Examiner*—J. H. Musgrove  
*Attorney, Agent, or Firm*—Sughrue, Mion, Zinn,  
Macpeak & Seas

[57] **CLAIM**

The ornamental design for a portable electric driver drill, as shown.

**DESCRIPTION**

FIG. 1 is a front, top and right side perspective view of a portable electric driver drill showing our new design; FIG. 2 is a right side elevational view thereof; FIG. 3 is a top plan view thereof; FIG. 4 is a left side elevational view thereof; FIG. 5 is a front elevational view thereof; FIG. 6 is a rear elevational view thereof; and, FIG. 7 is a bottom plan view thereof.

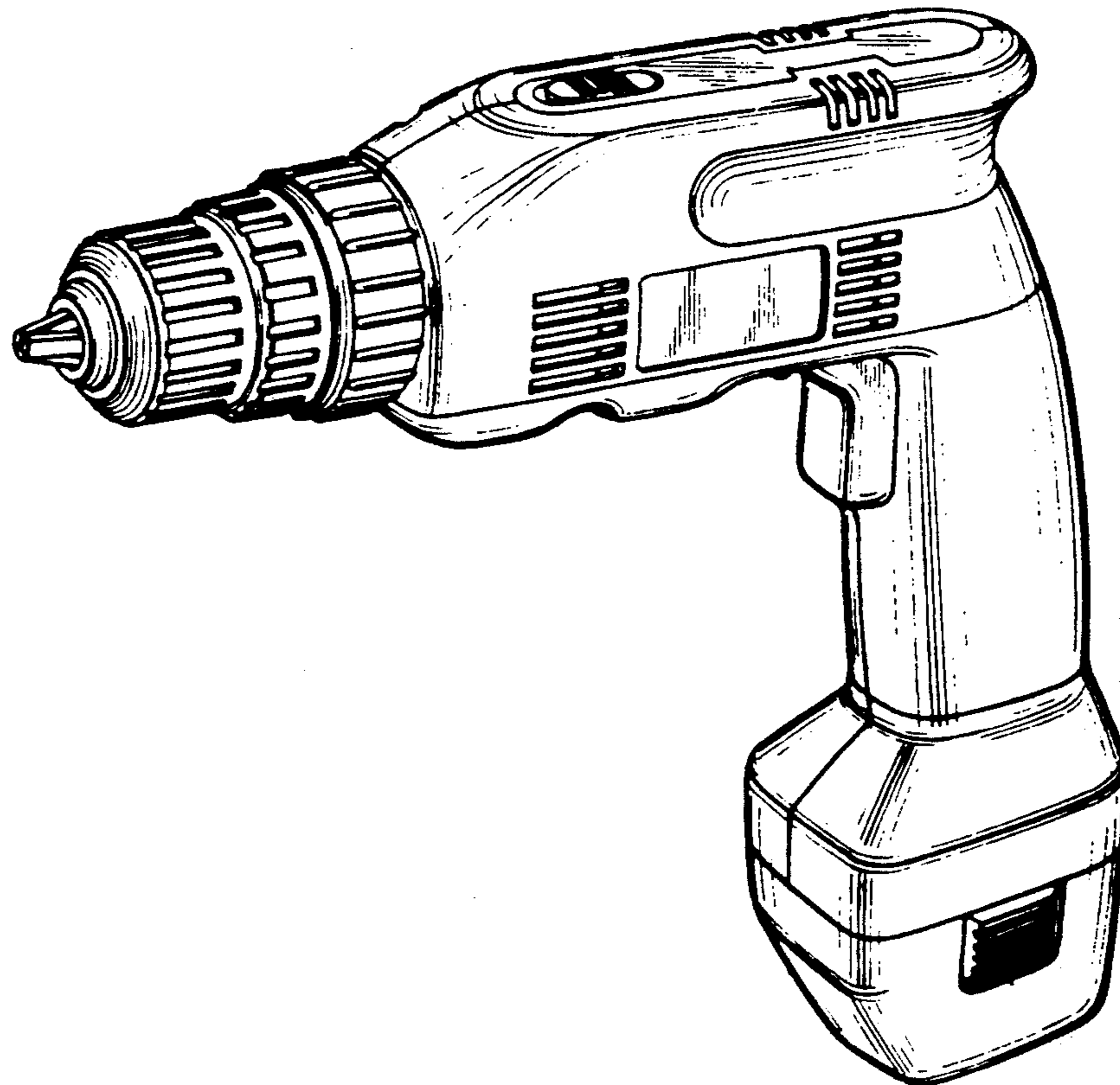


FIG. 1

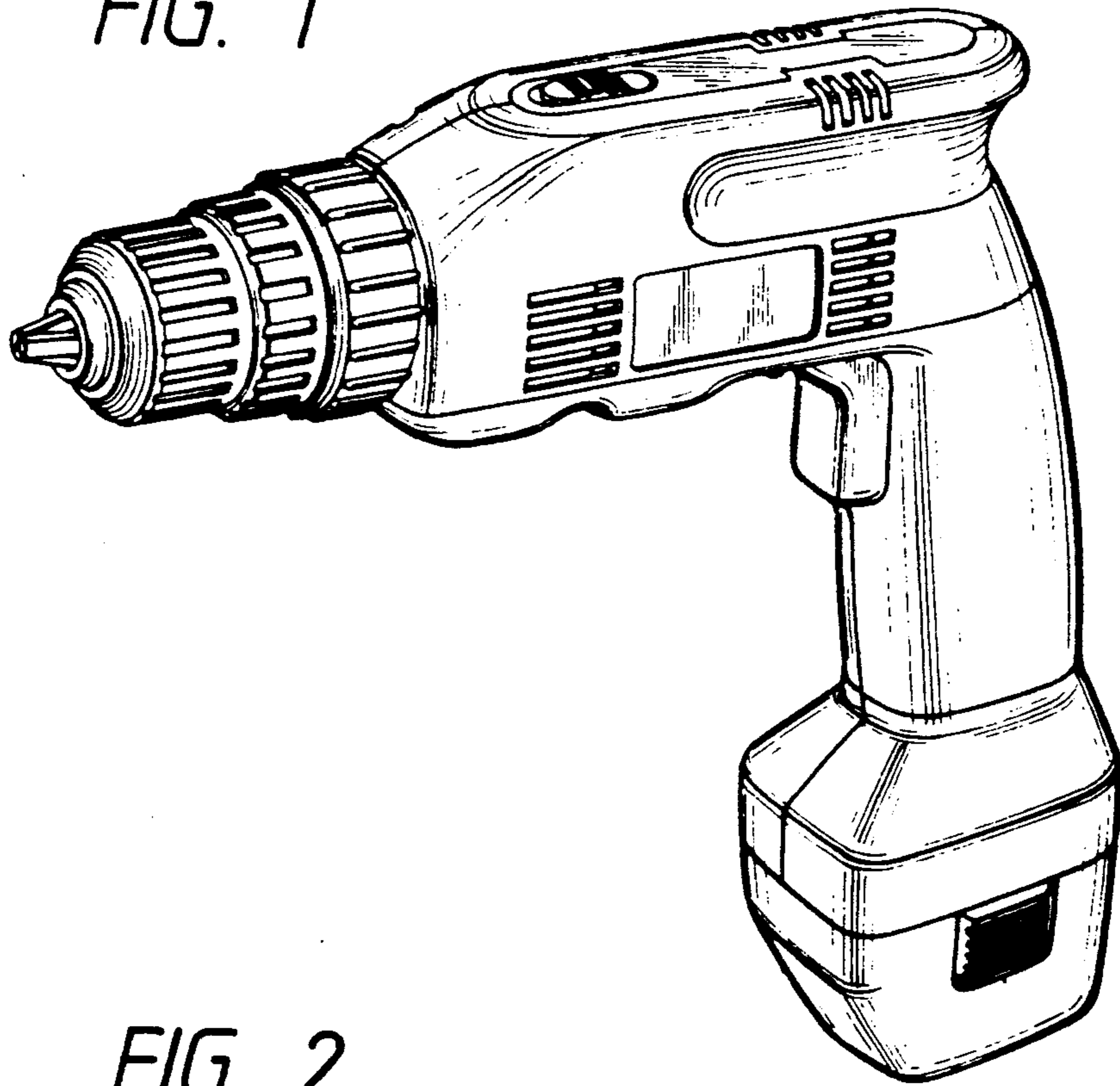


FIG. 2

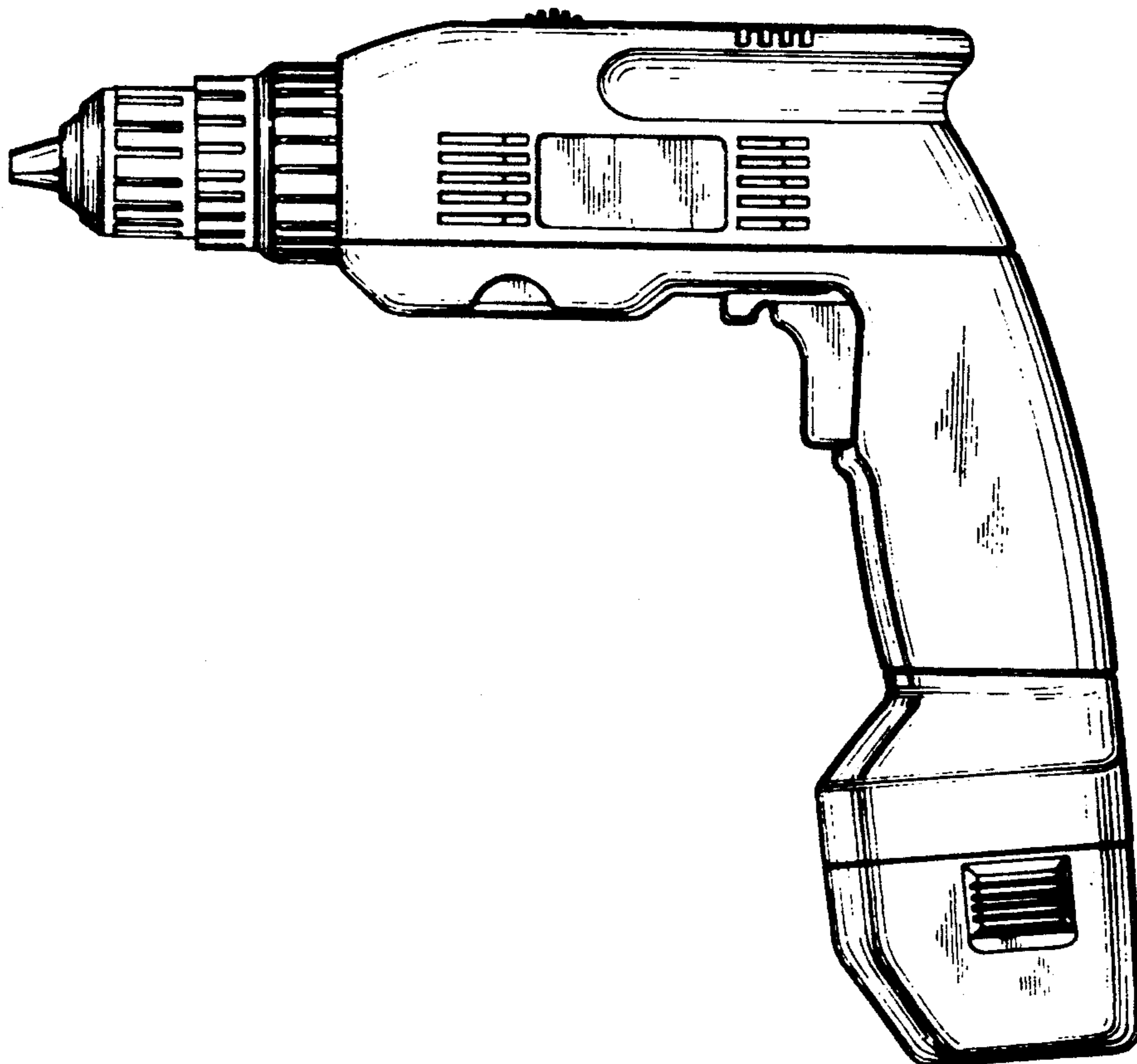


FIG. 3

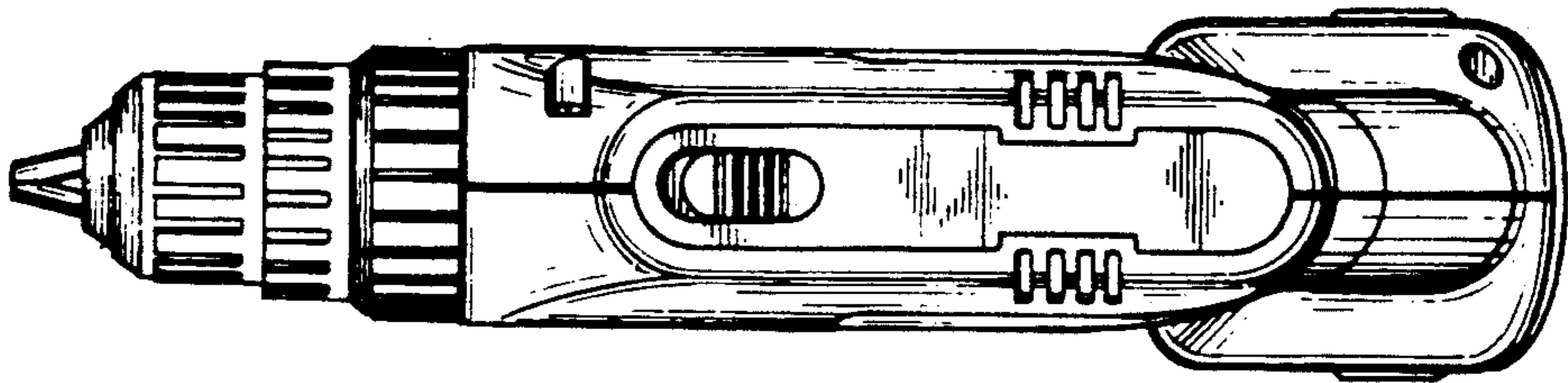


FIG. 4

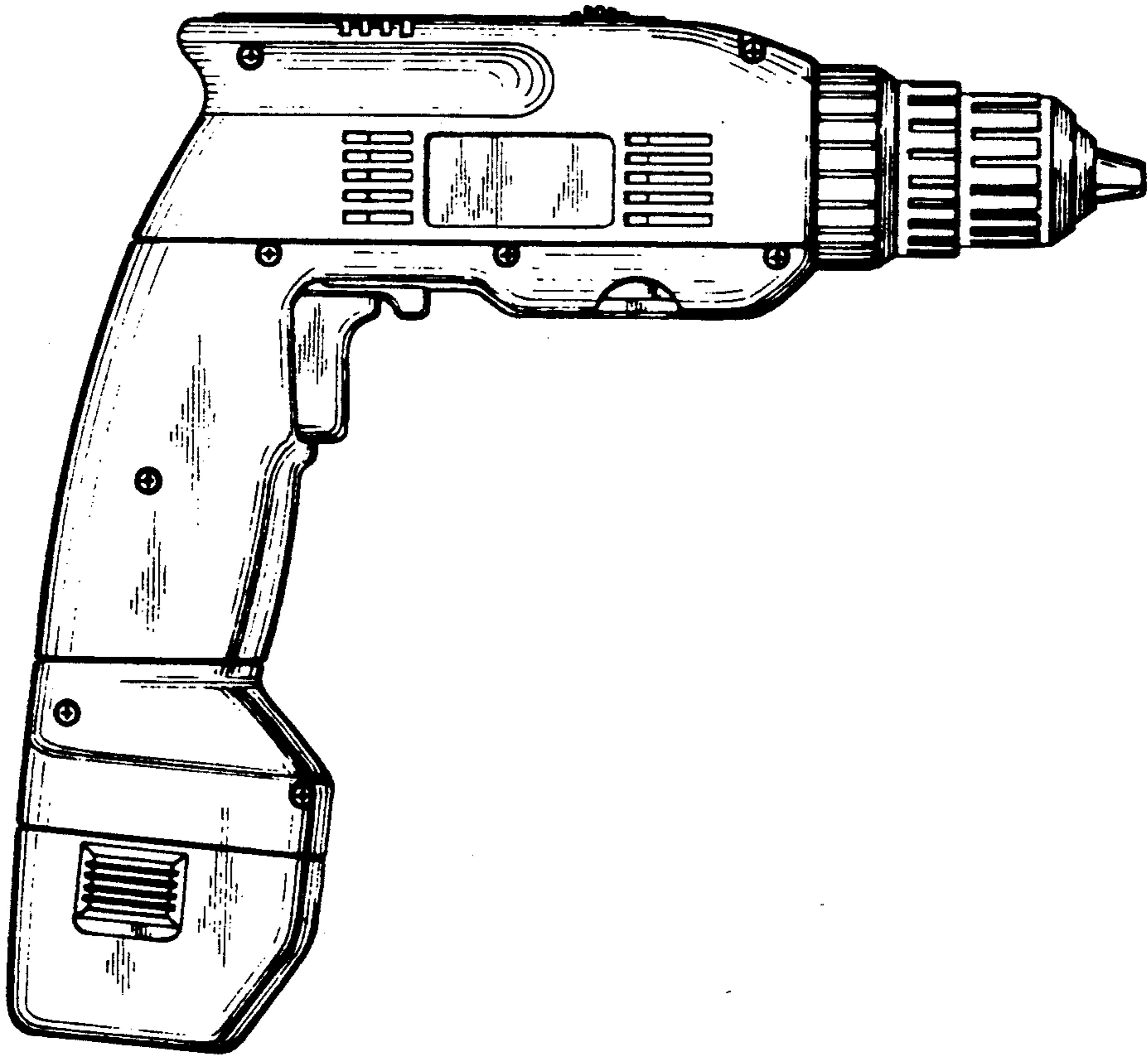


FIG. 5

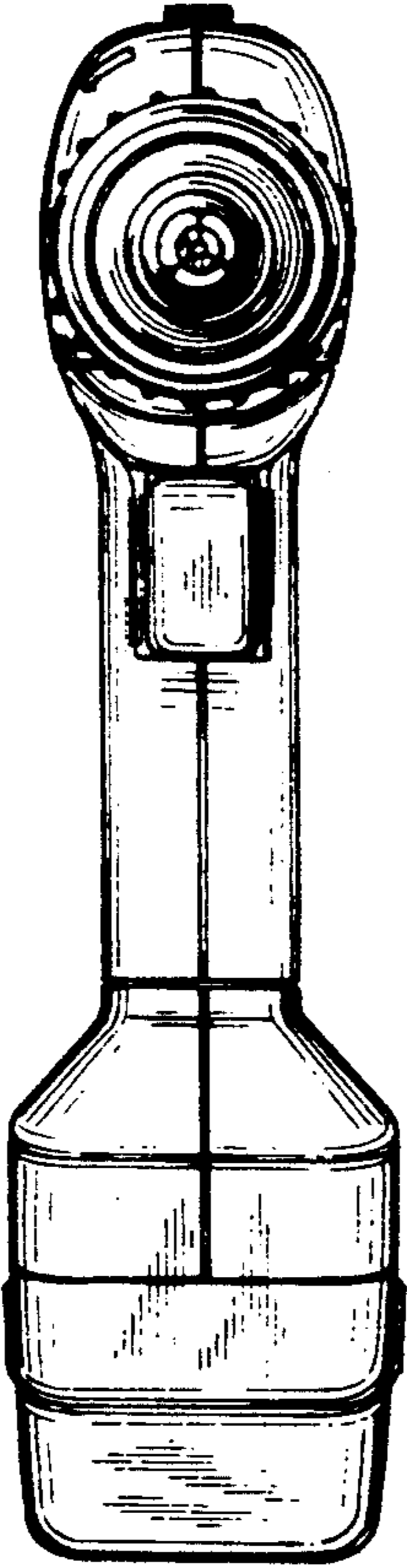


FIG. 6

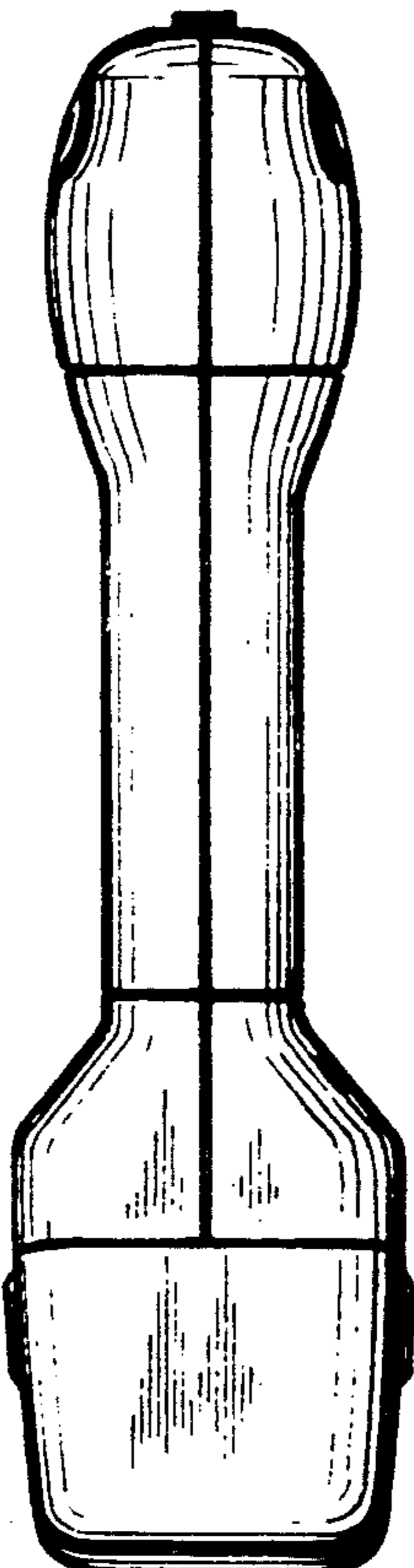


FIG. 7

