



US00D332206S

United States Patent [19] Franklin

[11] Patent Number: **Des. 332,206**

[45] Date of Patent: **** Jan. 5, 1993**

[54] **HOUSE AND GARDEN RETRIEVING TOOL**

[76] Inventor: **Julius Franklin, 2600 Westridge Rd.
#288, Houston, Tex. 77054**

[**] Term: **14 Years**

[21] Appl. No.: **596,610**

[22] Filed: **Oct. 12, 1990**

[52] U.S. Cl. **D8/4; D8/14**

[58] Field of Search **D8/4, 14.1, 14;
294/19.1-22, 50.9**

2,029,155 1/1936 Cervenka et al. 294/50.9
3,276,805 10/1966 Lambert 294/19.1
4,938,516 7/1990 Temple 294/19.1 X

Primary Examiner—Wallace R. Burke
Assistant Examiner—H. Baynham
Attorney, Agent, or Firm—Leon Gilden

[57] **CLAIM**

The ornamental design for a house and garden retrieving tool, as shown and described.

DESCRIPTION

FIG. 1 is a front elevational view of the house and garden retrieving tool showing my new design; FIG. 2 is a rear elevational view thereof; FIG. 3 is a left side elevational view thereof; FIG. 4 is a right side elevational view thereof; FIG. 5 is an enlarged top plan view thereof; FIG. 6 is an enlarged bottom plan view thereof; and, FIG. 7 is a perspective view thereof.

[56] **References Cited**

U.S. PATENT DOCUMENTS

D. 211,196	5/1968	Hollis	D8/4
D. 215,806	11/1969	Clark	D8/4
D. 318,991	8/1991	Beavers	D8/4
1,908,322	5/1933	Cook	D8/4
2,025,254	12/1935	Stuart	294/50.9

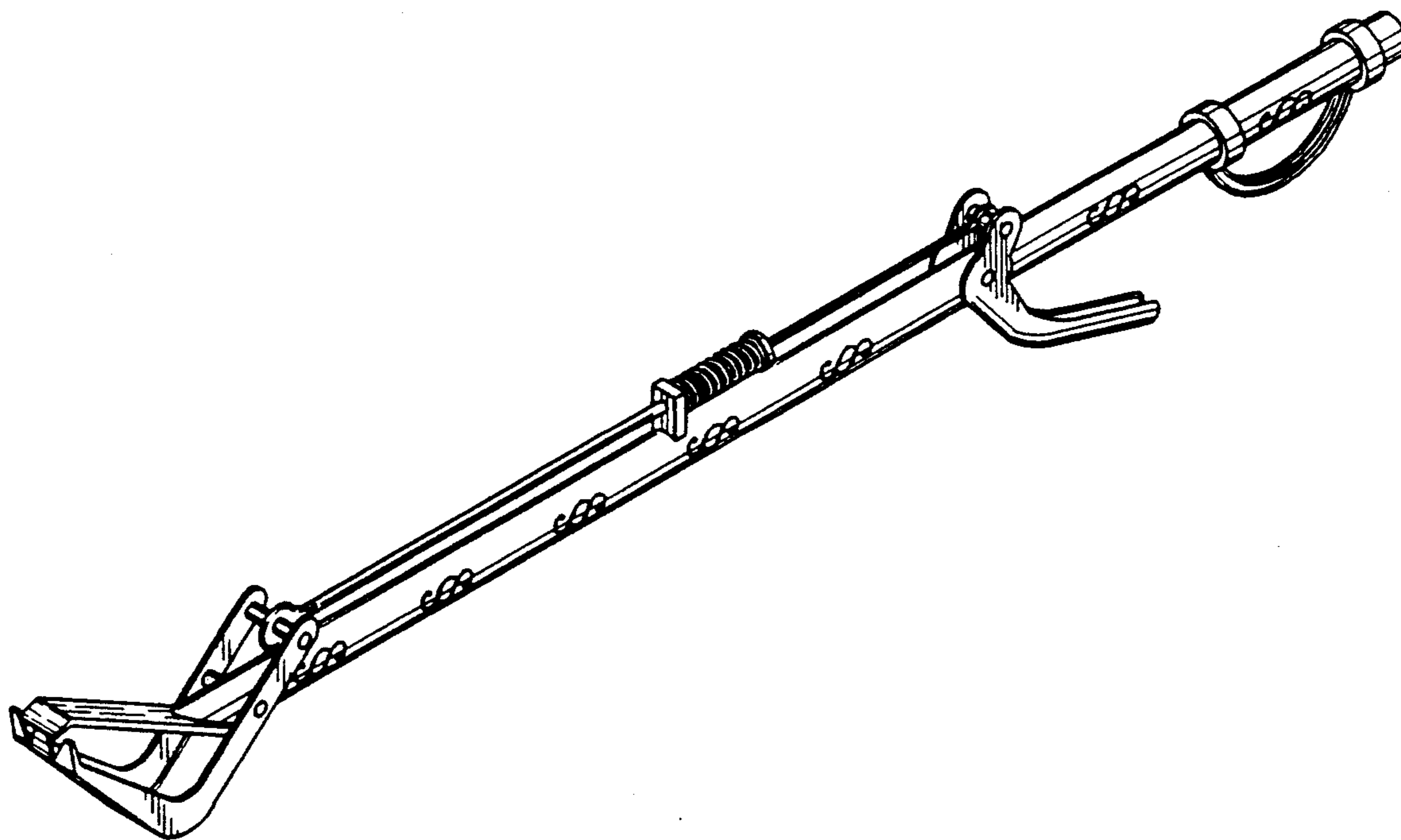


FIG. 1

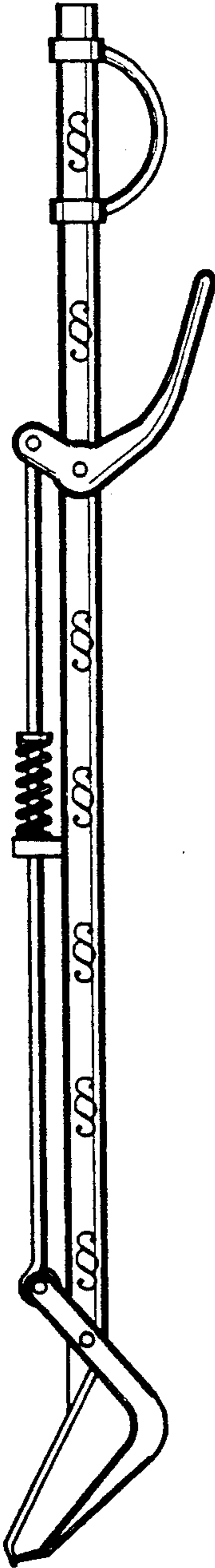


FIG. 2

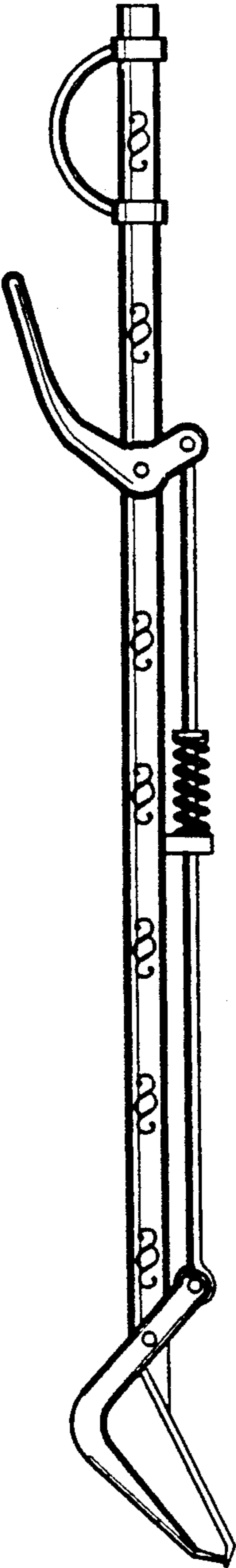


FIG. 3

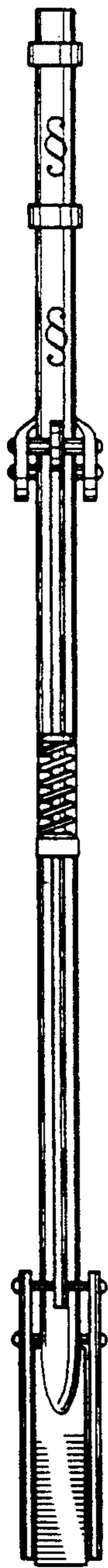


FIG. 4



FIG. 5

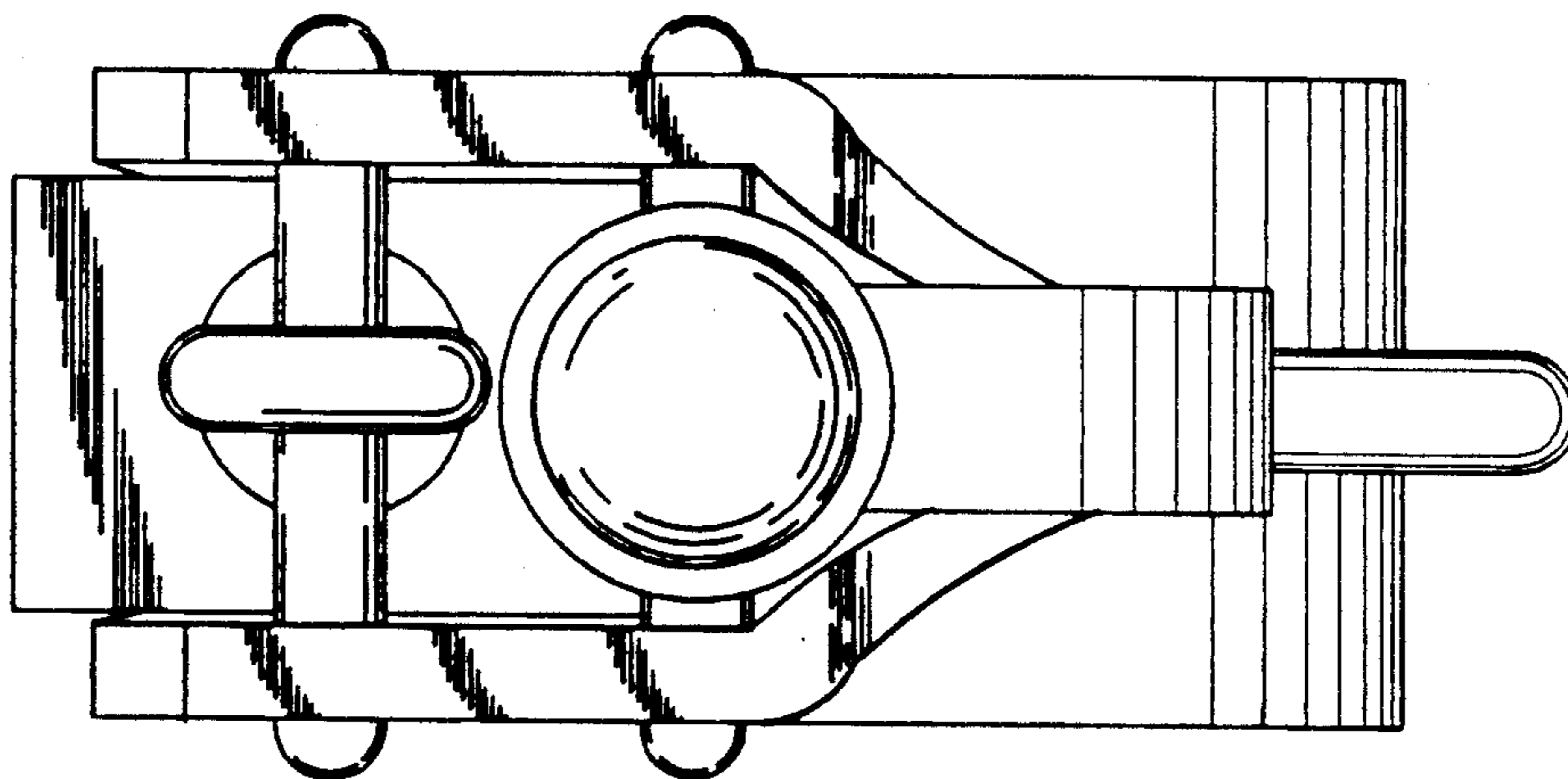


FIG. 6

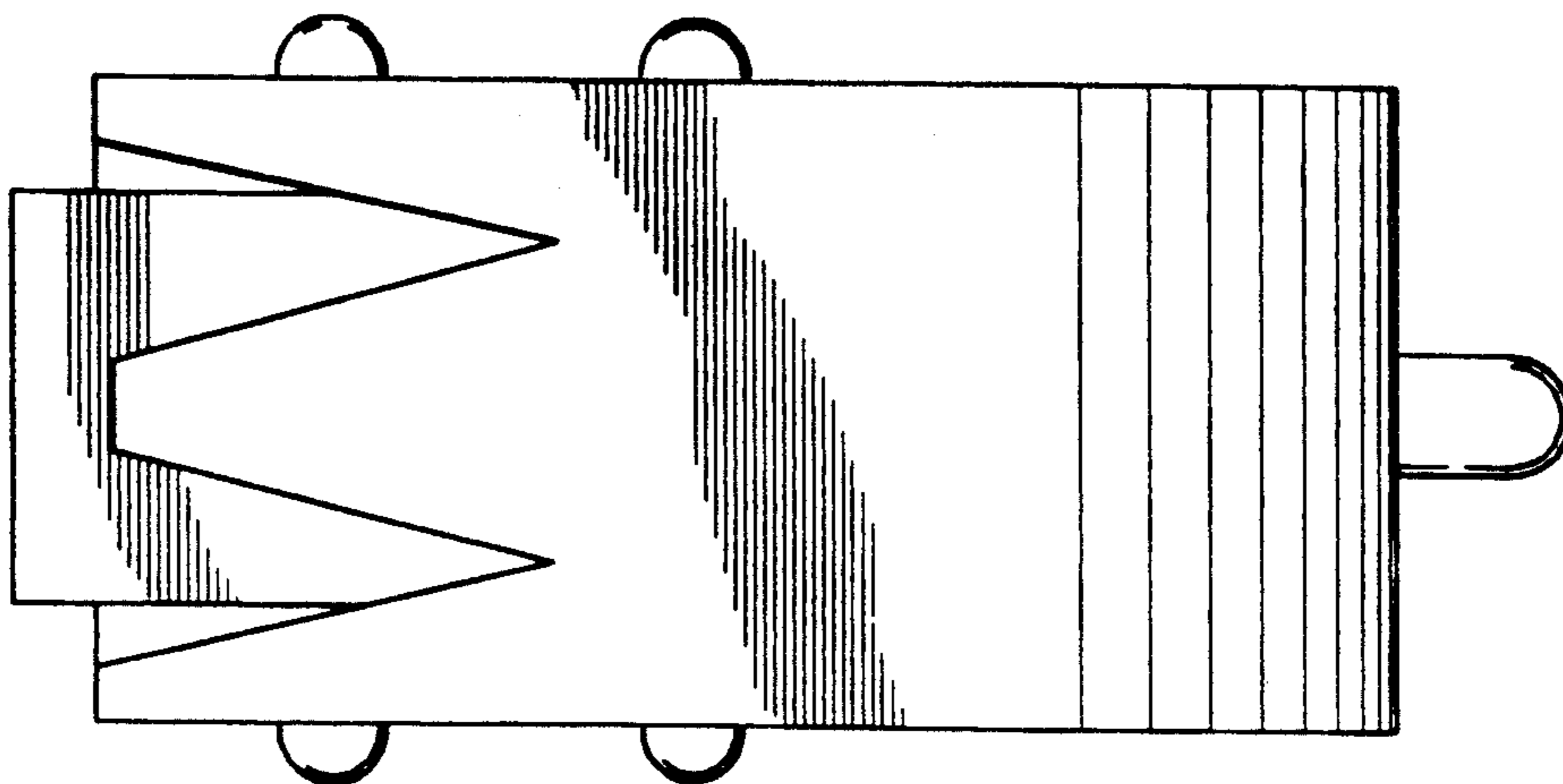


FIG. 7

