



US00D332199S

United States Patent [19]

[11] Patent Number: **Des. 332,199**

Pomeroy

[45] Date of Patent: **** Jan. 5, 1993**

[54] BEVERAGE DISPENSER

[75] Inventor: **Charles J. Pomeroy, Seattle, Wash.**

[73] Assignee: **Caffe Acorto, Inc., Bellevue, Wash.**

[**] Term: **14 Years**

[21] Appl. No.: **497,122**

[22] Filed: **Mar. 21, 1990**

[52] U.S. Cl. **D7/309; D7/310; D7/308**

[58] Field of Search **D7/313, 312, 322, 315, D7/300, 300.1, 305, 308, 307, 311, 310; 222/14.6, 127.1, 129.2, 129.3, 129.4, 189, 185; 99/295**

[56] References Cited

U.S. PATENT DOCUMENTS

- D. 218,083 7/1970 Hartley D7/308
- D. 246,311 11/1977 Sverson, deceased et al. D7/305
- D. 298,504 11/1988 Prech D7/308

D. 311,844 11/1990 Chase et al. D7/308

D. 324,464 3/1992 Credle, Jr. et al. D7/308

D. 324,795 3/1972 Hoover et al. D7/308

3,664,550 5/1972 Carothers et al. 222/129.2

4,550,652 11/1985 Da Silva 97/275

Primary Examiner—Alan P. Douglas

Assistant Examiner—M. N. Pandozzi

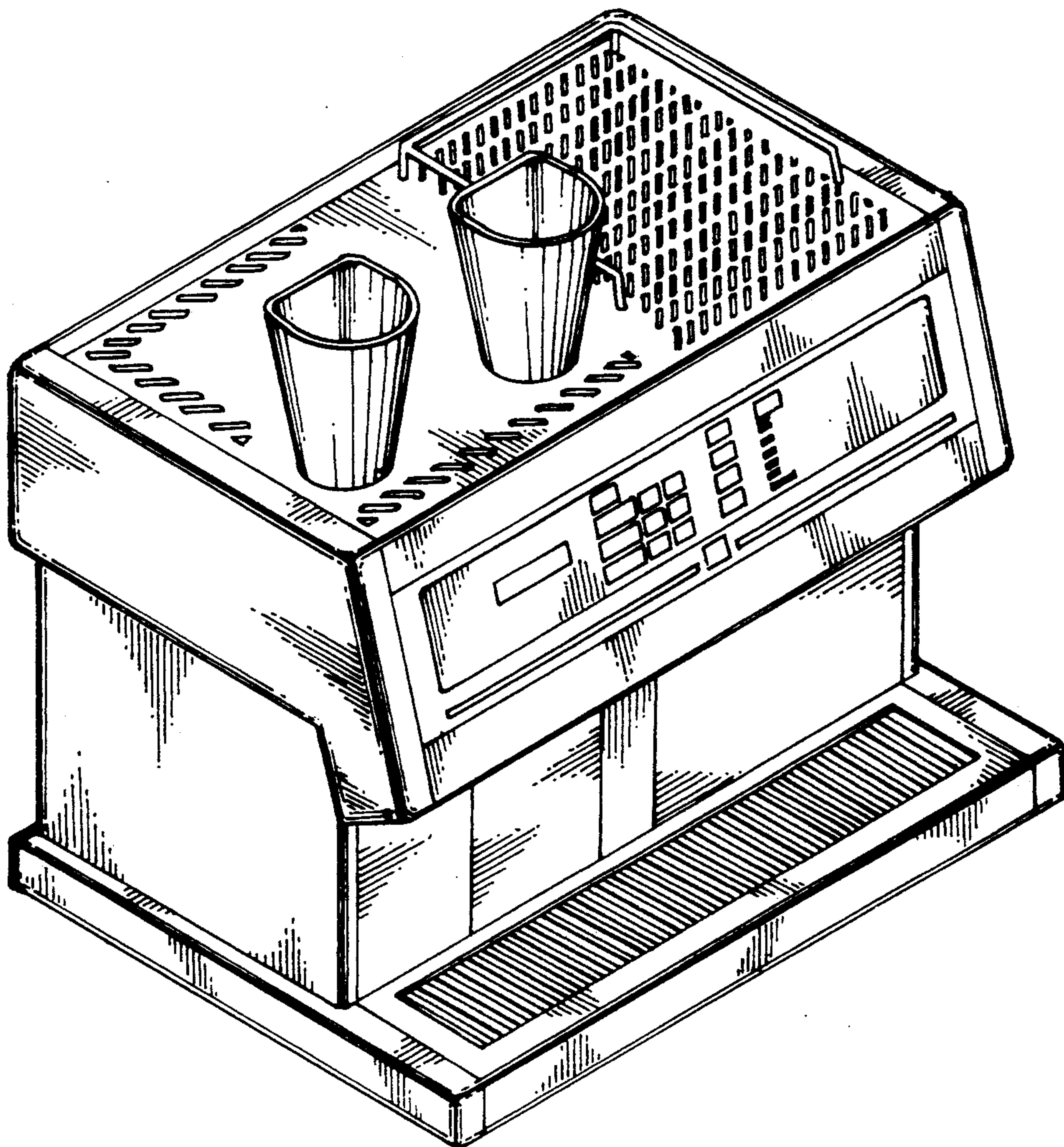
Attorney, Agent, or Firm—Daniel T. Anderson

[57] CLAIM

The ornamental design for a beverage dispenser, as shown.

DESCRIPTION

FIG. 1 is a top front, left perspective view of a beverage dispenser, showing my new design;
 FIG. 2 is a front elevational view thereof;
 FIG. 3 is a rear elevational view thereof;
 FIG. 4 is a right side elevational view thereof;
 FIG. 5 is a left side elevational view thereof;
 FIG. 6 is a top, plan view thereof; and,
 FIG. 7 is bottom view thereof.



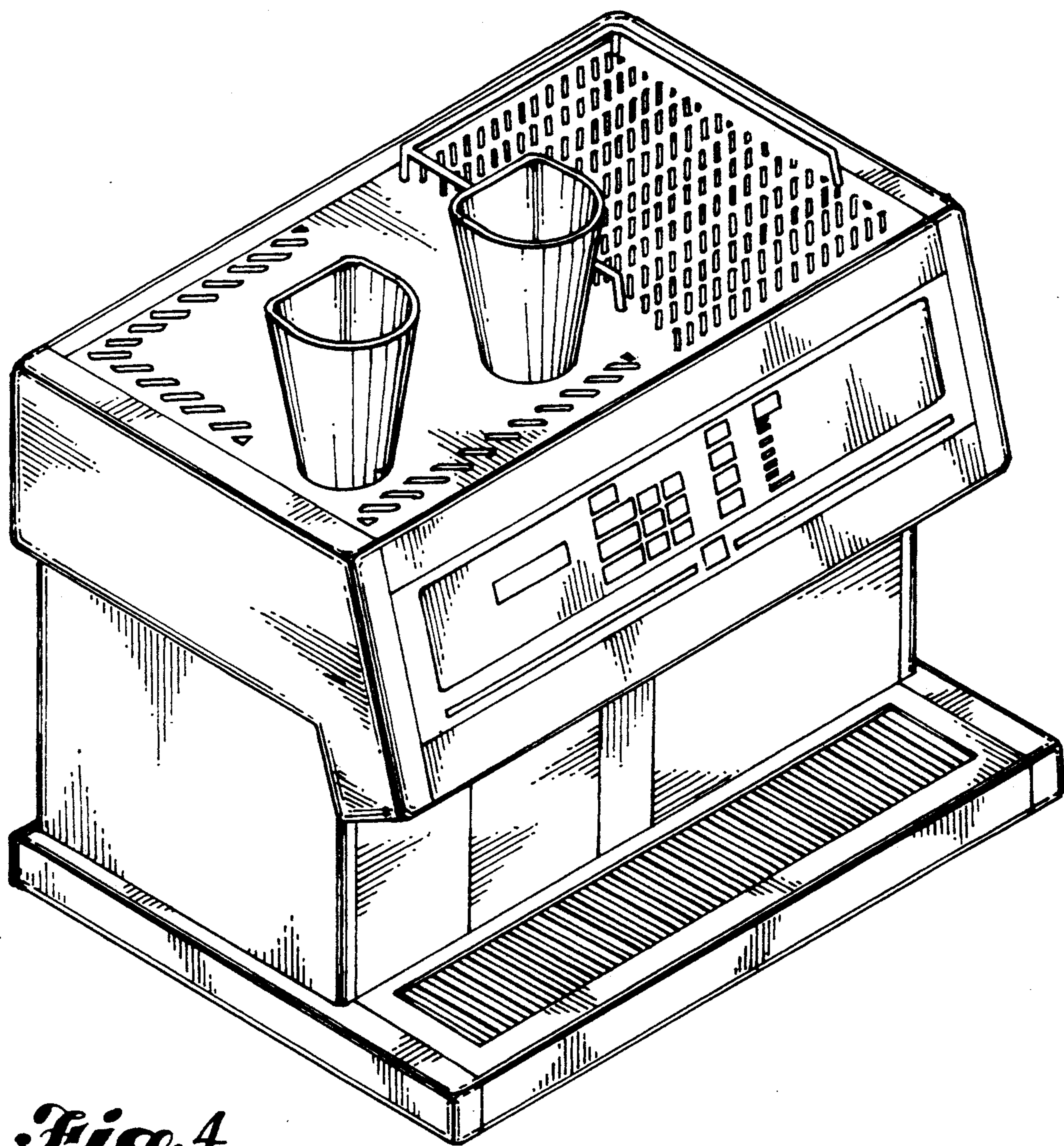


Fig. 4

Fig. 2

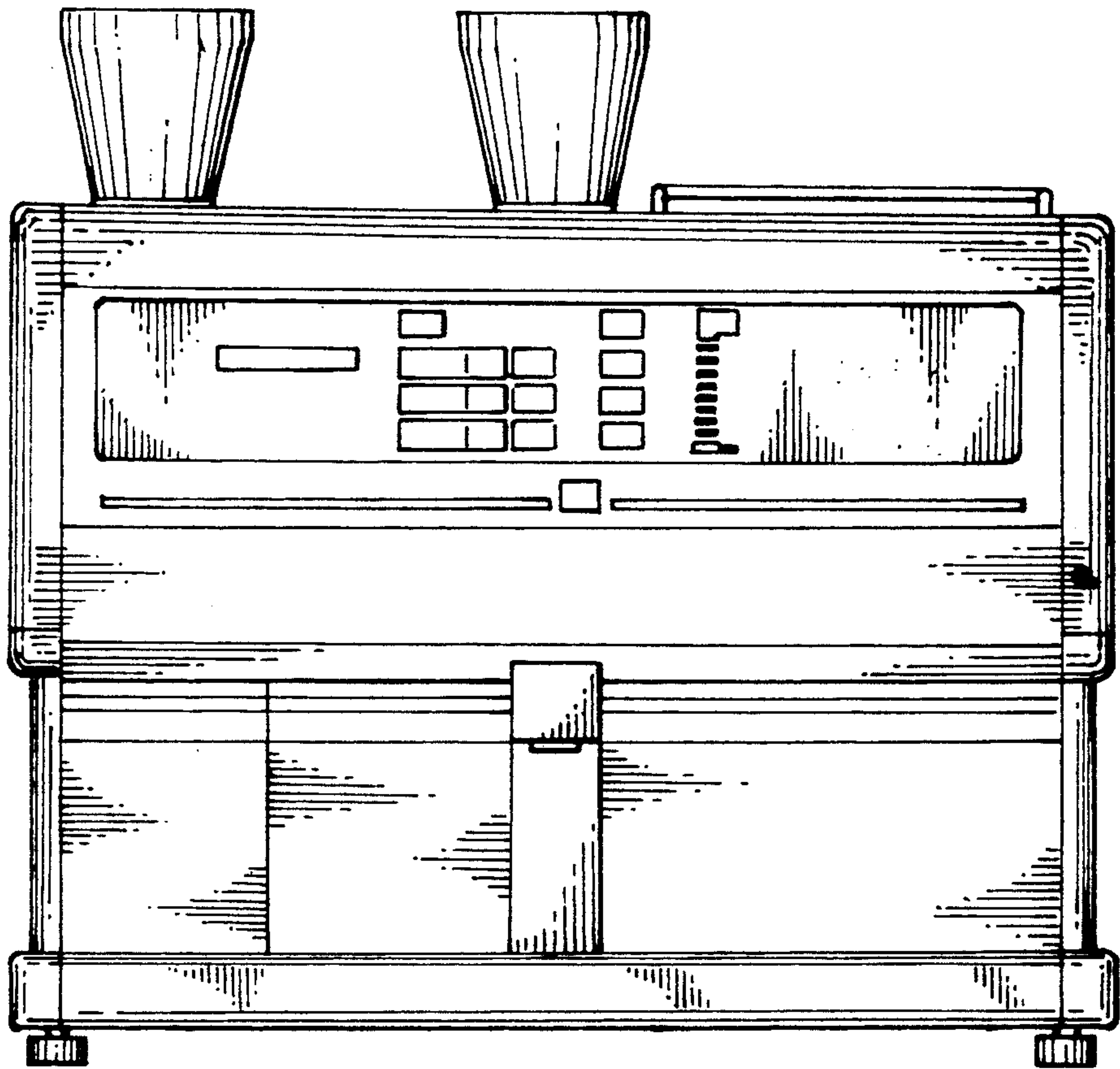


Fig. 3

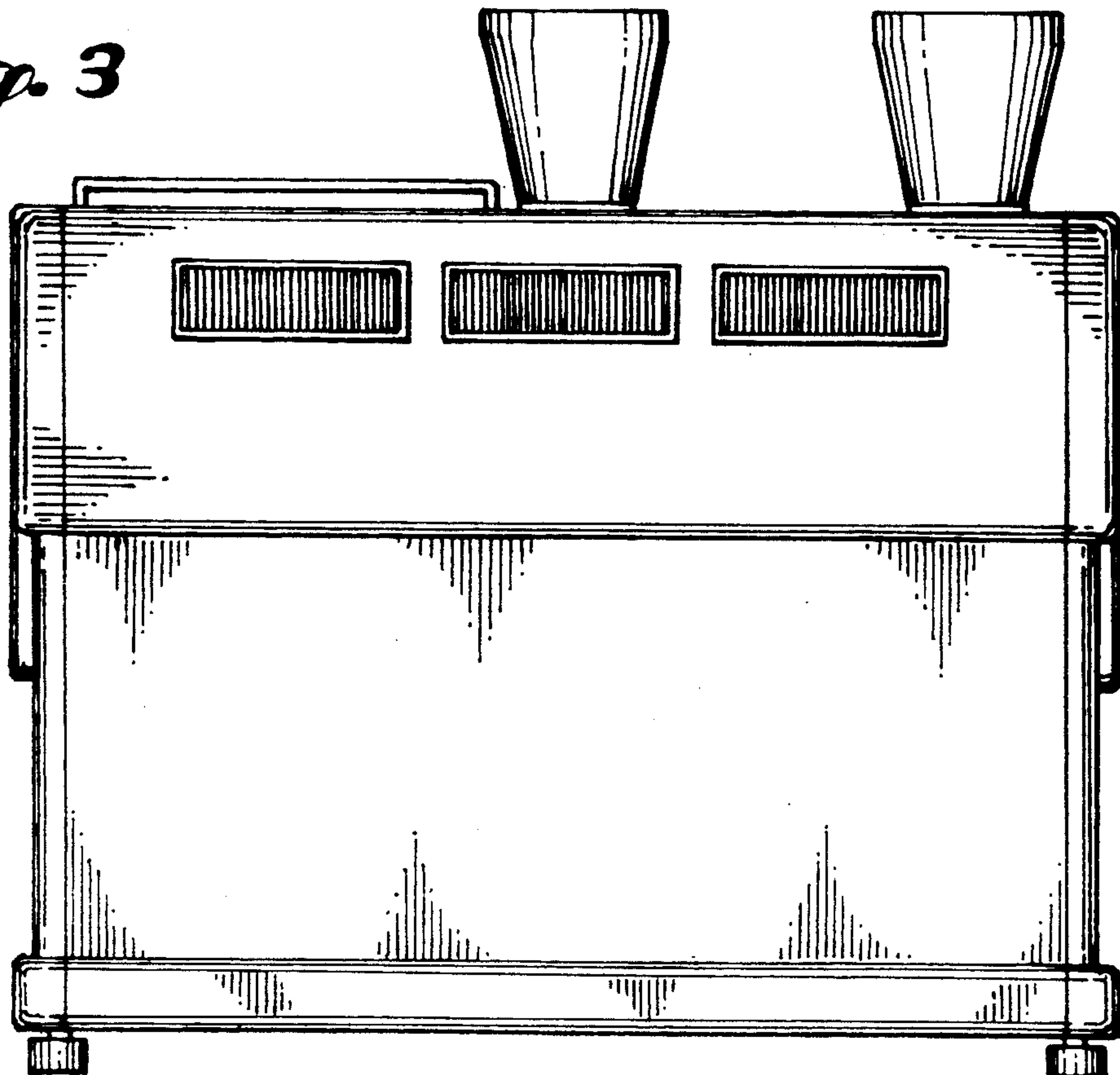


Fig. 4

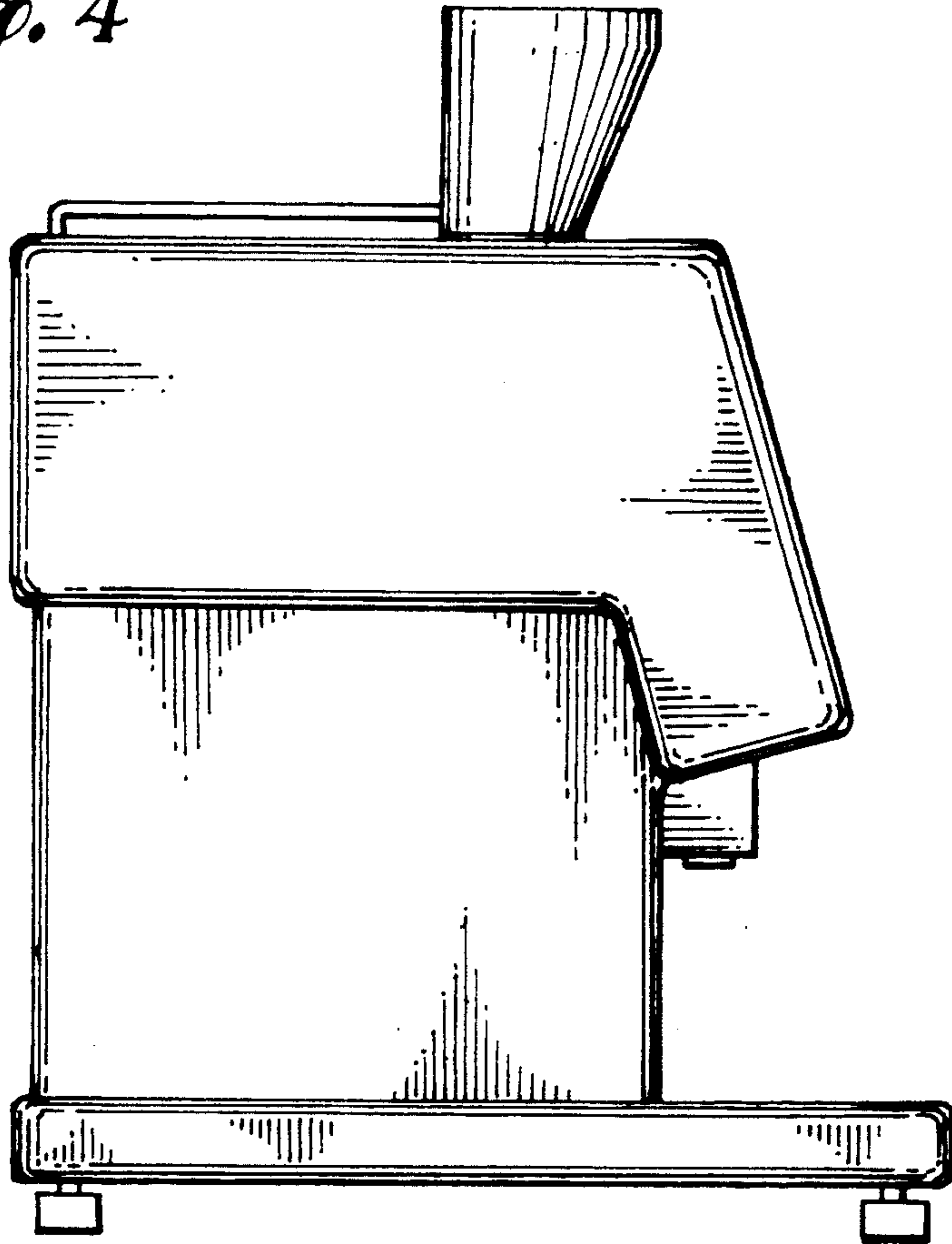


Fig. 5

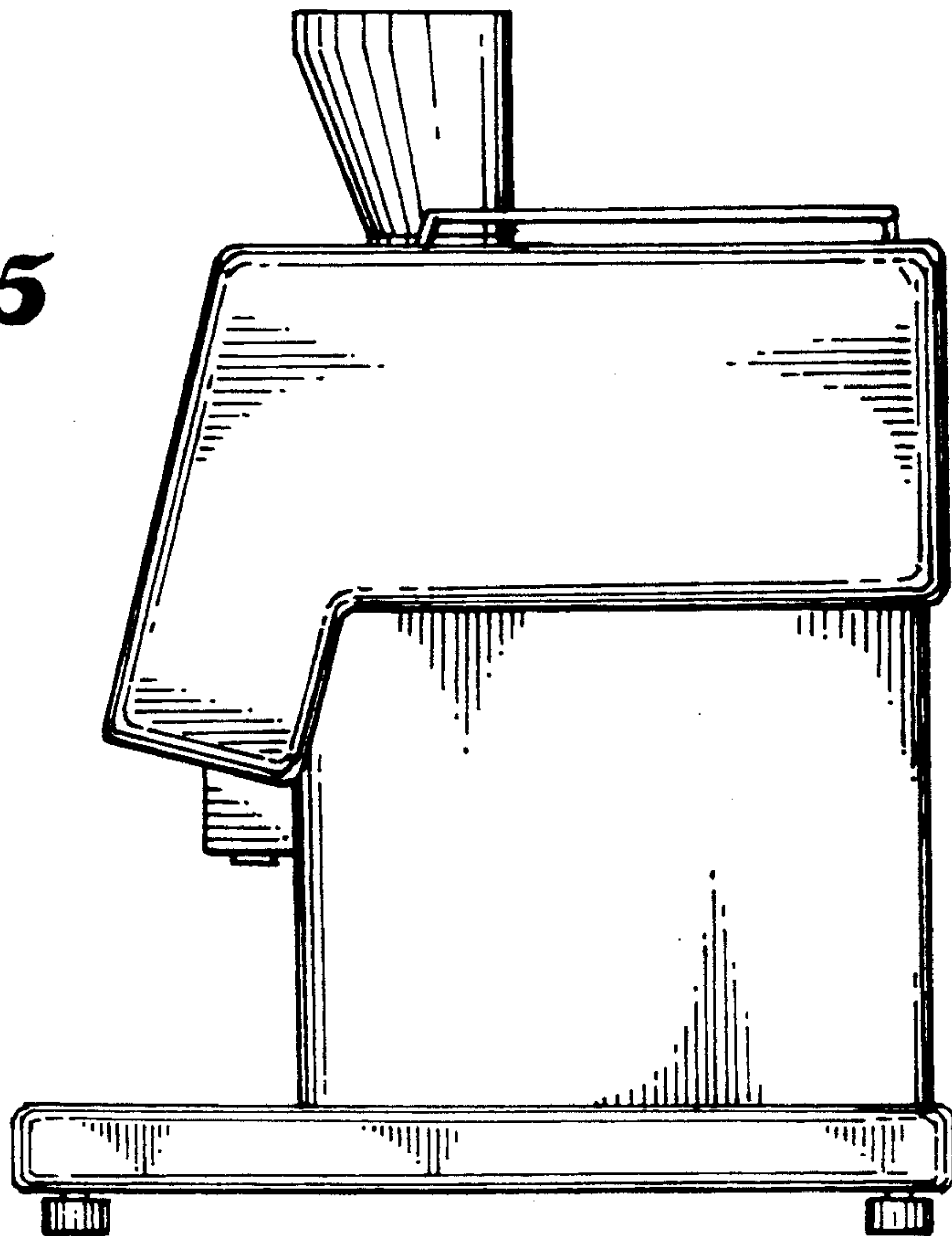


Fig. 6

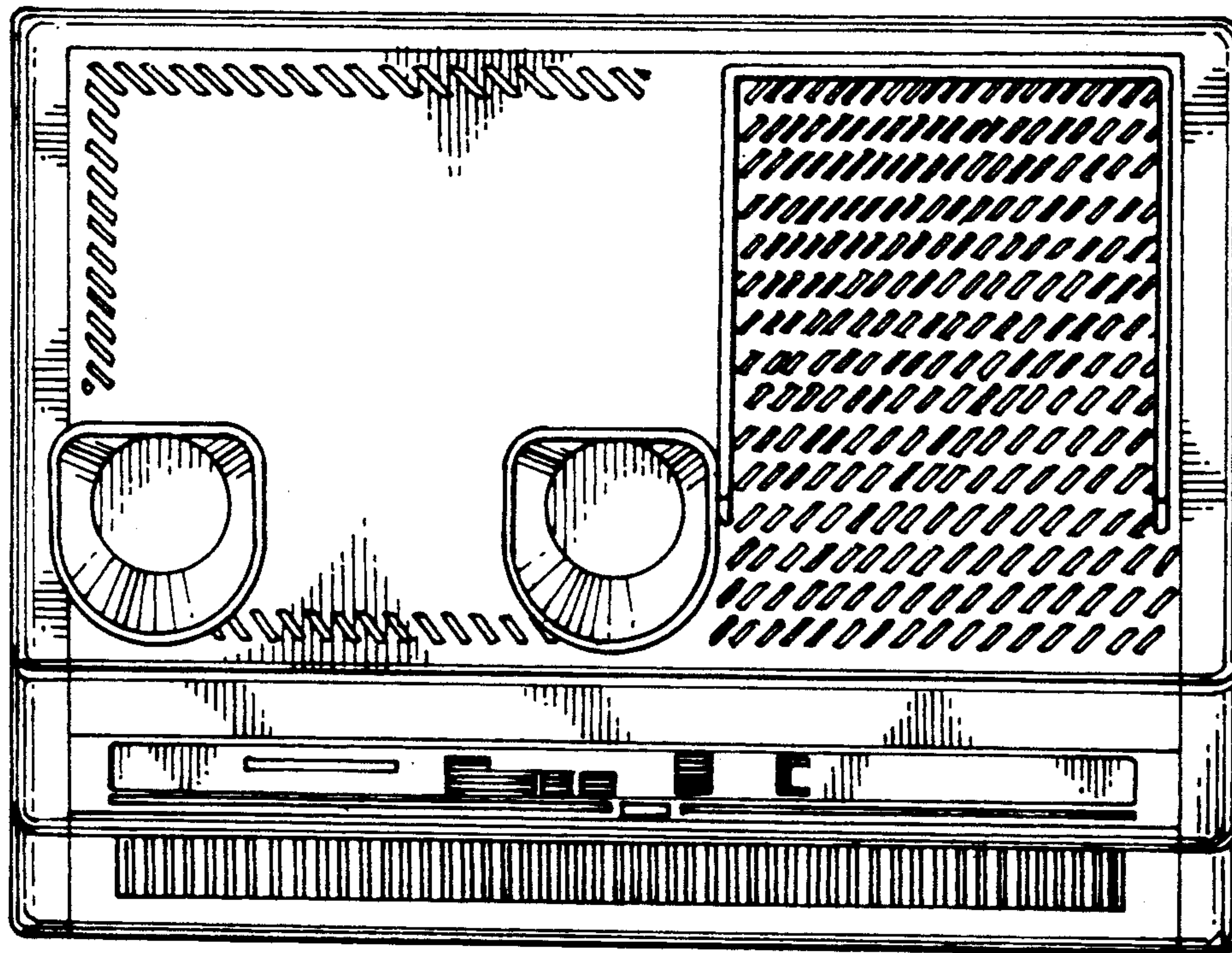


Fig. 7

