



US00D332187S

United States Patent [19]

[11] Patent Number: Des. 332,187

Stravitz

[45] Date of Patent: ** Jan. 5, 1993

[54] STORAGE RACK

[76] Inventor: David M. Stravitz, 16 Park Ave., Suite 14A, New York, N.Y. 10016

[**] Term: 14 Years

[21] Appl. No.: 679,592

[22] Filed: Apr. 3, 1991

[52] U.S. Cl. D6/407; D6/467; D6/511; D9/342

[58] Field of Search D6/396, 397, 407, 408, D6/449, 466, 467-468, 475, 476, 509-511, 571; D9/341, 342, 456; 211/13, 40, 41; 206/557, 228, 561-565; D19/83, 77; D3/35

[56] **References Cited**

U.S. PATENT DOCUMENTS

D. 112,952	1/1939	Steiner	D27/189
D. 160,344	10/1950	Shapiro	D6/468
D. 216,604	2/1970	Brindley	D6/467
D. 238,536	1/1976	Scherzer	D6/467
D. 240,400	7/1976	Marino	D9/341
D. 271,110	1/1984	Taub	D6/571
D. 279,583	7/1985	Hall	D19/83 X
D. 317,849	7/1991	Adams	D9/341 X
3,176,838	4/1965	Duval	D9/341 X
3,467,247	9/1969	Weiss	206/561
3,716,145	2/1973	Gutierrez	211/40

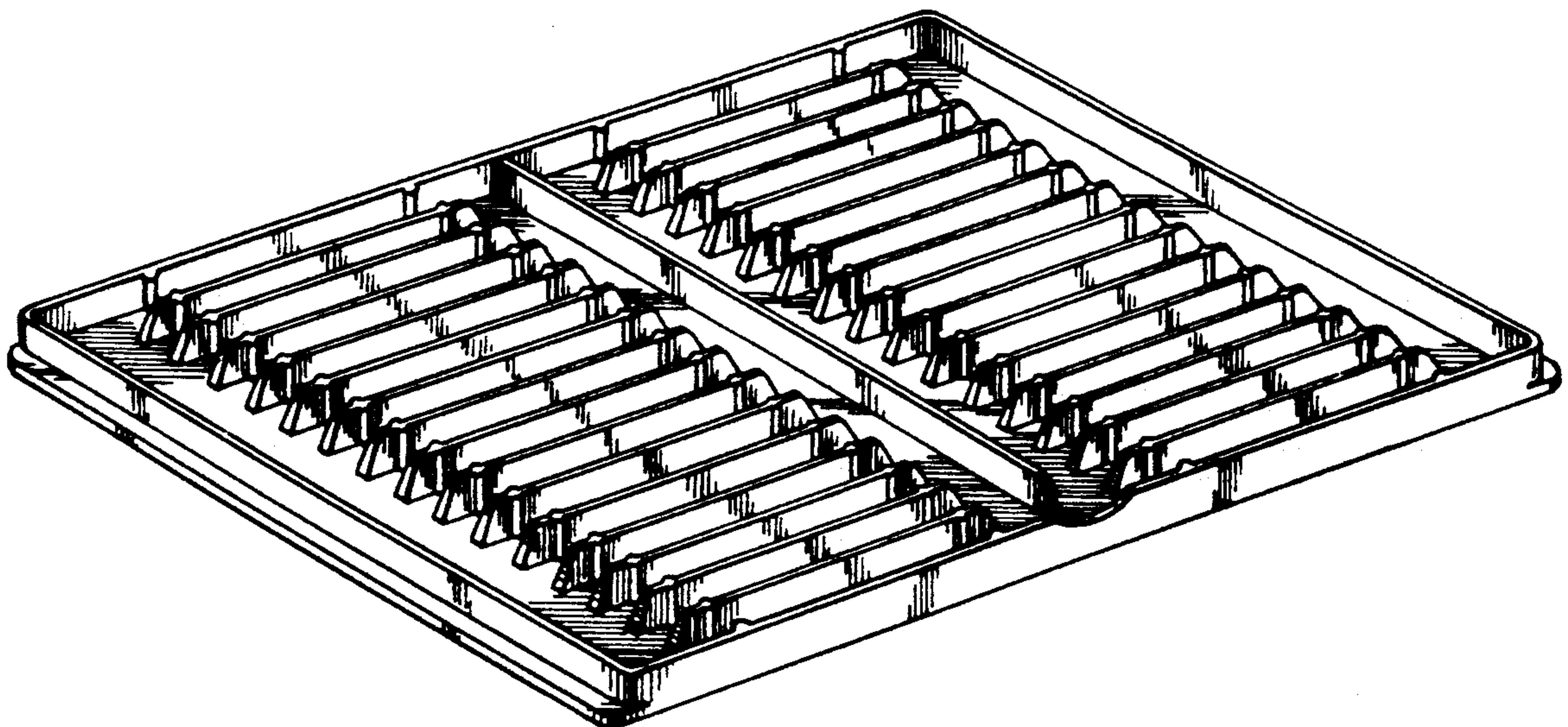
Primary Examiner—Carmen H. Vales-Lado
Assistant Examiner—Jeffrey Asch
Attorney, Agent, or Firm—Frishauf, Holtz, Goodman & Woodward

[57] **CLAIM**

The ornamental design for a storage rack, as shown and described.

DESCRIPTION

FIG. 1 is a front, left, top perspective view of a storage rack showing my new design;
FIG. 2 is a top plan view thereof;
FIG. 3 is a front elevational view thereof;
FIG. 4 is a left side elevational view thereof, the right side elevational view being identical;
FIG. 5 is a rear elevational view thereof;
FIG. 6 is a bottom plan view thereof;
FIG. 7 is a front, left, top perspective view of a second embodiment of that shown in FIG. 1;
FIG. 8 is a top plan view thereof;
FIG. 9 is a front elevational view thereof;
FIG. 10 is a left side elevational view thereof, the right side elevational view being identical;
FIG. 11 is a rear elevational view thereof; and,
FIG. 12 is a bottom plan view thereof.
FIGS. 2-6 and 8-12 have been shown on a reduced scale with respect to FIGS. 1 and 7.



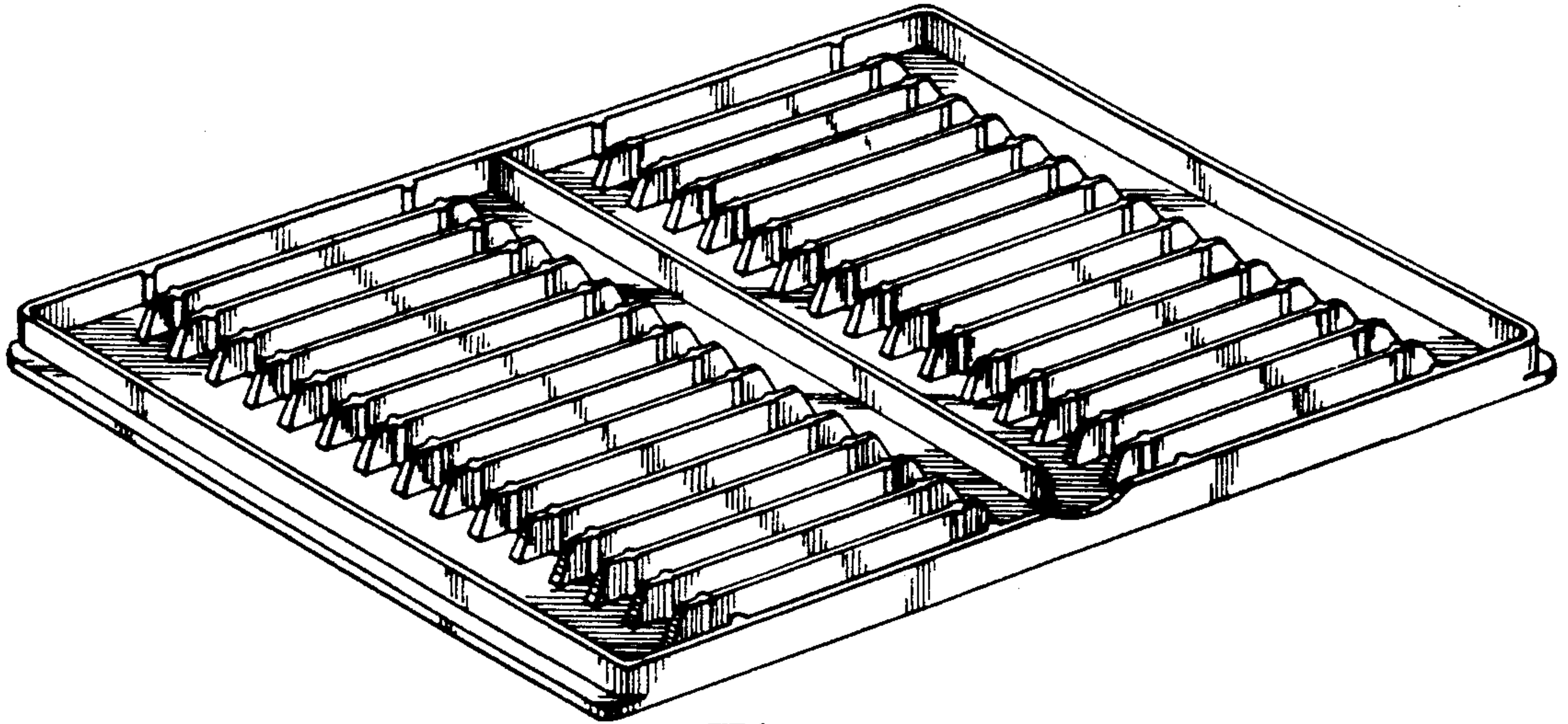


Fig. 1

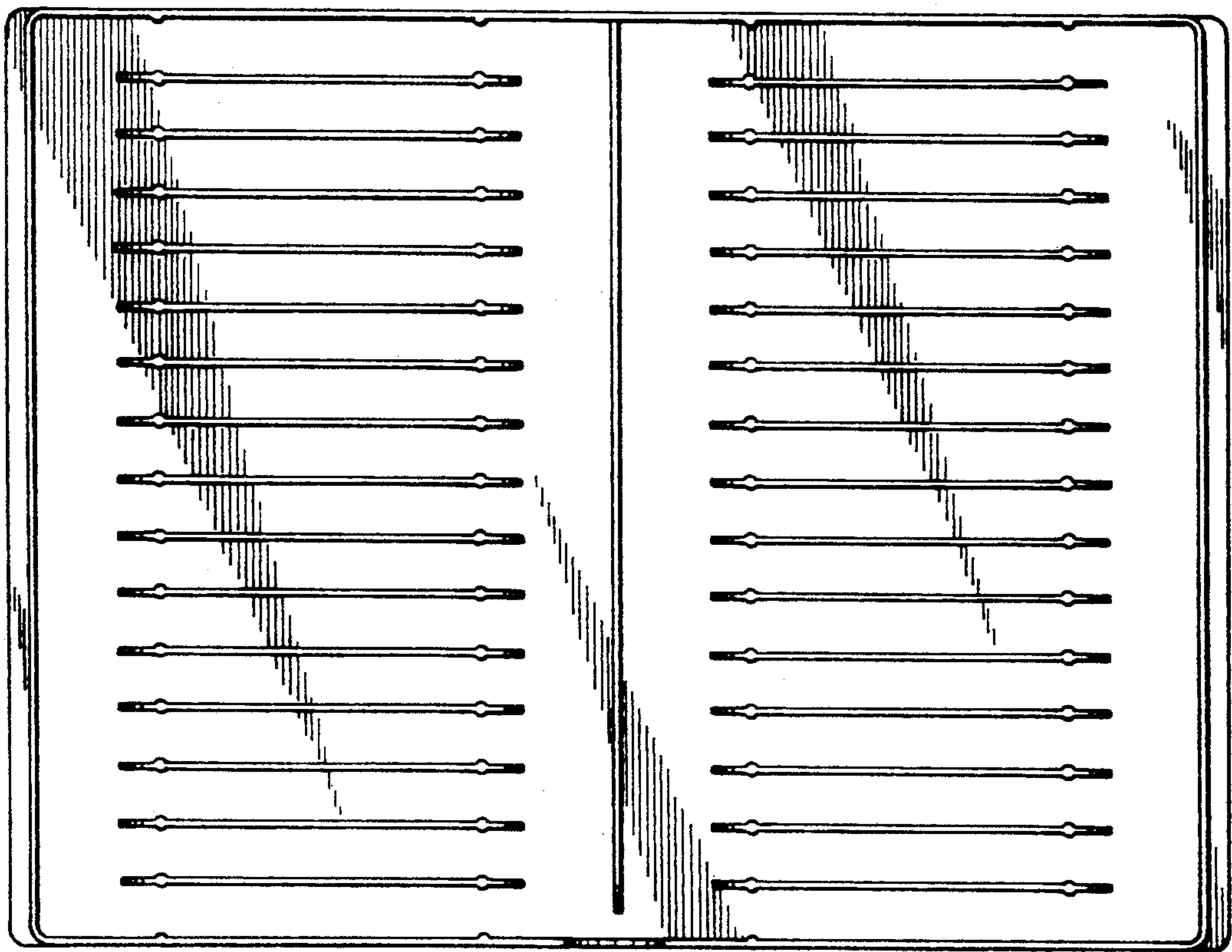


Fig. 2



Fig. 3

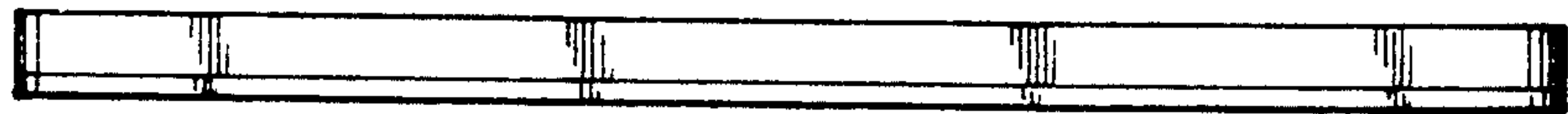


Fig. 4

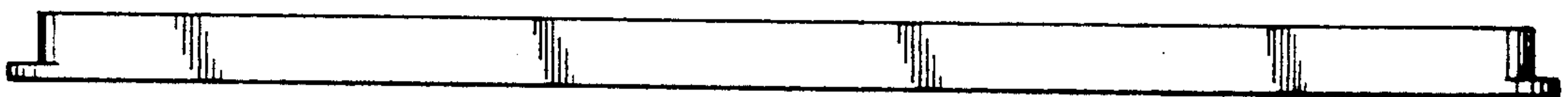


Fig. 5

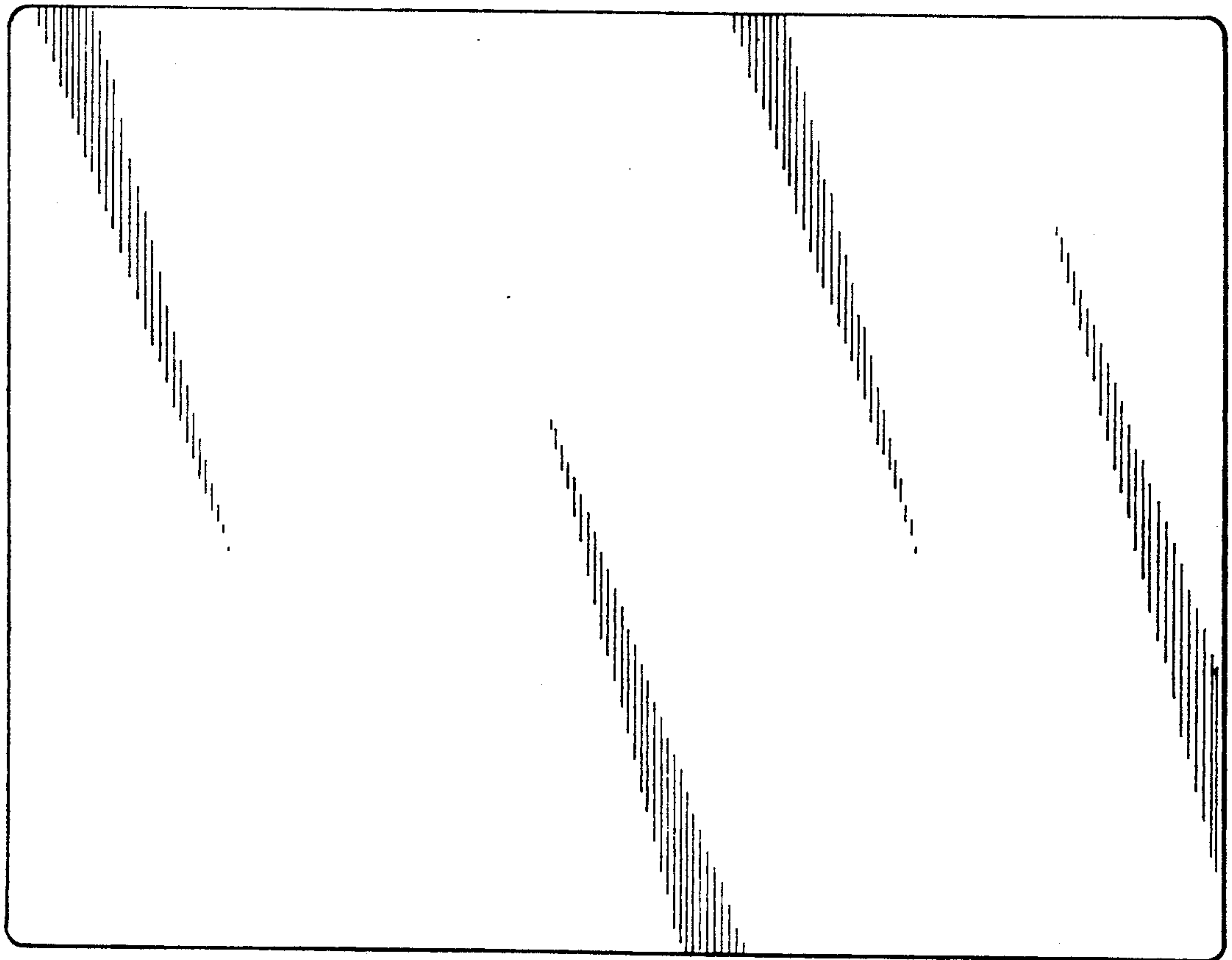


Fig. 6

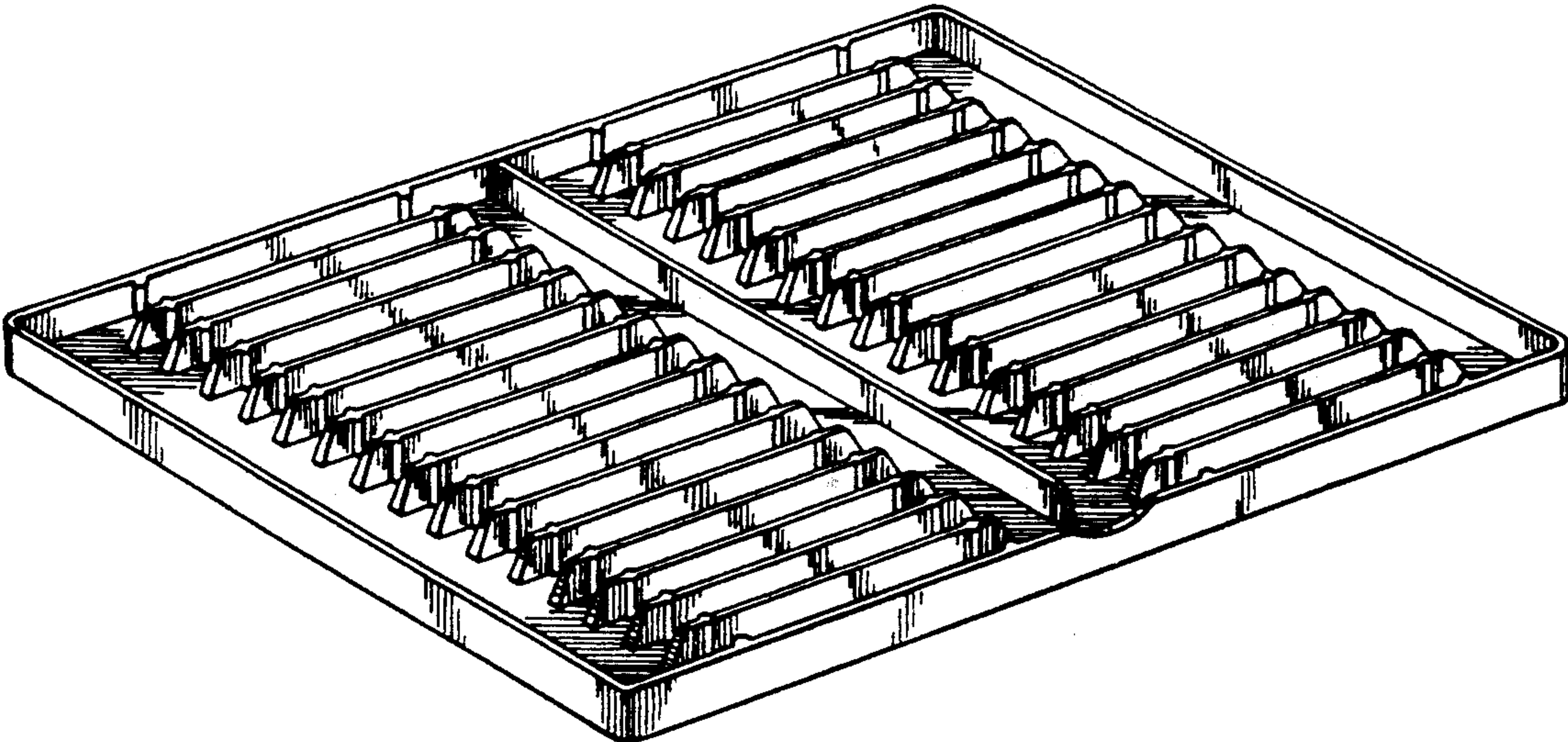


Fig. 7

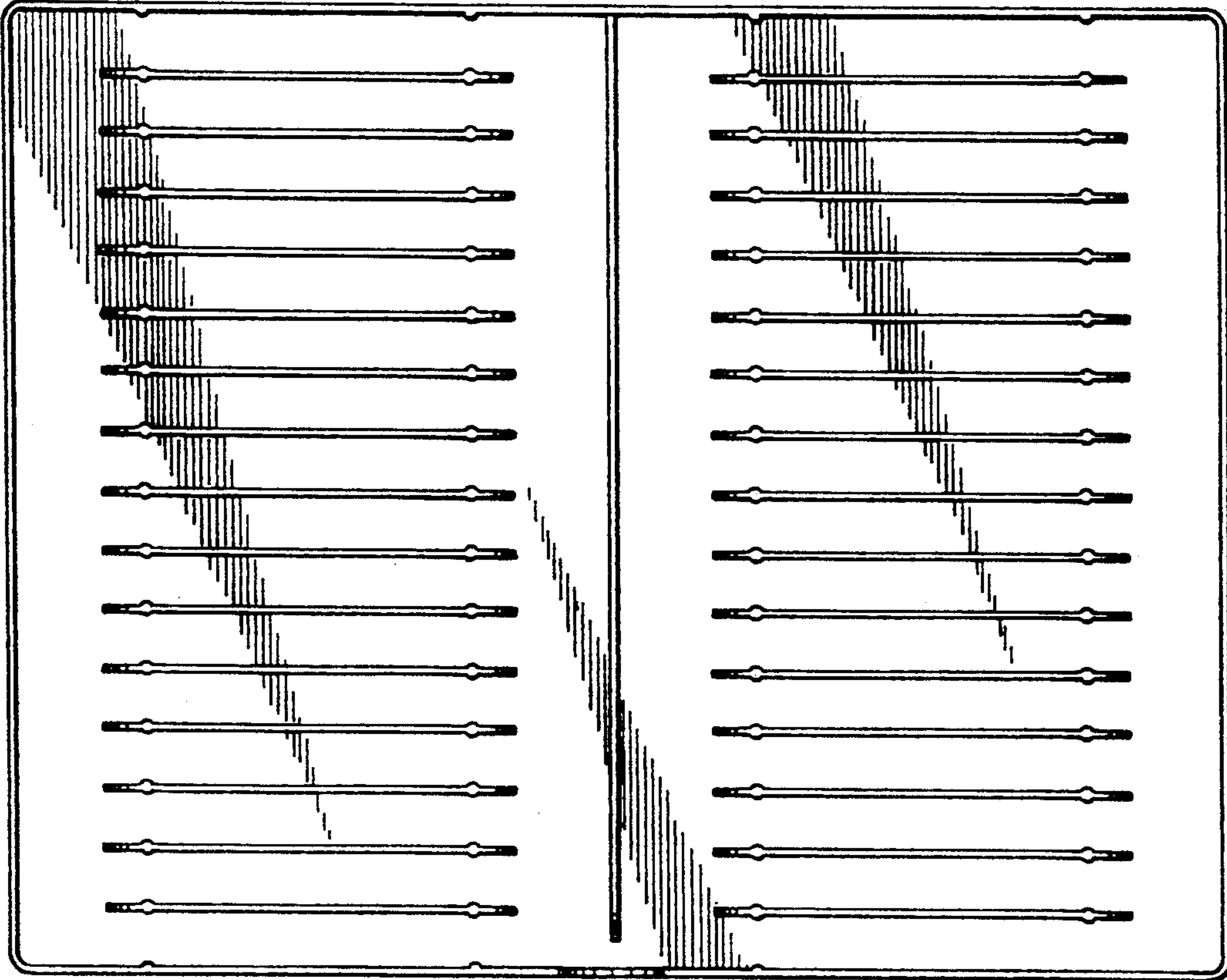


Fig. 8



Fig. 9



Fig. 10

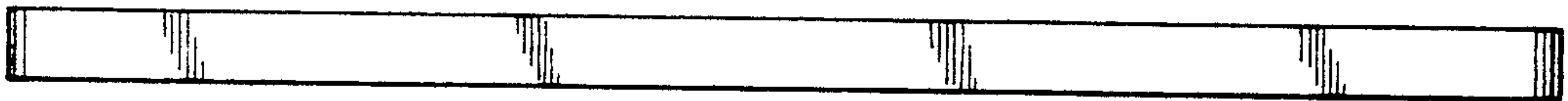


Fig. 11

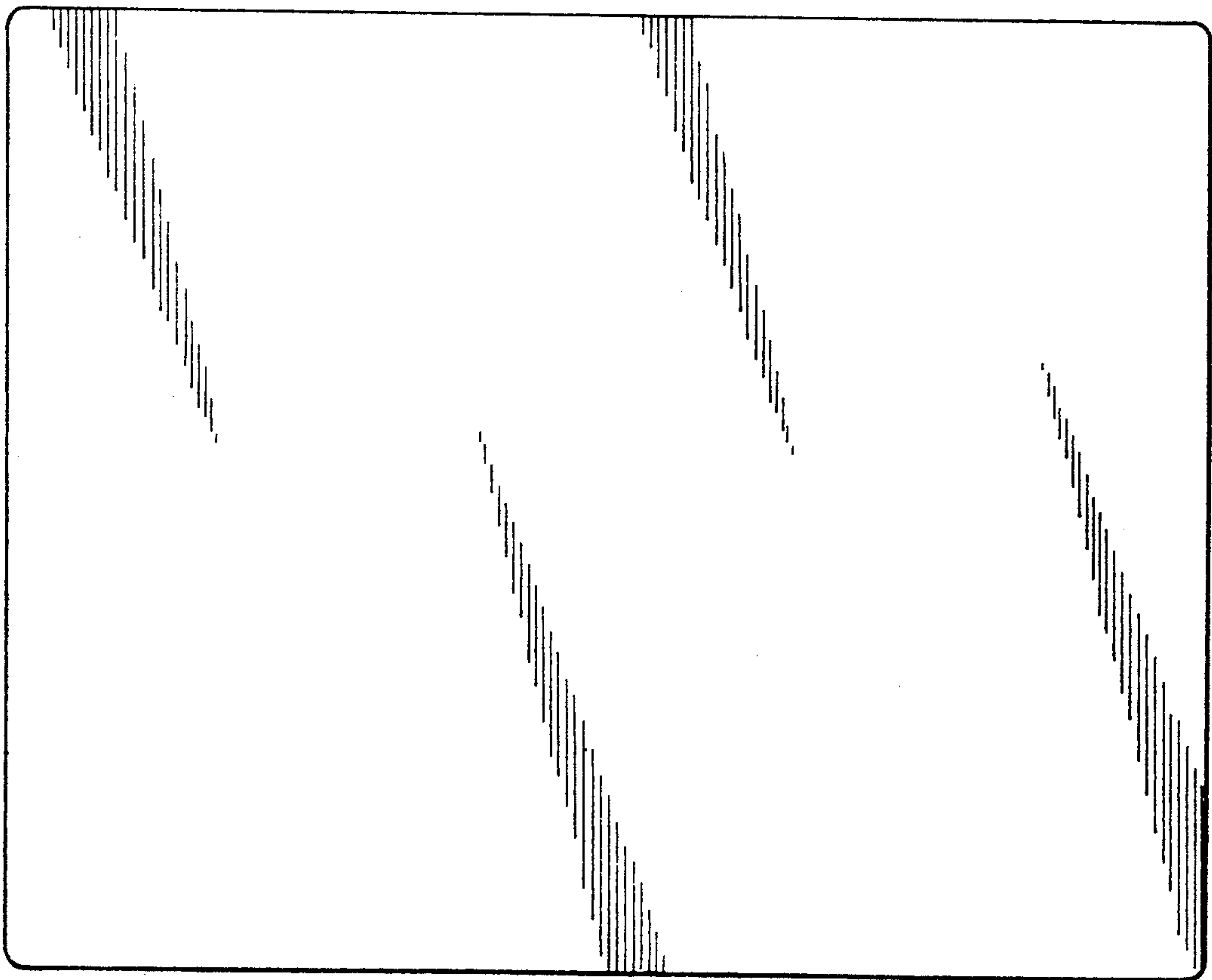


Fig. 12

UNITED STATES PATENT AND TRADEMARK OFFICE
CERTIFICATE OF CORRECTION

PATENT NO. : Des.332,187

DATED : January 5, 1993

INVENTOR(S) : David M. Stravitz

It is certified that error appears in the above-identified patent and that said Letters Patent is hereby corrected as shown below:

Tile page, item [56] References Cited,
under "U.S. PATENT DOCUMENTS",

"D.271,110" should read --D.272,110--.

Signed and Sealed this
Thirtieth Day of August, 1994

Attest:



BRUCE LEHMAN

Attesting Officer

Commissioner of Patents and Trademarks