



US00D332186S

United States Patent [19]
Bellaflares

[11] **Patent Number: Des. 332,186**
[45] **Date of Patent: ** Jan. 5, 1993**

[54] **PLANT STAND**

[76] **Inventor: Joseph Bellaflares, 29 Ladd Ave.,
Staten Island, N.Y. 10312**

[**] **Term: 14 Years**

[21] **Appl. No.: 541,357**

[22] **Filed: Jun. 21, 1990**

[52] **U.S. Cl. D6/404; D6/405;
D6/456; D6/476; D21/248**

[58] **Field of Search D6/403-405,
D6/450, 476, 456; D21/248; 47/39; 211/74, 77,
78; 472/45**

[56] **References Cited**

U.S. PATENT DOCUMENTS

D. 134,674	12/1942	Botham	D6/456
D. 252,970	9/1979	Gutkin	D6/456
D. 258,206	2/1981	Bourke	D6/456
D. 271,355	11/1983	Altman	D6/405
3,784,024	1/1974	Kristy	211/131
4,085,544	4/1978	Blake	47/39

FOREIGN PATENT DOCUMENTS

0241194	11/1964	Austria	47/39
728986	7/1932	France	.	
16719	11/1909	United Kingdom	.	

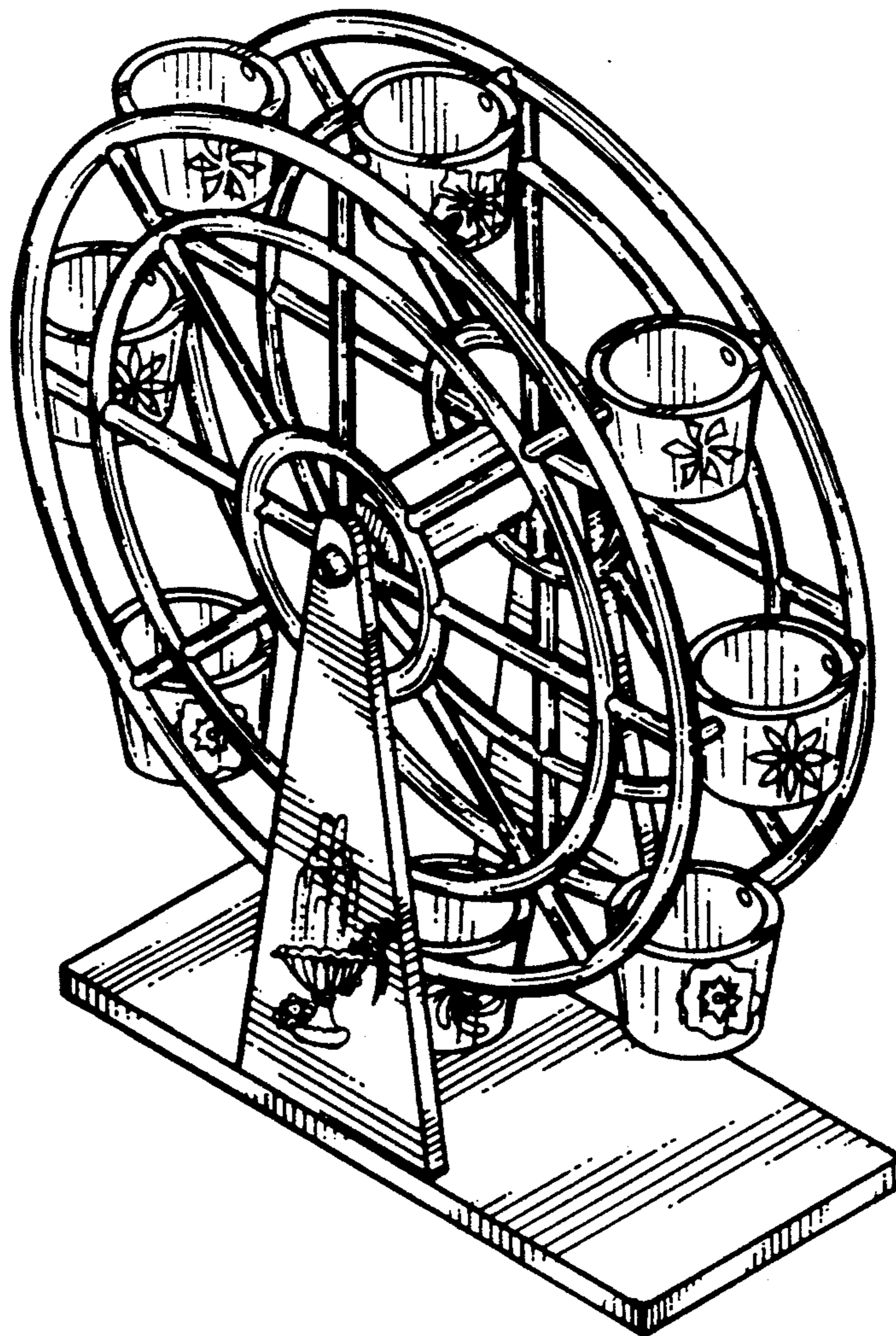
Primary Examiner—B. J. Bullock
Attorney, Agent, or Firm—Terry M. Gernstein

[57] **CLAIM**

The ornamental design for a plant stand, as shown and described.

DESCRIPTION

FIG. 1 is a perspective view of a plant stand embodying my new design;
FIG. 2 is a front elevational view thereof;
FIG. 3 is a rear elevational view thereof;
FIG. 4 is a side elevational view thereof;
FIG. 5 is a side elevational view opposite to that shown in FIG. 4;
FIG. 6 is a top plan view thereof; and,
FIG. 7 is a bottom plan view thereof.



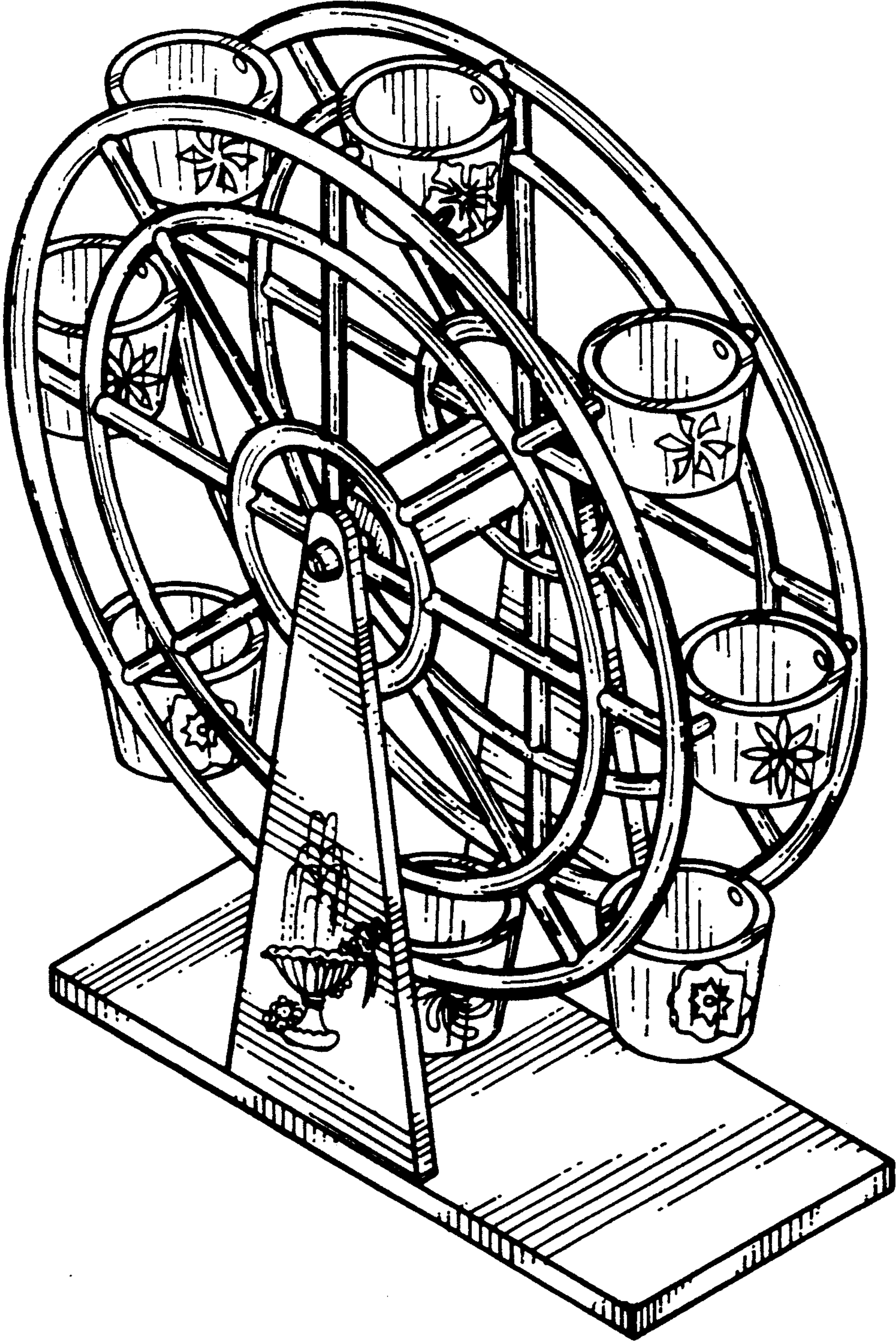


FIG. 1

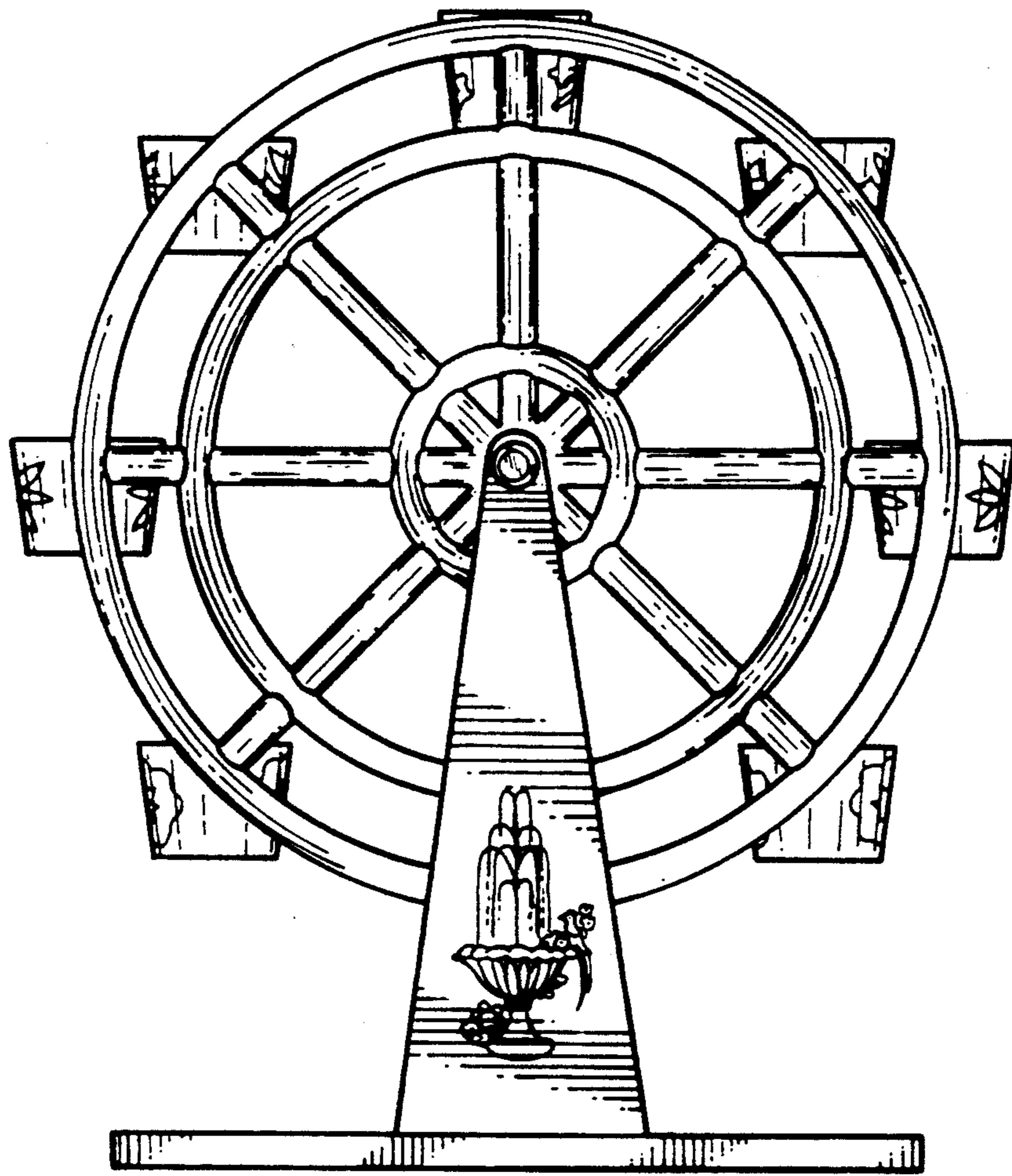


FIG. 2

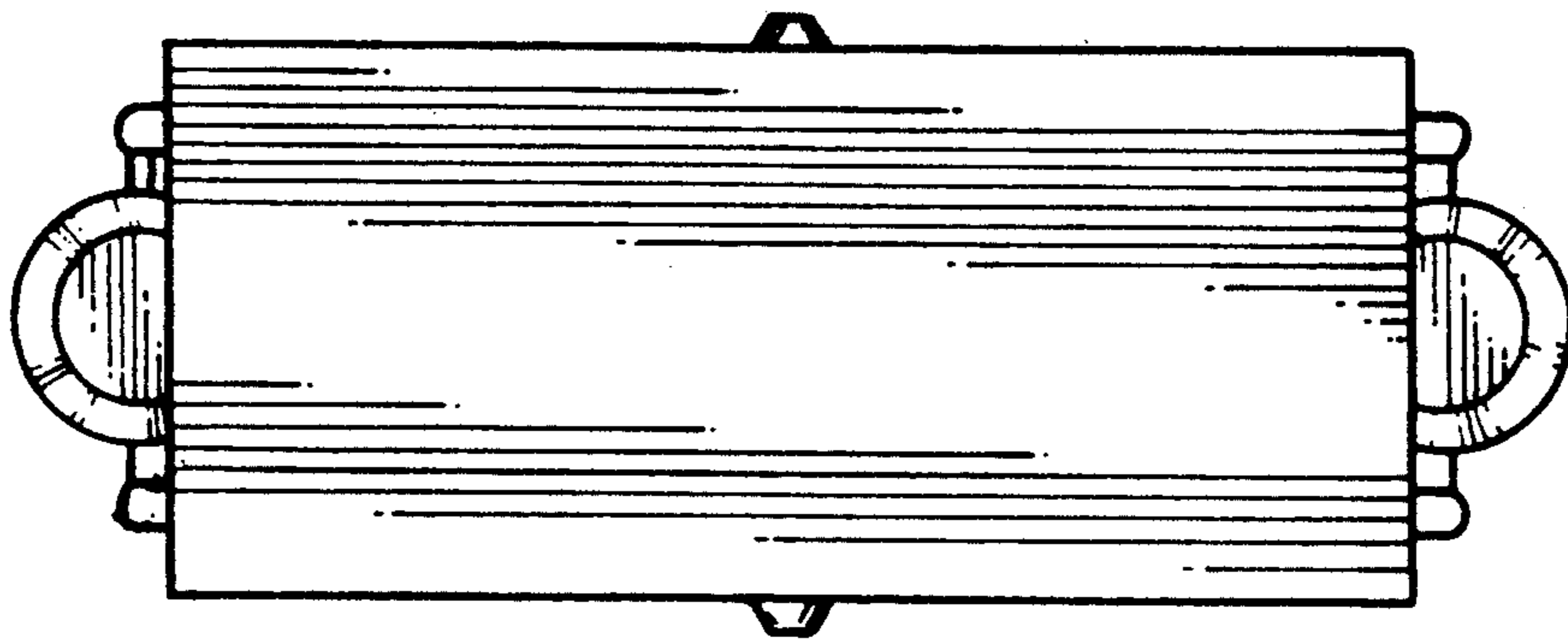


FIG. 7

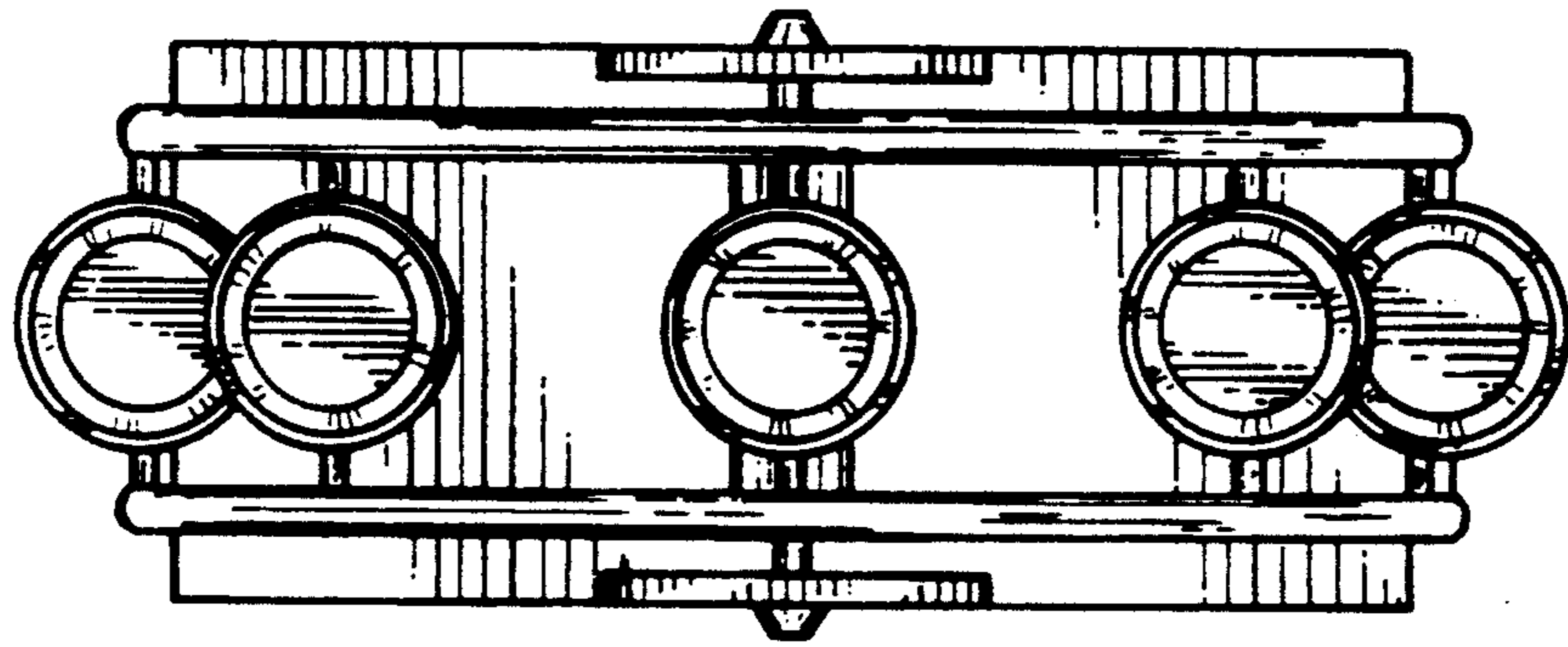


FIG. 6

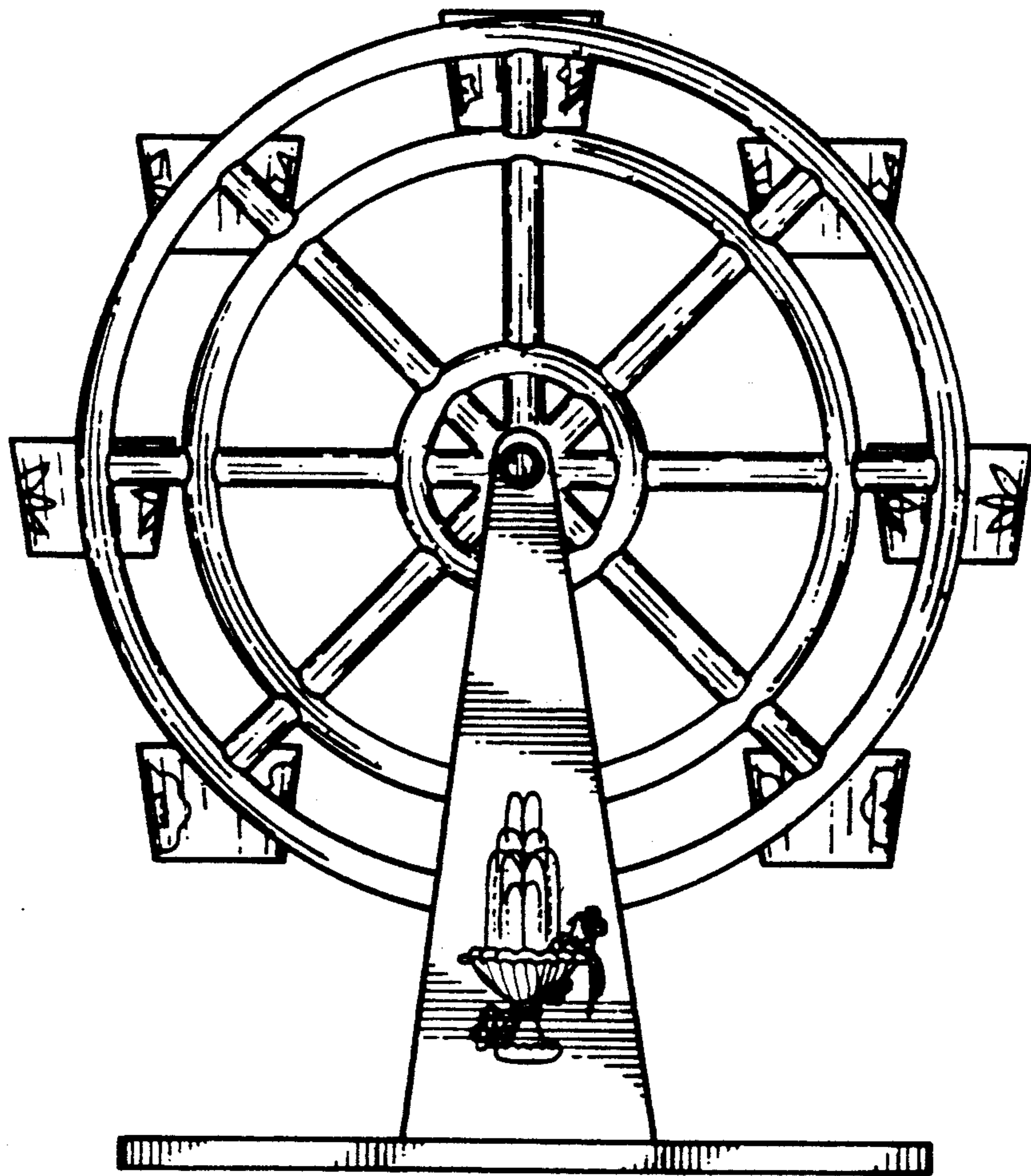


FIG. 3

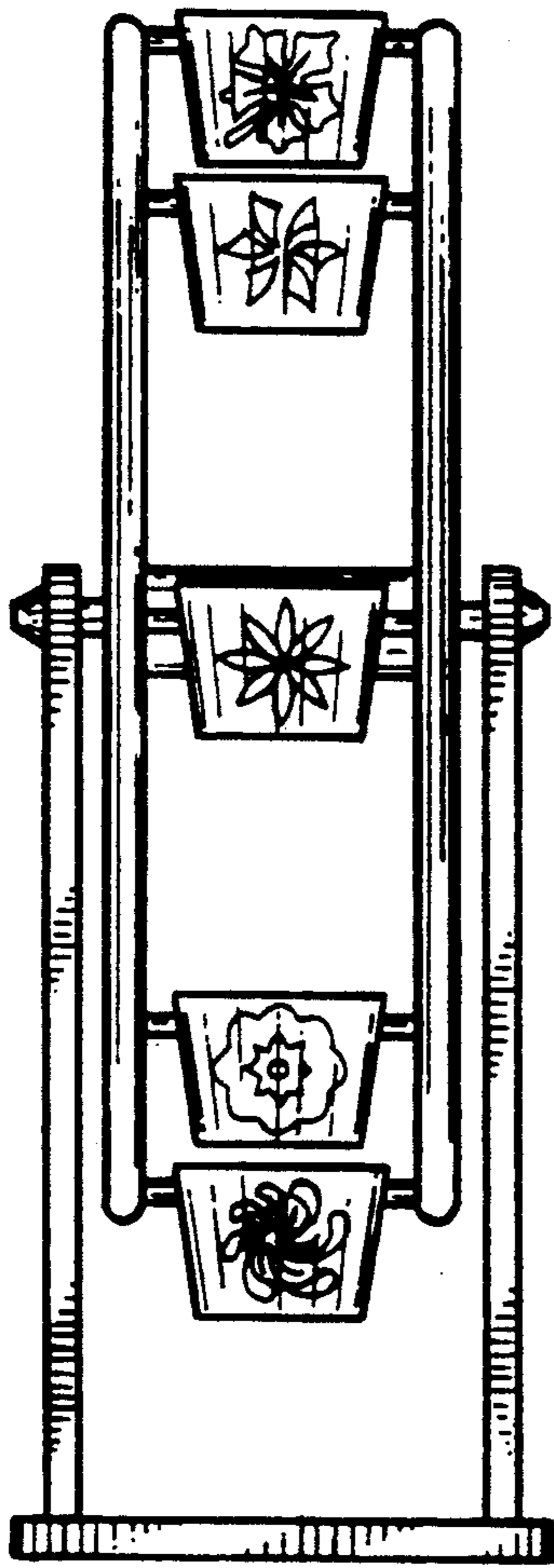


FIG. 4

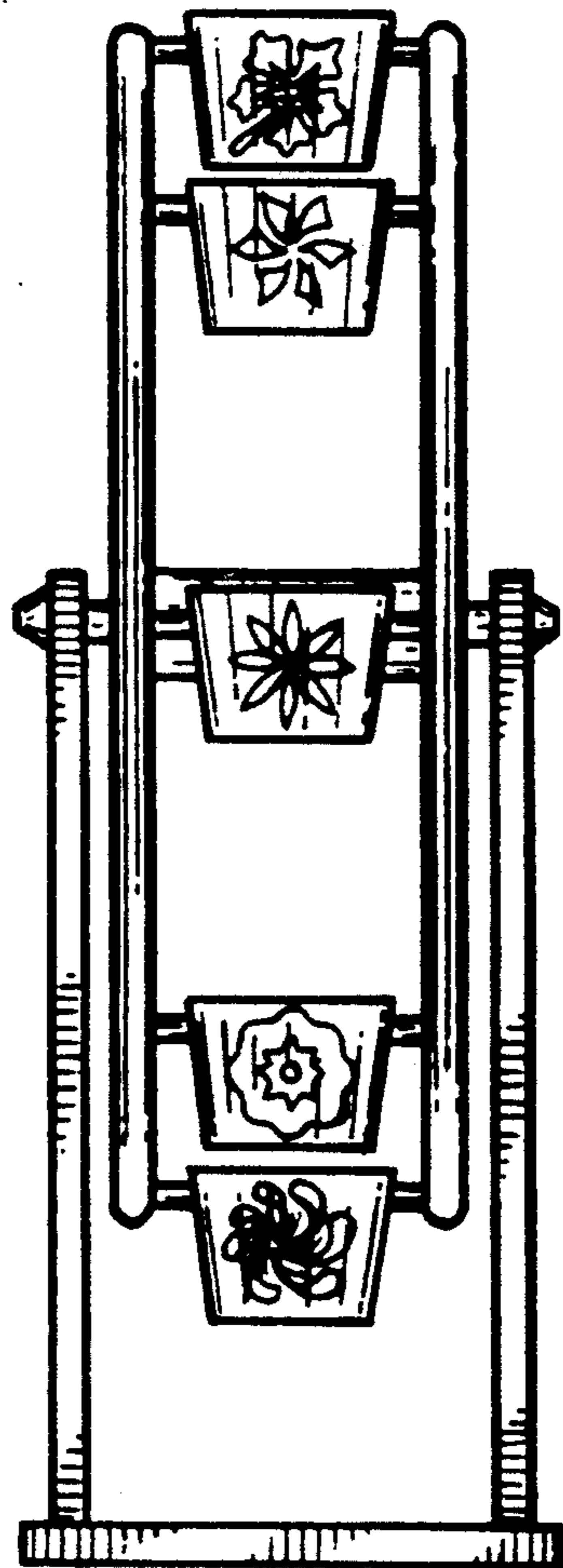


FIG. 5