



US00D332184S

United States Patent [19]

[11] Patent Number: **Des. 332,184**

Becker

[45] Date of Patent: **** Jan. 5, 1993**

[54] **SHOE BOX WITH INTEGRAL ERECTABLE DISPLAY STAND**

D. 297,015	9/1988	MacIvergan et al.	D9/432
D. 300,209	3/1989	Finsilver et al.	D9/431
D. 306,697	3/1990	Fonas	D9/432
3,785,254	1/1974	Mann	D9/432 X
5,106,047	4/1992	Baer	211/49.1 X

[75] Inventor: **Charles Becker, Marlboro, N.J.**

[73] Assignee: **E. S. Originals, Inc., New York, N.Y.**

[**] Term: **14 Years**

[21] Appl. No.: **581,656**

[22] Filed: **Sep. 13, 1990**

[52] U.S. Cl. **D6/397; D6/475; D9/432**

[58] **Field of Search** **D6/396, 397, 411, 414, D6/432, 436, 440, 443, 449, 463, 473, 470, 475, 476, 466, 467; D18/12; D19/90-92; D9/431, 432, 433, 457, 414, 341, 346; D3/30.1, 30.5; 211/13, 49.1, 34, 47; 248/174**

[56] **References Cited**

U.S. PATENT DOCUMENTS

D. 49,926	11/1916	Karpeles	D6/473
D. 121,440	7/1940	West	D6/470
D. 201,716	7/1965	Franklin	D6/476 X
D. 245,742	9/1977	Sullivan	D18/12
D. 271,402	11/1983	Sharber	D19/92
D. 286,618	11/1986	Kea et al.	D9/432 X

Primary Examiner—Carmen H. Vales-Lado
Assistant Examiner—Jeffrey Asch
Attorney, Agent, or Firm—Kirschstein, Ottinger, Israel & Schiffmiller

[57] **CLAIM**

The ornamental design for a shoe box with integral erectable display stand, as shown and described.

DESCRIPTION

FIG. 1 is an end, side and top perspective of a shoe box with integral erectable display stand showing my new design;
FIG. 2 is an end elevational view, the opposite end being the same in appearance;
FIG. 3 is a side elevational view, the opposite side being the same in appearance;
FIG. 4 is a top plan view, the bottom being plain and unornamented; and,
FIG. 5 is a top perspective view thereof with the integral display stand in collapsed condition.

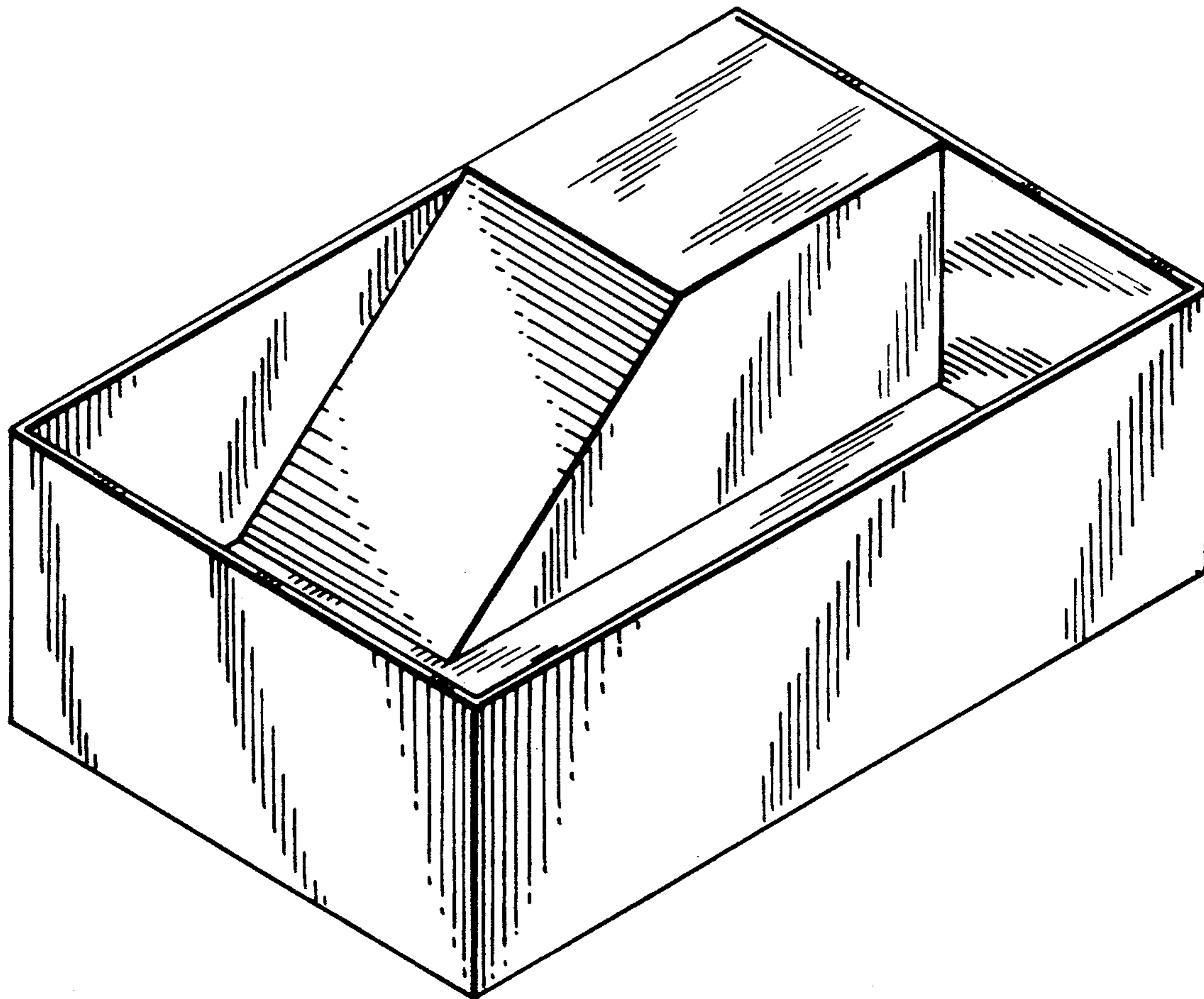


FIG. 1

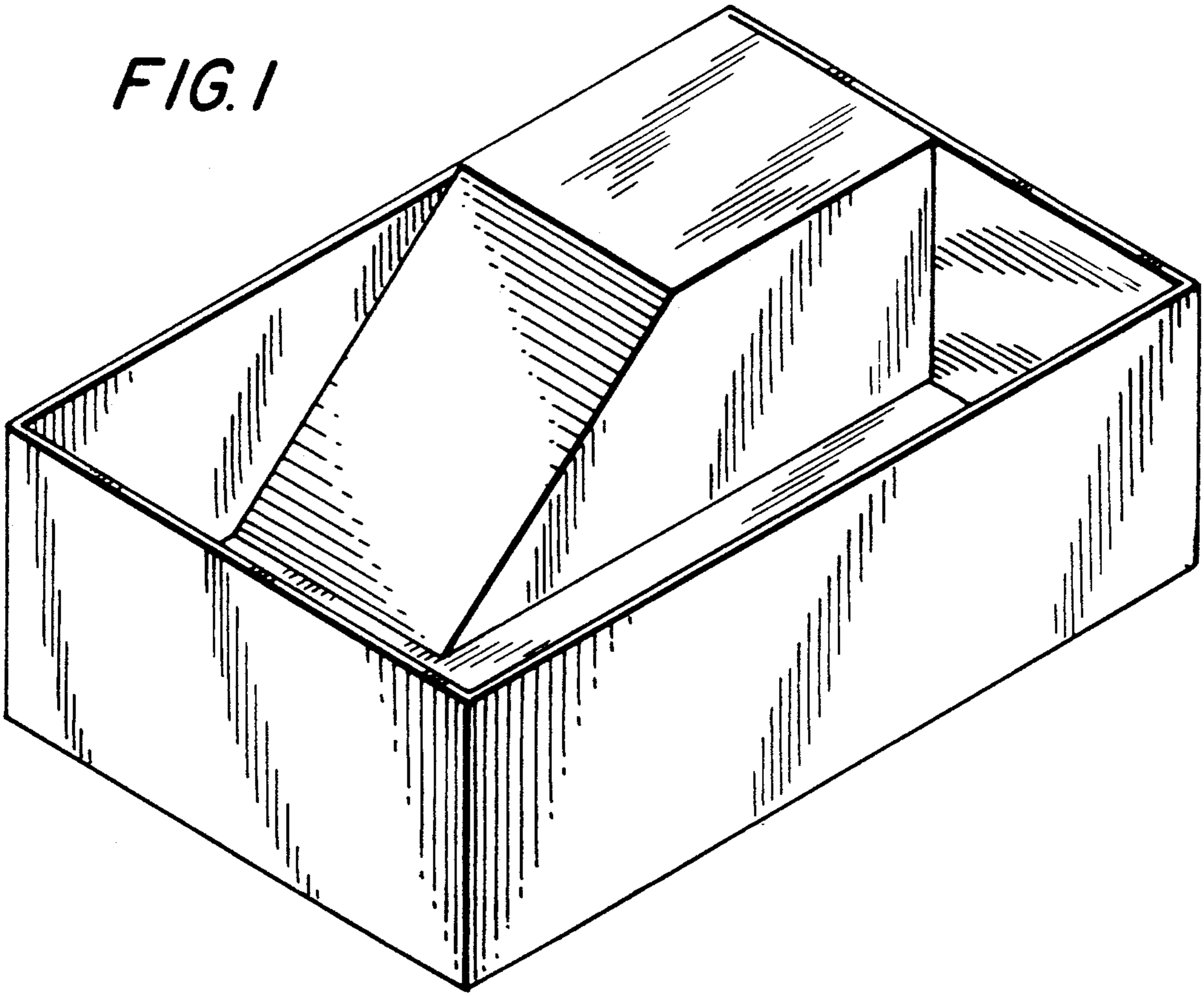


FIG. 2

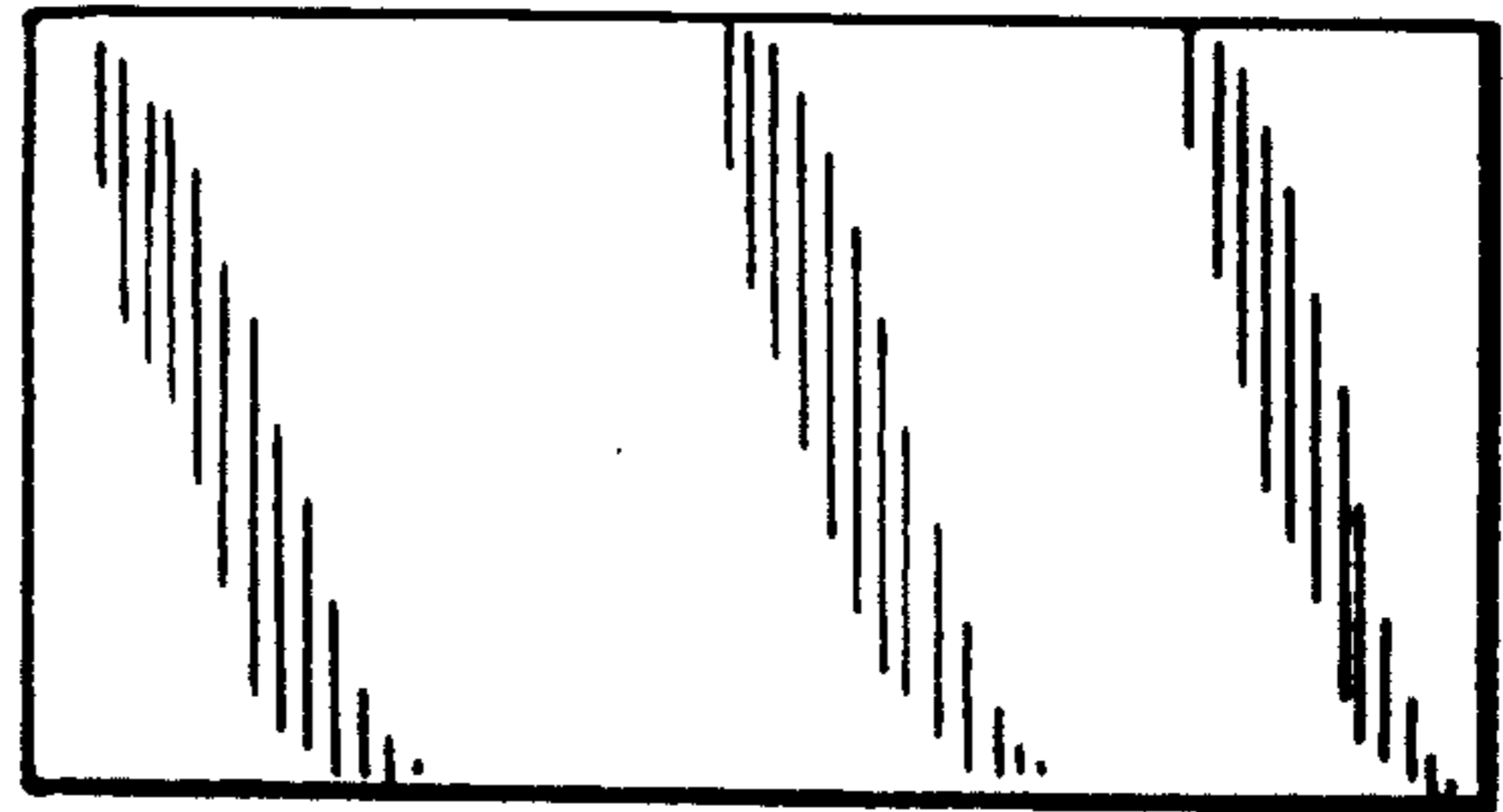


FIG. 3

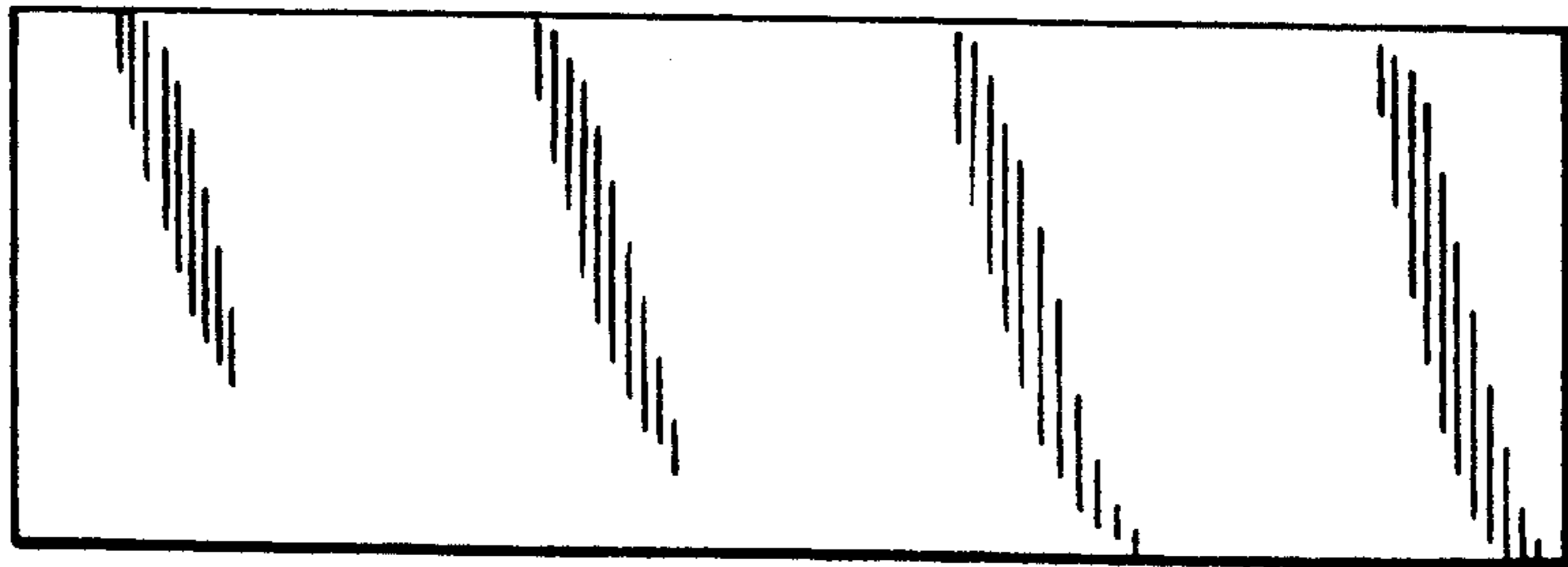


FIG. 4

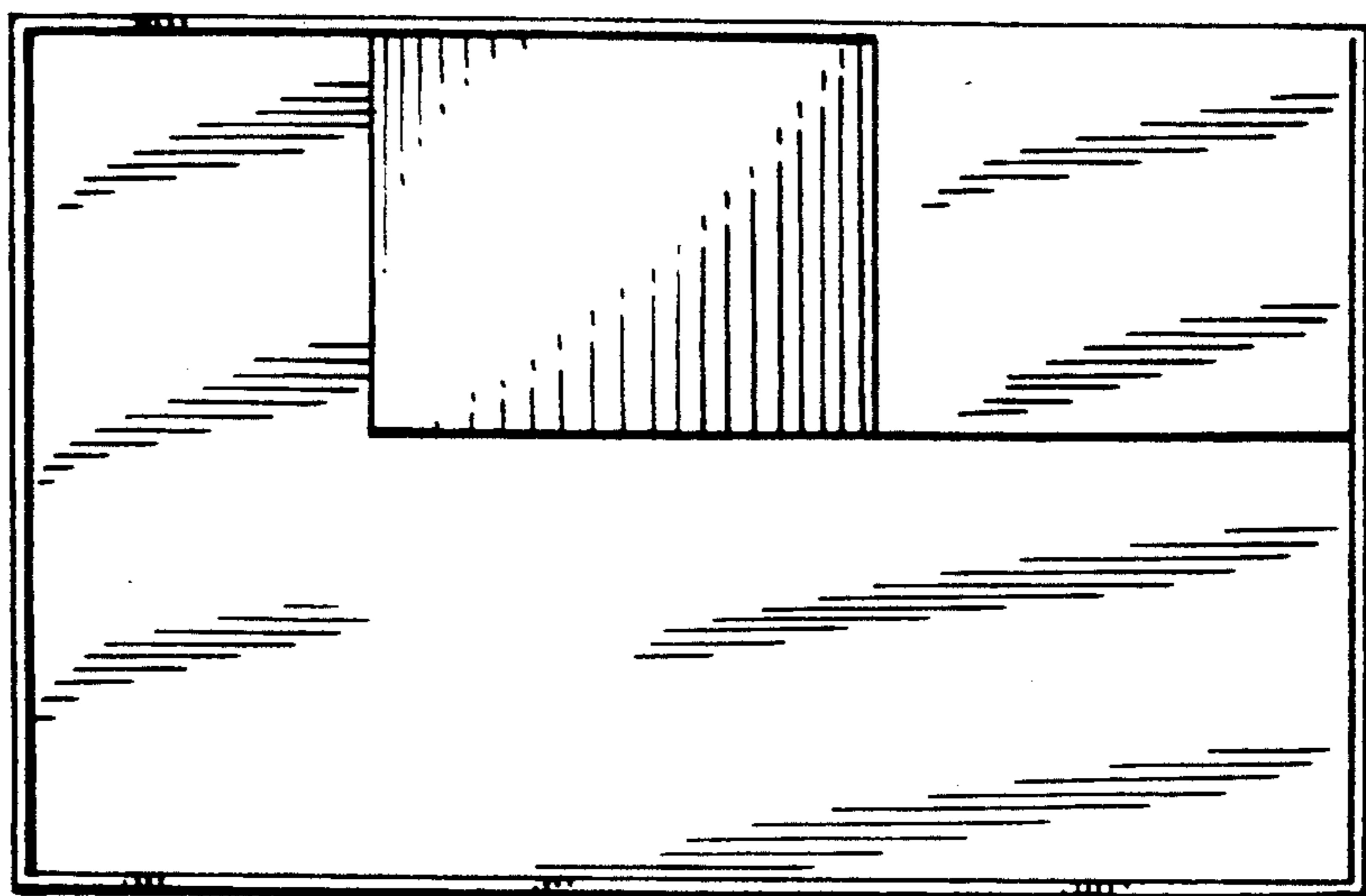


FIG. 5

