



US00D332171S

# United States Patent [19]

[11] Patent Number: **Des. 332,171**

Gudas et al.

[45] Date of Patent: **\*\* Jan. 5, 1993**

[54] A COMBINATION JACKET AND KNAPSACK

D. 323,237	1/1992	Zoltie	.....	D2/187
2,165,348	7/1939	Diaber	.....	D2/184
2,248,455	7/1941	Freund	.....	2/94
4,383,735	6/1983	McLaughlin	.....	2/94

[75] Inventors: **Celeste A. Gudas; Stuart T. Kagel; Thomas K. McNeil**, all of Pennington, N.J.

*Primary Examiner*—A. Hugo Word  
*Assistant Examiner*—Celia A. Murphy  
*Attorney, Agent, or Firm*—Marshall A. Lerner

[73] Assignee: **American Legacy Corporation**, Pennington, N.J.

[\*\*] Term: **14 Years**

[57] **CLAIM**

[21] Appl. No.: **545,535**

The ornamental design for a combination jacket and knapsack, as shown and described.

[22] Filed: **Jun. 27, 1990**

**DESCRIPTION**

[52] U.S. Cl. .... **D2/185; D2/183; D2/184; D2/191**

FIG. 1 is a rear perspective view of a combination jacket and knapsack showing our new design;

[58] Field of Search ..... **D2/183, 184, 185, 187, D2/190, 191; D29/10; 2/94, 102, 108, 115**

FIG. 2 is a front elevational view thereof;

[56] **References Cited**

**U.S. PATENT DOCUMENTS**

D. 153,438	4/1949	Kratz	.....	D2/191
D. 251,936	5/1979	Shaw	.....	D2/191
D. 261,070	10/1981	Pettibone	.....	D2/185
D. 266,880	11/1982	Luhtala	.....	D2/185
D. 277,049	1/1985	Peyser	.....	D2/184
D. 296,030	6/1988	Cressy-Renoma	.....	D2/183
D. 316,172	4/1991	Hanson	.....	D2/187

FIG. 3 is a right side elevational view of FIG. 2, the left side being a mirror image;

FIG. 4 is a rear elevational view of FIG. 2;

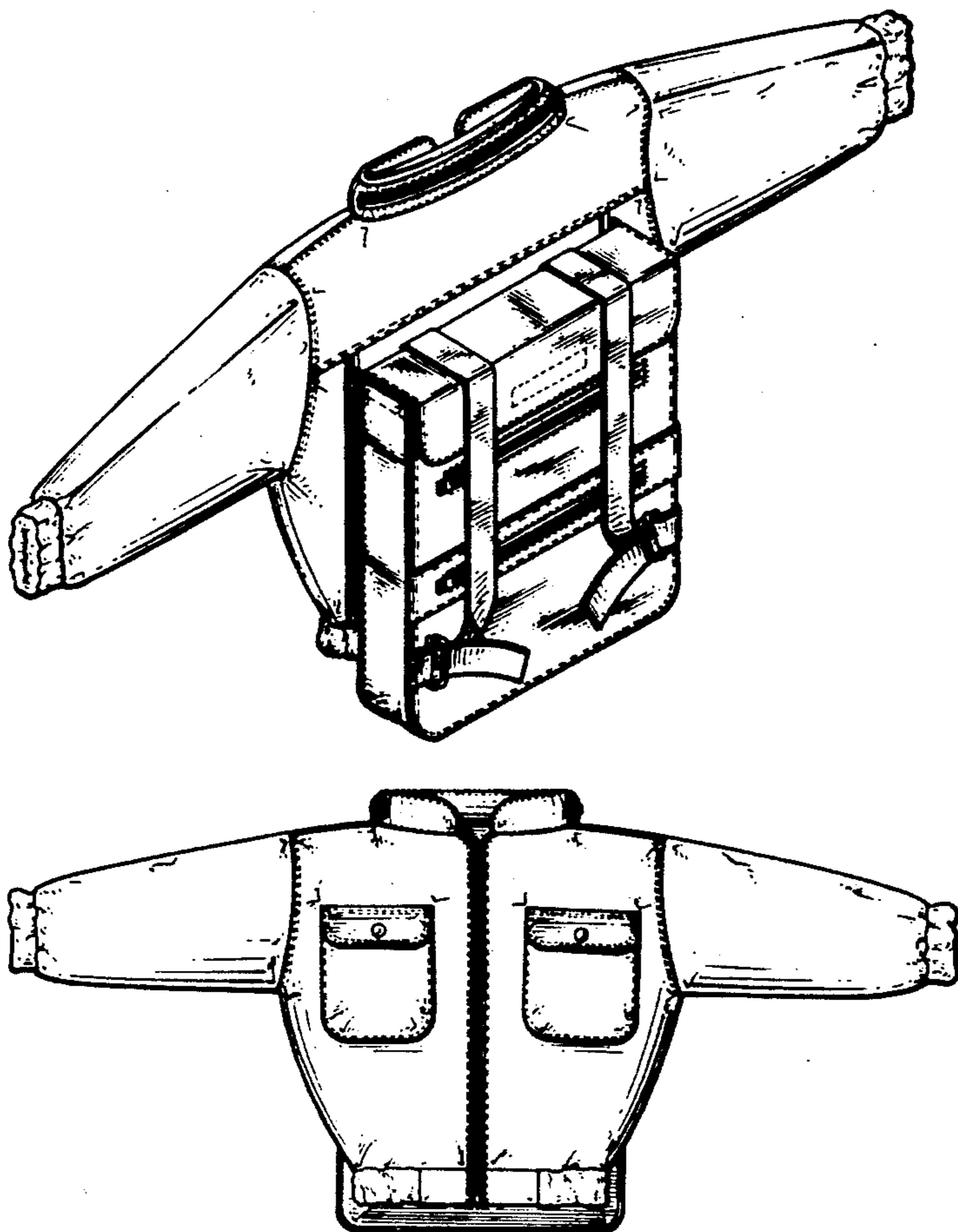
FIG. 5 is a top plan view of FIG. 2;

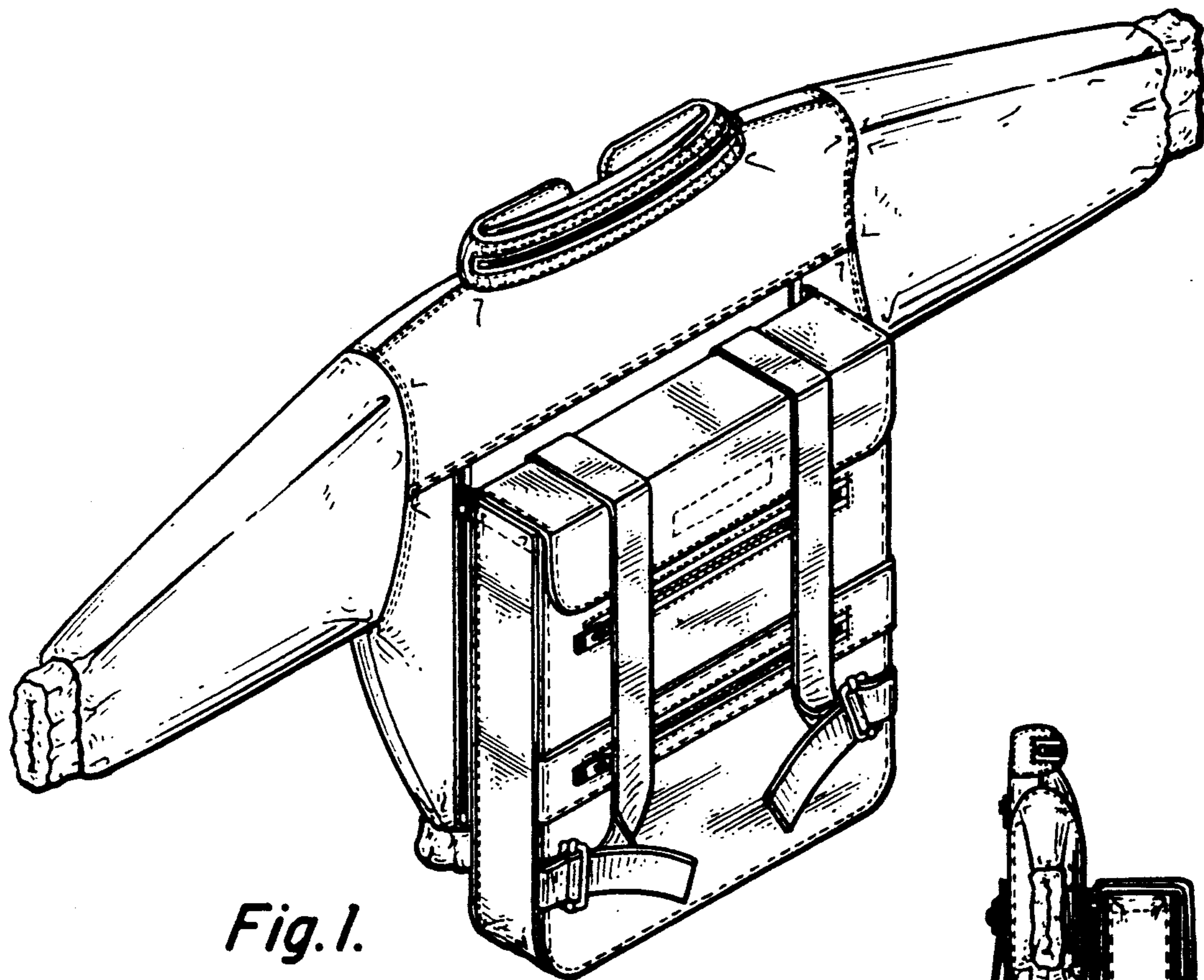
FIG. 6 is a bottom plan view of FIG. 2;

FIG. 7 is a rear perspective view of FIG. 1, the hood shown exposed; and,

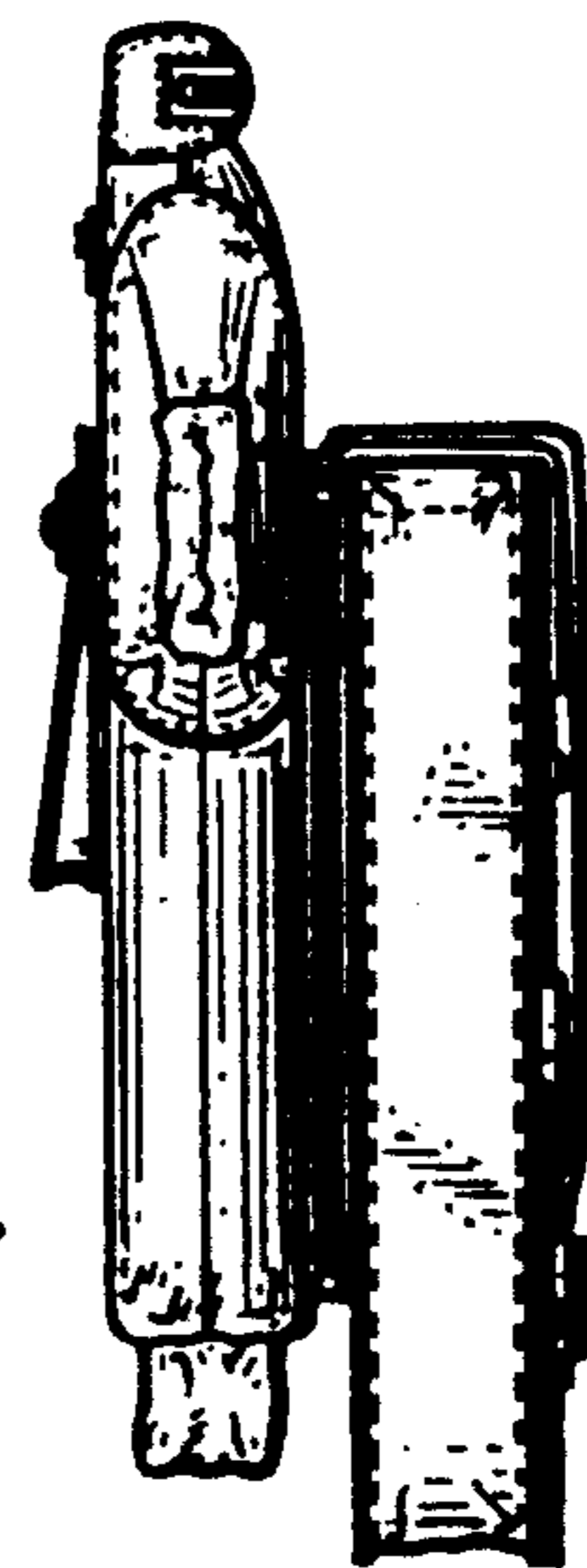
FIG. 8 is a rear perspective view of FIG. 1, the knapsack being removed.

The broken lines shown throughout the views are understood to represent conventional stitching.

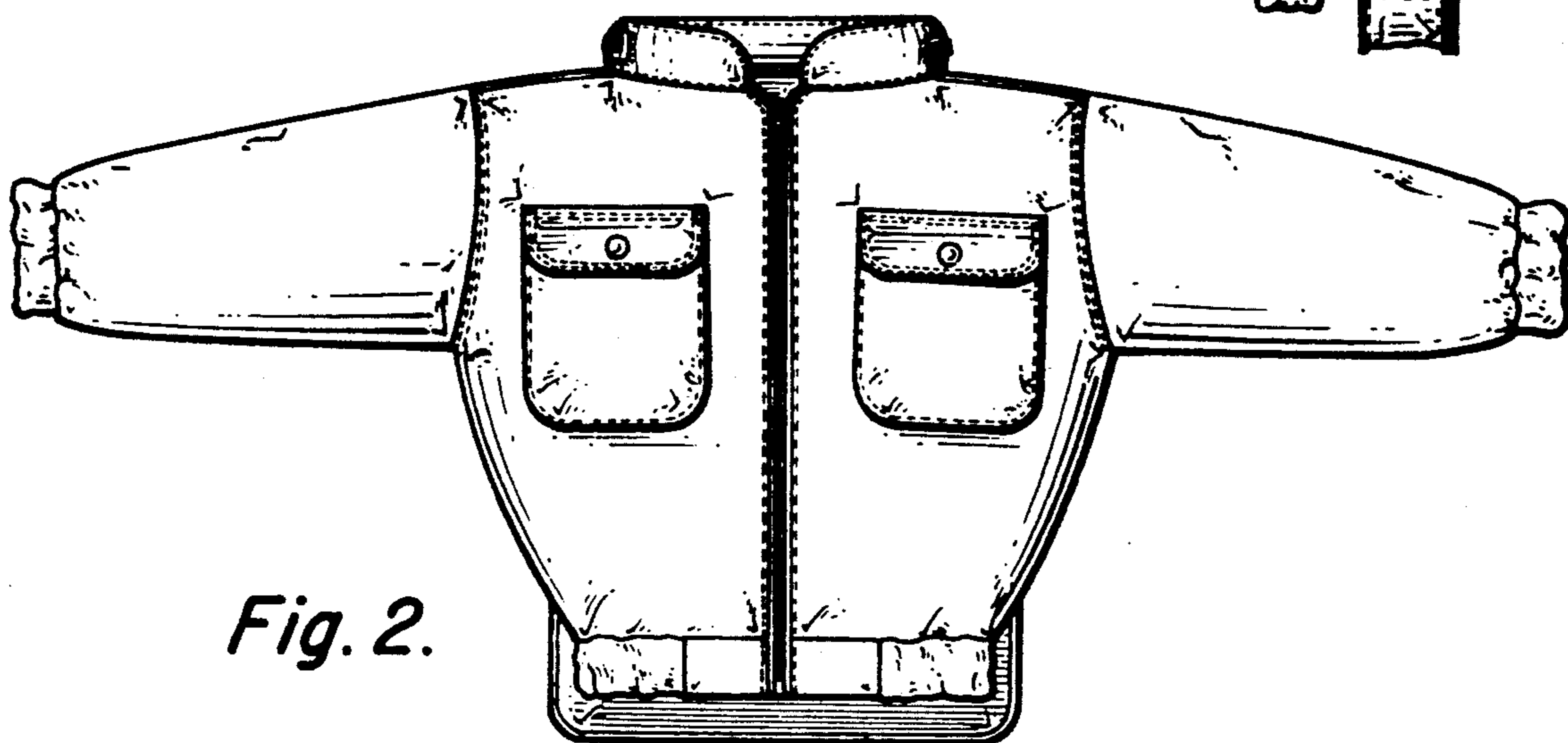




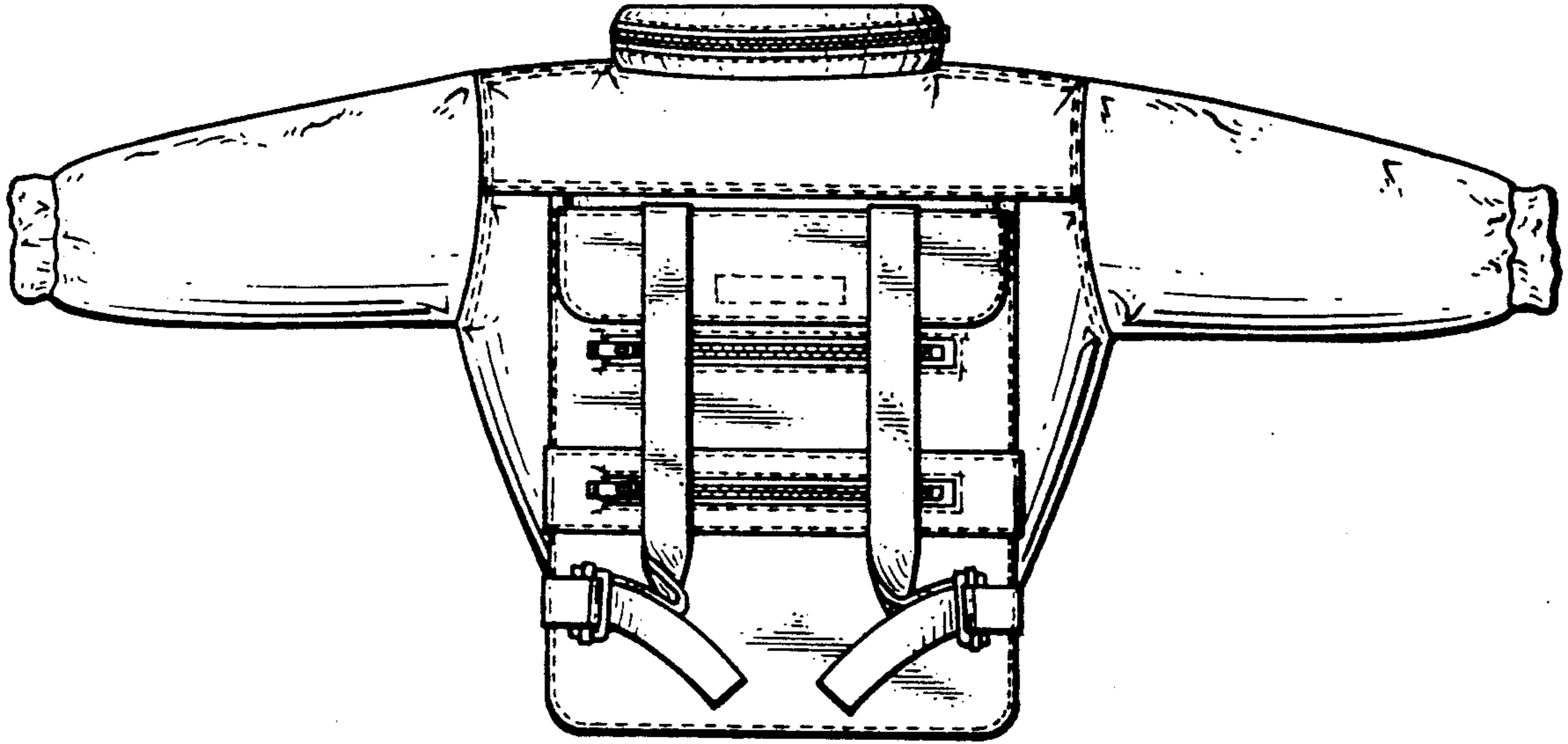
*Fig. 1.*



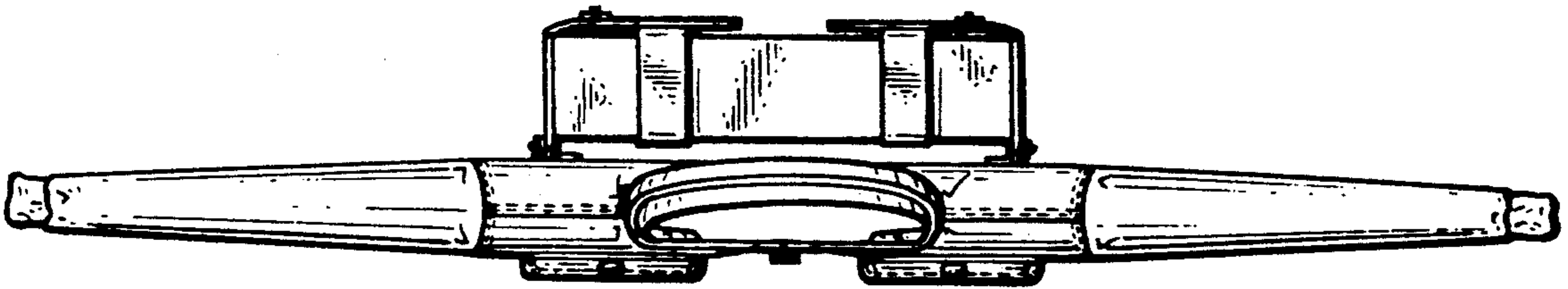
*Fig. 3.*



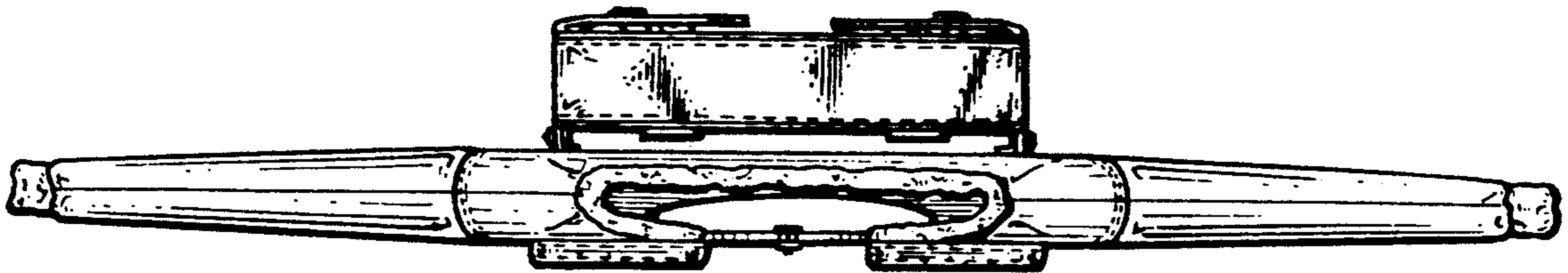
*Fig. 2.*



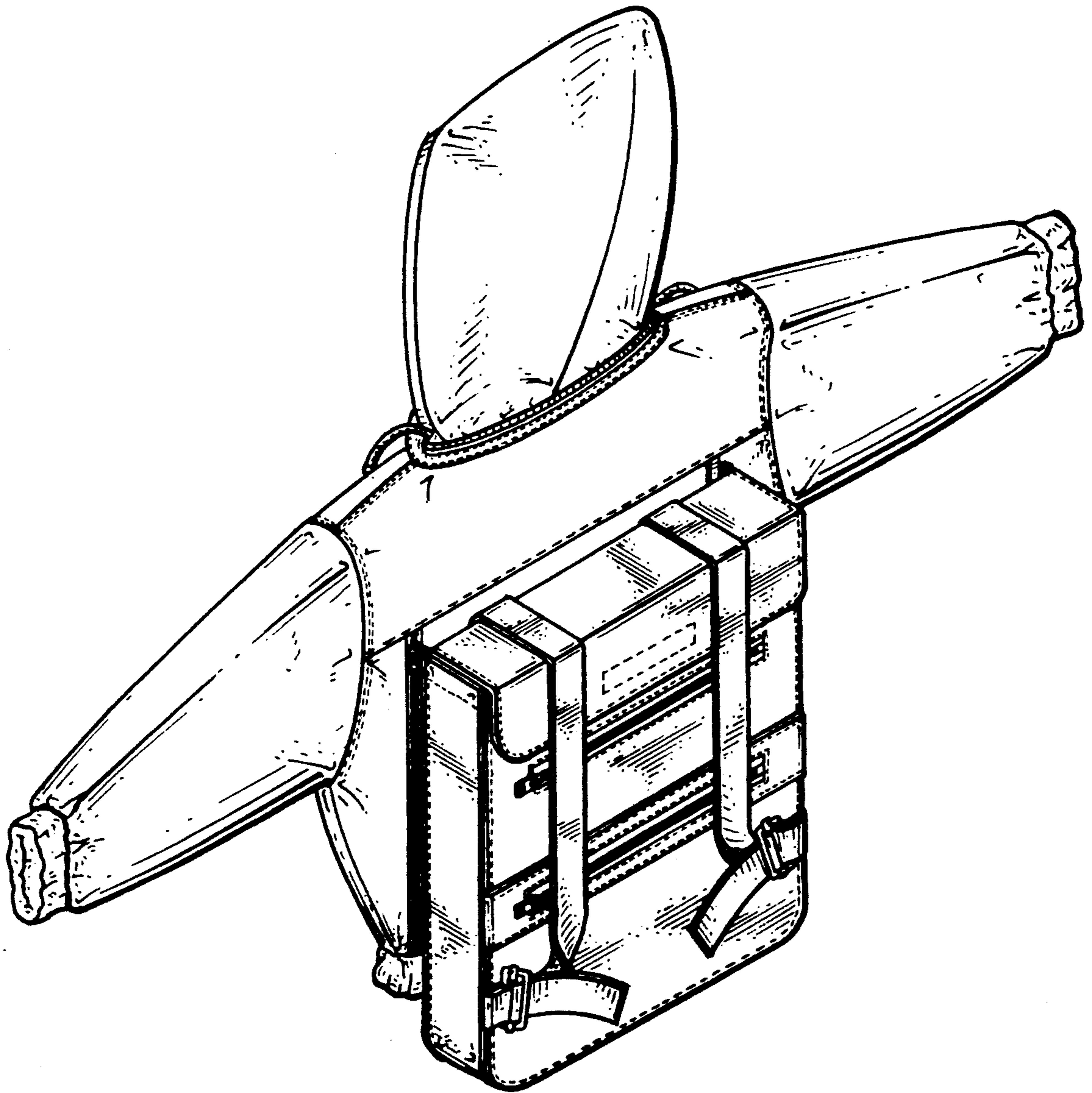
*Fig. 4.*



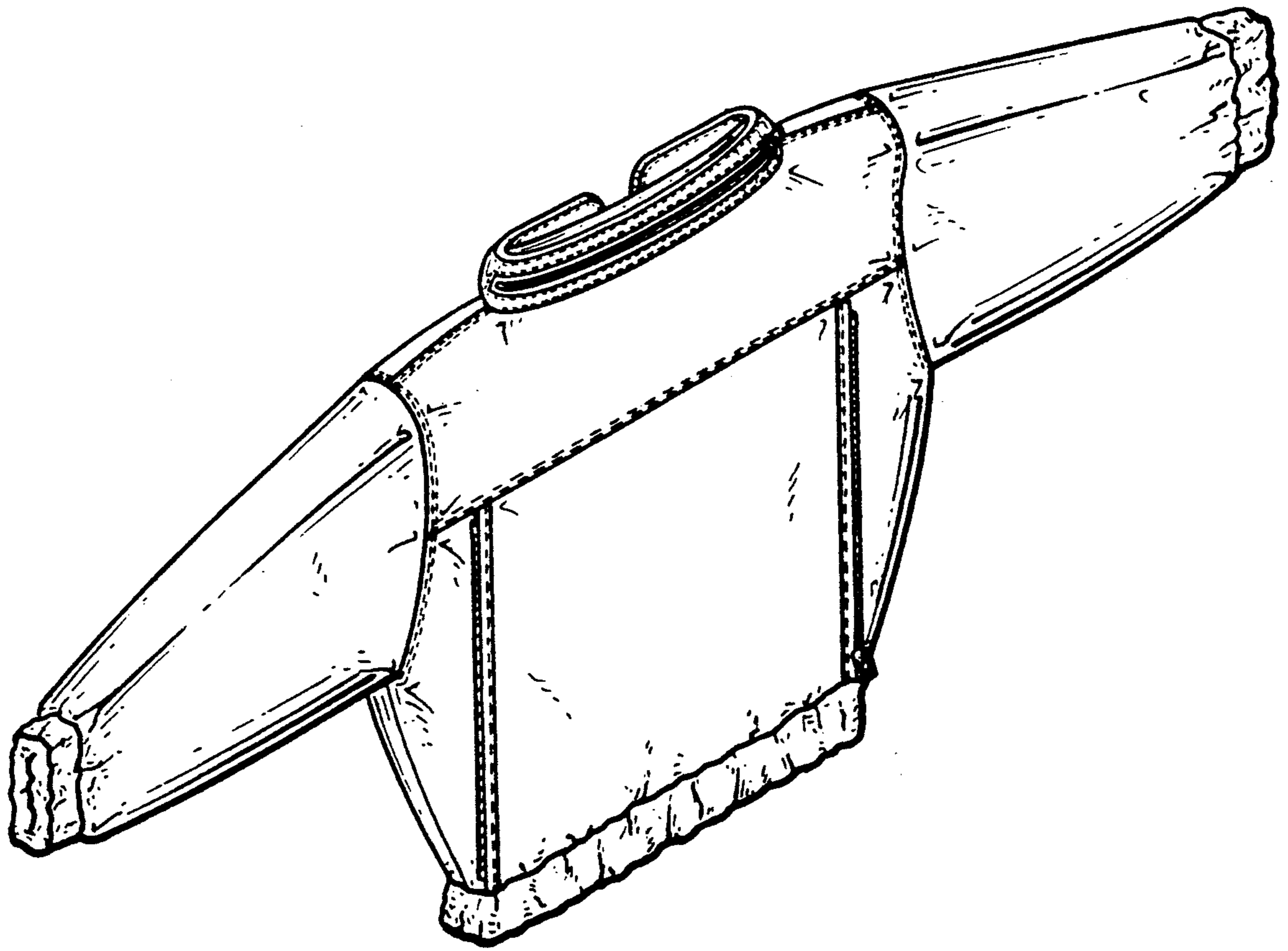
*Fig. 5.*



*Fig. 6.*



*Fig. 7.*



*Fig. 8.*