



US00D332168S

# United States Patent [19]

[11] Patent Number: Des. 332,168

Yu

[45] Date of Patent: \*\* Dec. 29, 1992

[54] COMBINED PIGGY BANK, CLOCK AND PENCIL HOLDER

D. 16,146 7/1885 Hart ..... D99/36  
D. 190,085 4/1961 Balch et al. .... D99/36  
D. 288,499 2/1987 Wan ..... D99/36

[75] Inventor: Sun I. Yu, Seoul, Rep. of Korea

Primary Examiner—Donald P. Walsh  
Assistant Examiner—Jeff Musgrove  
Attorney, Agent, or Firm—Christie, Parker & Hale

[73] Assignee: Goldstar Co., Ltd., Seoul, Rep. of Korea

[\*\*] Term: 14 Years

[57] CLAIM

[21] Appl. No.: 541,369

The ornamental design for combined piggy bank, clock and pencil holder, as shown and described.

[22] Filed: Jun. 21, 1990

DESCRIPTION

[30] Foreign Application Priority Data

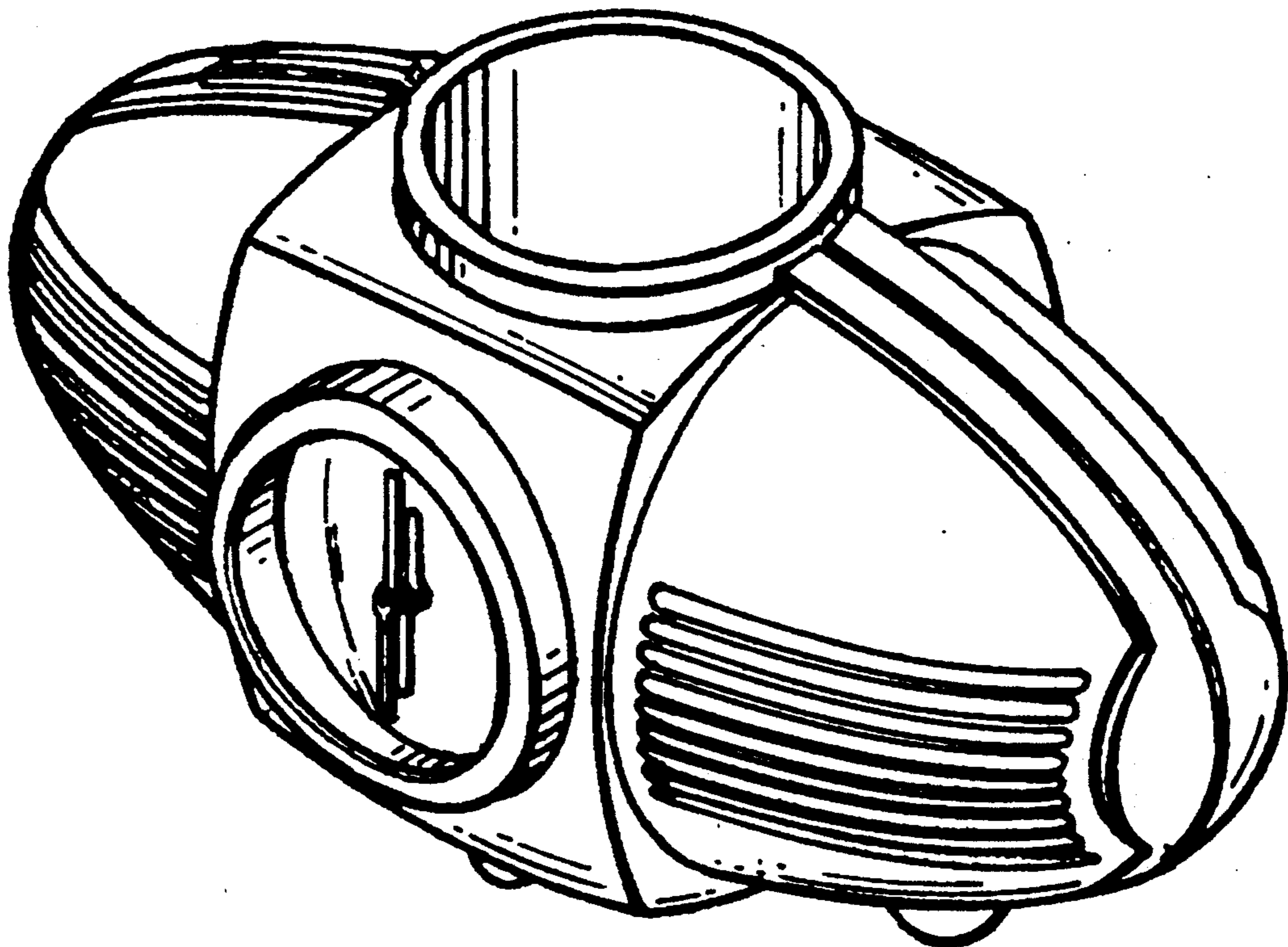
Apr. 20, 1990 [KR] Rep. of Korea ..... 5418/1990  
[52] U.S. Cl. .... D99/36; D10/2  
[58] Field of Search ..... D99/36, 34, 35;  
206/0.8, 0.081, 0.082, 0.083, 0.084

FIG. 1 is a top, front and right side perspective of a combination of a combination piggy bank, clock and pencil holder showing my new design;  
FIG. 2 is a top plan view thereof;  
FIG. 3 is a front elevational view thereof;  
FIG. 4 is a right side elevational view thereof;  
FIG. 5 is a rear elevational view thereof;  
FIG. 6 is a left side elevational view thereof;  
FIG. 7 is a bottom plan view thereof; and,  
FIG. 8 is a cross-sectional view at A—A of FIG. 3.

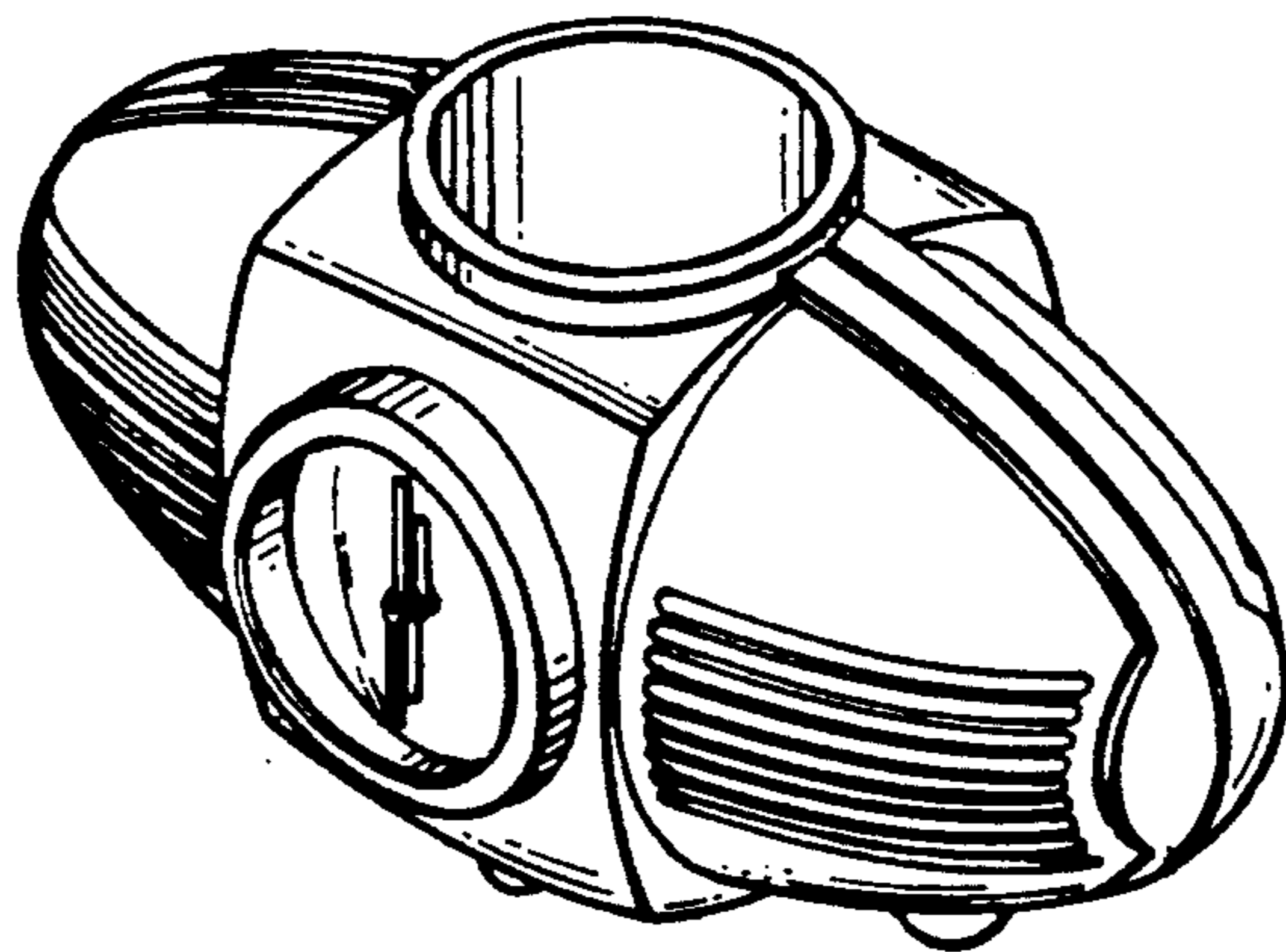
[56] References Cited

U.S. PATENT DOCUMENTS

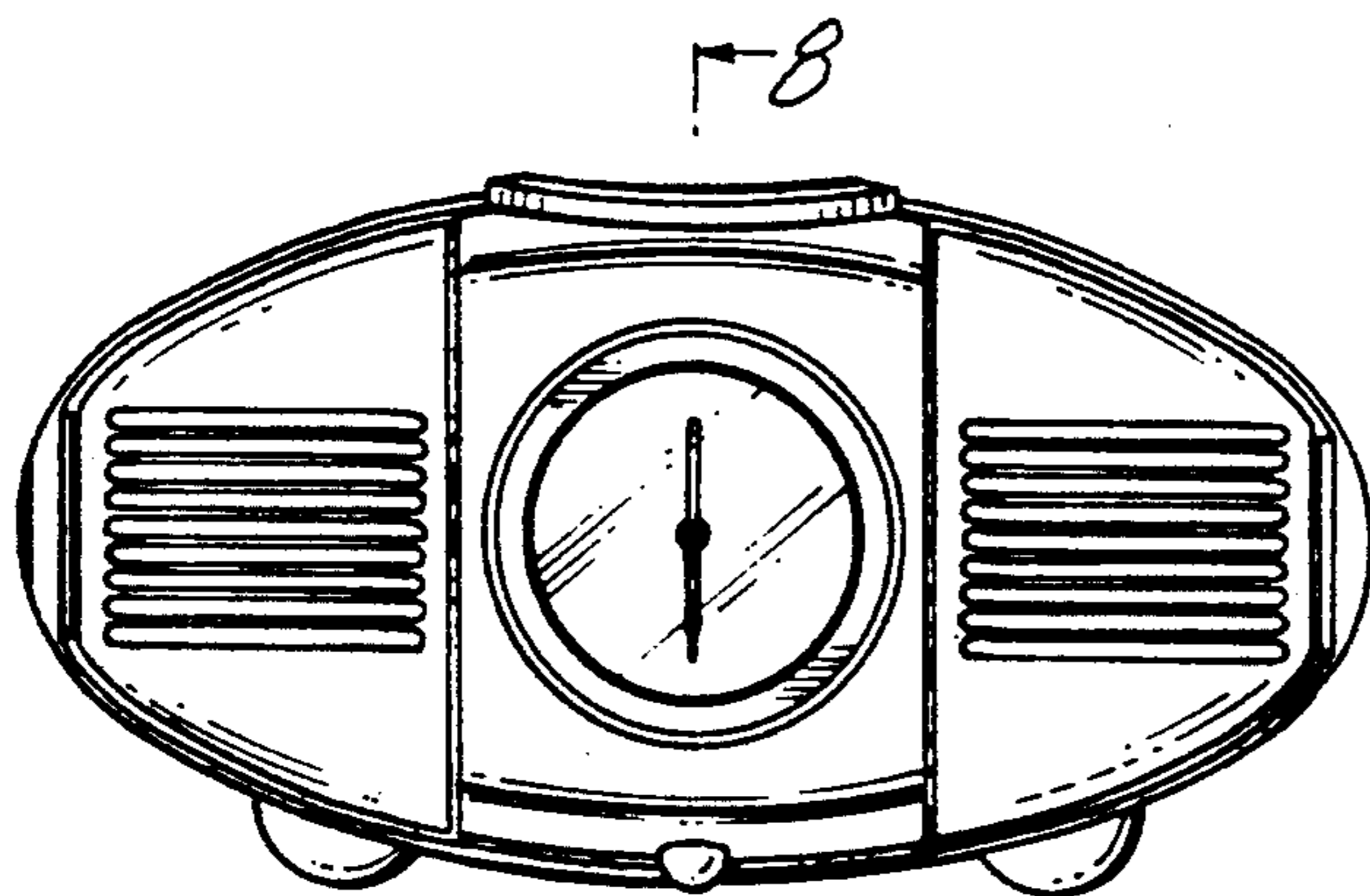
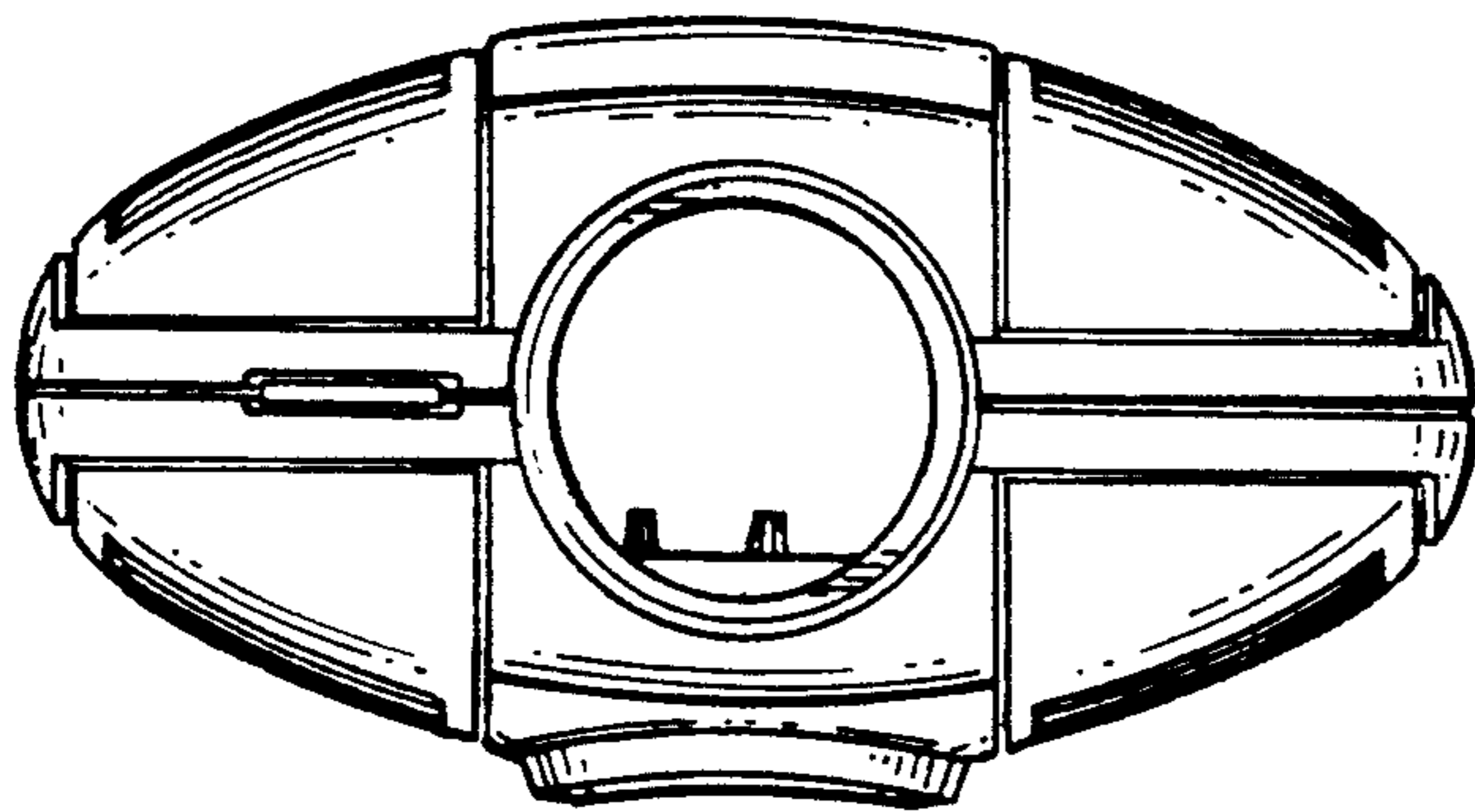
D. 3,780 12/1868 Kroeber ..... D10/2



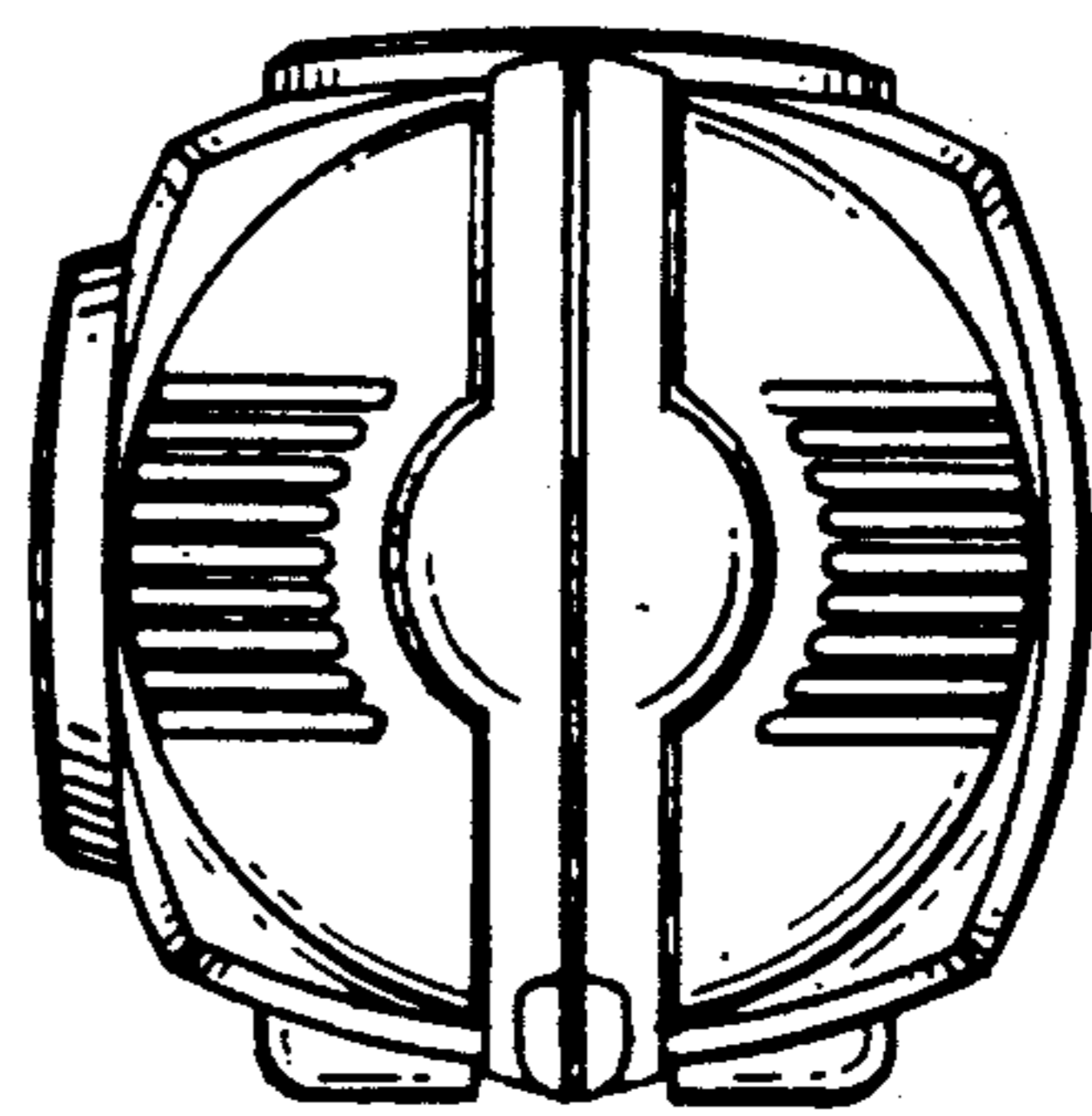
*Fig. 1*



*Fig. 2*

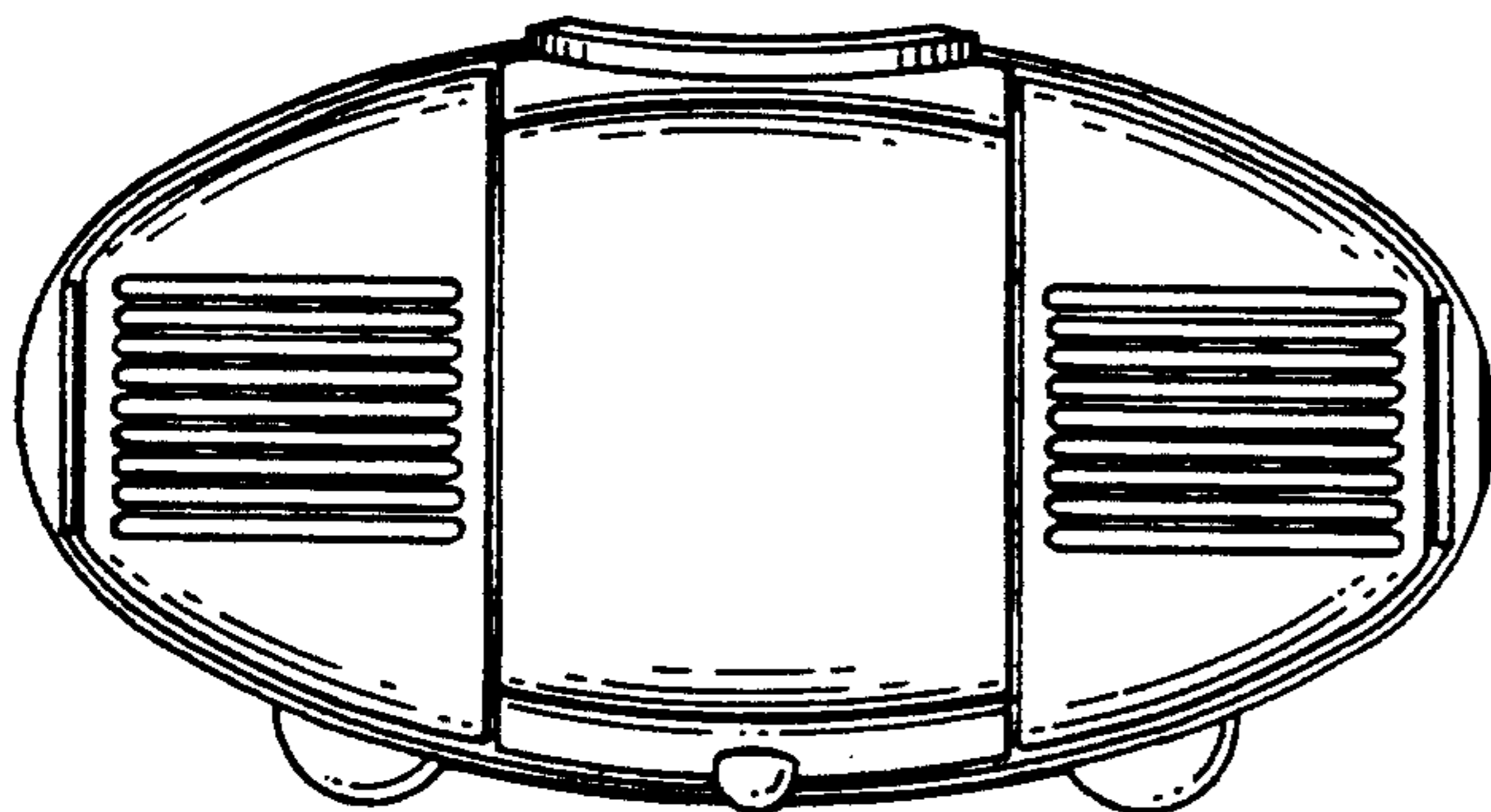


*Fig. 3*

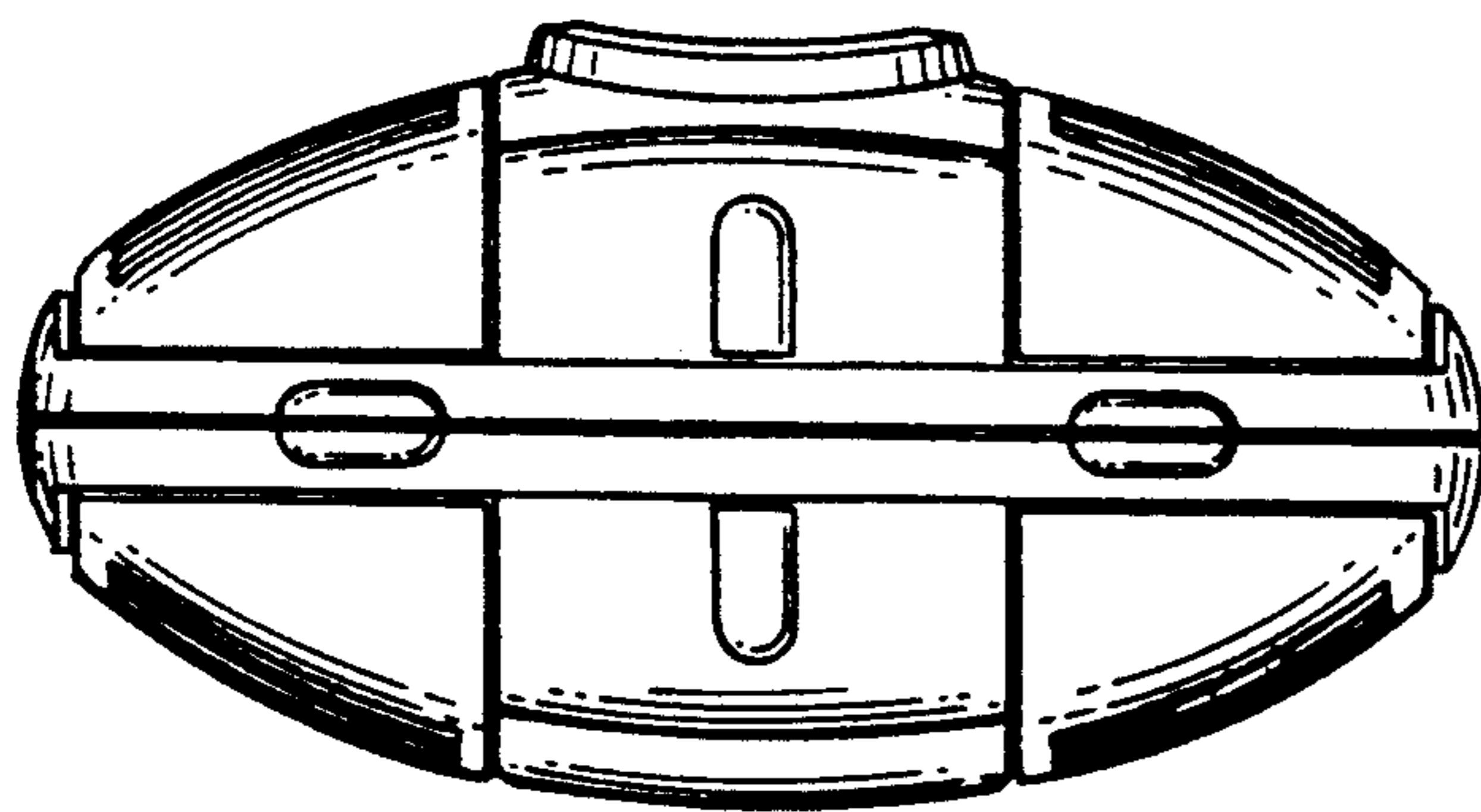
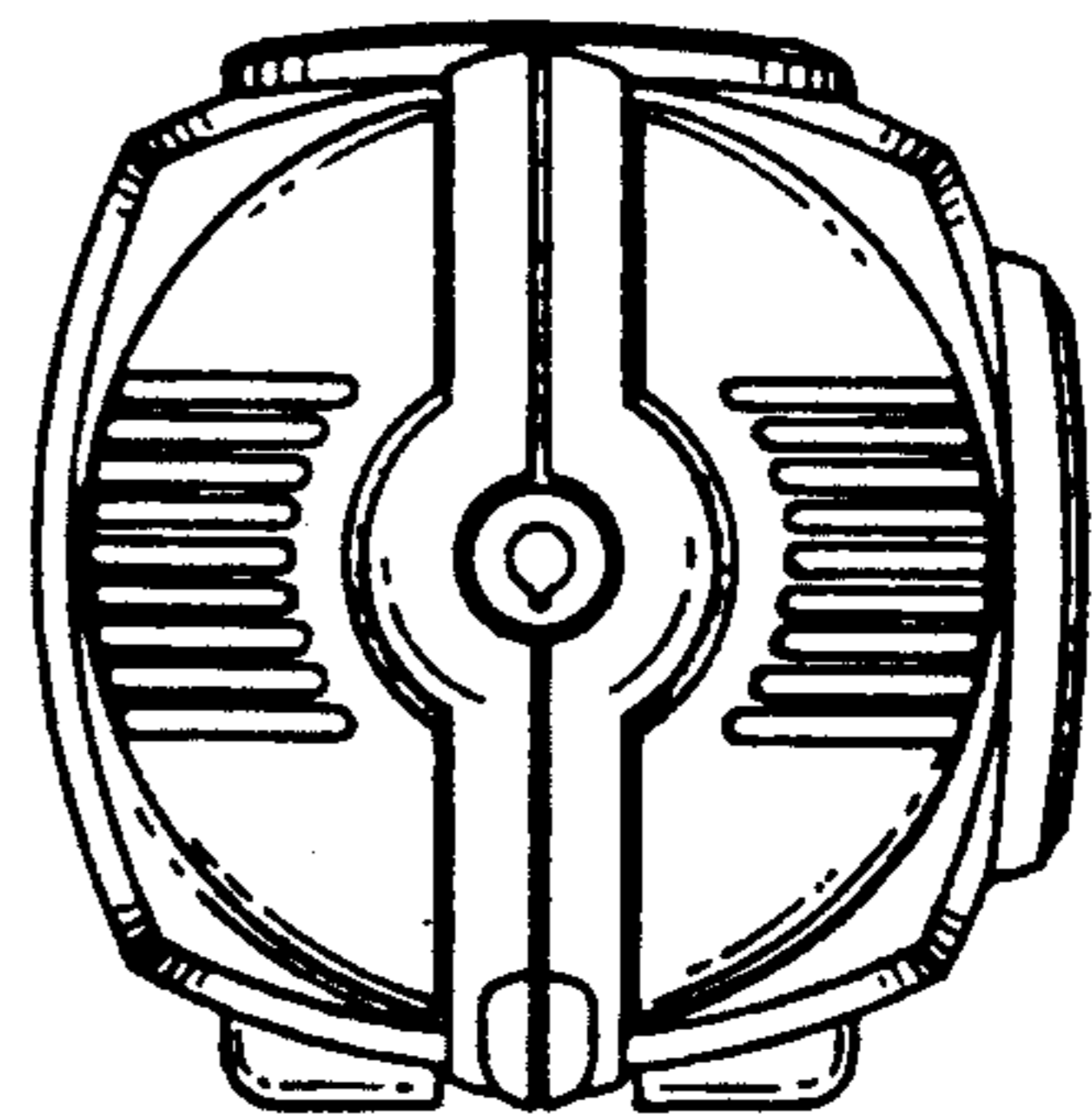


*Fig. 4*

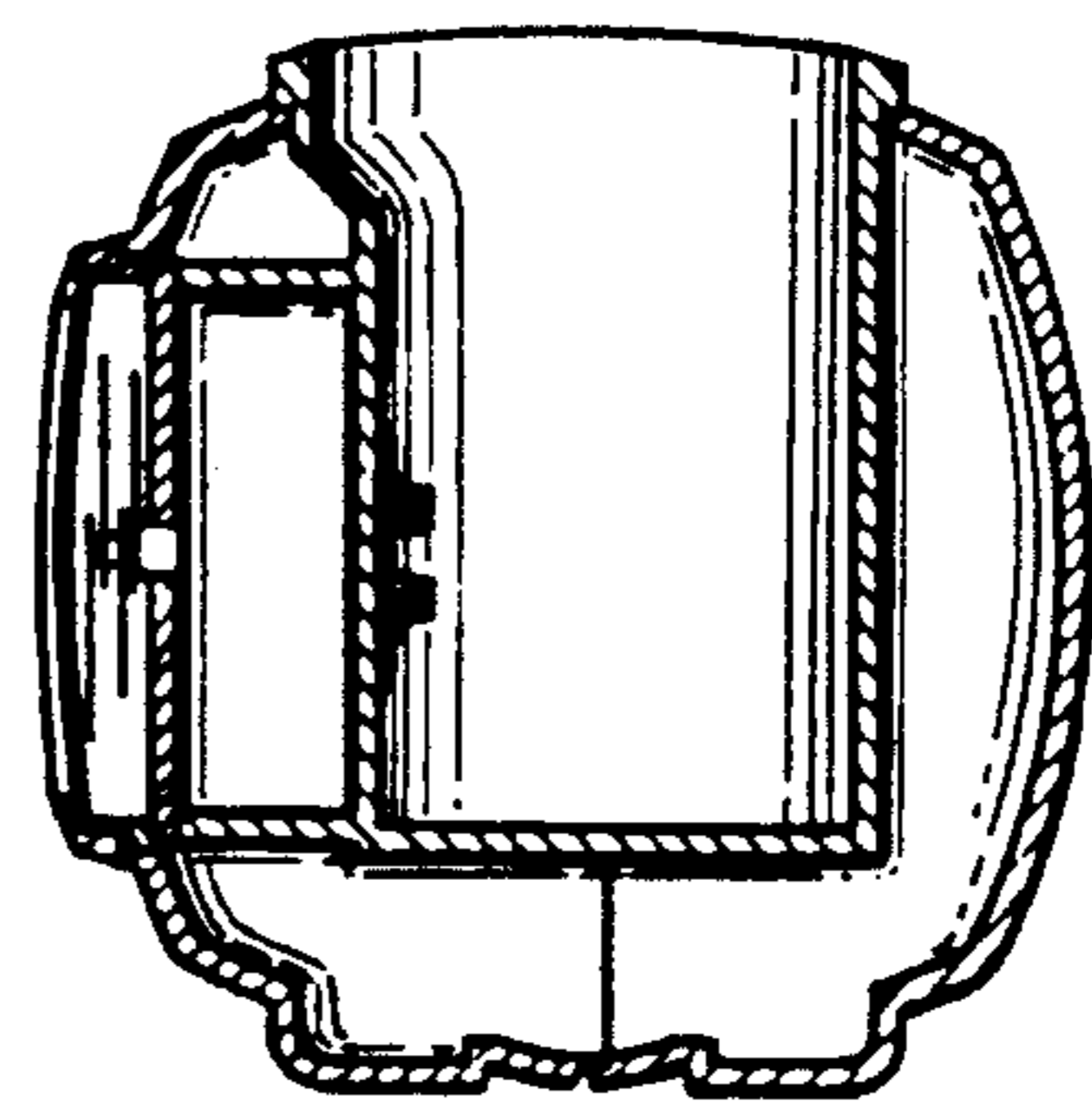
*Fig. 5*



*Fig. 6*



*Fig. 7*



*Fig. 8*