



US00D332163S

United States Patent [19]
Appelhof

[11] **Patent Number: Des. 332,163**
[45] **Date of Patent: ** Dec. 29, 1992**

[54] **VERMICOMPOSTING CONTAINER**

[76] **Inventor: Mary Appelhof, 10332 Shaver Rd., Kalamazoo, Mich. 49002**

[**] **Term: 14 Years**

[21] **Appl. No.: 649,803**

[22] **Filed: Feb. 1, 1991**

[52] **U.S. Cl. D34/7; D8/1**

[58] **Field of Search D34/1-11; 220/908, 501, DIG. 27; 52/245, 169.5, 192; 47/83, 82, 9; D8/1**

[56] **References Cited**

U.S. PATENT DOCUMENTS

3,847,299	11/1974	Page	220/DIG. 27
4,060,945	12/1977	Wilson	52/245
4,108,609	8/1978	Petzinger	220/501
4,683,674	8/1987	Faul	52/245
4,892,221	1/1990	Gora et al.	220/343

Primary Examiner—Kay H. Chin

Attorney, Agent, or Firm—Flynn, Thiel, Boutell & Tanis

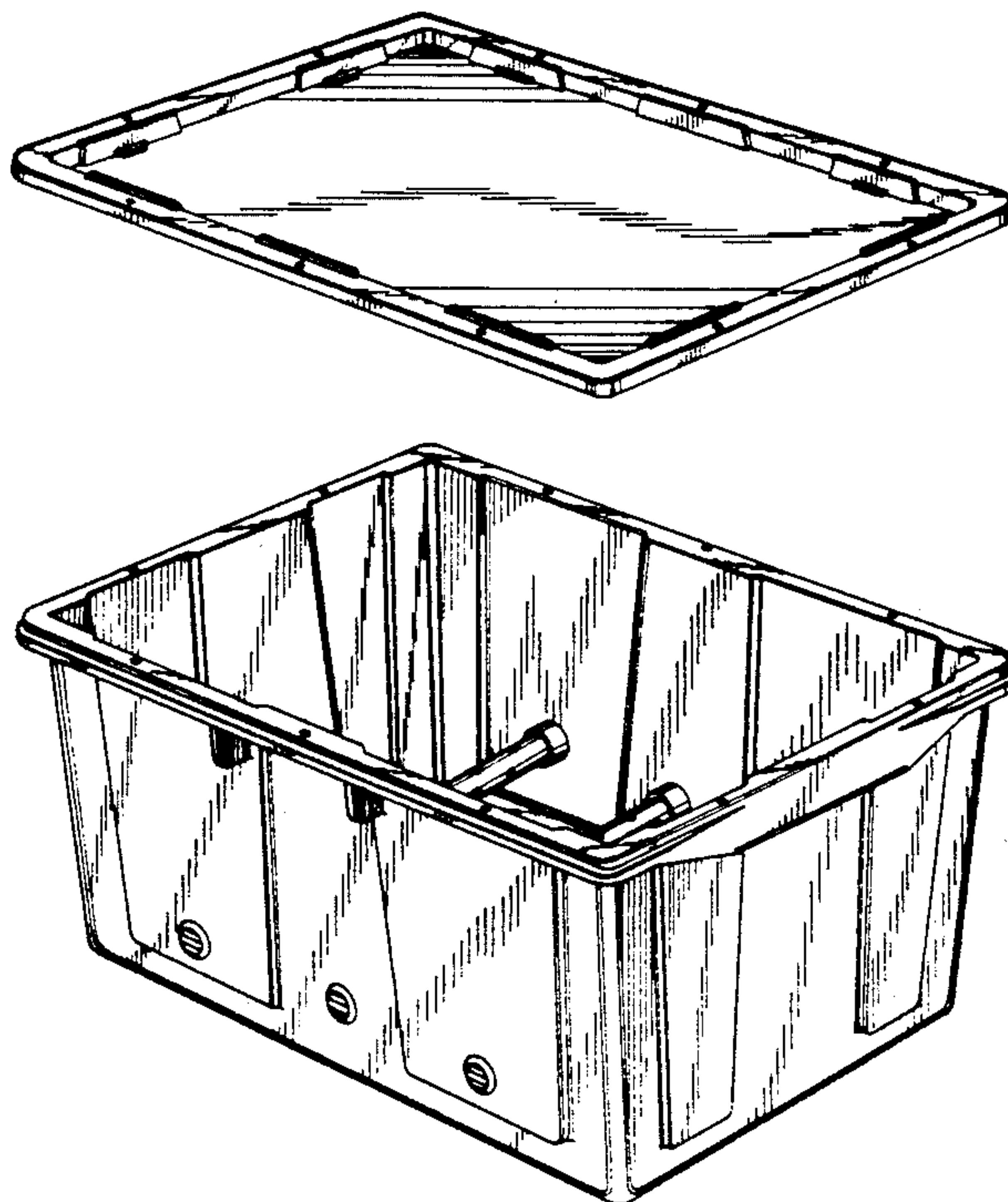
[57] **CLAIM**

The ornamental designs for a vermicomposting container, as shown and described.

DESCRIPTION

FIG. 1 is an exploded top perspective view of a vermicomposting container showing my new design; FIG. 2 is a front elevational view thereof without its lid. The lid of the container is omitted for clarity of illustration; FIG. 3 is a rear elevational view of FIG. 2;

FIG. 4 is a top plan view of FIG. 2; FIG. 5 is a bottom plan view of FIG. 2; FIG. 6 is a left side elevational view of FIG. 2, the right side elevational view being a mirror image of that shown; FIG. 7 is a top plan view of a lid of the container; FIG. 8 is a bottom plan view of FIG. 7; FIG. 9 is a front elevational view of FIG. 7, the rear elevational view being a mirror image of that shown; FIG. 10 is a left side elevational view of FIG. 7, the right side elevational view being a mirror image of that shown; FIG. 11 is an exploded top perspective view of second embodiment of the vermicomposting container; FIG. 12 is a front elevational view of FIG. 11 without its lid; FIG. 13 is a rear elevational view of FIG. 12; FIG. 14 is a top plan view of FIG. 12; FIG. 15 is a bottom plan view of FIG. 12; FIG. 16 is a left side elevational view of FIG. 12, the right side elevational view being a mirror image of that shown; FIG. 17 is an explode top perspective view of a third embodiment of the vermicomposting container; FIG. 18 is a front elevational view FIG. 17 without its lid; FIG. 19 is a rear elevational view of FIG. 18; FIG. 20 is a top plan view of FIG. 18; FIG. 21 is a bottom plan view of FIG. 18; and, FIG. 22 is a left side elevational view of FIG. 18, the right side elevational view being a mirror image of that shown. The bottom of the lid of second and third embodiment of the vermicomposting container is flat and unornamental.



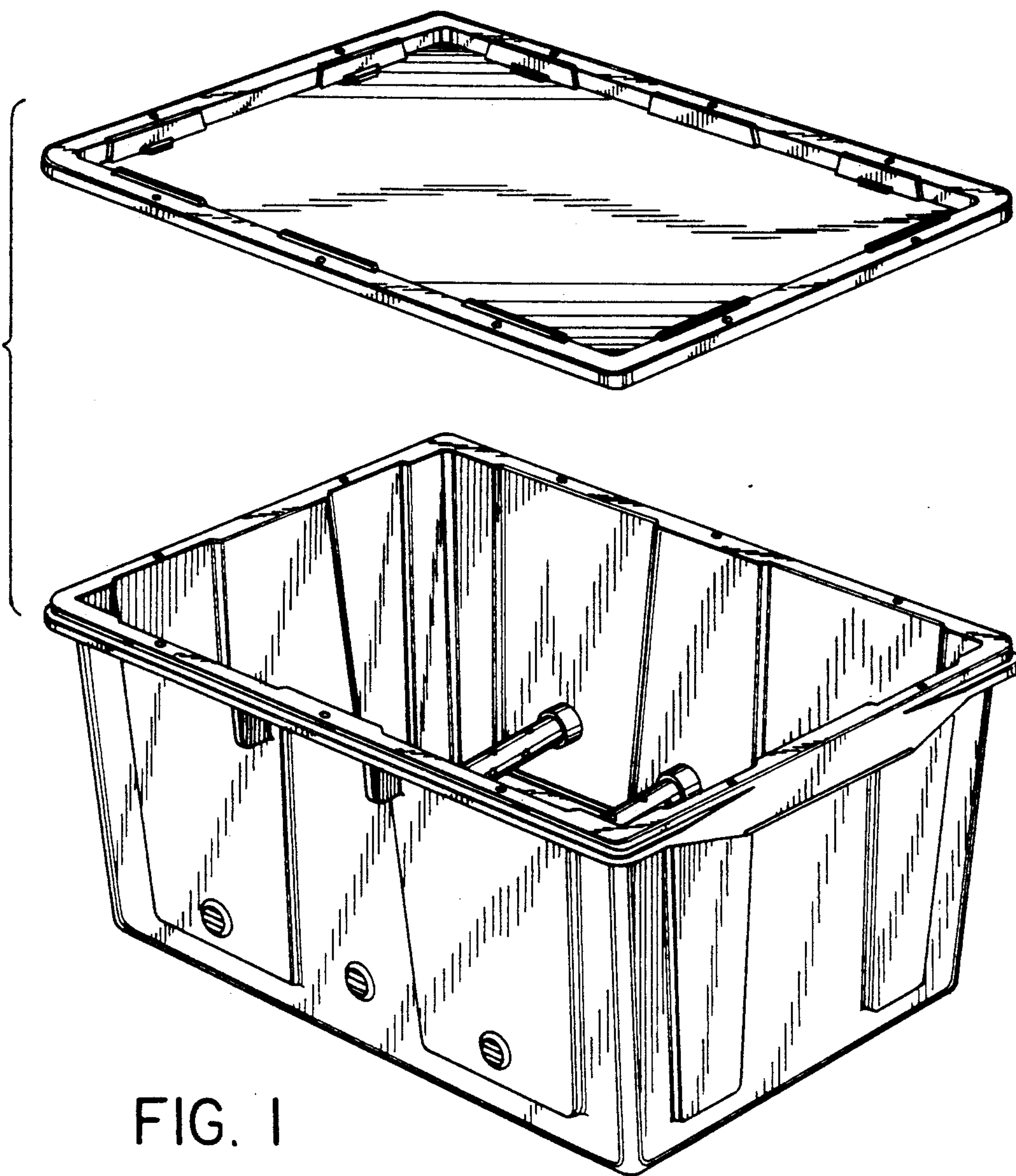


FIG. 9



FIG. 10

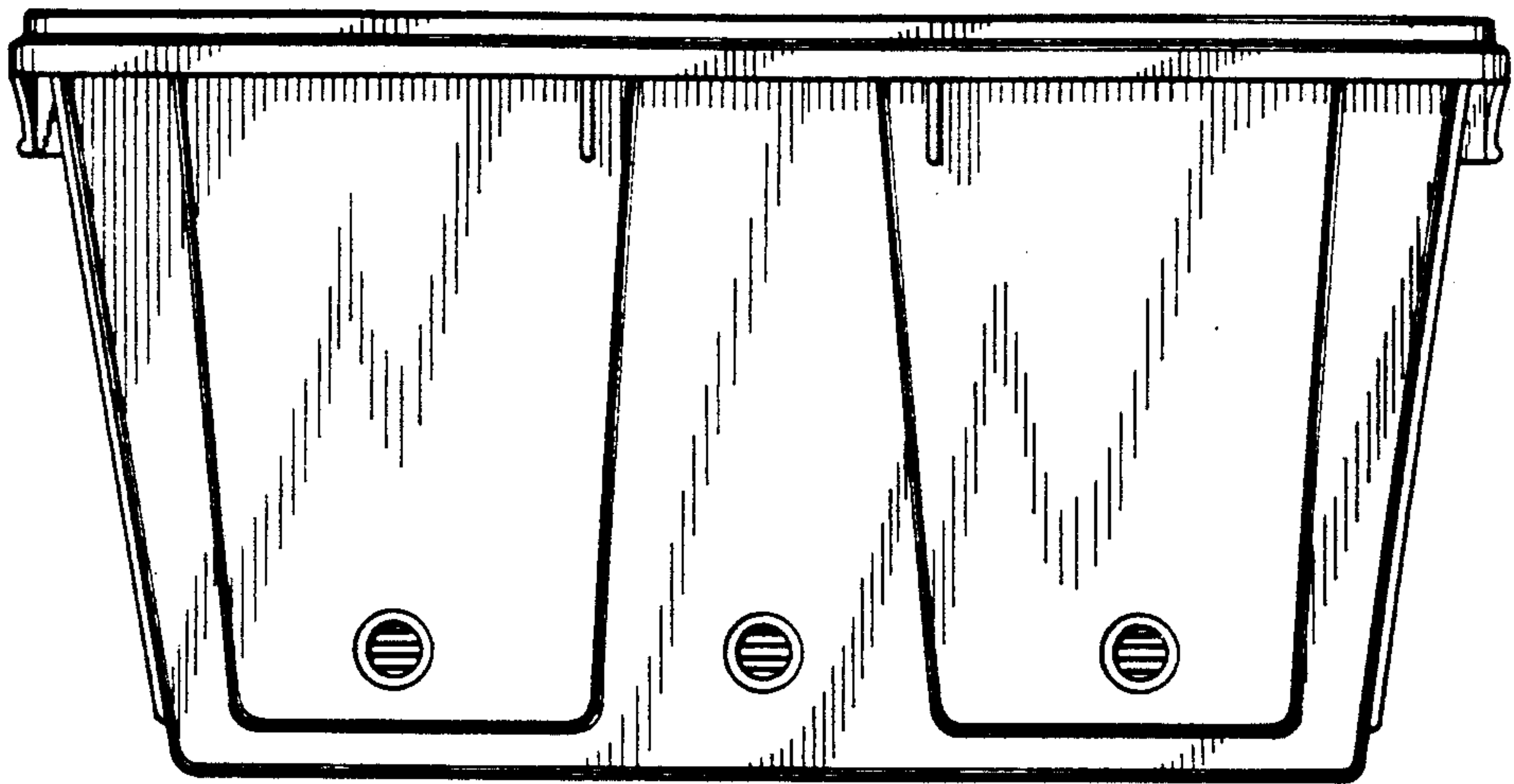


FIG. 2

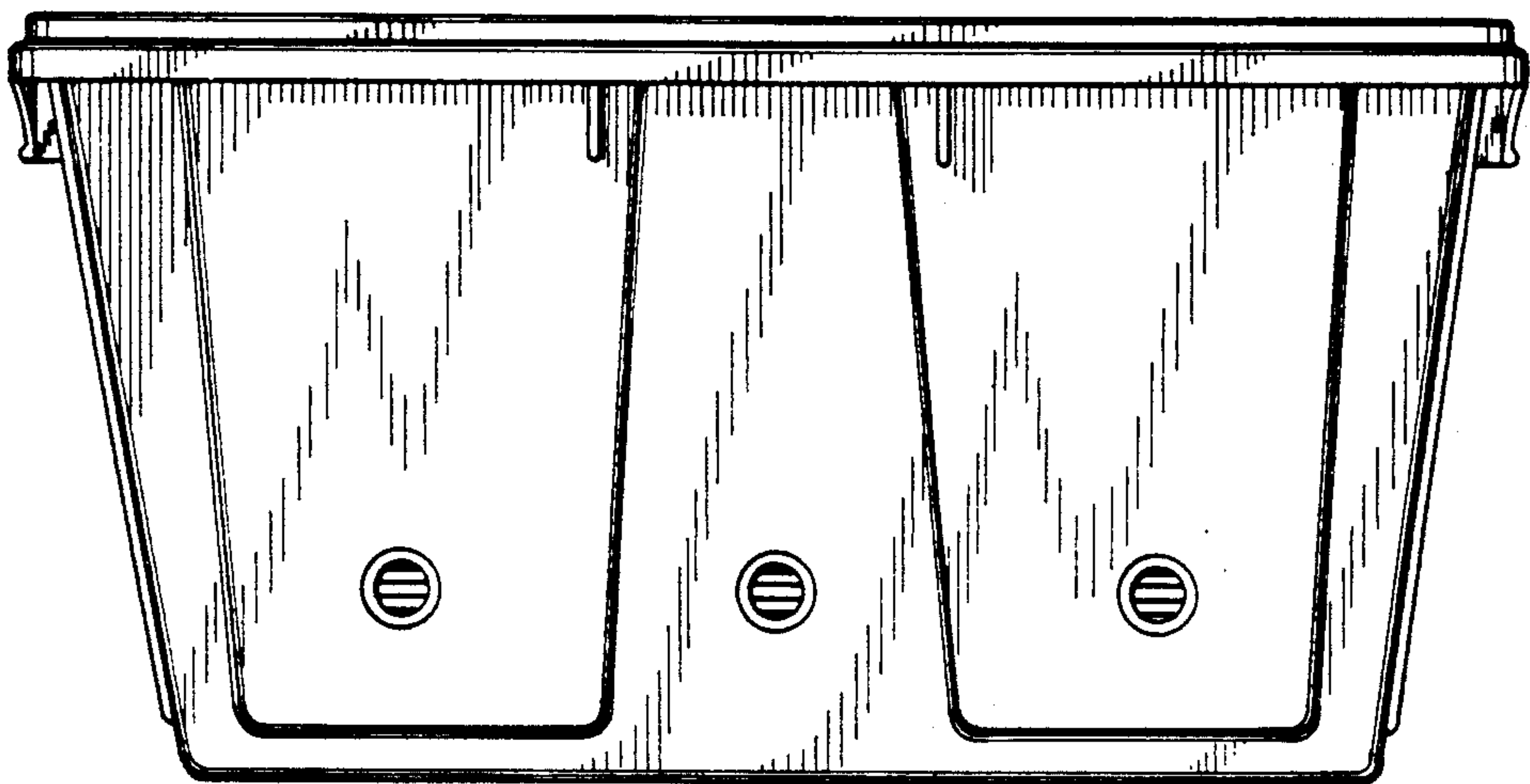


FIG. 3

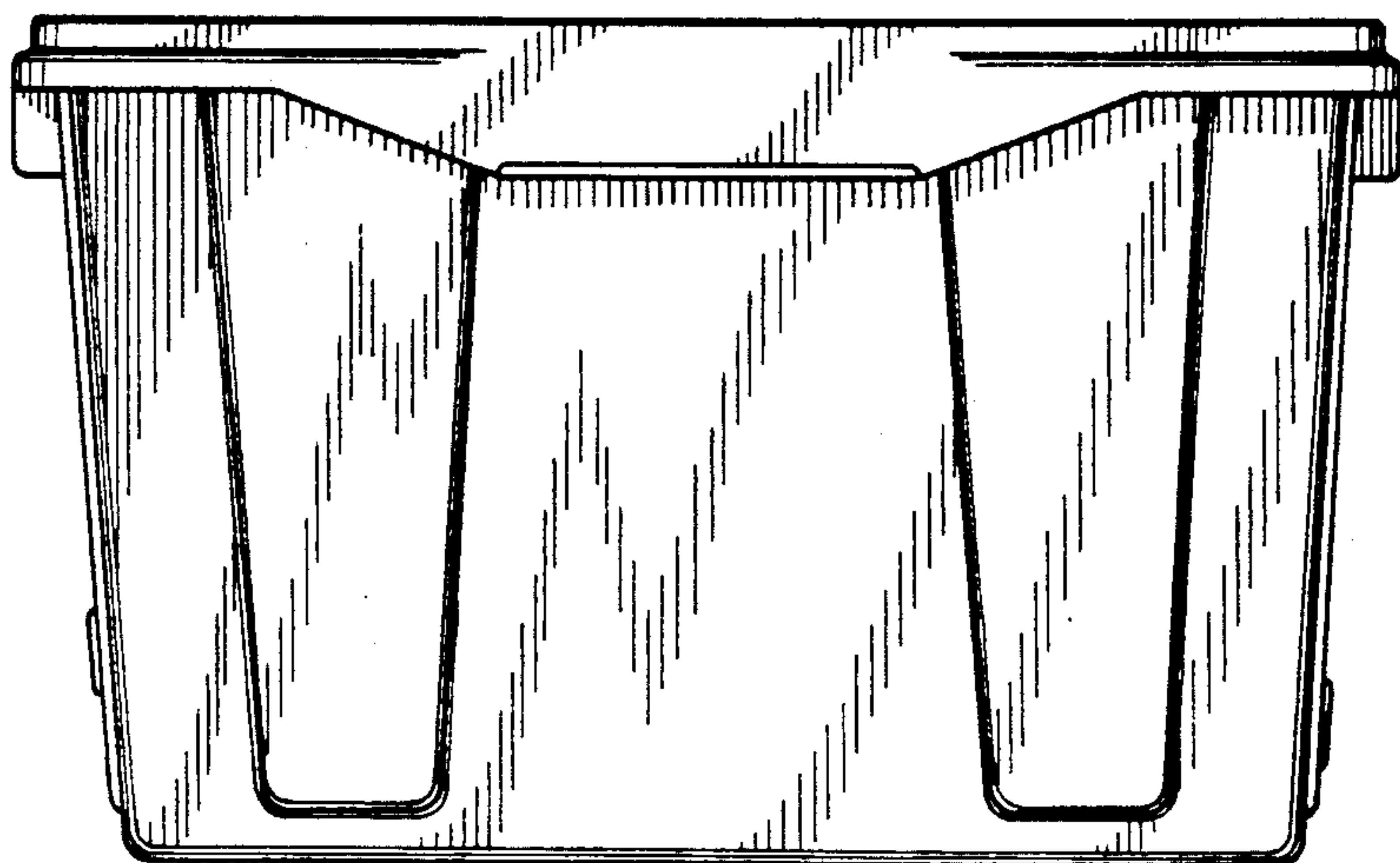


FIG. 6

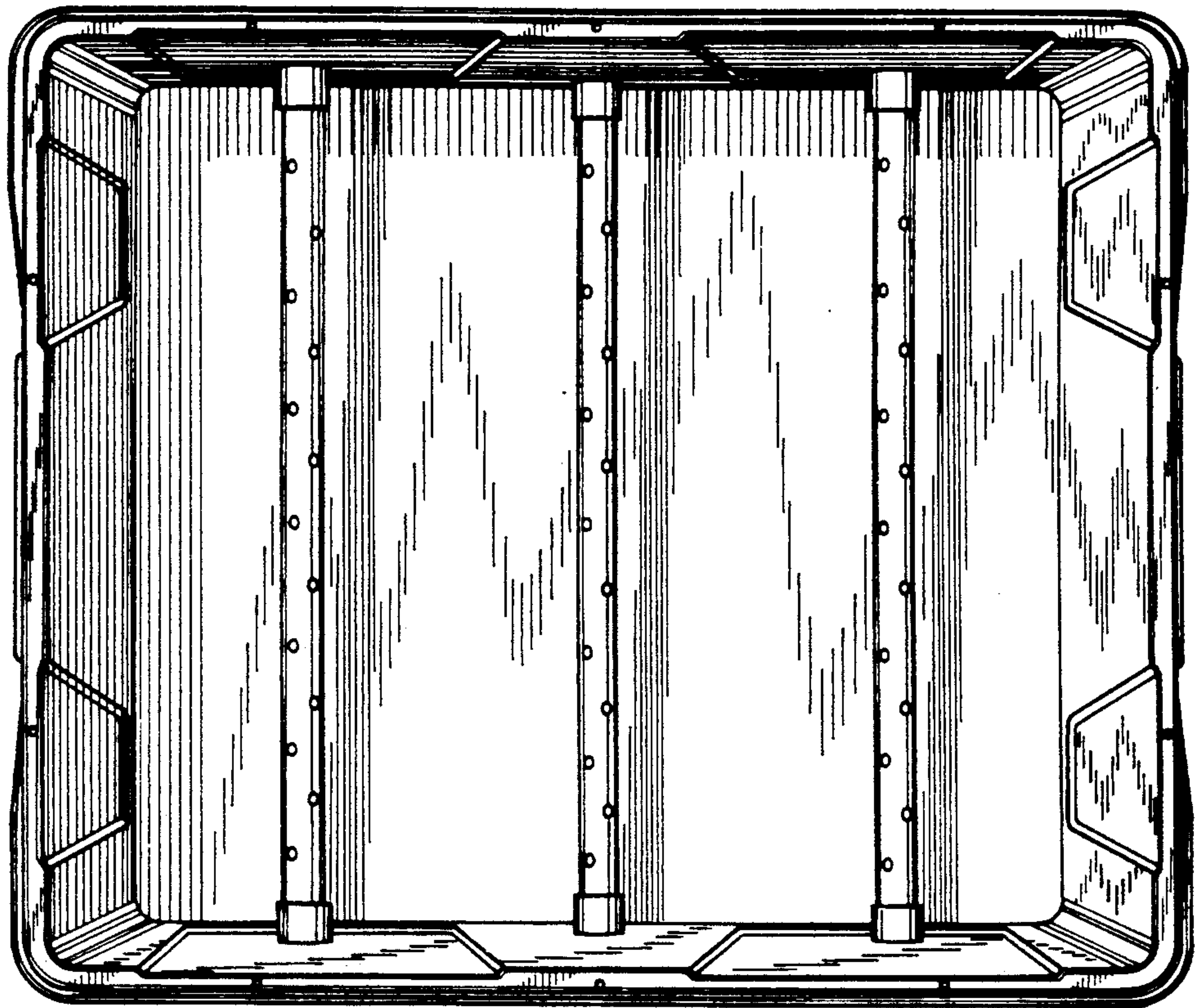


FIG. 4

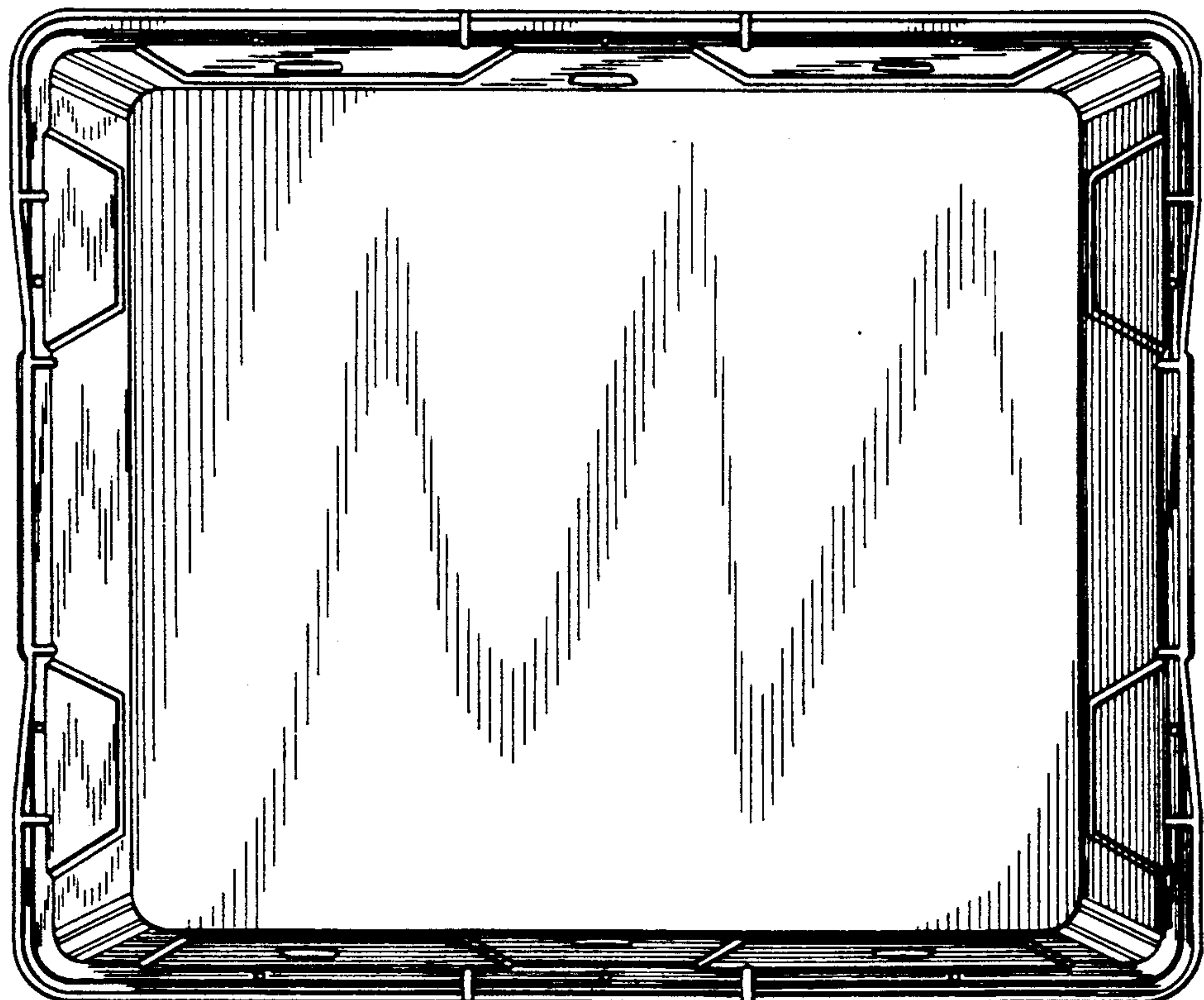


FIG. 5

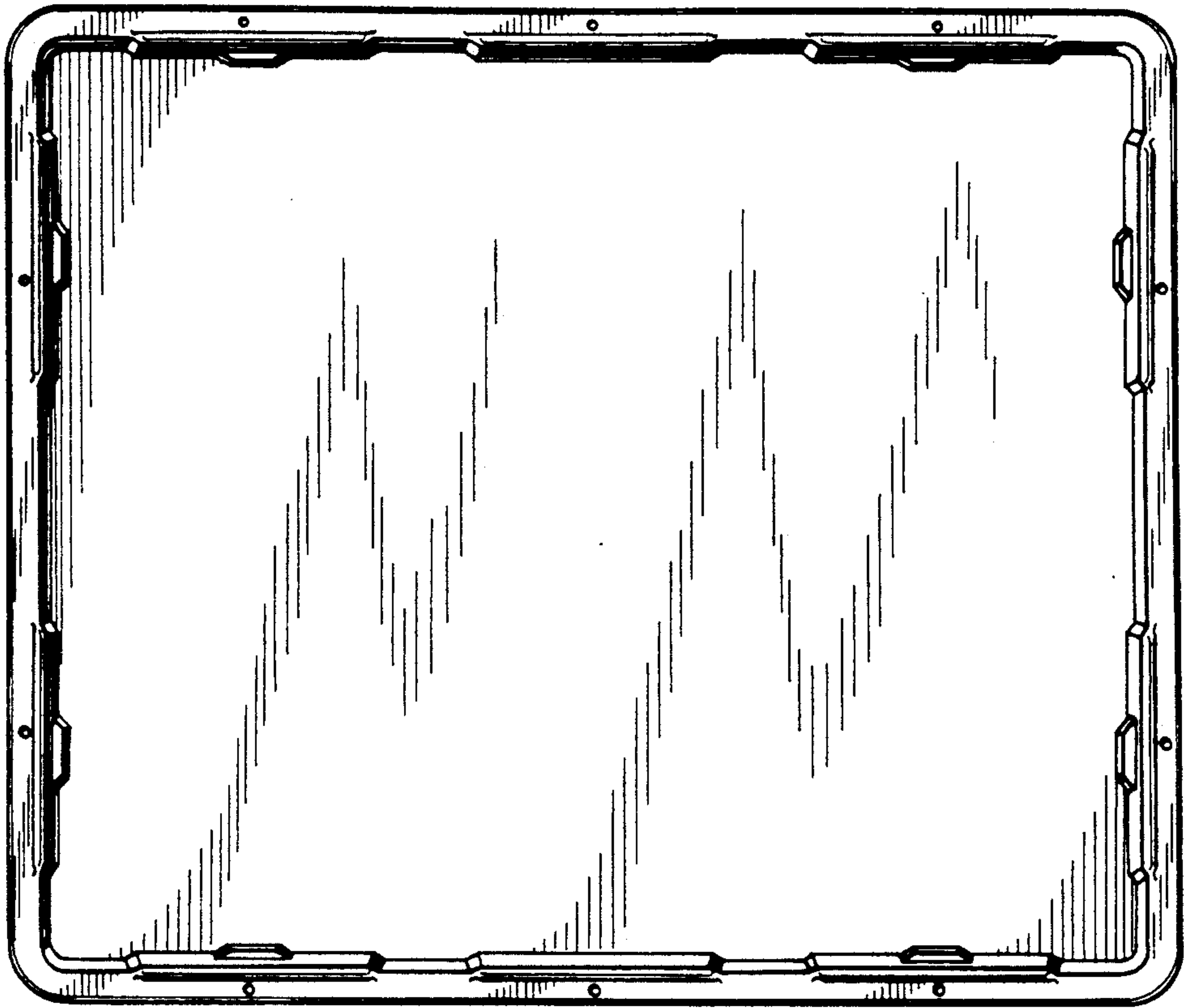


FIG. 7

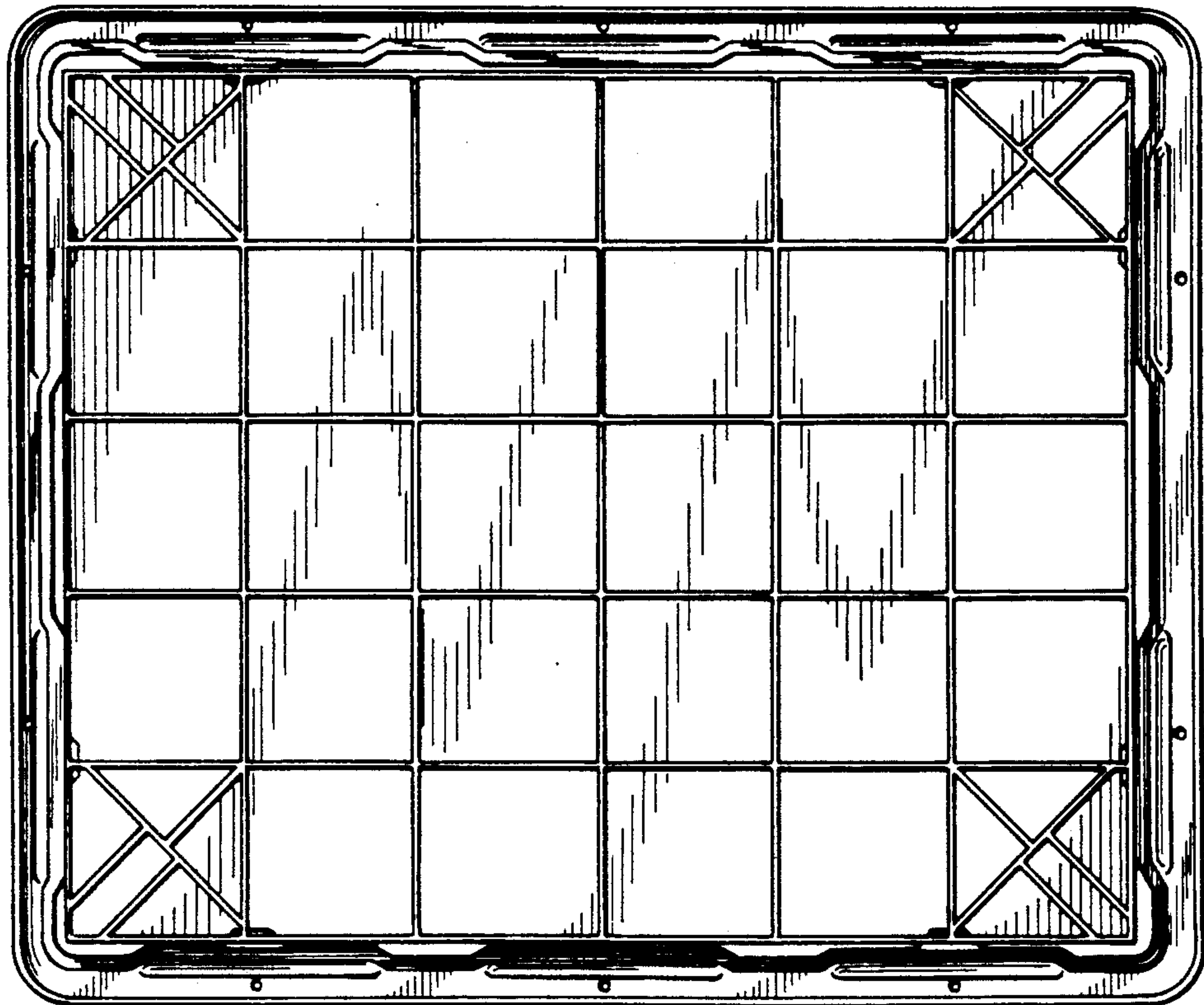


FIG. 8

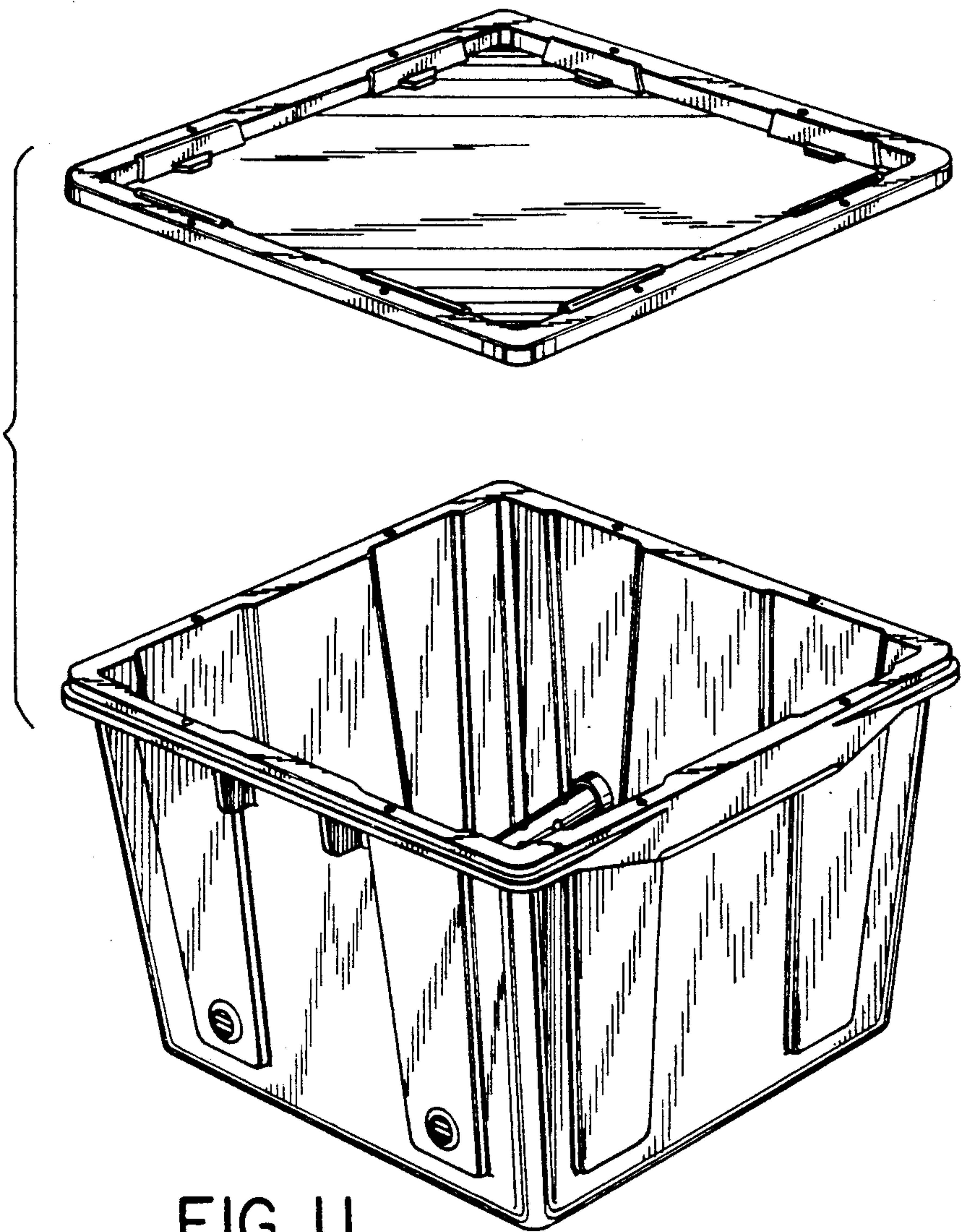


FIG. 11

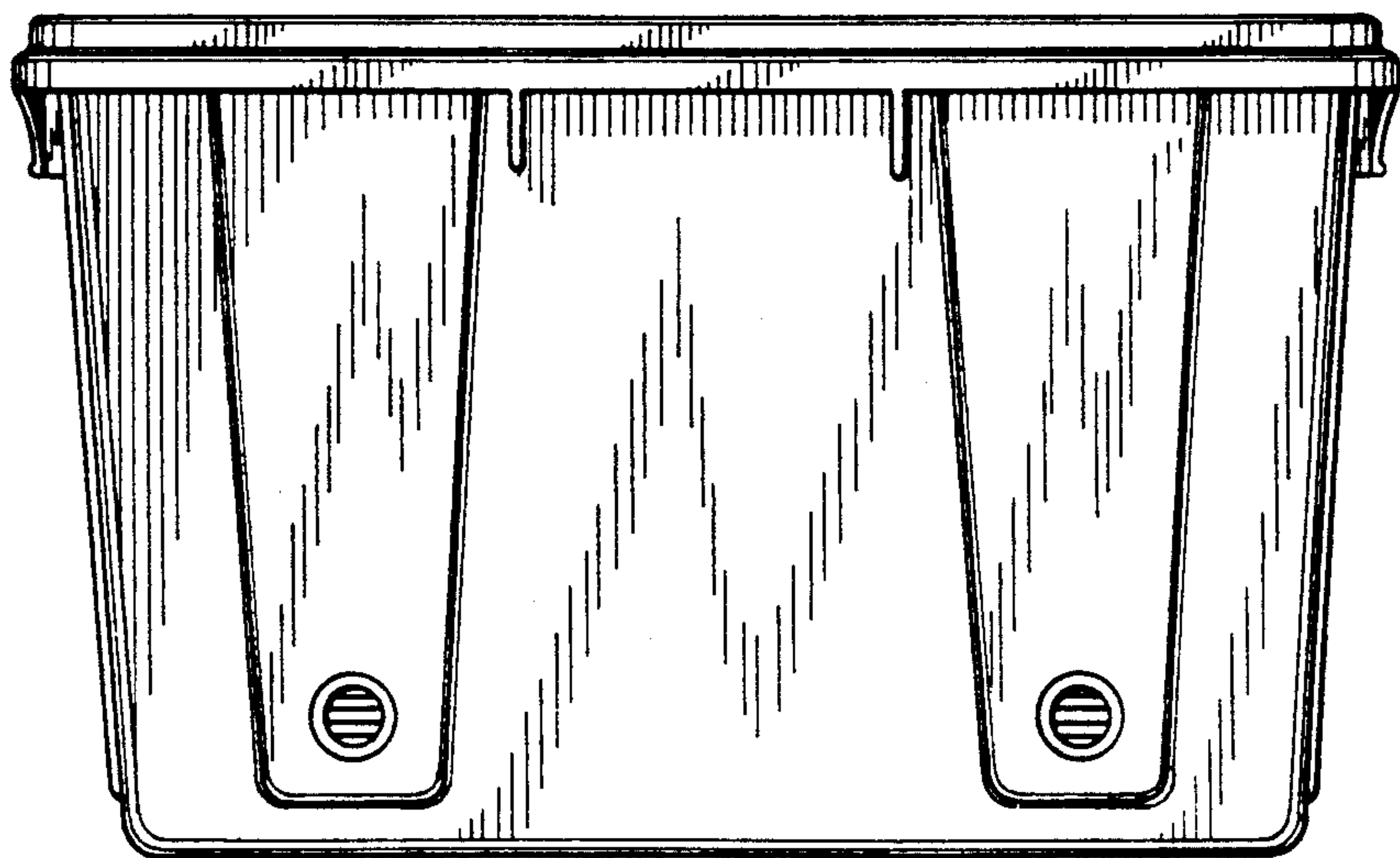


FIG. 12

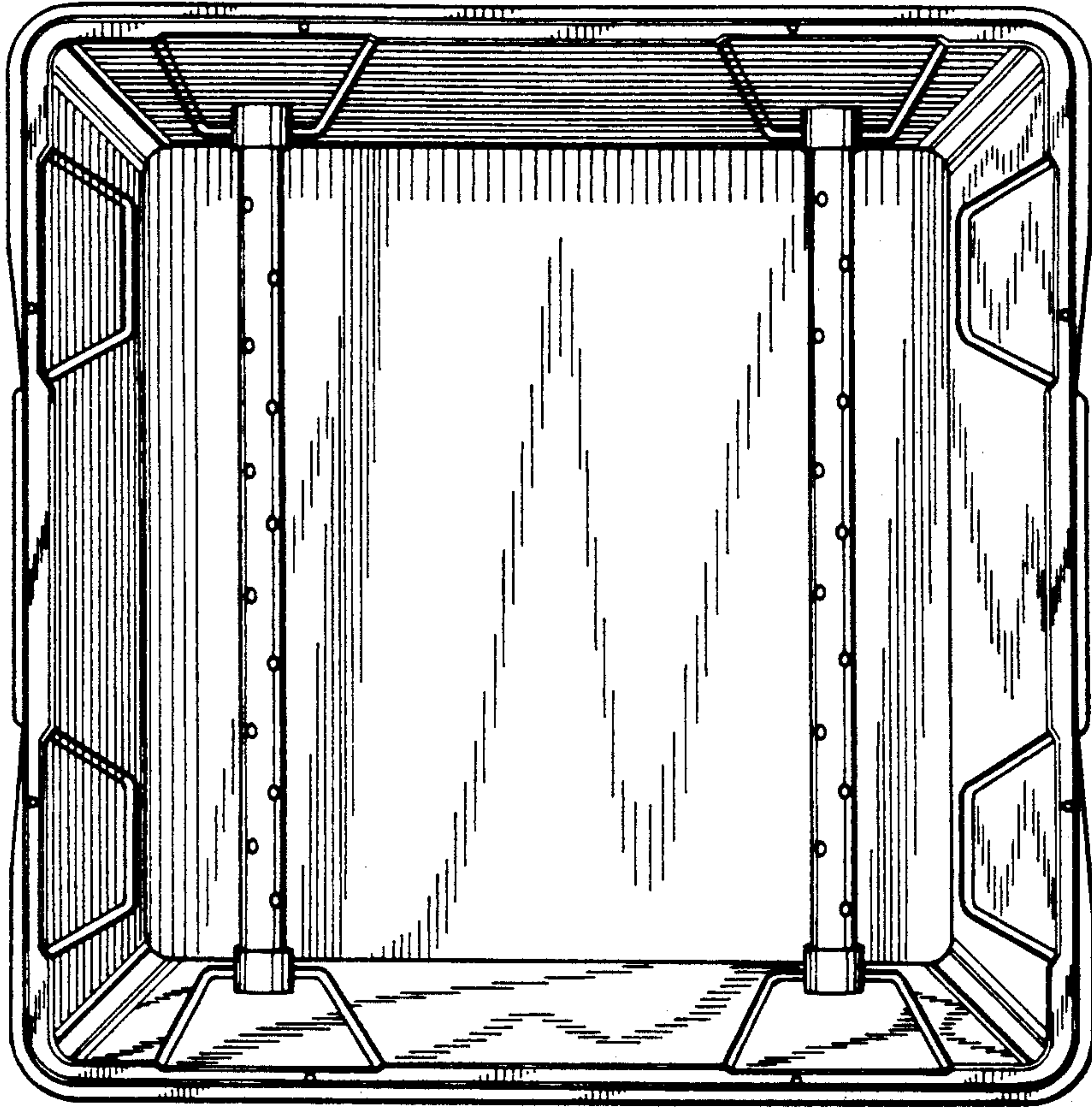


FIG. 14

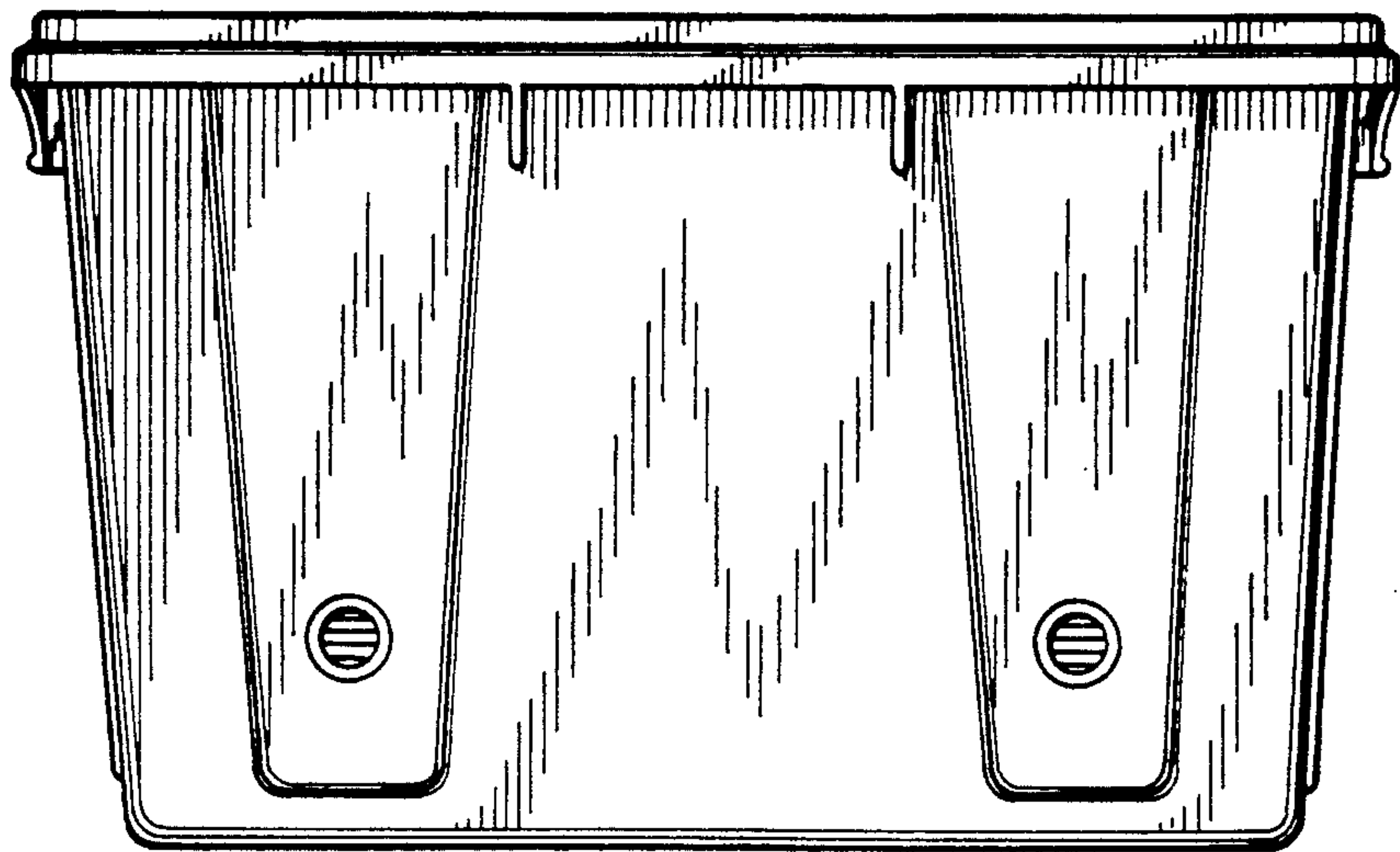


FIG. 13

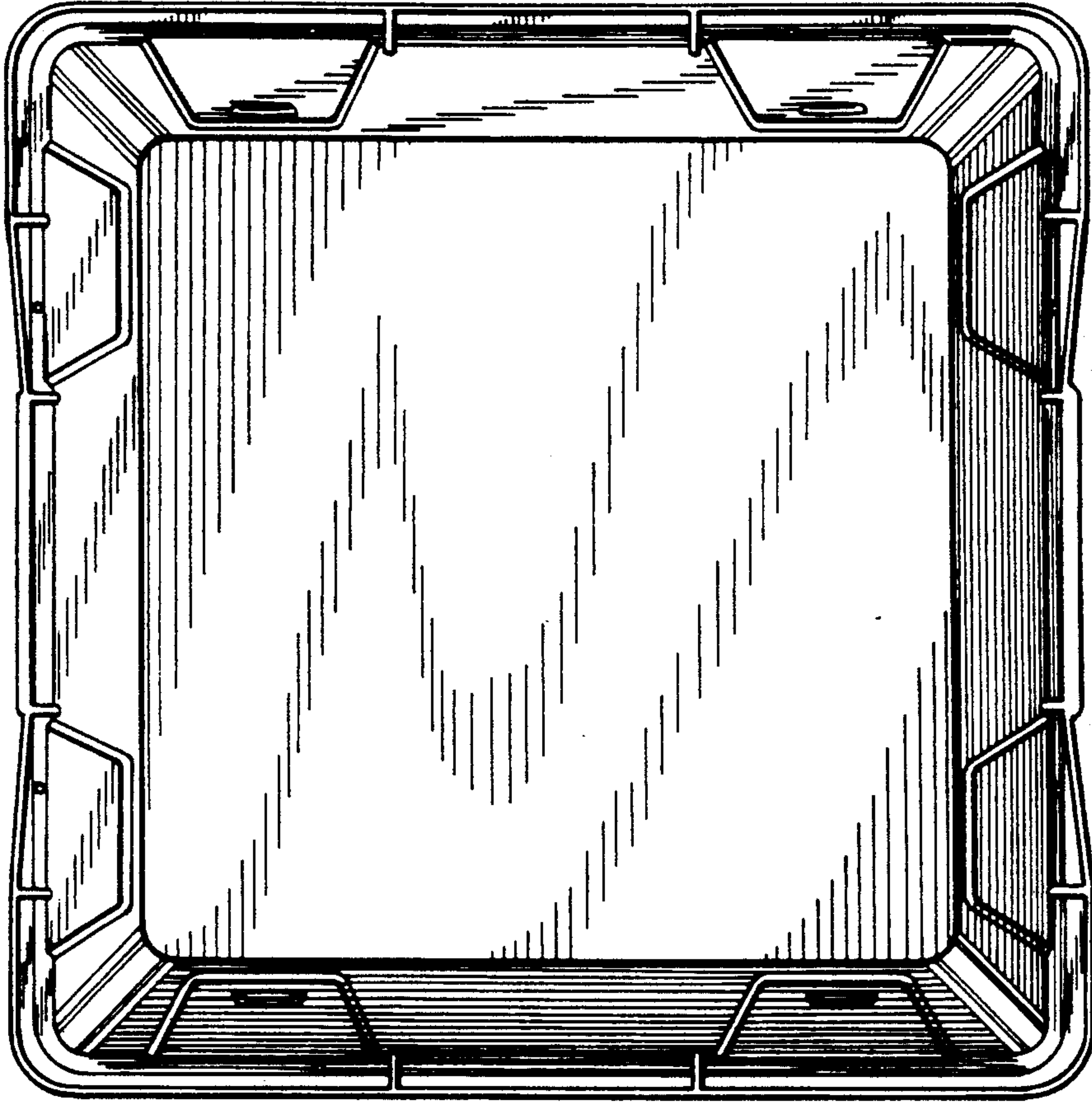


FIG. 15

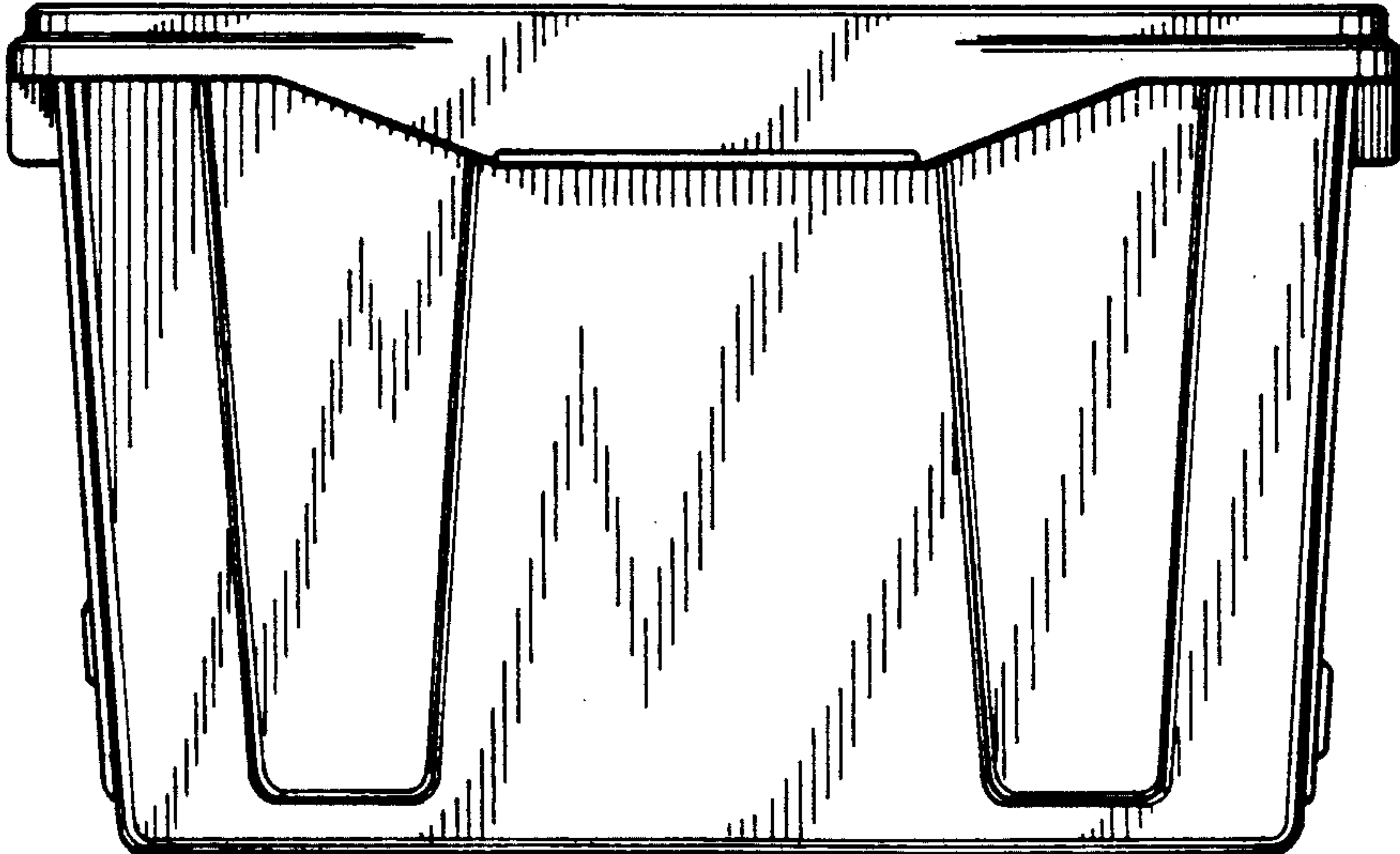


FIG. 16

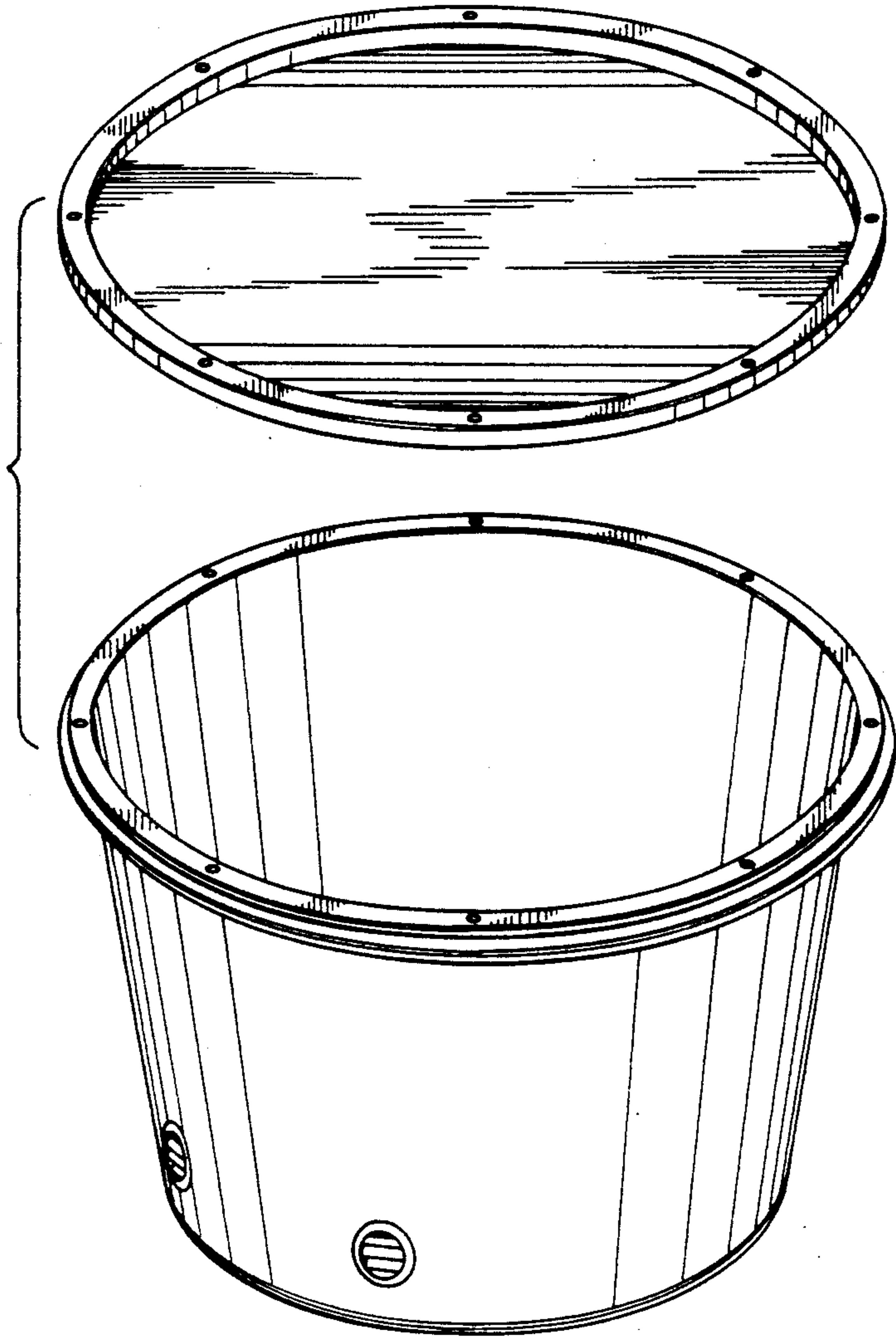


FIG. 17

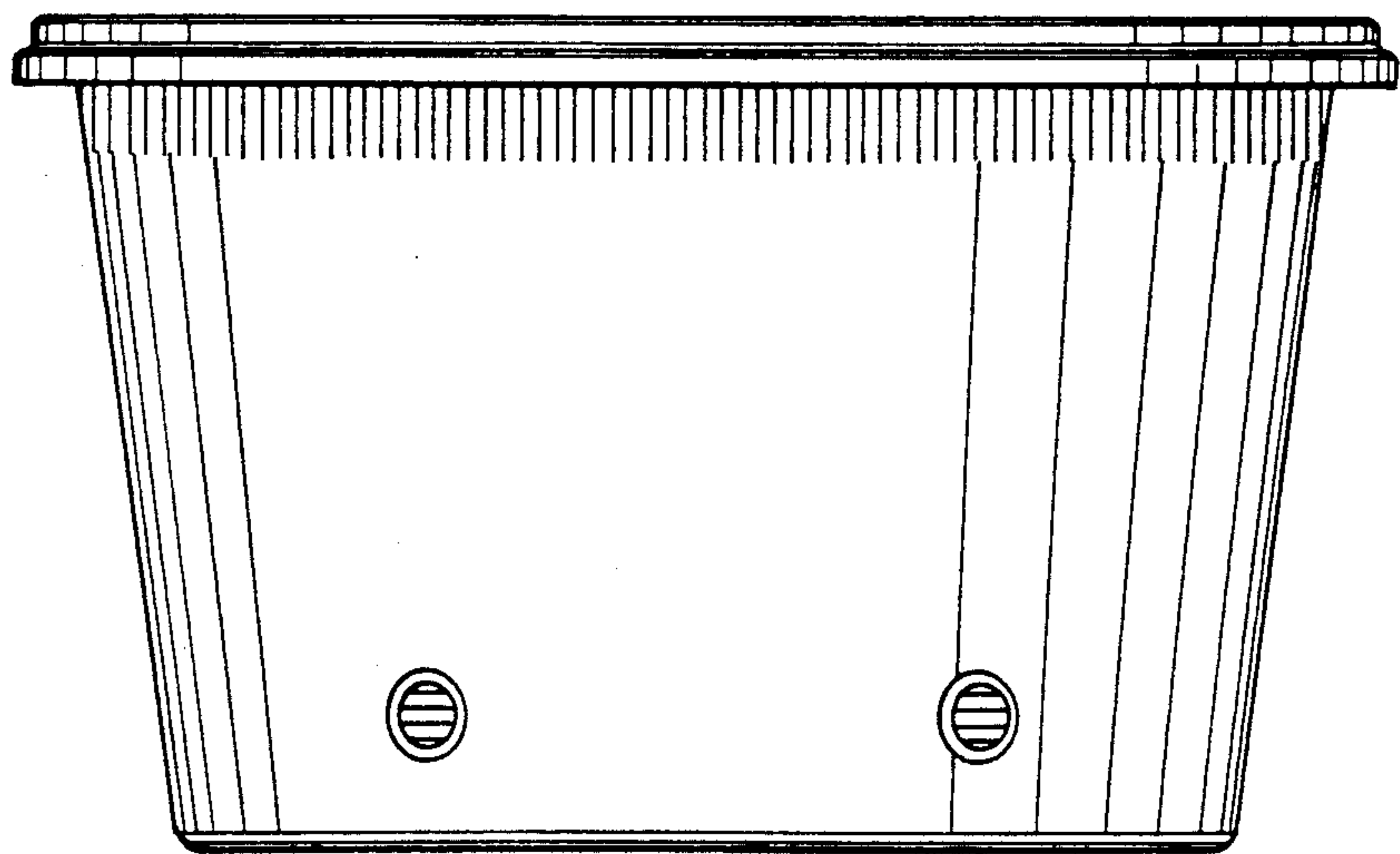


FIG. 18

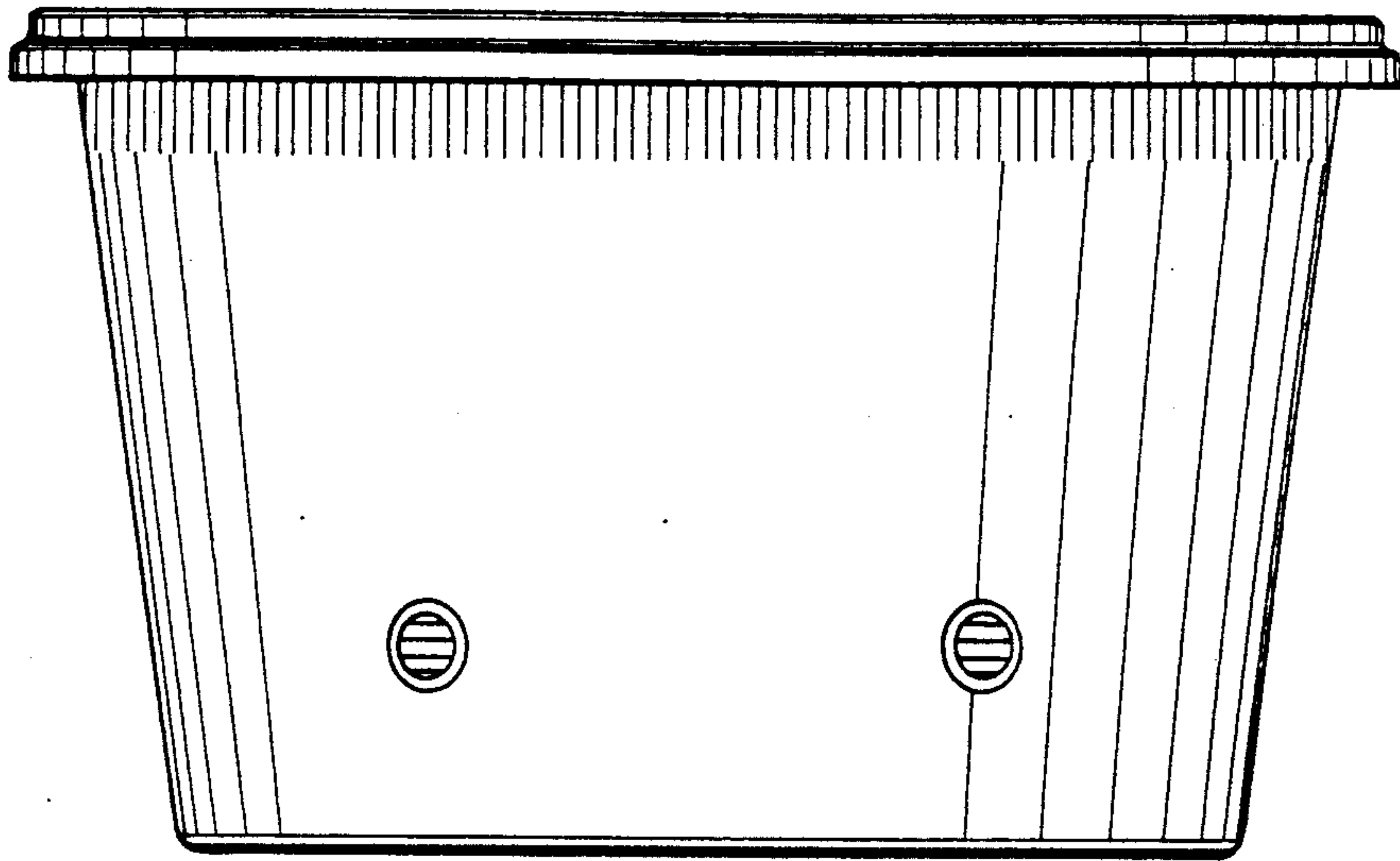


FIG. 19

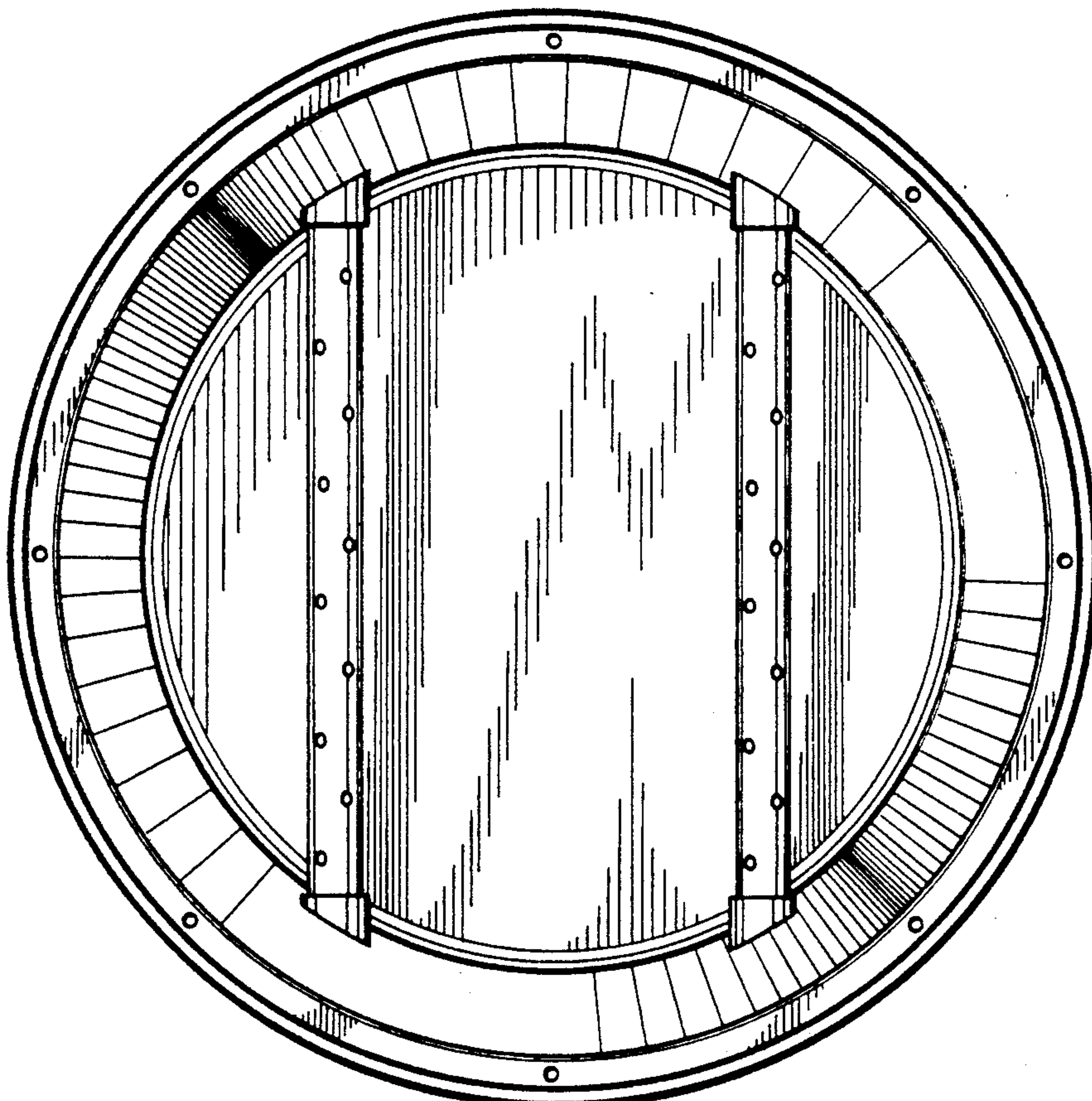


FIG. 20

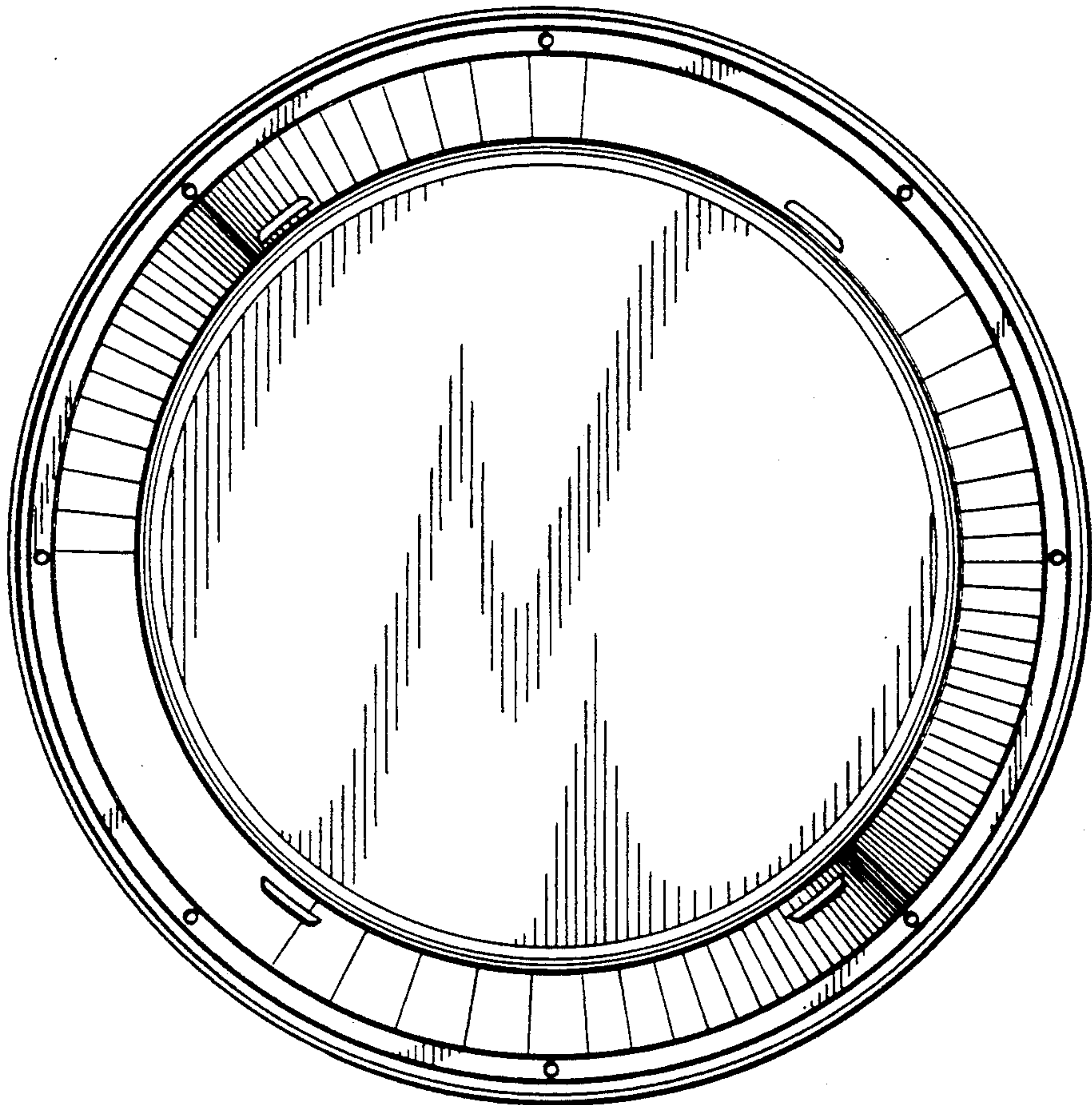


FIG. 21

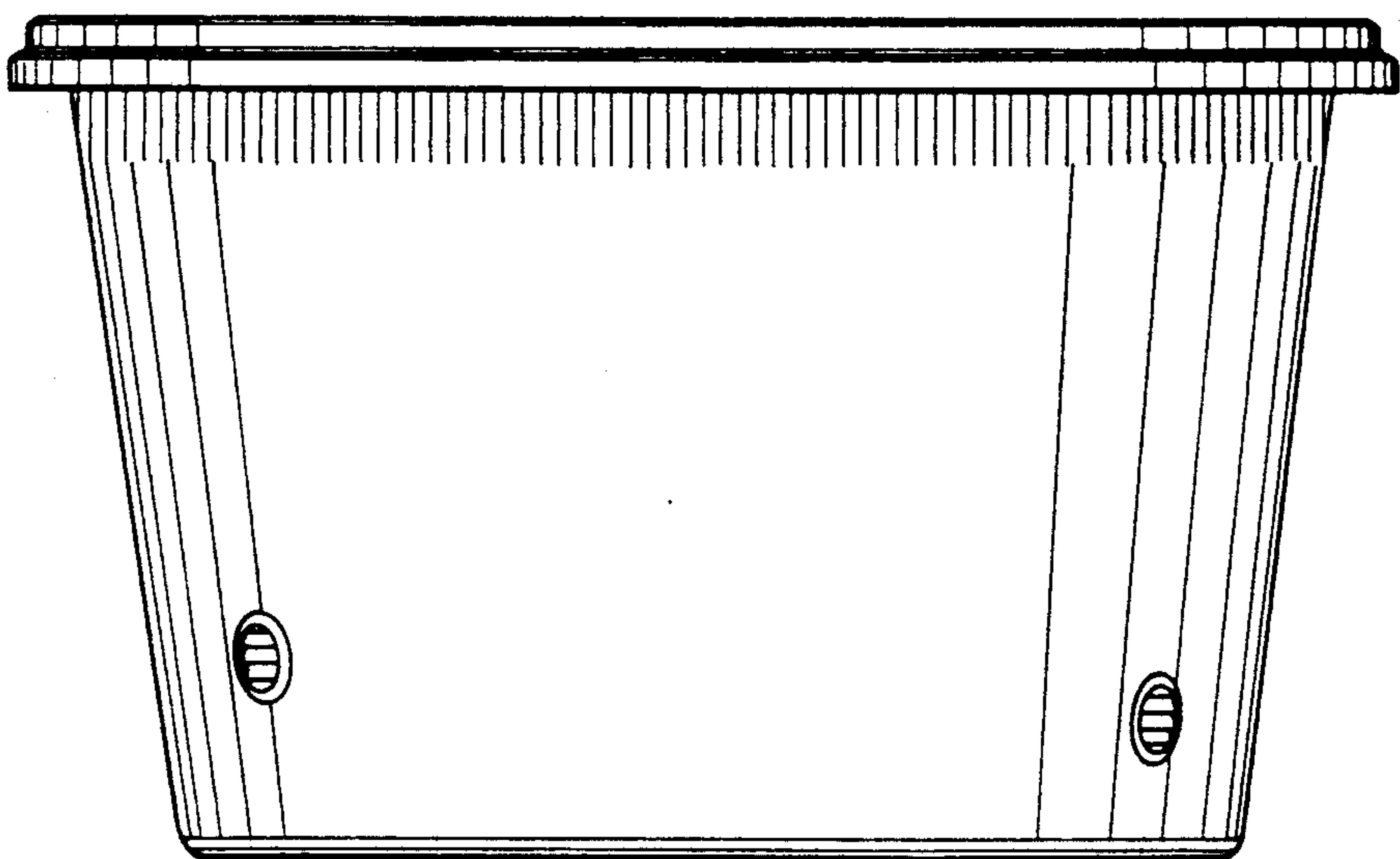


FIG. 22