



US00D332159S

United States Patent [19]

Arnold

[11] Patent Number: **Des. 332,159**

[45] Date of Patent: **** Dec. 29, 1992**

[54] **VACUUM COMB**

[76] Inventor: **Floyd Arnold, 12315 Oak Knoll Rd., #200, Poway, Calif. 92064**

[**] Term: **14 Years**

[21] Appl. No.: **461,763**

[22] Filed: **Jan. 8, 1990**

[52] U.S. Cl. **D32/33**

[58] Field of Search **D32/31-33; 15/400-401, 403, 414, 415.1, 416, 420, 422, 422.1, 323, 357 A; D30/158**

3,145,691 8/1964 Yates 119/83
 3,308,500 3/1967 Woodruff 15/369
 3,574,885 4/1971 Jones 15/393
 4,218,806 8/1980 Cohn 15/402
 4,506,406 3/1985 LaMonte 15/398
 4,573,237 3/1987 Kochte 15/344
 4,704,765 11/1987 Ataka 15/323
 4,779,572 10/1988 Freulon 119/85

Primary Examiner—A. Hugo Word
Assistant Examiner—Ruth McInroy
Attorney, Agent, or Firm—Thorpe, North & Western

[56] **References Cited**

U.S. PATENT DOCUMENTS

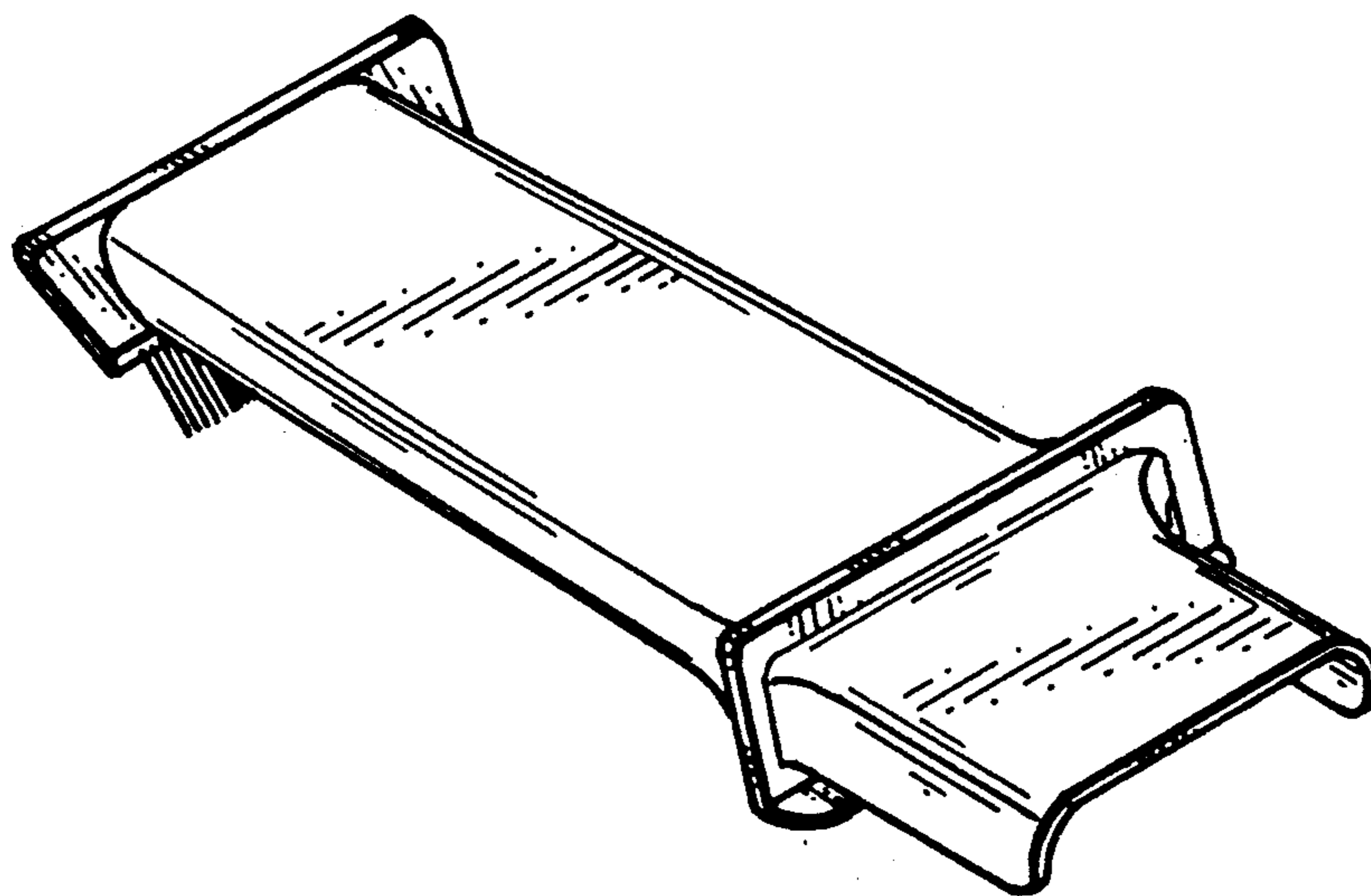
D. 141,805 7/1945 Wittke D32/32
 D. 147,125 7/1947 Harvuot D32/32
 D. 158,774 5/1950 Lippincott D32/32
 D. 178,479 8/1956 Zaidan D32/33
 D. 200,093 1/1965 Frost D32/32
 D. 273,146 3/1984 Farr D32/31
 D. 303,026 8/1989 Kilakis D32/32
 D. 309,205 7/1990 Schuster D32/32
 986,245 3/1911 Thurman D32/31
 1,053,665 2/1913 Spencer D32/32

[57] **CLAIM**

The ornamental design for a vacuum comb, as shown and described.

DESCRIPTION

FIG. 1 is a top perspective view of a vacuum comb showing my new design;
 FIG. 2 is a bottom perspective view thereof;
 FIG. 3 is a side elevational view thereof, the opposite side being a mirror image;
 FIG. 4 is a front elevational view thereof;
 FIG. 5 is a rear elevational view thereof;
 FIG. 6 is a top plan view thereof; and,
 FIG. 7 is a bottom plan view thereof.



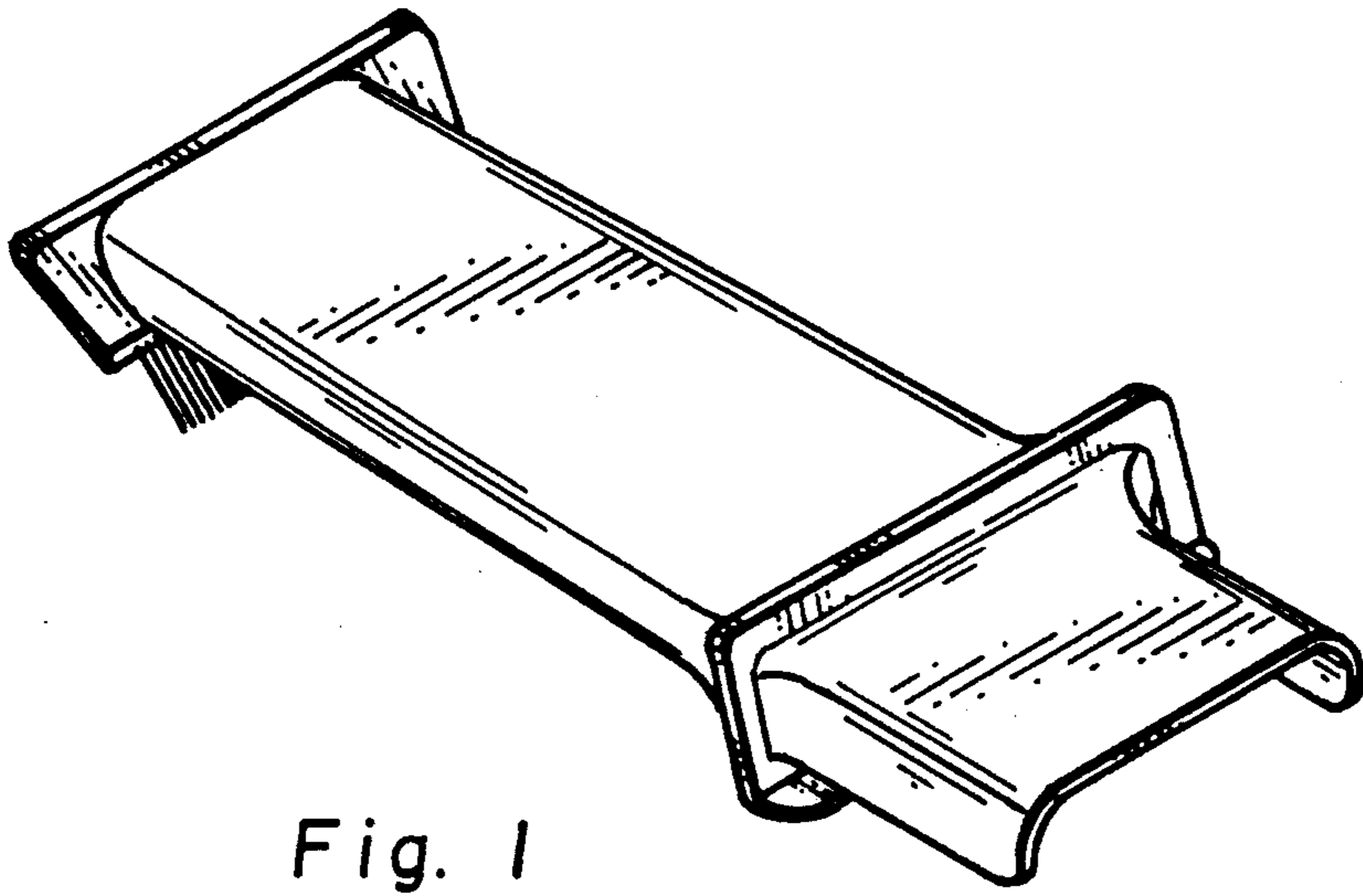


Fig. 1

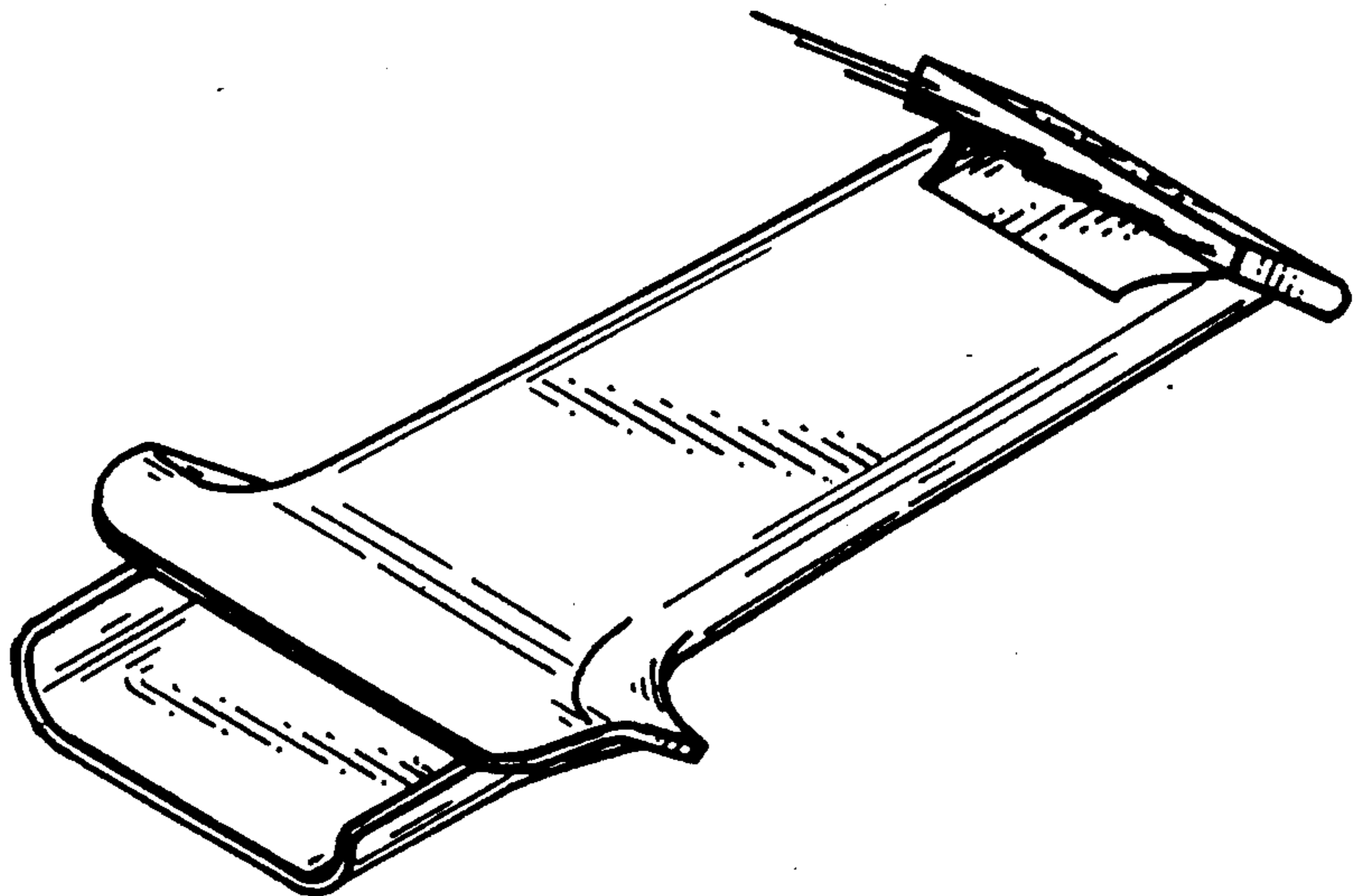


Fig. 2

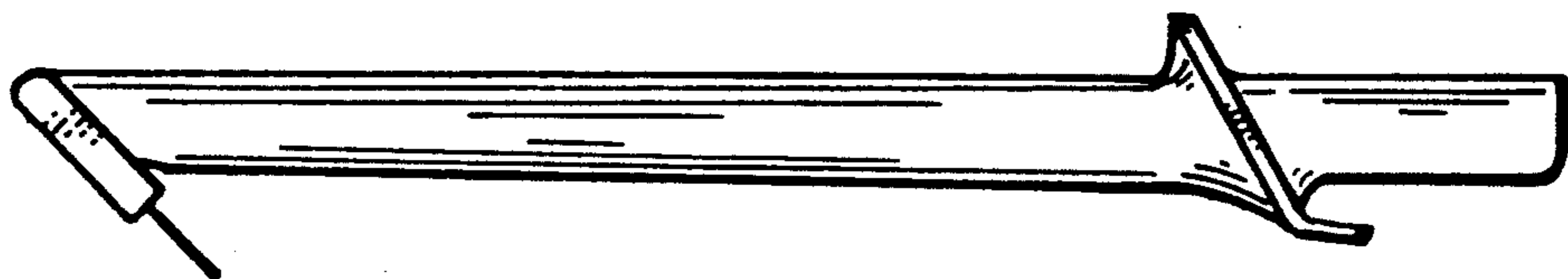


Fig. 3

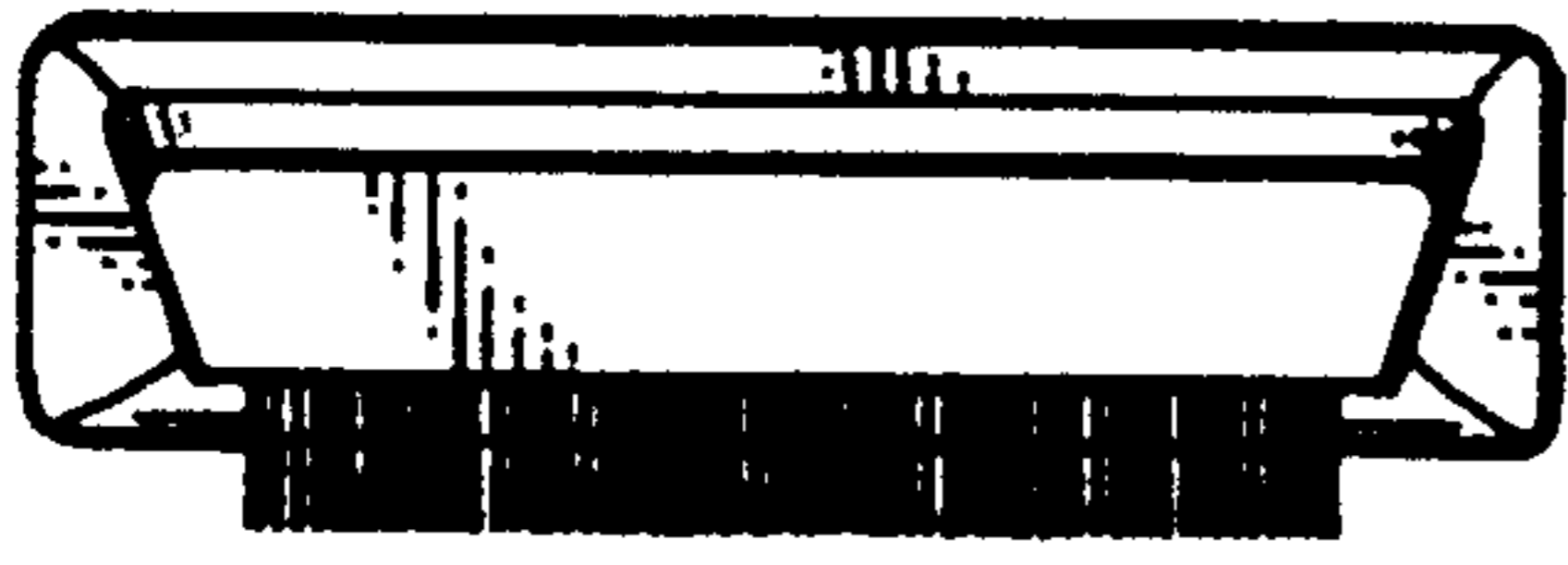


Fig. 4

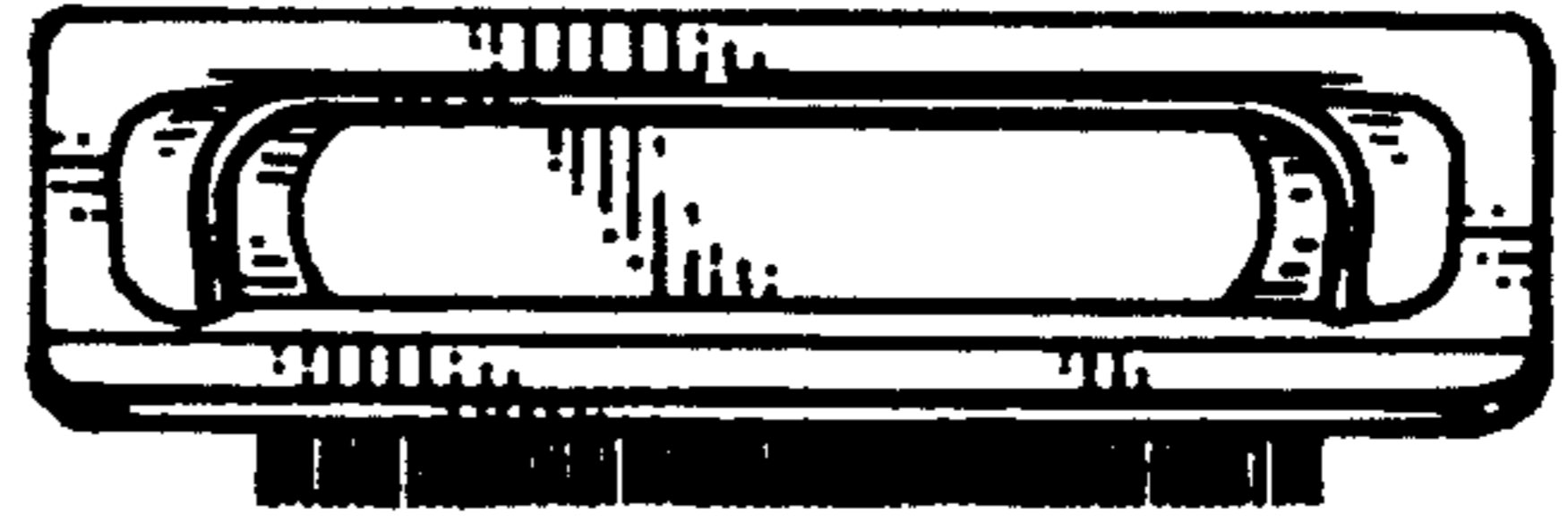


Fig. 5

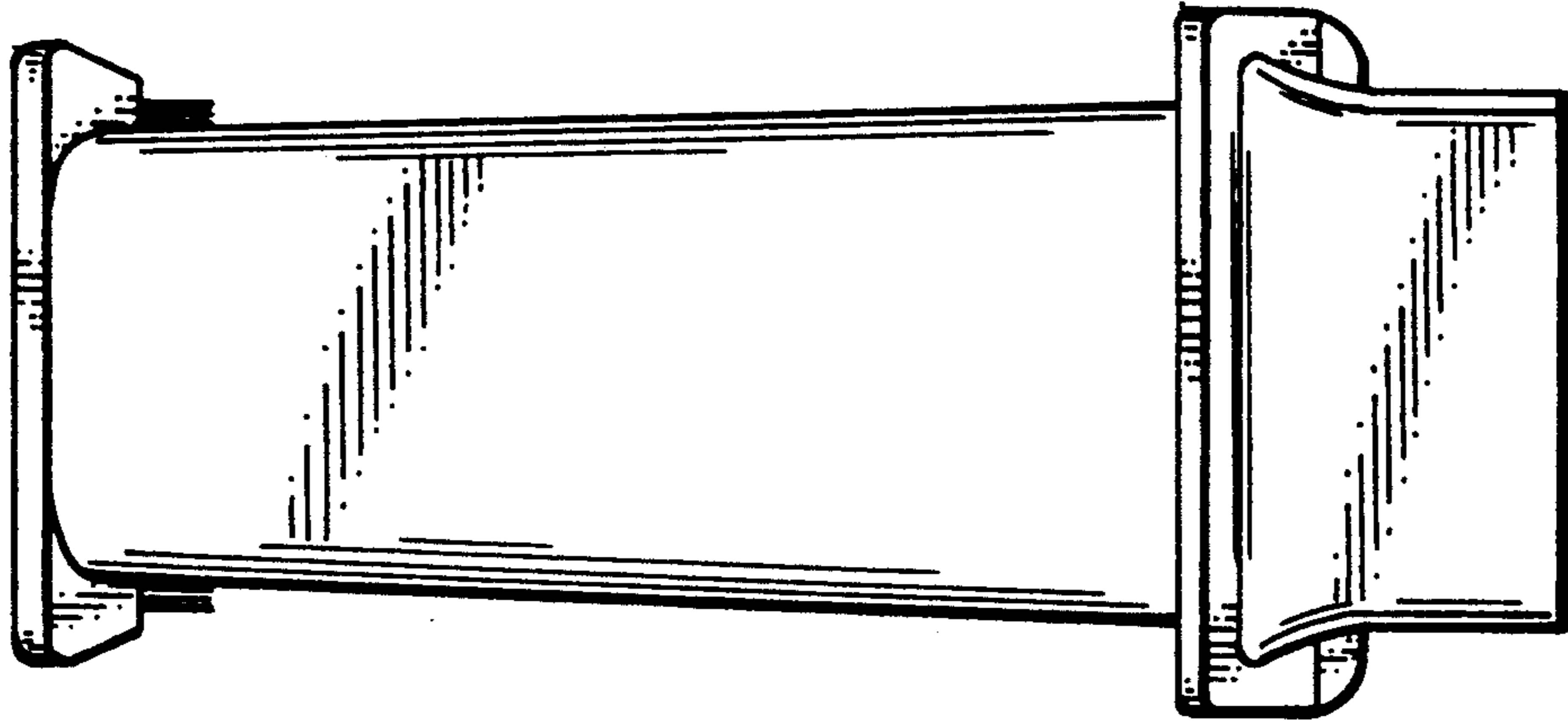


Fig. 6

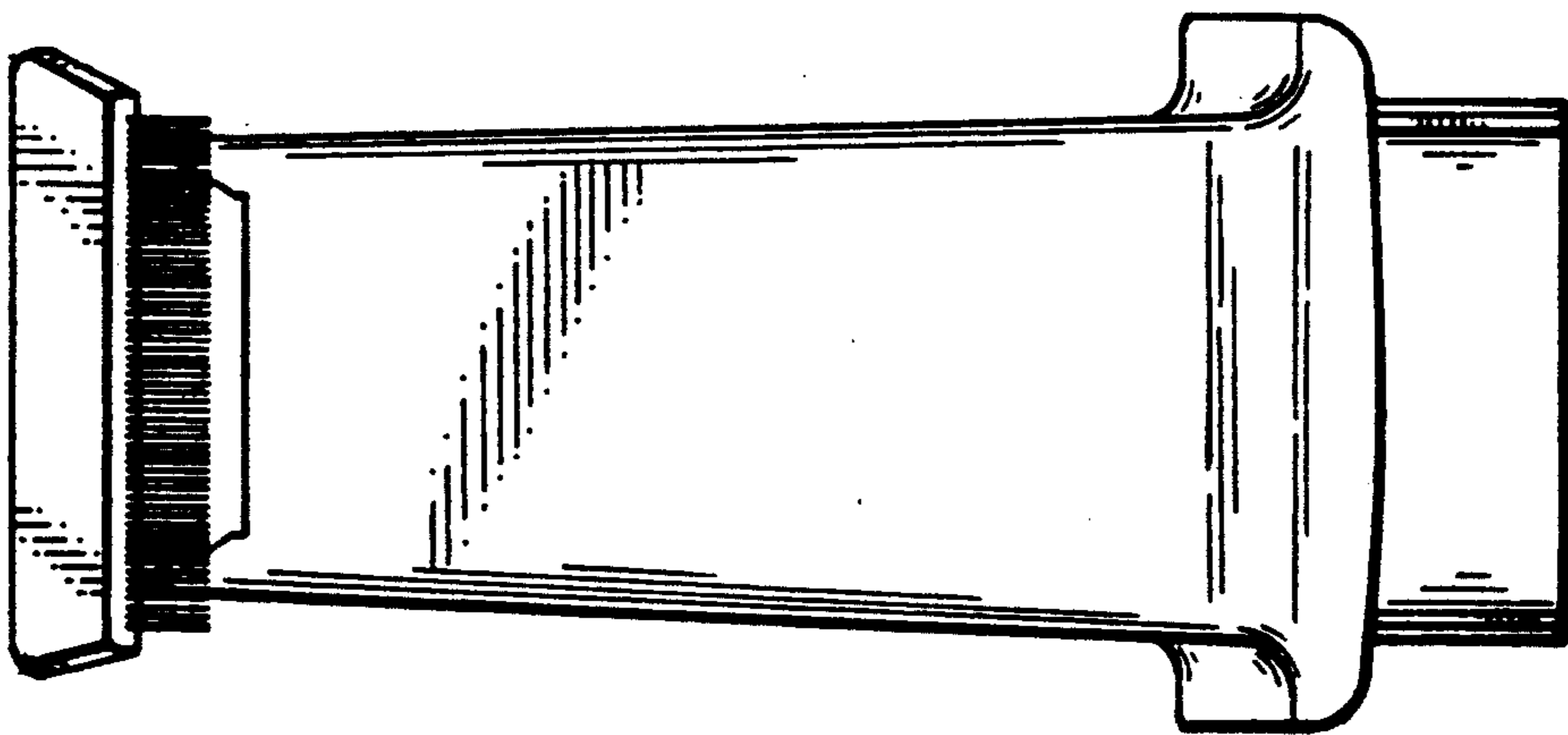


Fig. 7