



US00D332158S

United States Patent [19]

[11] Patent Number: **Des. 332,158**

Bothun et al.

[45] Date of Patent: **** Dec. 29, 1992**

[54] **FLOOR SCRUBBER**

[75] Inventors: **Eugene L. Bothun, Loveland; Frederick M. Bores, Highlands Ranch; Edward T. Biegel, Littleton; Dan R. Canaday, Denver, all of Colo.**

[73] Assignee: **Windsor Industries, Inc., Englewood, Colo.**

[**] Term: **14 Years**

[21] Appl. No.: **580,519**

[22] Filed: **Sep. 11, 1990**

[52] U.S. Cl. **D32/15**

[58] Field of Search **D32/1, 15-16, D32/19-22; 15/320, 321, 340.2, 340.3, 340.4, 49.1, 50.1, 50.3, 52.1, 78, 79.1, 79.2, 82, 87**

[56] **References Cited**

U.S. PATENT DOCUMENTS

- D. 183,080 6/1958 Ashton D32/16
- D. 183,552 9/1958 Baranov et al. D32/16
- D. 202,170 9/1965 Little et al. D32/16

- D. 206,576 1/1967 Knapp et al. D32/16
- D. 263,475 3/1982 Block D32/16
- D. 274,380 6/1984 Palmer D32/16
- D. 284,413 6/1986 Marshall D32/15
- D. 290,053 5/1987 Block D32/15
- D. 290,054 5/1987 Block D32/15

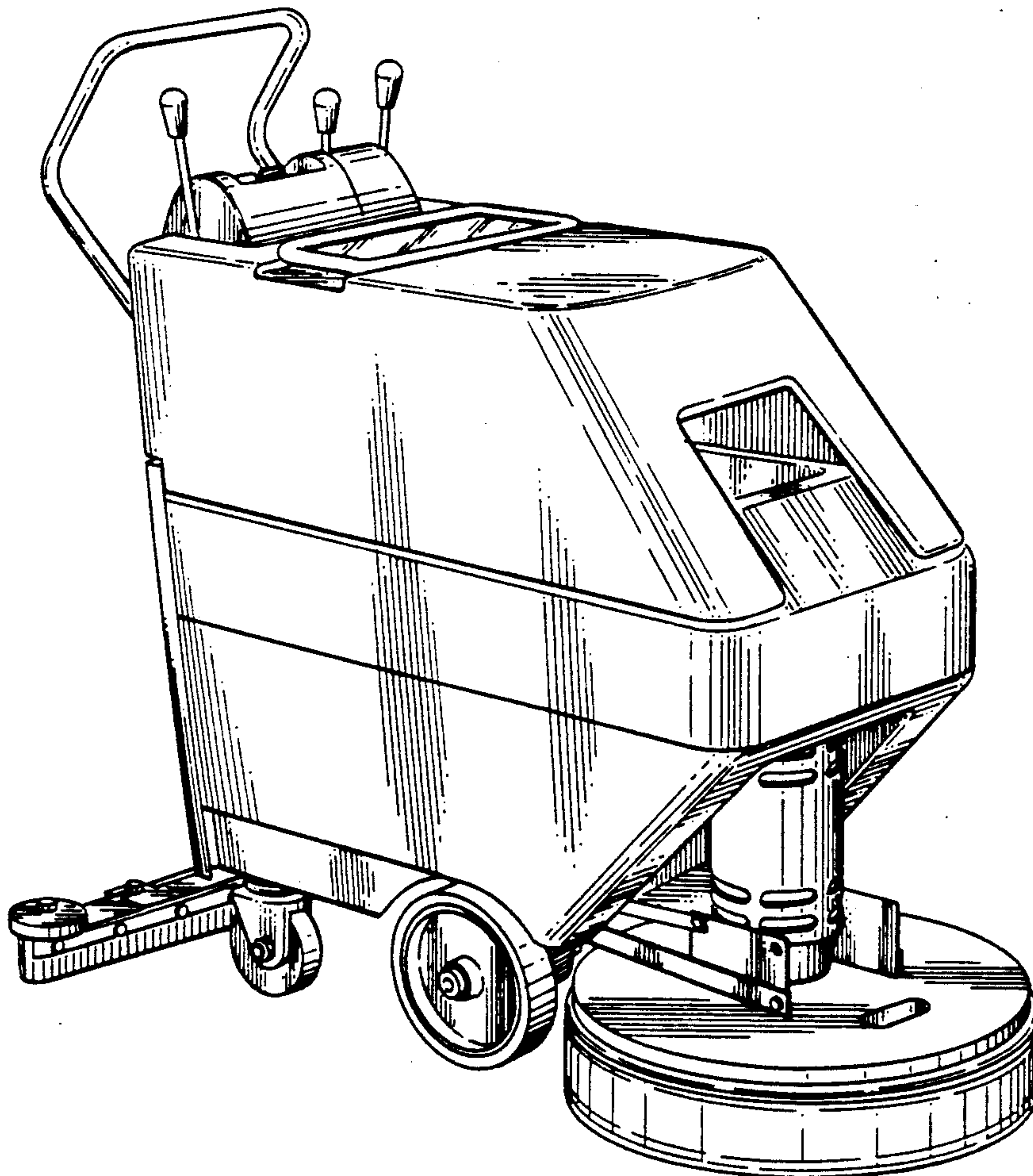
Primary Examiner—A. Hugo Word
Assistant Examiner—Ruth McInroy
Attorney, Agent, or Firm—W. Scott Carson

[57] **CLAIM**

The ornamental design for a floor scrubber, as shown and described.

DESCRIPTION

FIG. 1 is a perspective view of a floor scrubber showing our new design;
FIG. 2 is a right side elevational view thereof;
FIG. 3 is a front elevational view thereof;
FIG. 4 is a left side elevational view thereof;
FIG. 5 is a rear elevational view thereof;
FIG. 6 is a top plan view thereof; and,
FIG. 7 is a bottom plan view thereof.



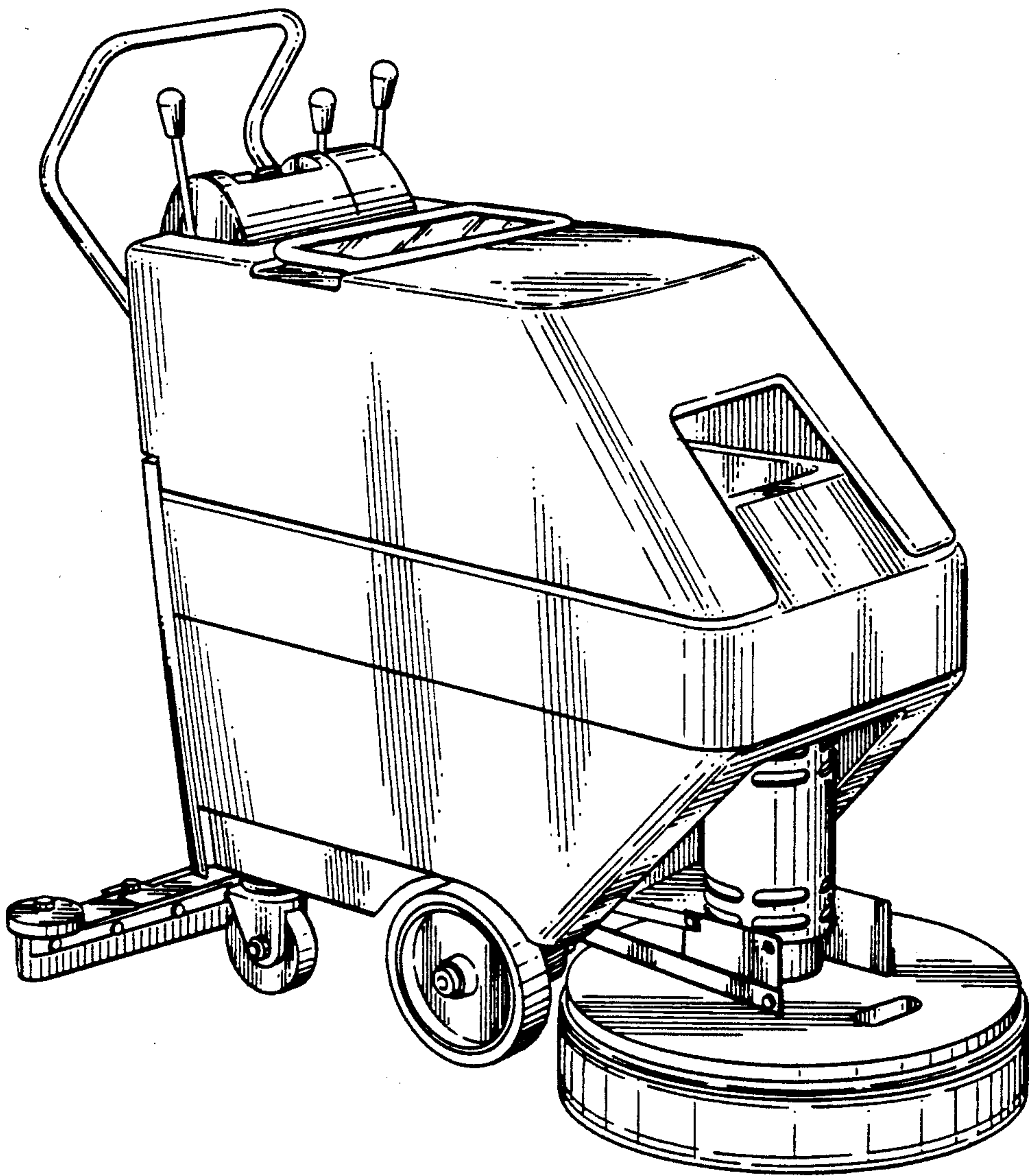


Fig. 1

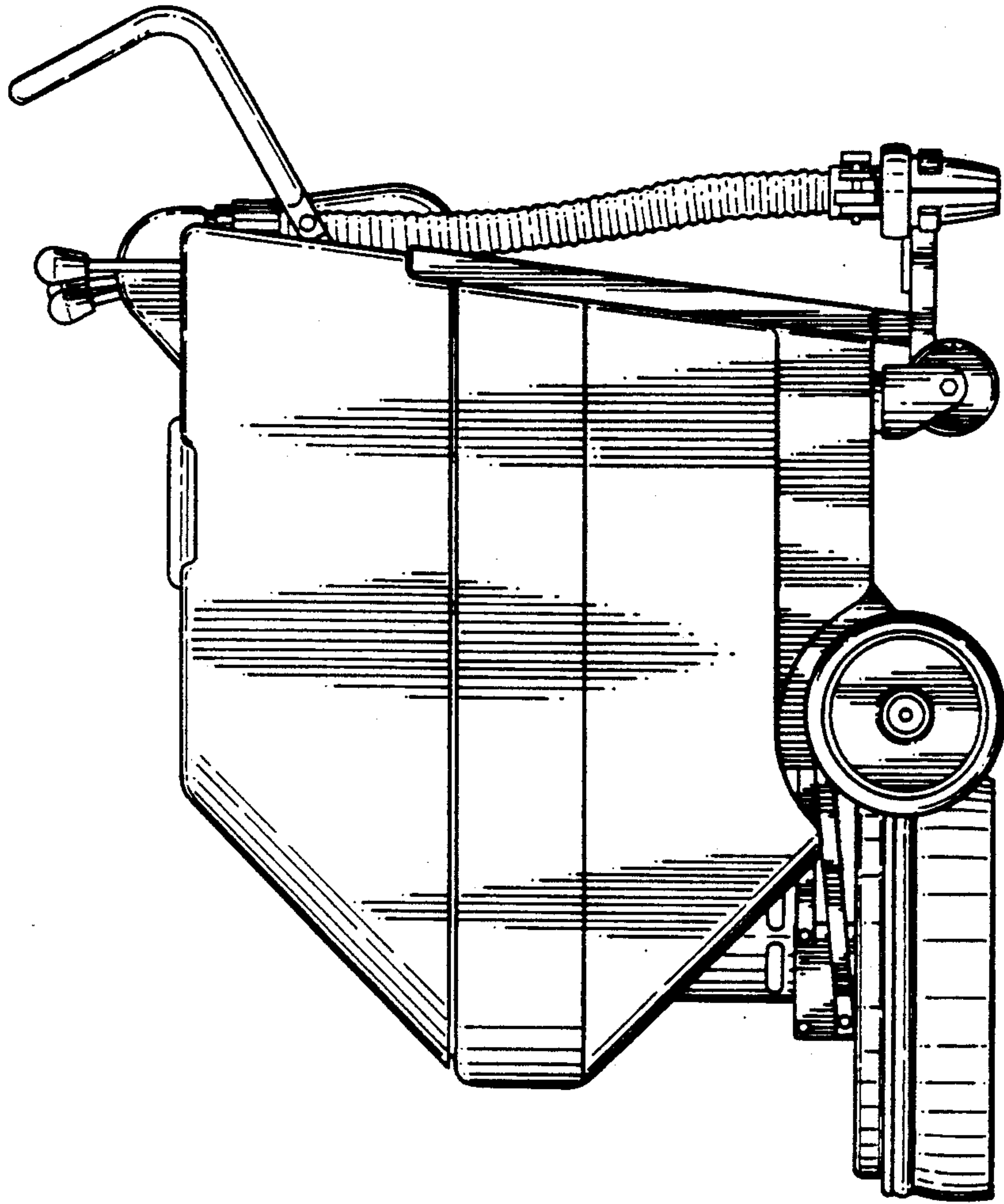


Fig. 2

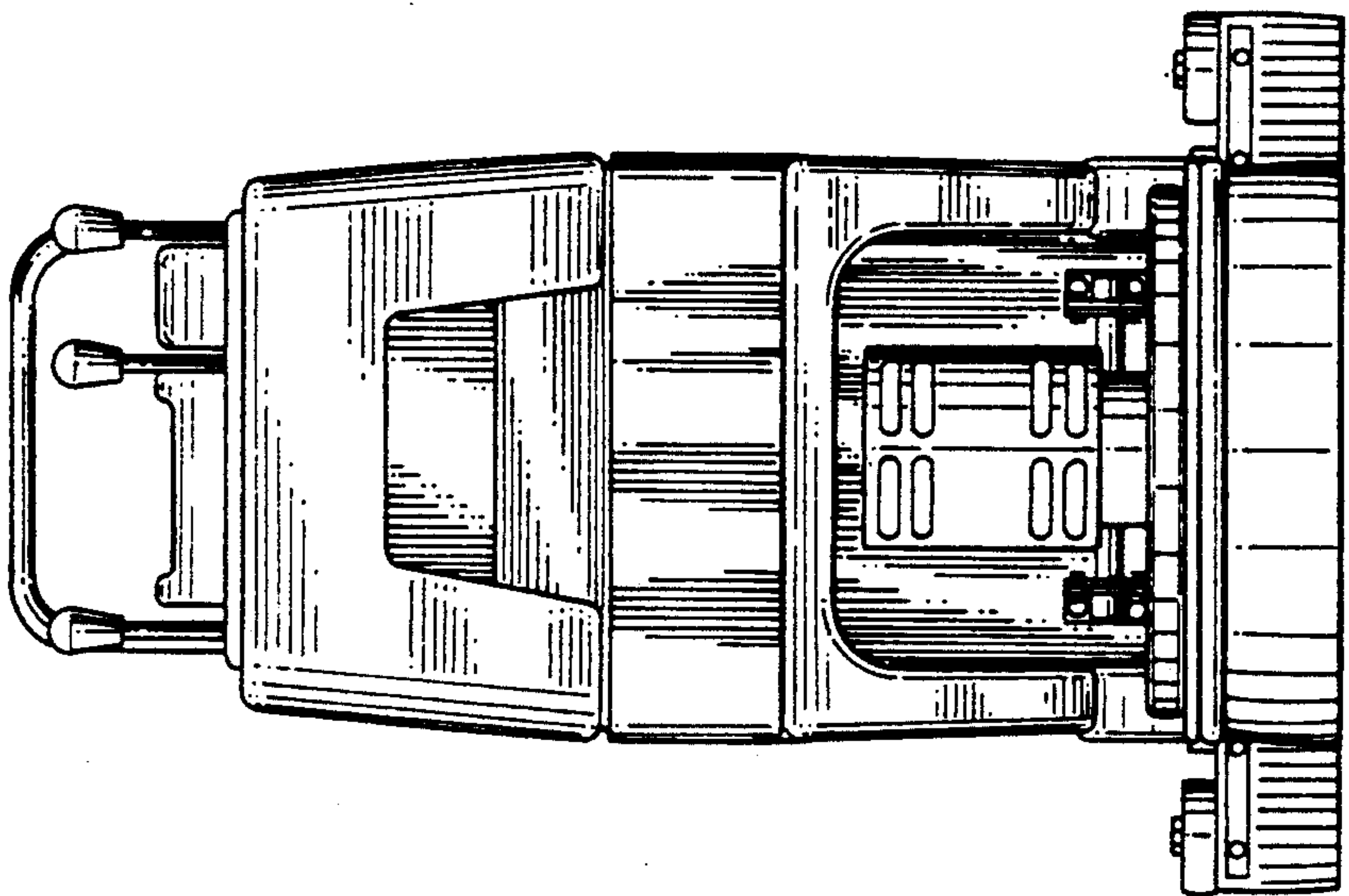


Fig. 3

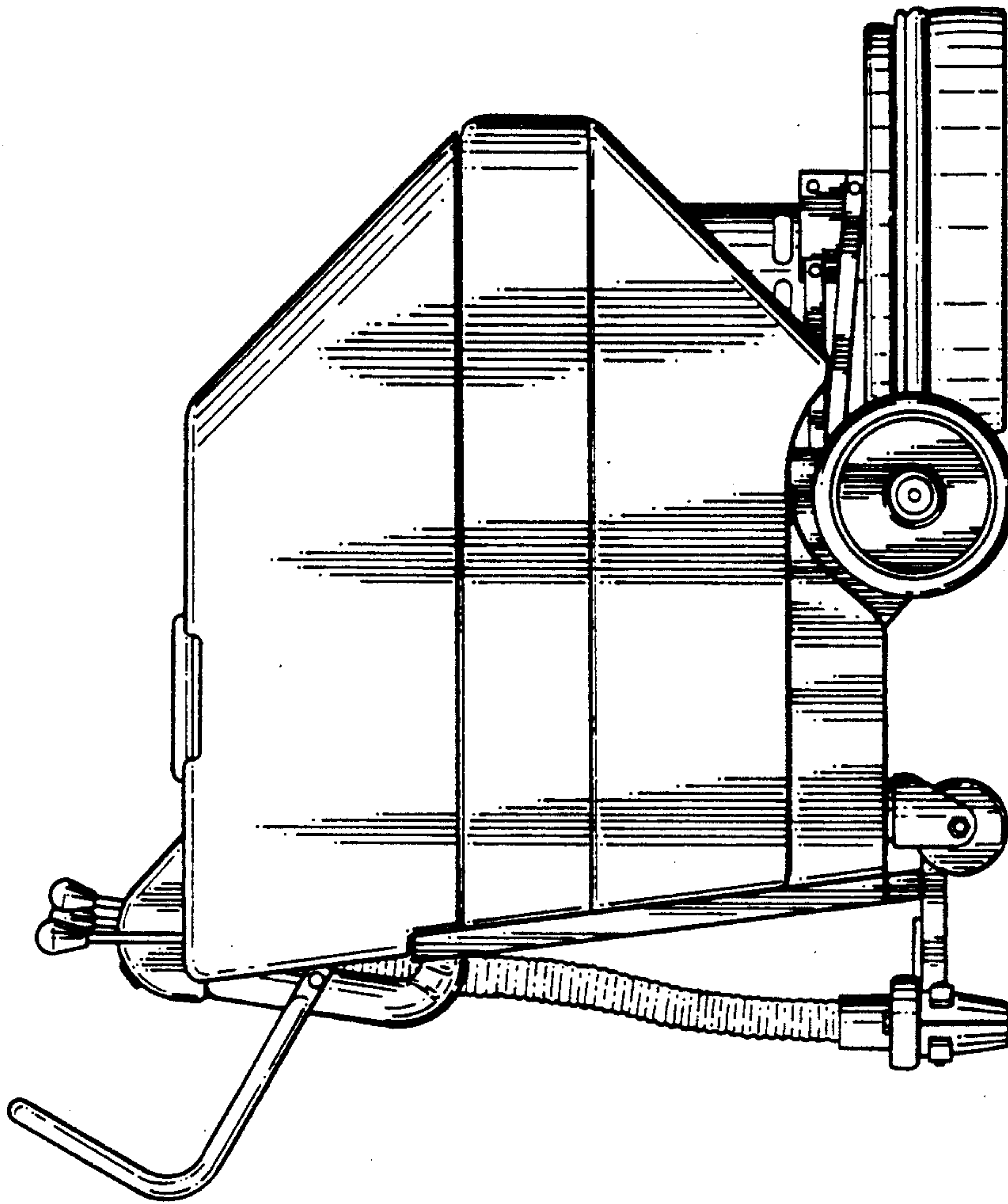


Fig. 4

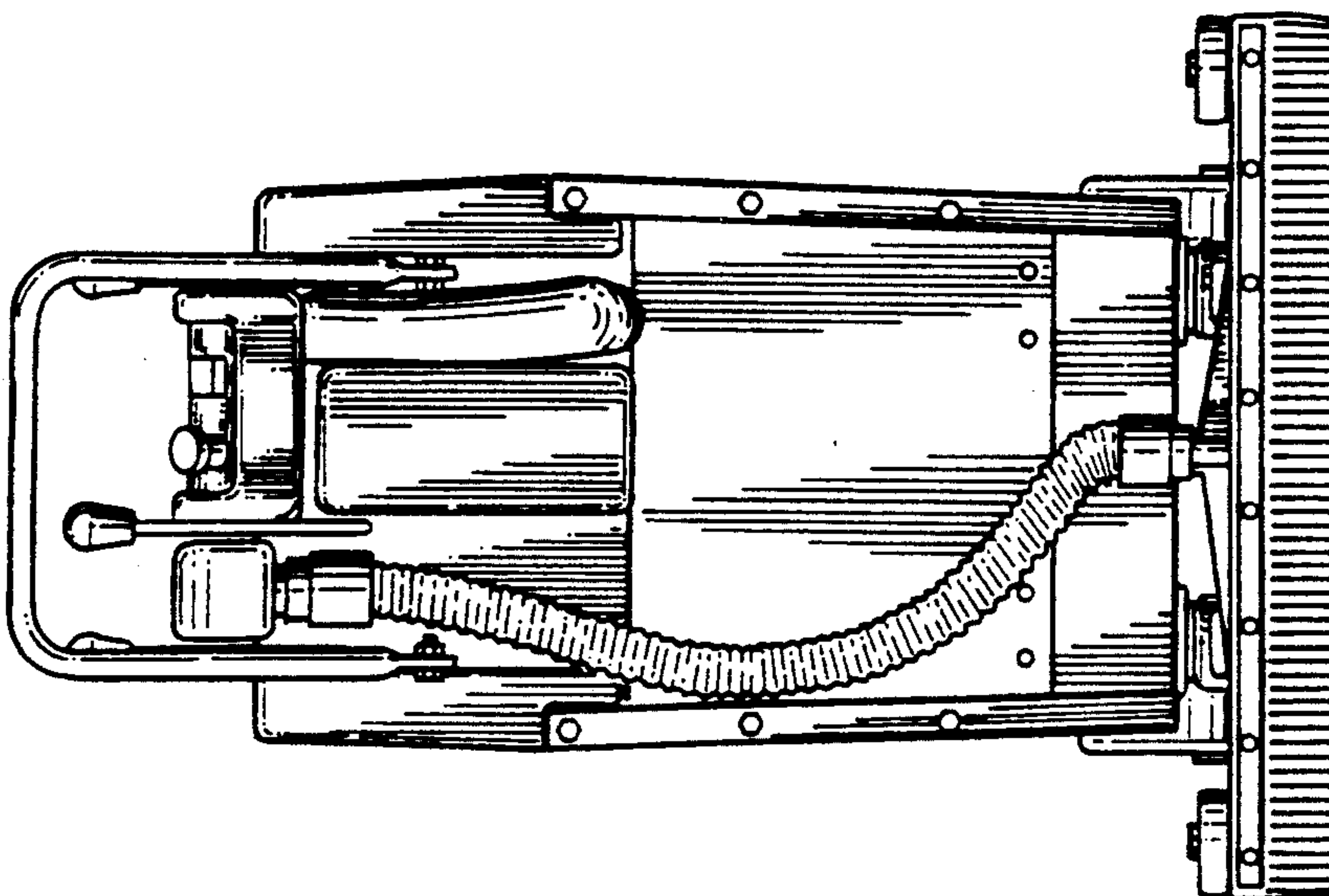


Fig. 5

Fig. 6

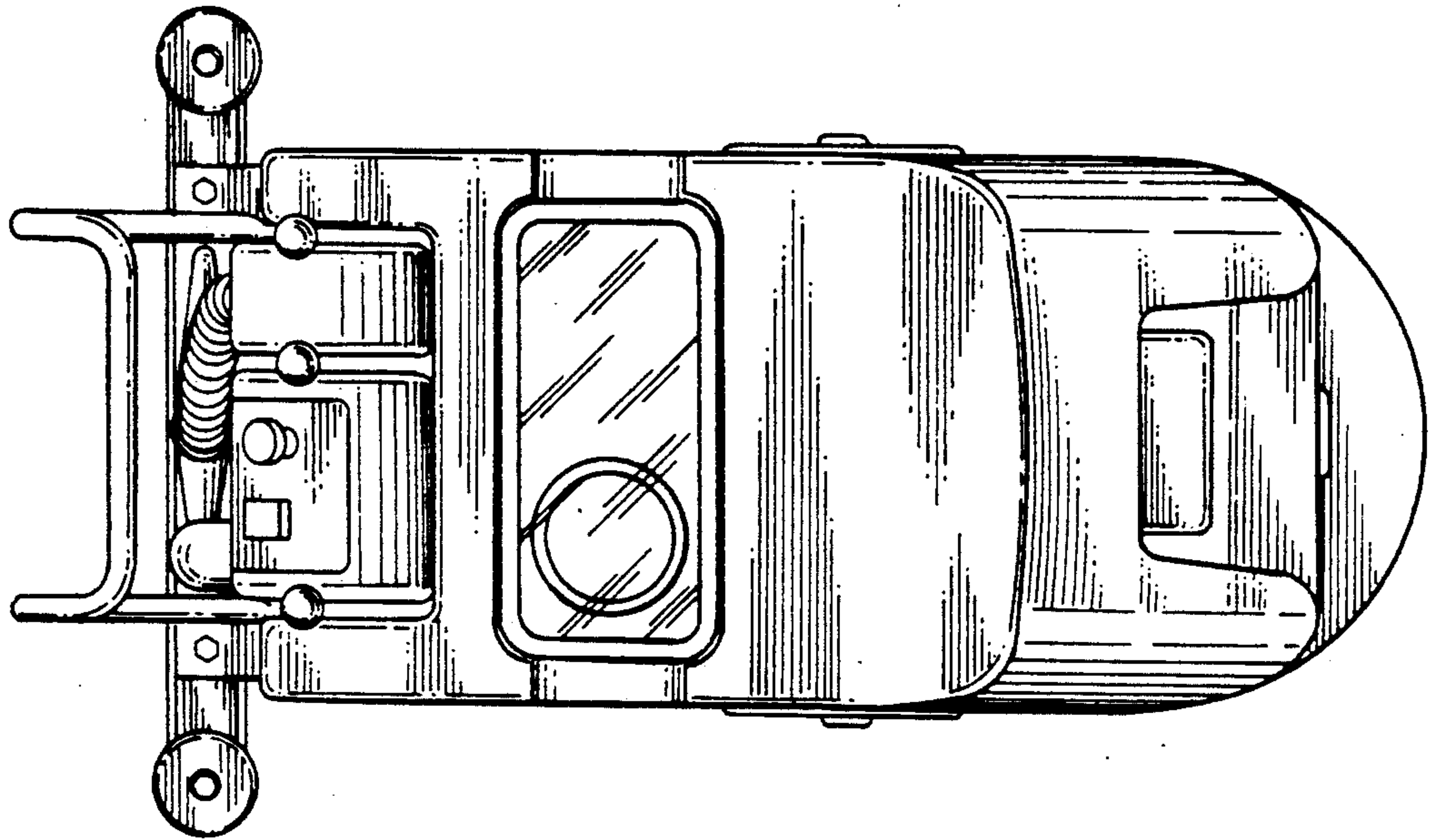


Fig. 7

