



US00D332157S

# United States Patent [19]

Patterson

[11] Patent Number: **Des. 332,157**

[45] Date of Patent: **\*\* Dec. 29, 1992**

[54] **LIVESTOCK MARKING CHALK HOLDER**

[76] Inventor: **David D. Patterson, R.R. 1, Stanton, Iowa 51573**

[\*\*] Term: **14 Years**

[21] Appl. No.: **528,470**

[22] Filed: **May 25, 1990**

[52] U.S. Cl. .... **D30/155**

[58] Field of Search ..... 119/174, 50.7; 401/88, 401/89, 95, 202, 94; 206/446; D30/155, 199

[56] **References Cited**

### U.S. PATENT DOCUMENTS

414,465	11/1889	Weeks	401/94
1,476,965	12/1923	Grant	401/88
1,510,934	10/1924	Grant	401/88
1,557,608	10/1925	Perkins	401/88
1,969,066	8/1934	Flink	206/446
2,792,631	5/1957	Nock	401/88

3,788,276	1/1974	Propst et al.	119/174
3,939,967	2/1976	Tenney et al.	206/446
4,382,512	5/1983	Furminger	206/446
4,700,448	10/1987	Parker	401/98
4,890,944	1/1990	Cousins et al.	401/98

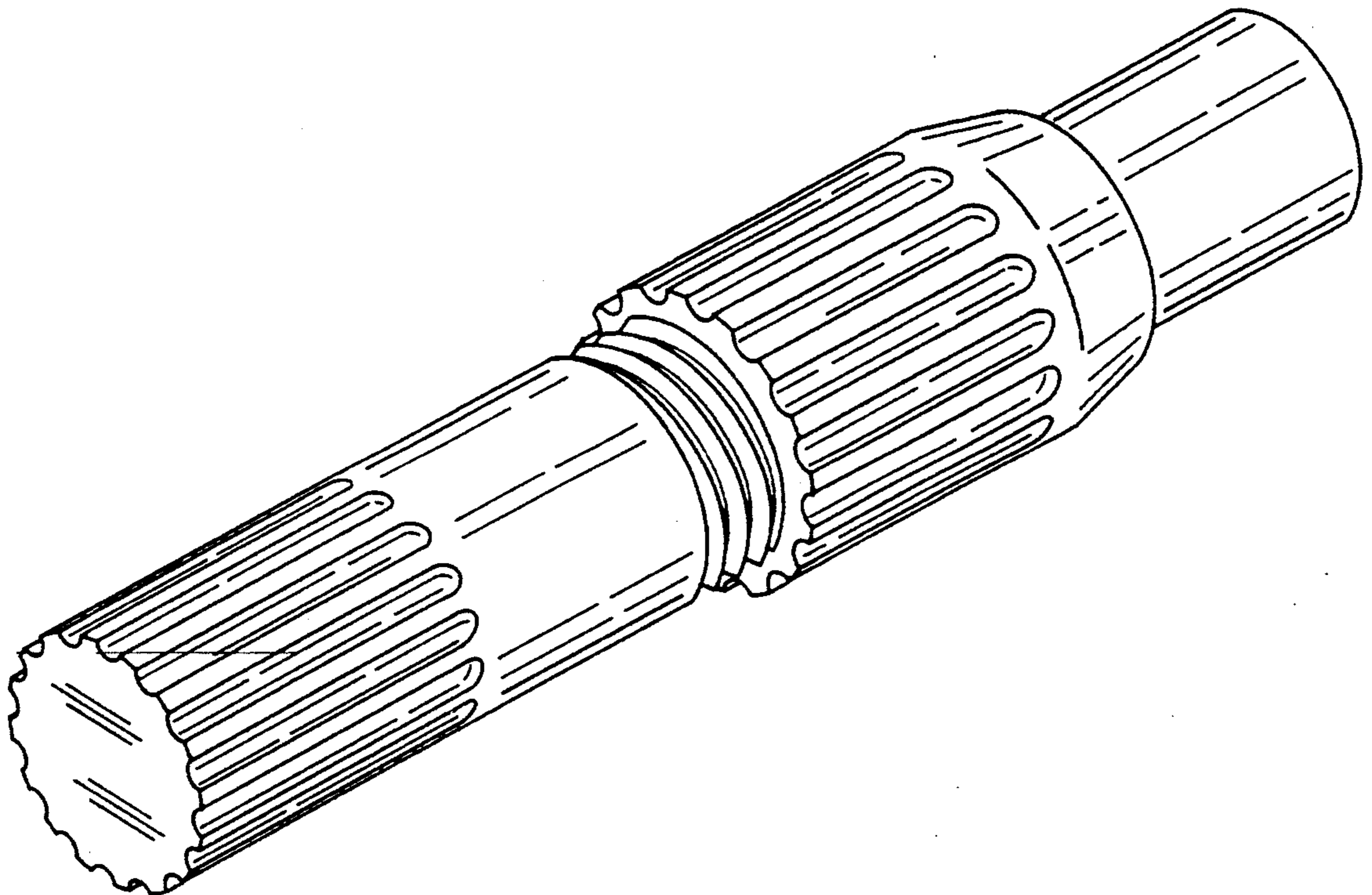
*Primary Examiner*—A. Hugo Word  
*Assistant Examiner*—Cathy Anne MacCormac  
*Attorney, Agent, or Firm*—John A. Beehner

### [57] CLAIM

The ornamental design for a livestock marking chalk holder, as shown and described.

### DESCRIPTION

FIG. 1 is a perspective view of a livestock marking chalk holder showing my new design;  
FIG. 2 is a side elevational view thereof, all other sides being identical to the side shown;  
FIG. 3 is a front elevational view thereof; and,  
FIG. 4 is a rear elevational view thereof.



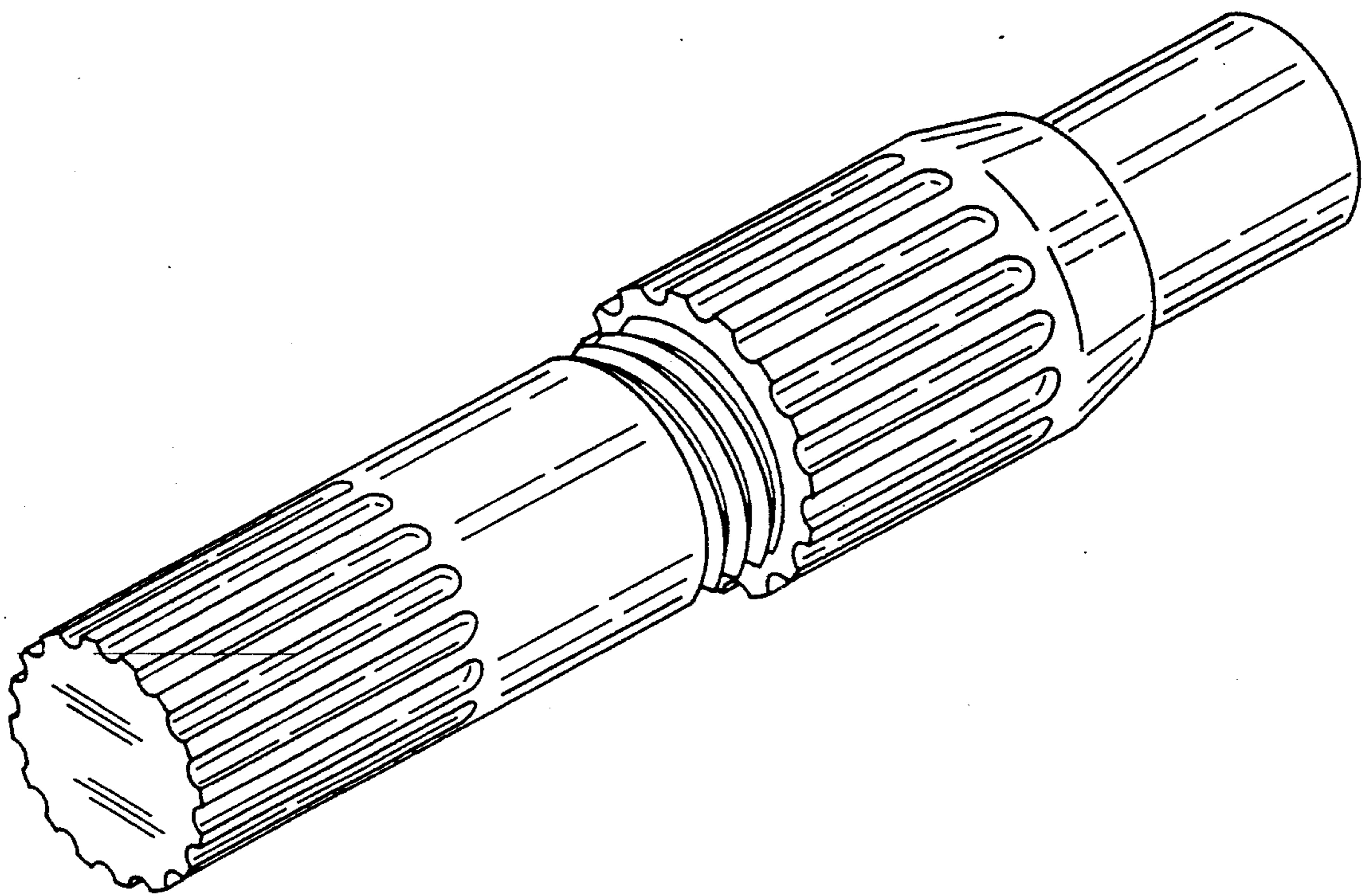


FIG. 1

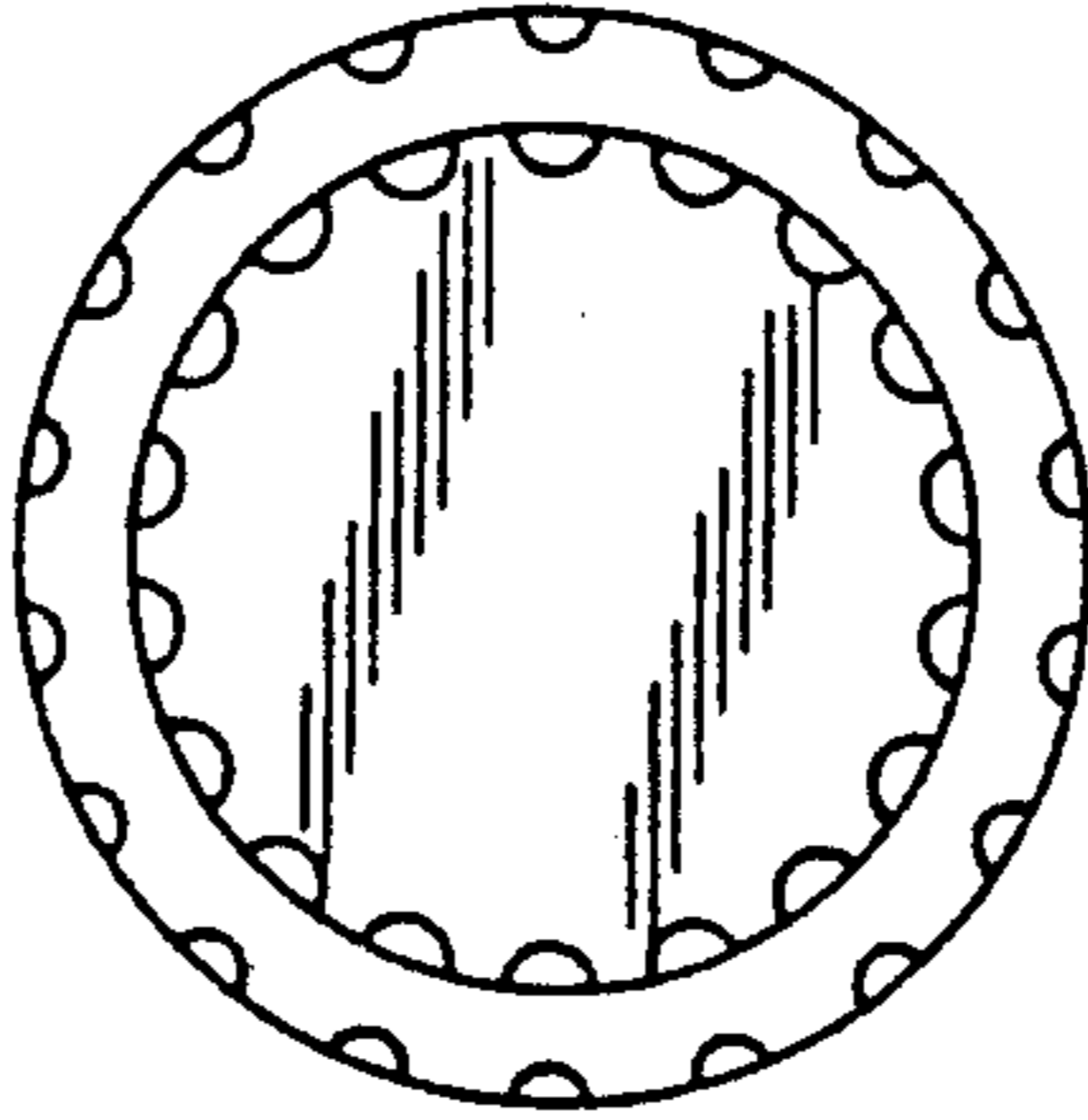


FIG. 4

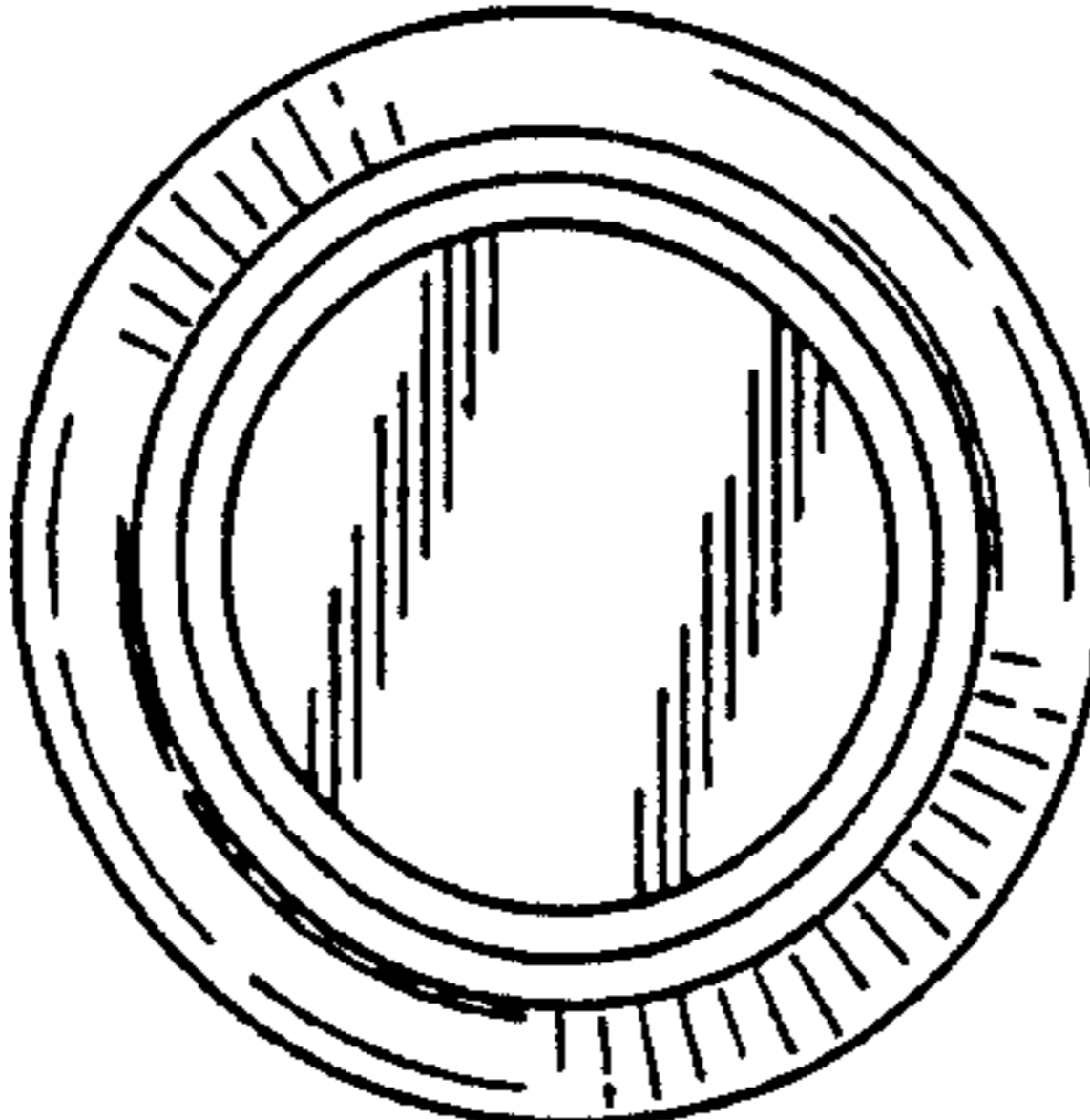


FIG. 3

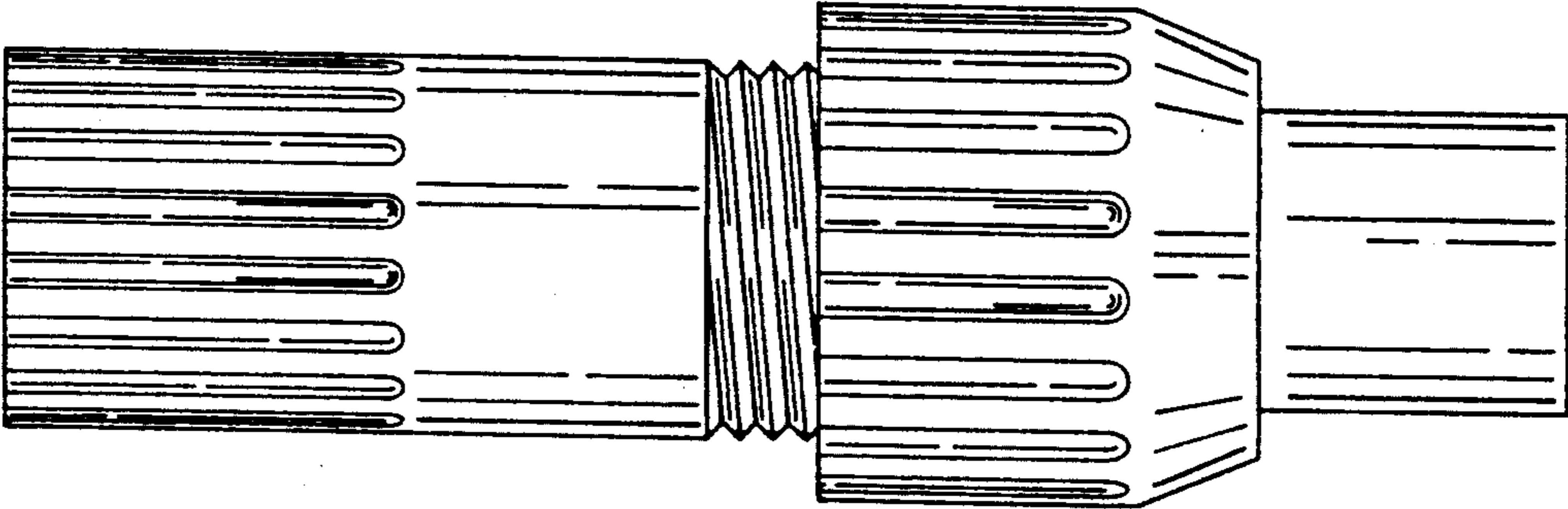


FIG. 2