



US00D332154S

# United States Patent [19]

[11] Patent Number: **Des. 332,154**

Wang

[45] Date of Patent: **\*\* Dec. 29, 1992**

[54] **WALL MOUNTED HAIR DRYER**

[76] Inventor: **Chao M. Wang**, No. 2-1, Ming Sheng St., Kuan Miao Hsiang, Tainan Hsien, Taiwan

[\*\*] Term: **14 Years**

[21] Appl. No.: **595,929**

[22] Filed: **Oct. 11, 1990**

[52] U.S. Cl. .... **D28/12**

[58] Field of Search ..... **D28/12-18;**  
132/212, 271, 272; 392/380, 381, 379;  
34/96-101

[56] **References Cited**

**U.S. PATENT DOCUMENTS**

D. 265,514	7/1982	Abe et al. ....	D28/12
D. 269,819	7/1983	Froidevaux .....	D28/12
D. 292,237	10/1987	Rubin .....	D28/12
D. 304,096	10/1989	Nithardt .....	D28/12
D. 317,514	6/1991	Sasso .....	D28/12

*Primary Examiner*—Bernard Ansher

*Assistant Examiner*—C. Tuttle

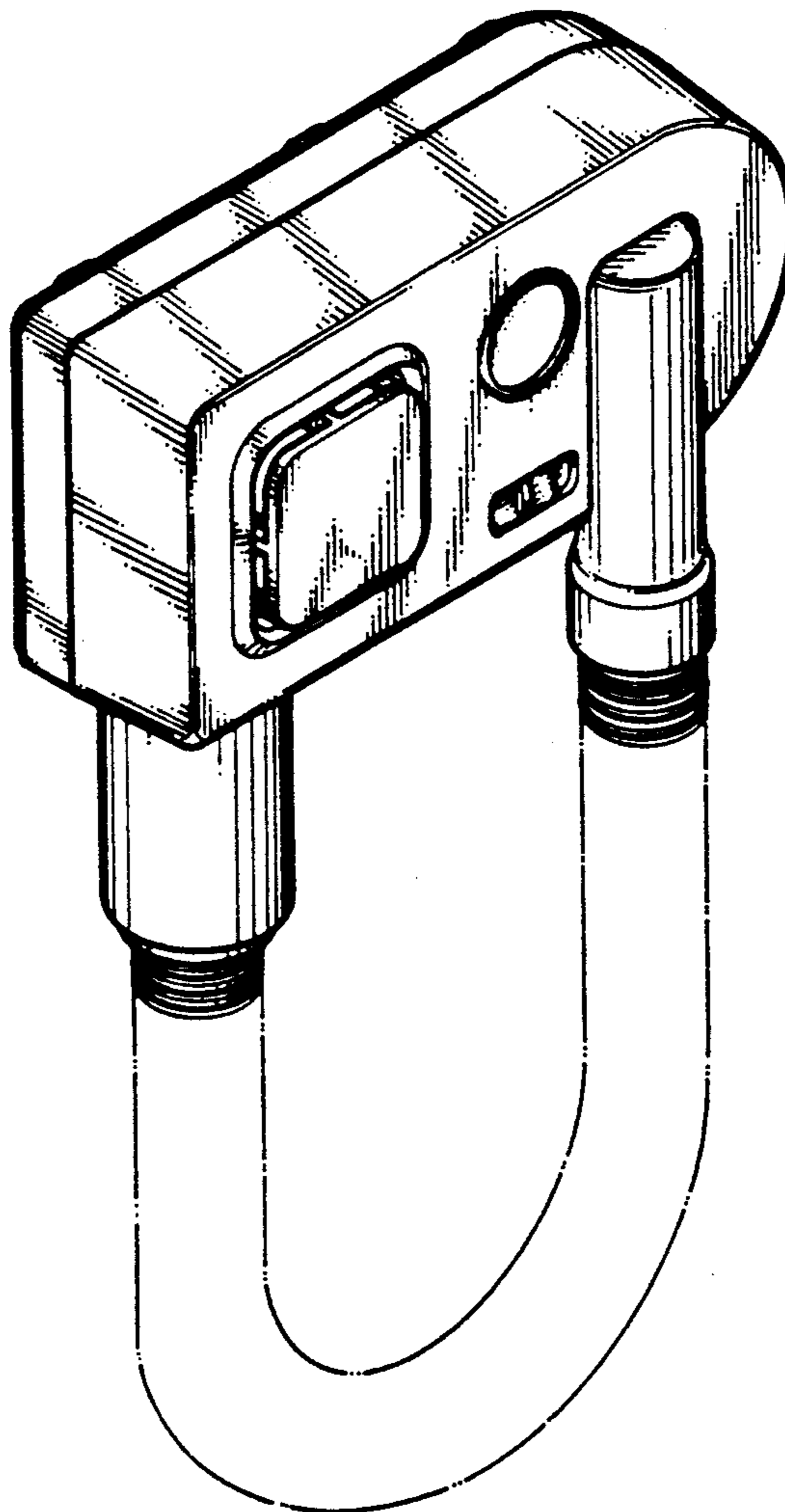
*Attorney, Agent, or Firm*—Dellett, Smith-Hill and Bedell

[57] **CLAIM**

The ornamental design for a wall mounted hair dryer, as shown and described.

**DESCRIPTION**

FIG. 1 is a perspective view of a wall mounted hair dryer showing my new design; FIG. 2 is a front elevational view thereof; FIG. 3 is a rear elevational view thereof; FIG. 4 is a top plan view thereof; FIG. 5 is a bottom plan view thereof; FIG. 6 is a left side elevational view thereof; and, FIG. 7 is a right side elevational view thereof. The portions of the base element shown fragmentarily in the various views are understood to continue throughout the region bounded by the broken lines in FIGS. 1-7.



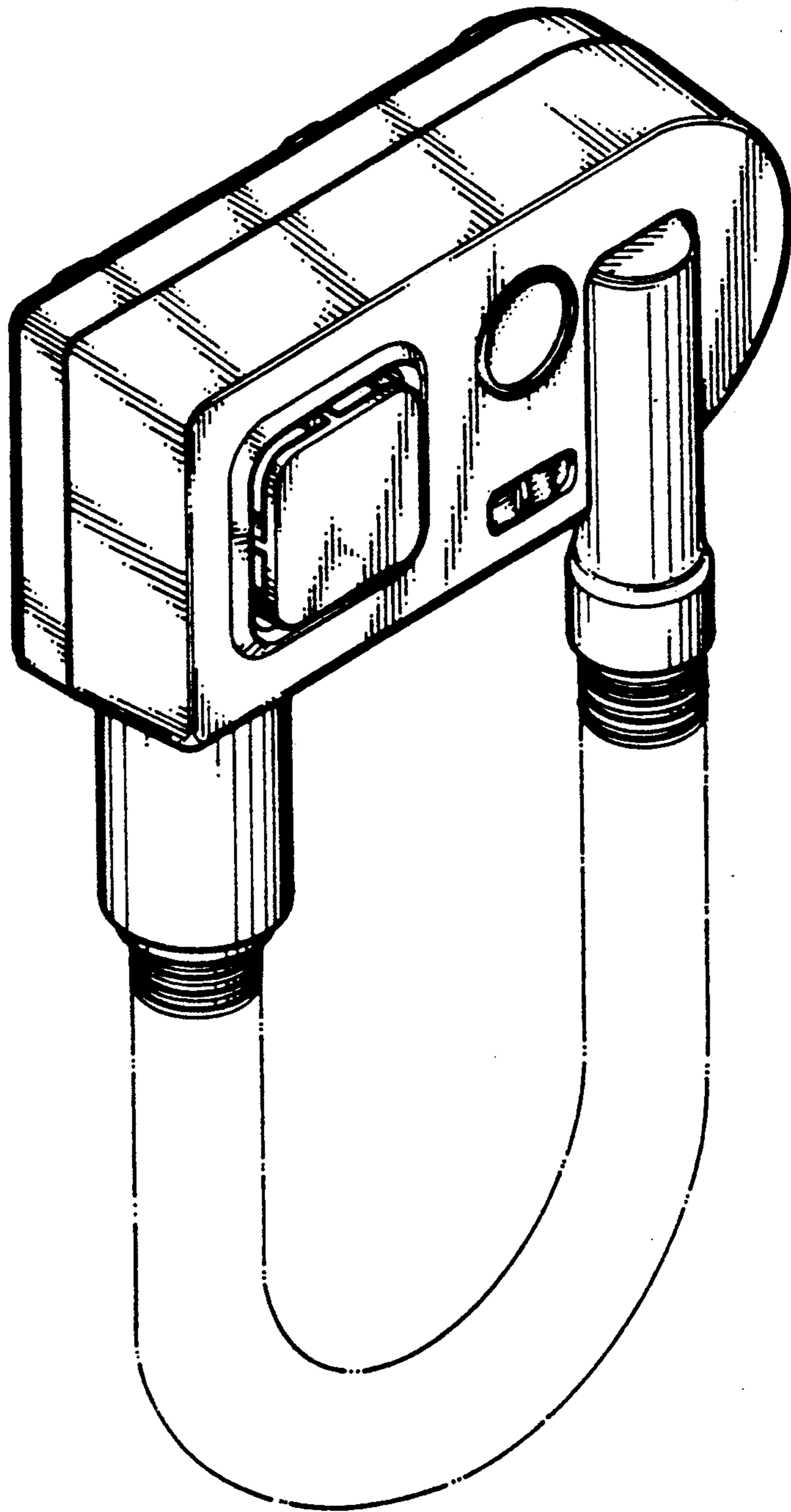


FIG. 1

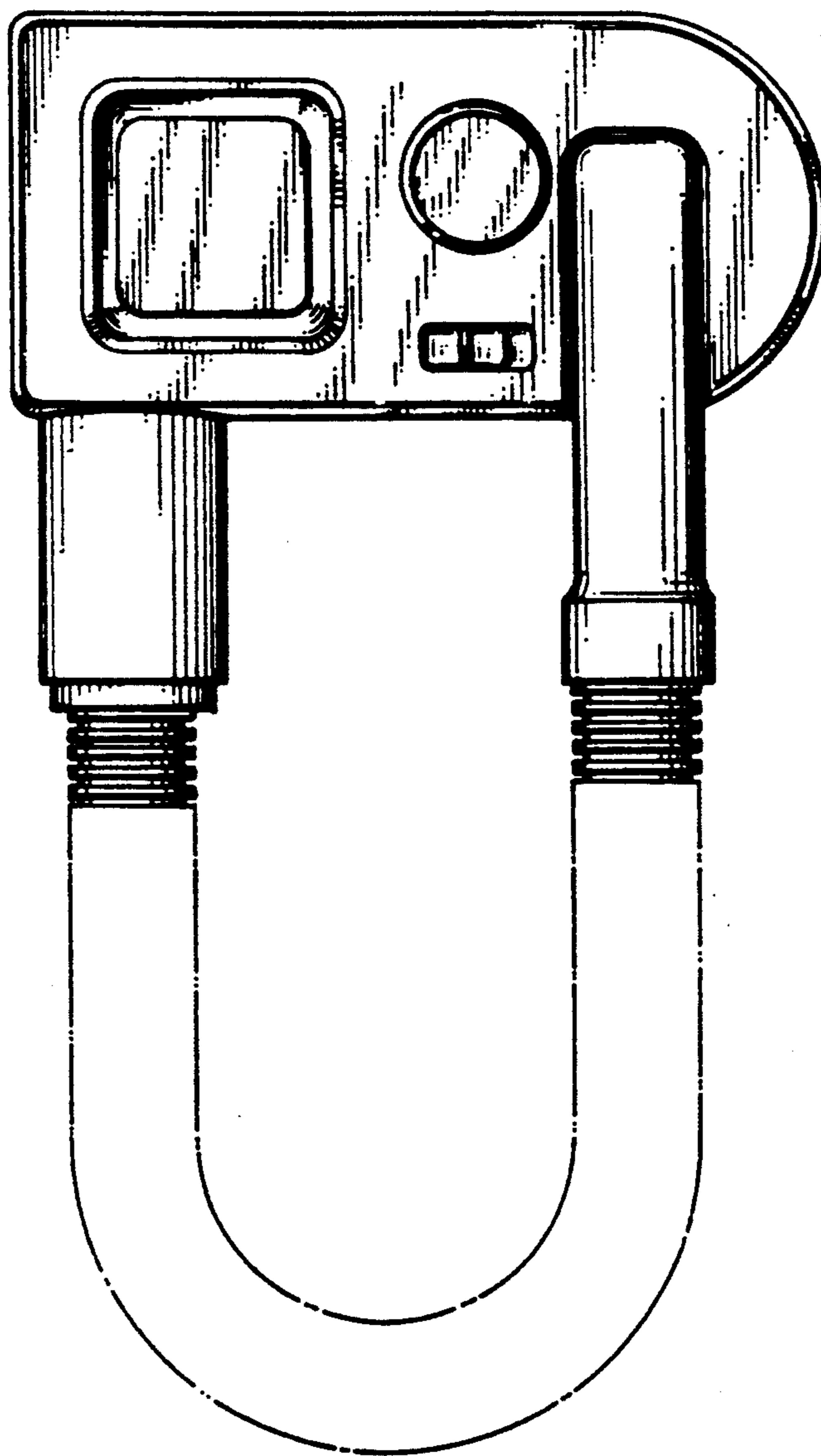


FIG. 2

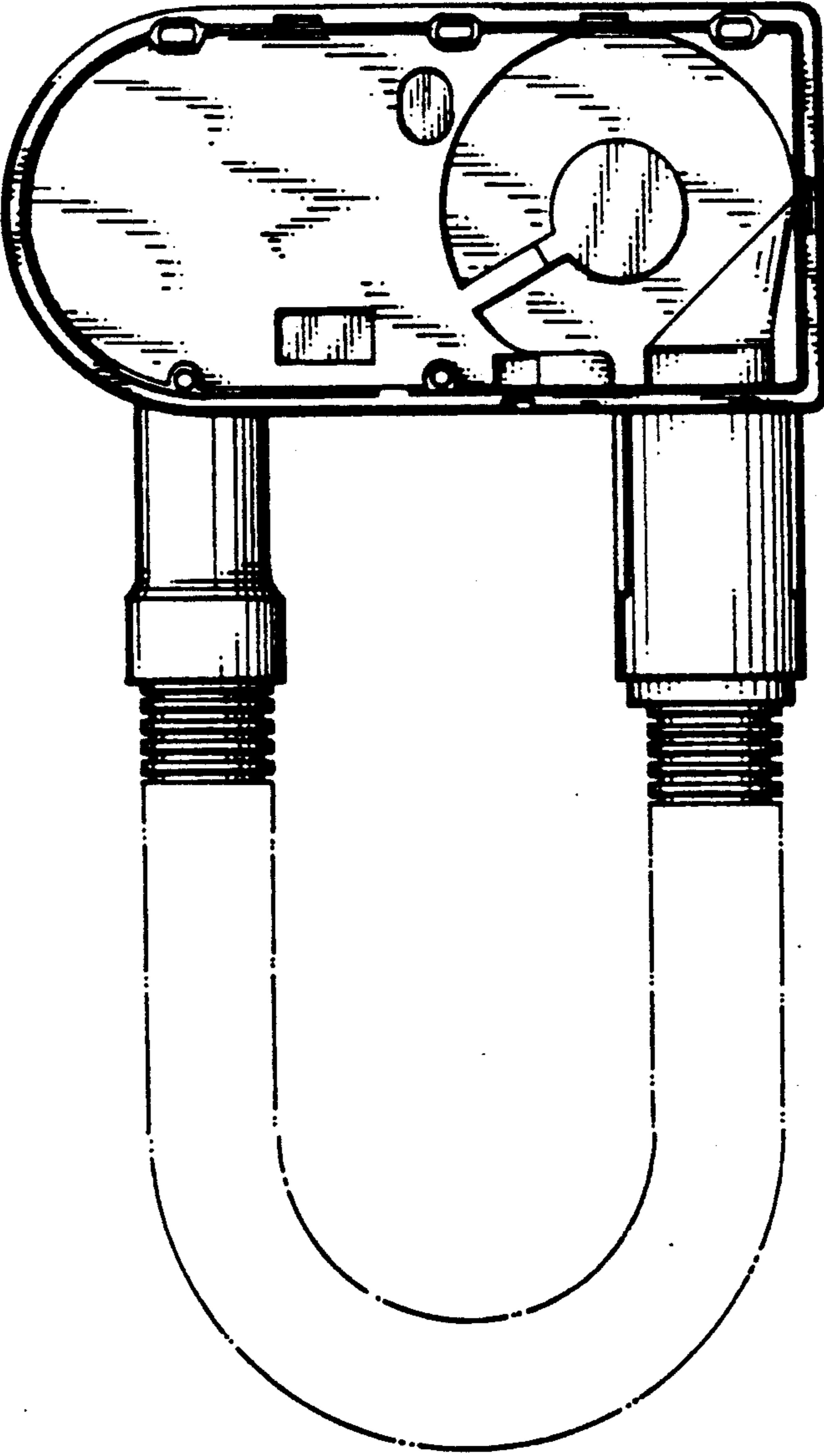


FIG. 3

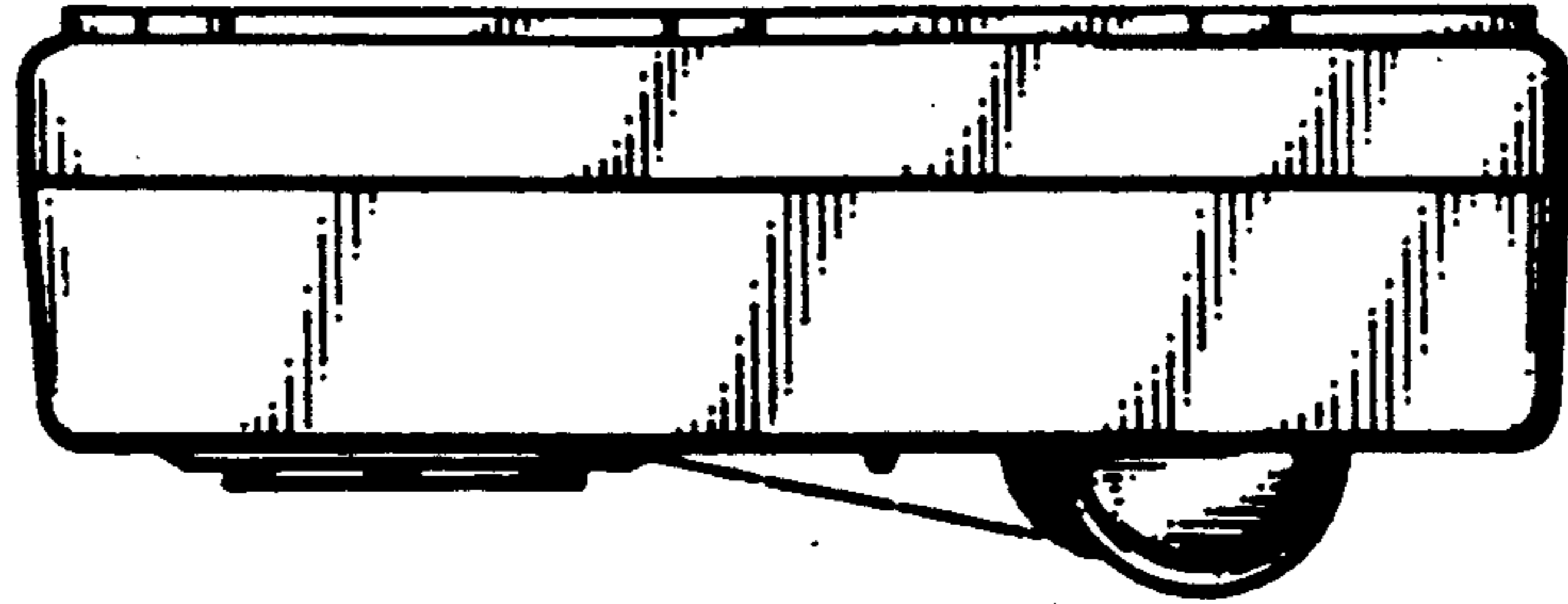


FIG. 4

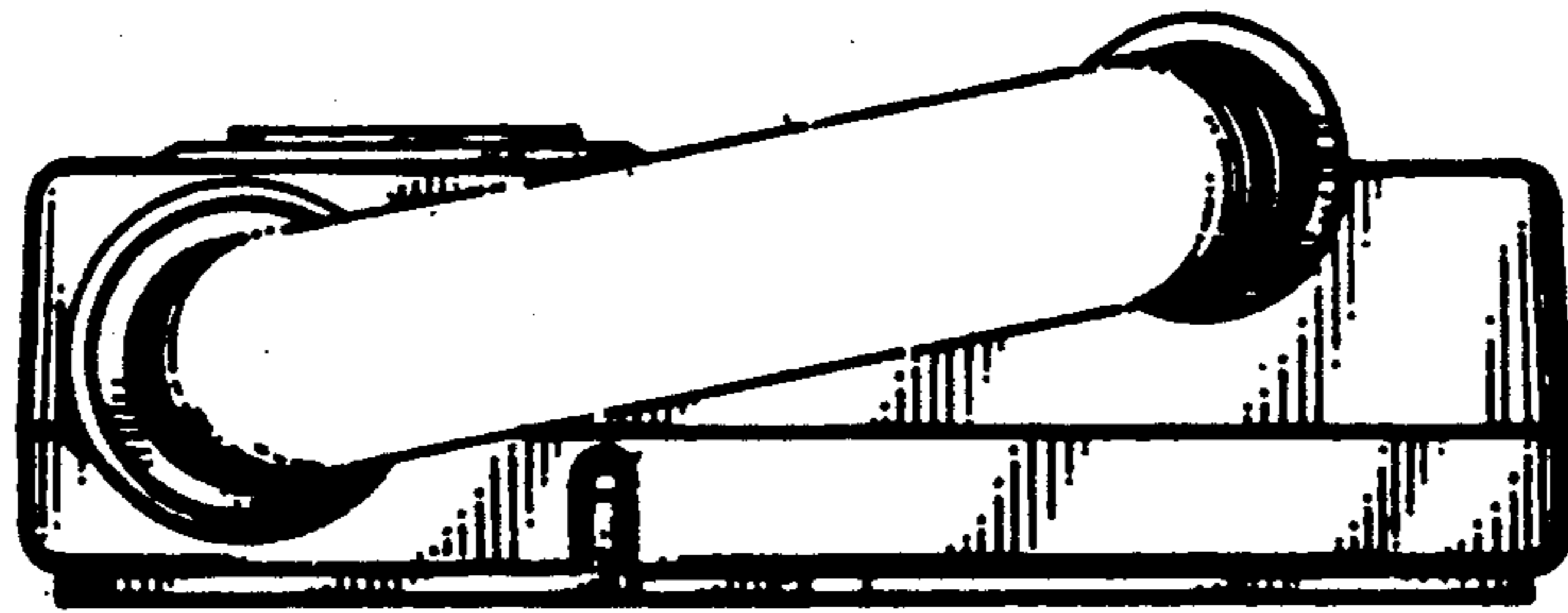


FIG. 5

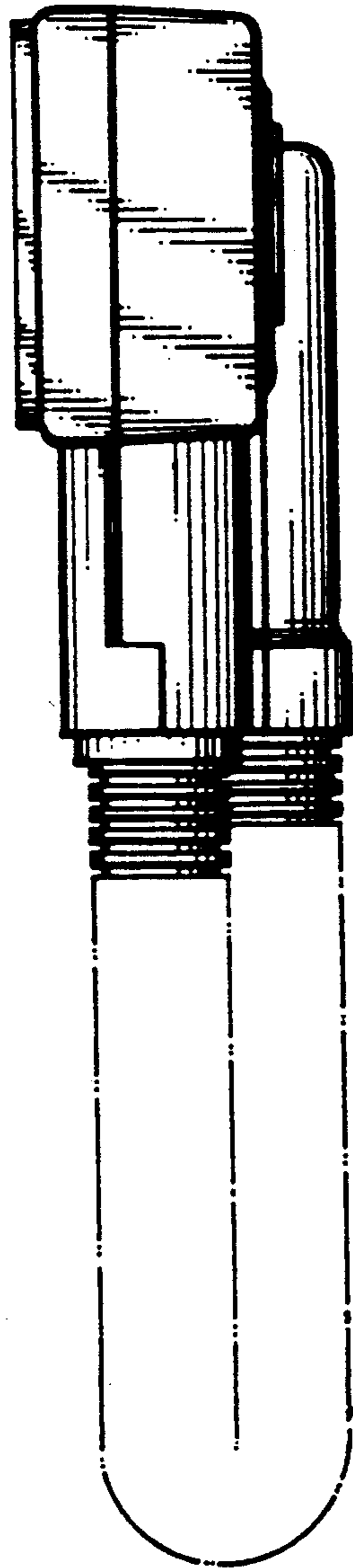


FIG. 6

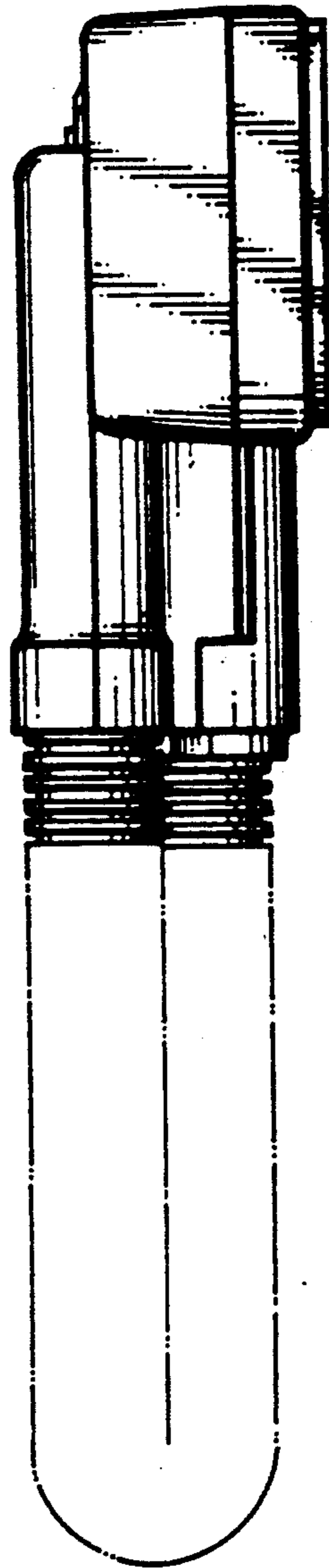


FIG. 7