



US00D332153S

United States Patent [19]

[11] Patent Number: **Des. 332,153**

Butler

[45] Date of Patent: **** Dec. 29, 1992**

[54] **COMBINED SUNTAN LOTION
APPLICATOR AND CAP THEREFOR**

4,927,283 5/1990 Fitjer 401/196 X

[76] Inventor: **Michael T. Butler**, 5610 Woodmont
Blvd., Norcross, Ga. 30071

FOREIGN PATENT DOCUMENTS

8202730 2/1984 Netherlands 401/207

[**] Term: **14 Years**

Primary Examiner—Bernard Ansher

Assistant Examiner—C. Tuttle

Attorney, Agent, or Firm—Jones, Askew & Lunsford

[21] Appl. No.: **576,740**

[57] CLAIM

[22] Filed: **Sep. 4, 1990**

The ornamental design for a combined suntan lotion applicator and cap therefor, as shown and described.

[52] U.S. Cl. **D28/7**

[58] Field of Search D28/7, 9, 63, 99;
D4/100-102, 114, 116, 137, 138, 199, 121-122;
D24/211, 214; 132/320; 401/6, 196, 137-140,
183, 200, 202-207, 262-264, 269

DESCRIPTION

[56] References Cited

U.S. PATENT DOCUMENTS

D. 252,219 6/1979 Peeples D28/7
D. 285,172 8/1986 Seuderi D28/7 X
D. 314,282 2/1991 Gingras D4/138
644,848 3/1900 Cline 401/202

FIG. 1 is a perspective view of a combined suntan lotion applicator and cap therefor showing my new design;

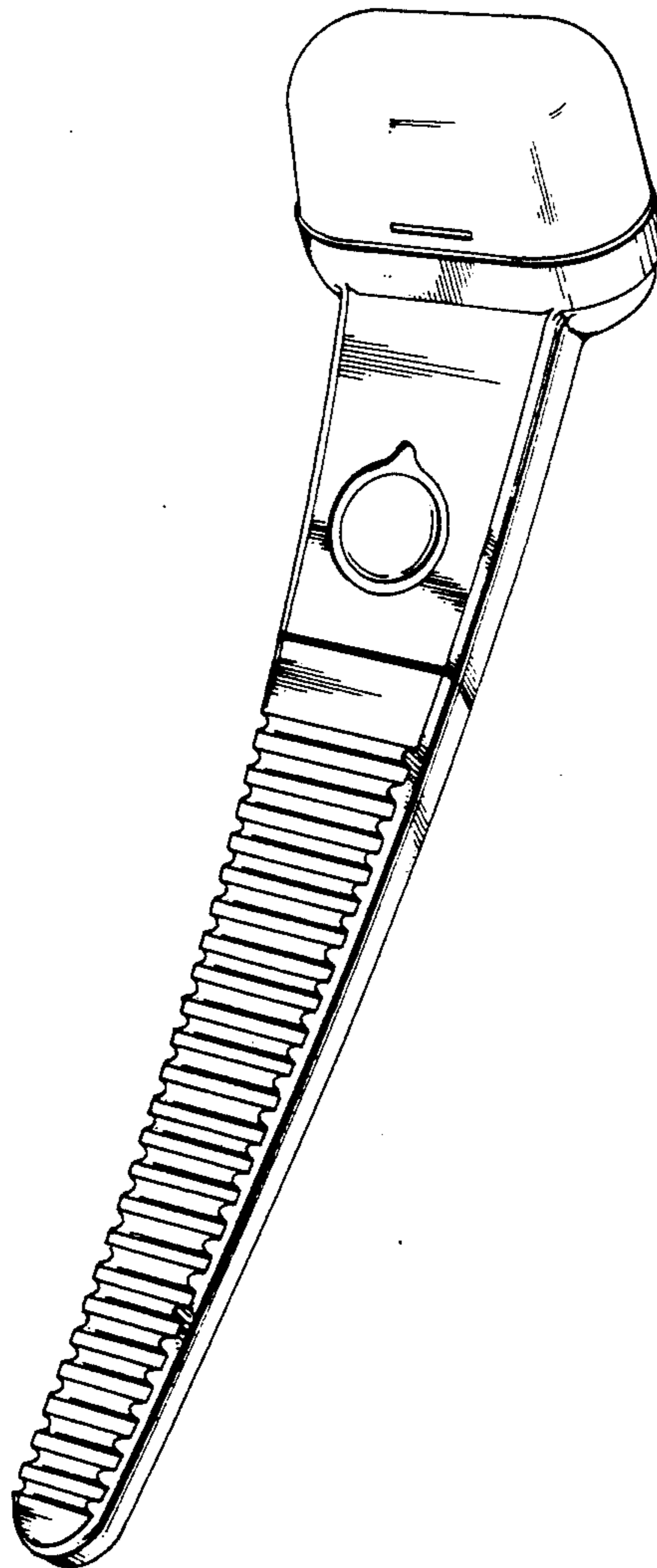
FIG. 2 is a front elevational view thereof;

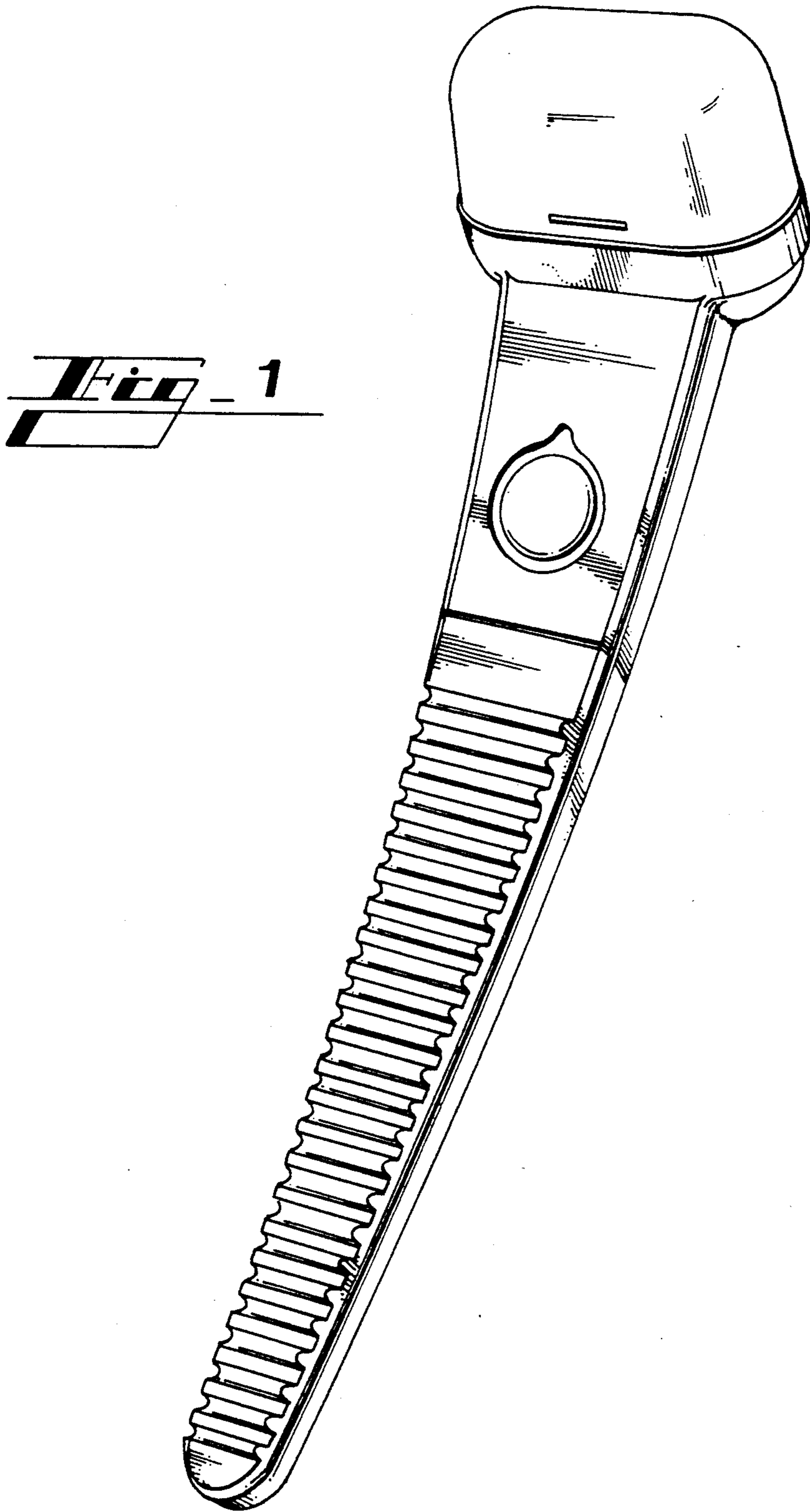
FIG. 3 is a right side elevational view thereof, the side opposite being a mirror image of the side shown;

FIG. 4 is a top plan view thereof;

FIG. 5 is a bottom plan view thereof; and,

FIG. 6 is a rear elevational view thereof.





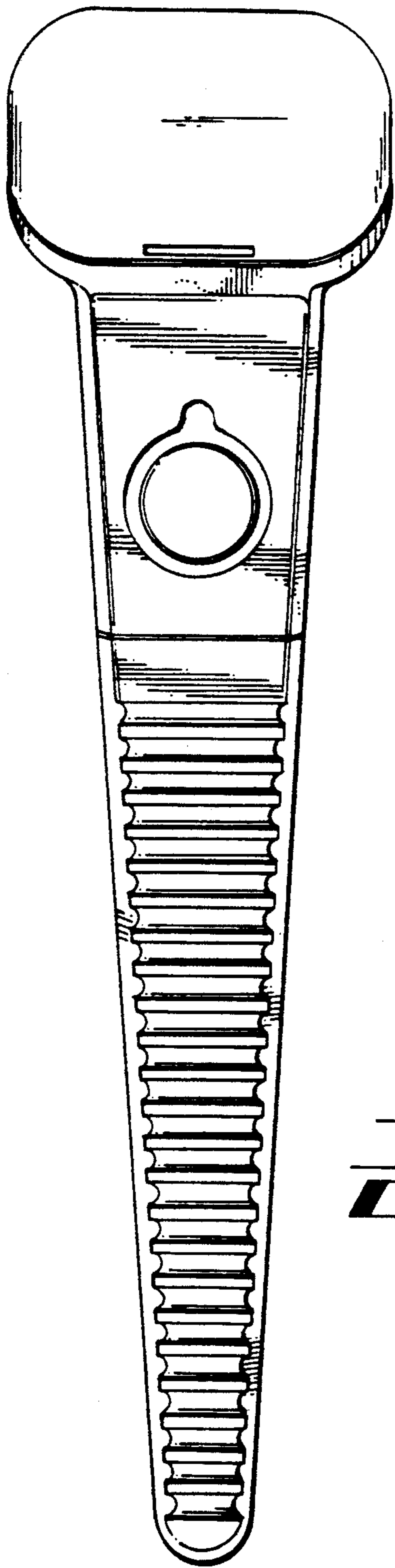


Fig. - 2

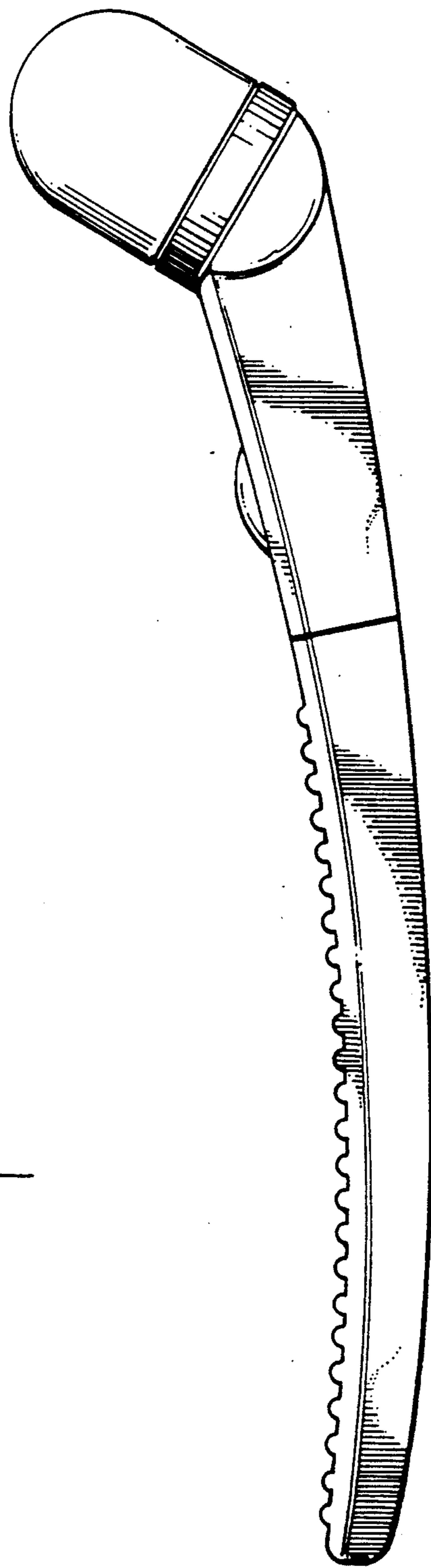


Fig. - 3

Fig. 6

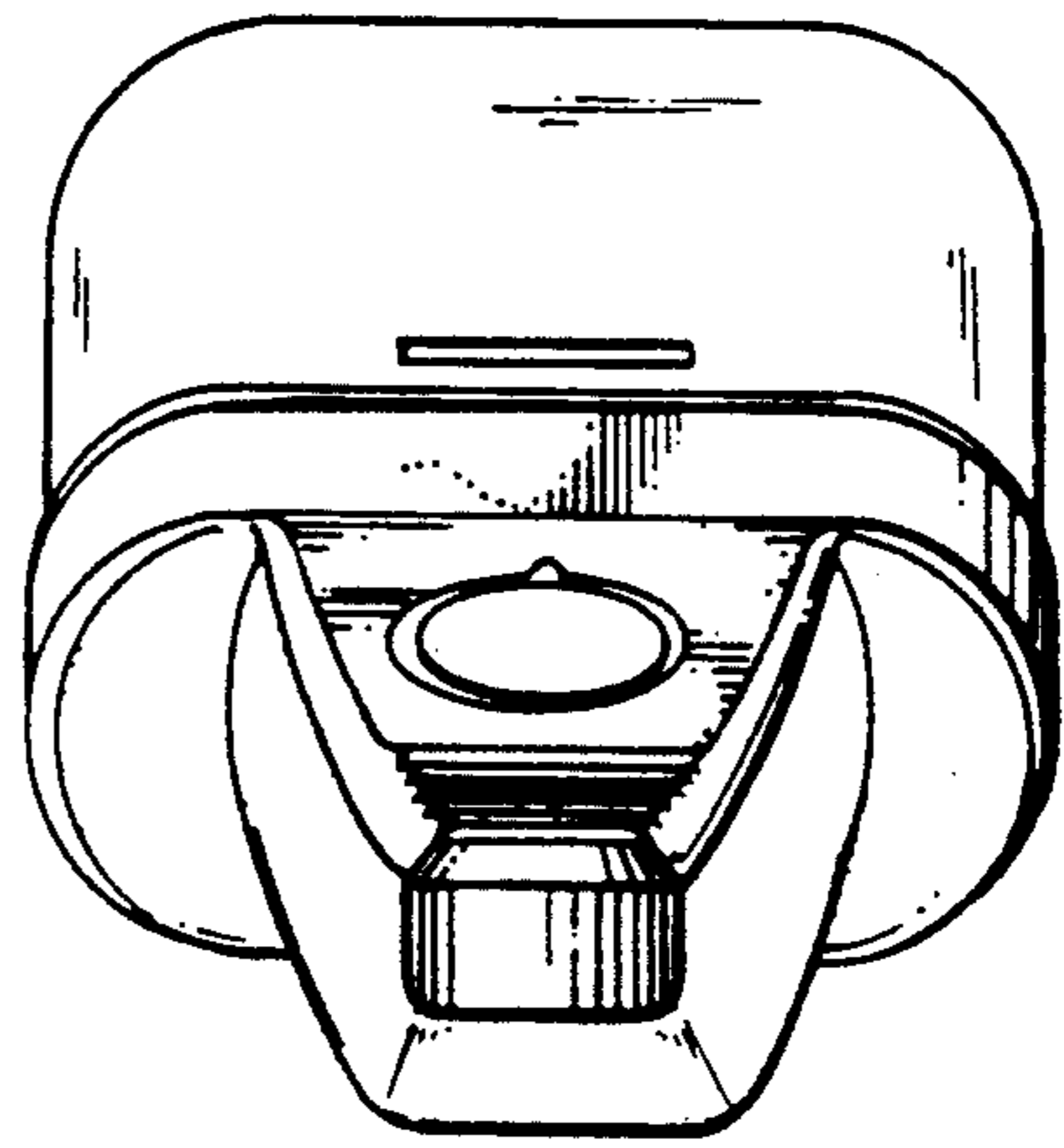
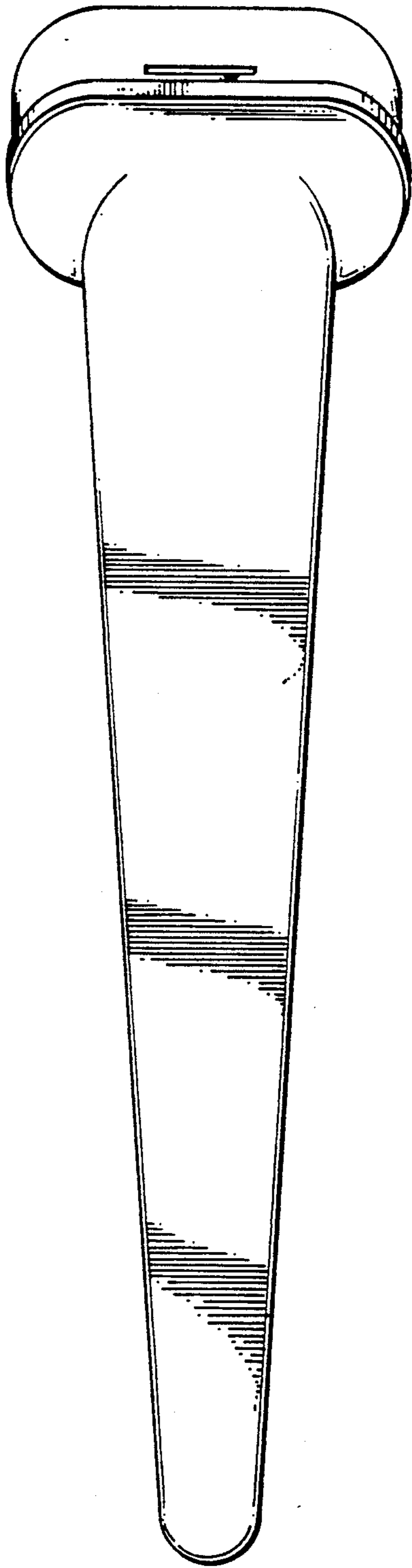


Fig. 5

Fig. 4

