



US00D332149S

United States Patent [19]

Bartlett

[11] Patent Number: **Des. 332,149**

[45] Date of Patent: **** Dec. 29, 1992**

[54] **MOLDING**

[75] Inventor: **Gary F. Bartlett, Muncy, Pa.**

[73] Assignee: **Construction Specialties, Inc., Cranford, N.J.**

[**] Term: **14 Years**

[21] Appl. No.: **634,297**

[22] Filed: **Dec. 27, 1990**

[52] U.S. Cl. **D25/136; D6/300**

[58] Field of Search **D25/119, 136; 52/273-274, 287-290, 827; D6/300**

[56] **References Cited**

U.S. PATENT DOCUMENTS

261,958	8/1882	Maxwell et al.	D25/136
D. 306,772	3/1990	De'Armond	D25/136
2,298,743	10/1942	Lichter	52/287

3,205,628	9/1965	Frisk	52/273
4,648,225	3/1987	Waddell	52/288
4,709,522	12/1987	Carnahan	52/287

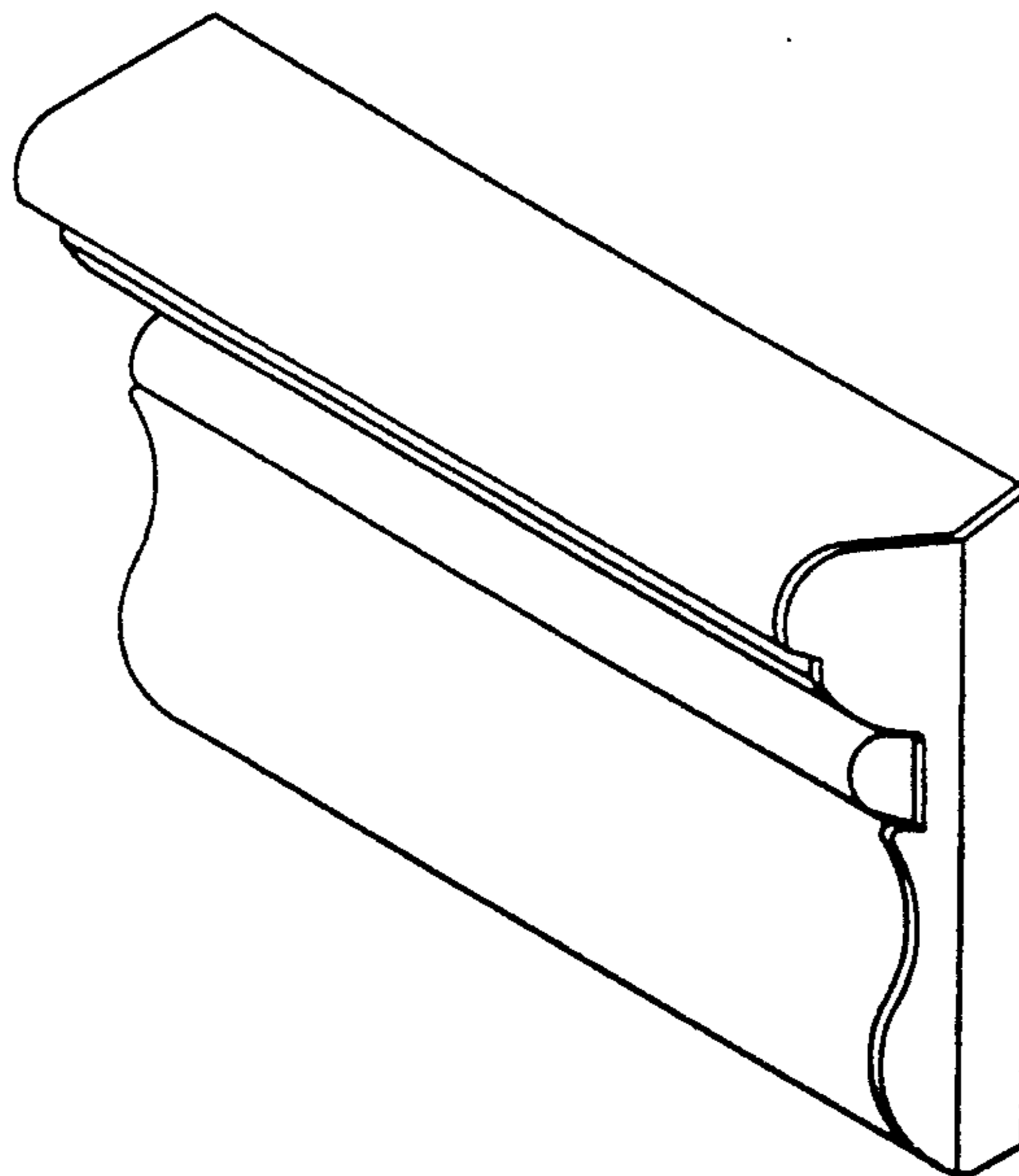
Primary Examiner—A. Hugo Word
Assistant Examiner—Doris Clark
Attorney, Agent, or Firm—Brumbaugh, Graves, Donohue & Raymond

[57] CLAIM

The ornamental design for a molding, as shown and described.

DESCRIPTION

FIG. 1 is a front perspective view of a molding showing my new design;
FIG. 2 is a top plan view thereof, the center being broken away to show indeterminate length;
FIG. 3 is a right end elevational view, the left end being a mirror image thereof; and,
FIG. 4 is a front elevational view thereof.



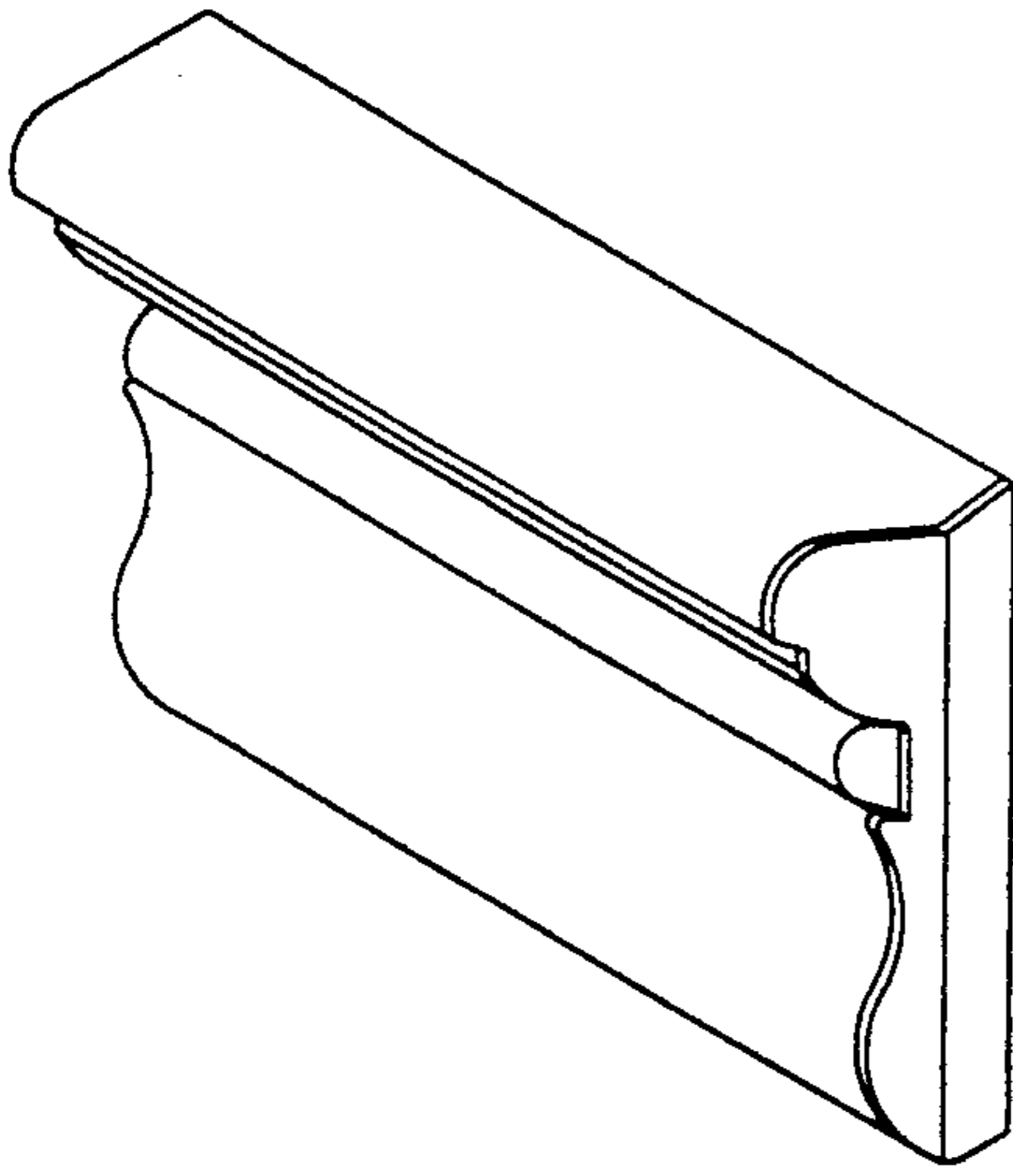


FIG. 1

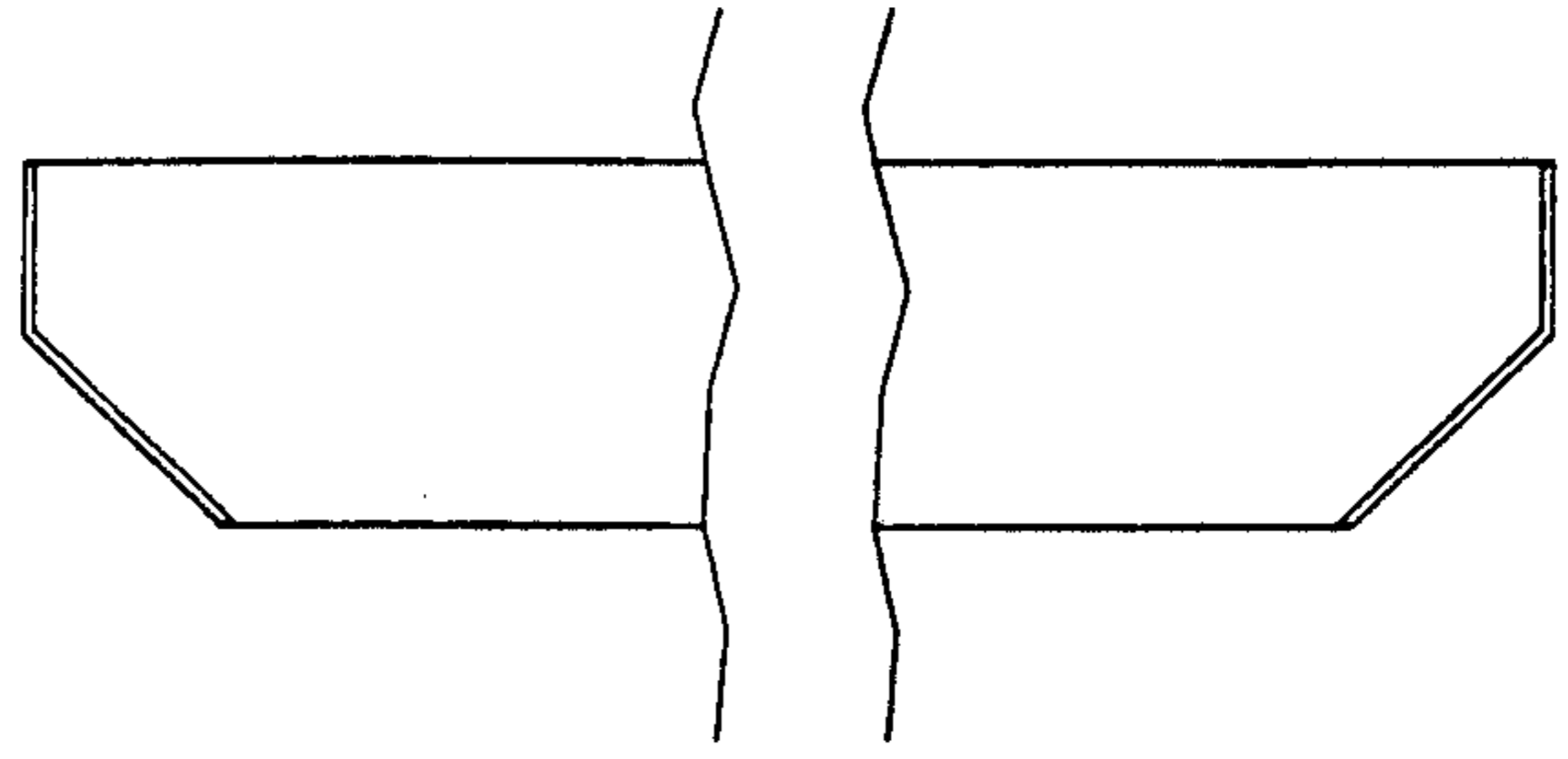


FIG. 2

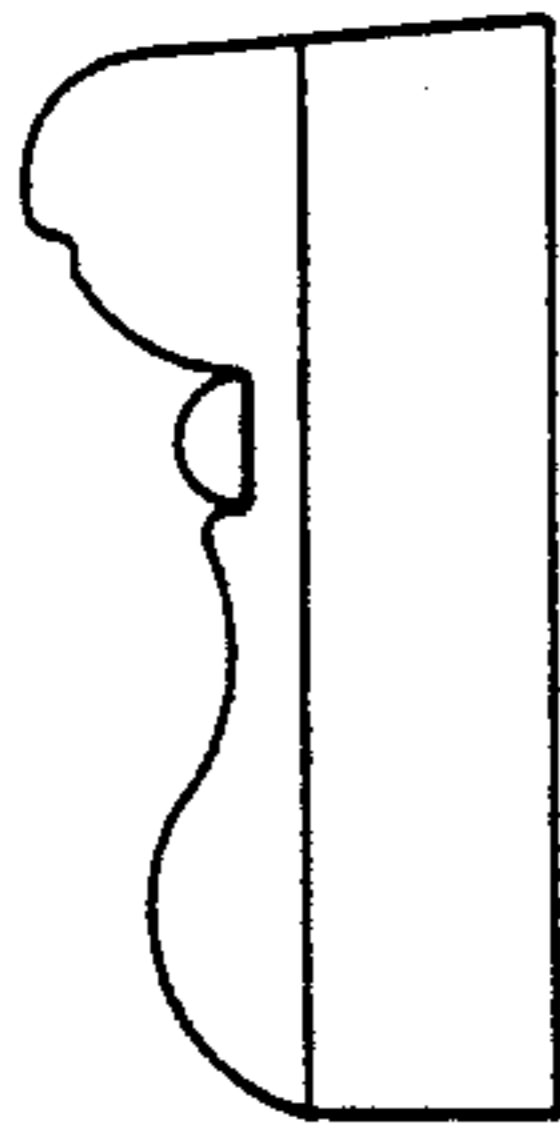


FIG. 3

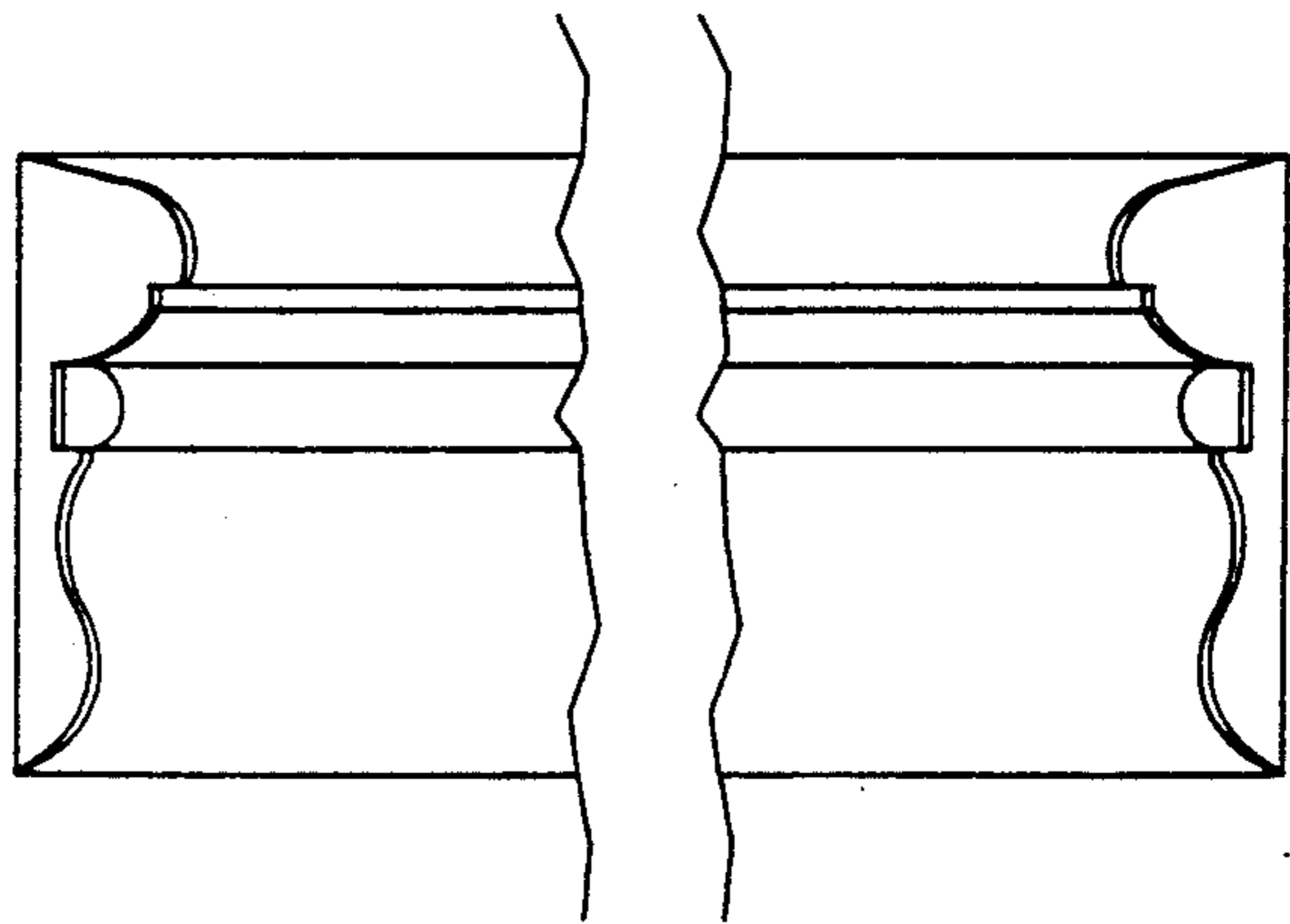


FIG. 4