



US00D332145S

United States Patent [19]

[11] Patent Number: **Des. 332,145**

Wada et al.

[45] Date of Patent: **** Dec. 29, 1992**

[54] **CENTRIFUGE TUBE**

Attorney, Agent, or Firm—Ostrolenk, Faber, Gerb & Soffen

[75] Inventors: **Atsuki Wada, Uji; Eiji Ohmae, Osaka; Yoshiro Hirajima, Uji; Taisuke Otsubo; Akira Kasuya, both of Kyoto, all of Japan**

[57] **CLAIM**

The ornamental design for a centrifuge tube, as shown and described.

[73] Assignee: **Kurashiki Boseki Kabushiki Kaisha, Japan**

DESCRIPTION

[**] Term: **14 Years**

FIG. 1 is a front elevational view of a centrifuge tube, showing our new design;
FIG. 2 is a top plan view thereof;
FIG. 3 is a left side elevational view thereof; the opposite side elevational view being a mirror image;
FIG. 4 is a bottom plan view thereof;
FIG. 5 is a cross-sectional view thereof, taken along the line V—V of FIG. 1;
FIG. 6 is a cross-sectional view thereof, taken along the line VI—VI of FIG. 1;
FIG. 7 is a cross-sectional view thereof, taken along the line VII—VII of FIG. 2;
FIG. 8 is a front elevational view of a second embodiment of a centrifuge tube;
FIG. 9 is a top plan view thereof;
FIG. 10 is a left side elevational view thereof; the opposite side elevational view being a mirror image;
FIG. 11 is a bottom plan view thereof;
FIG. 12 is a cross-sectional view thereof, taken along the line XII—XII of FIG. 8;
FIG. 13 is a cross-sectional view thereof, taken along the line XIII—XIII of FIG. 8; and,
FIG. 14 is a cross-sectional view thereof, taken along the line XIV—XIV of FIG. 9.

[21] Appl. No.: **538,518**

[22] Filed: **Jun. 15, 1990**

[30] **Foreign Application Priority Data**

Dec. 18, 1989 [JP] Japan 1-46035
[52] U.S. Cl. **D24/227; D24/223; D24/226**
[58] Field of Search **D24/224, 227, 226, 225; 494/16, 17, 20, 21, 70, 67; 422/72**

[56] **References Cited**

U.S. PATENT DOCUMENTS

D. 320,448 10/1991 Short **D24/226 X**
2,755,018 7/1956 Grela et al. **494/20 X**
3,905,772 9/1975 Hartwett et al. **422/72**

Primary Examiner—Stella Reid
Assistant Examiner—I. Simmons

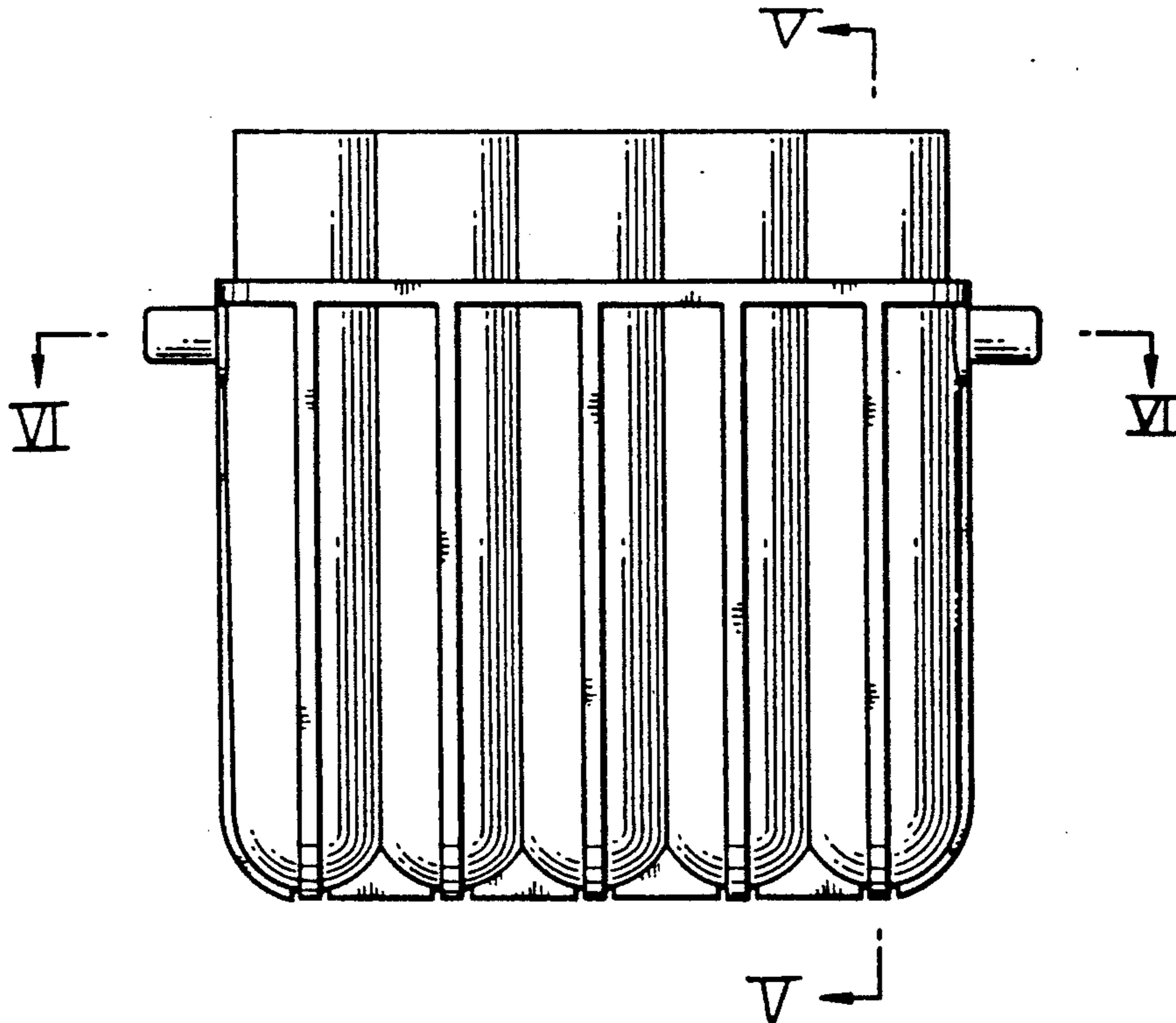


Fig. 1

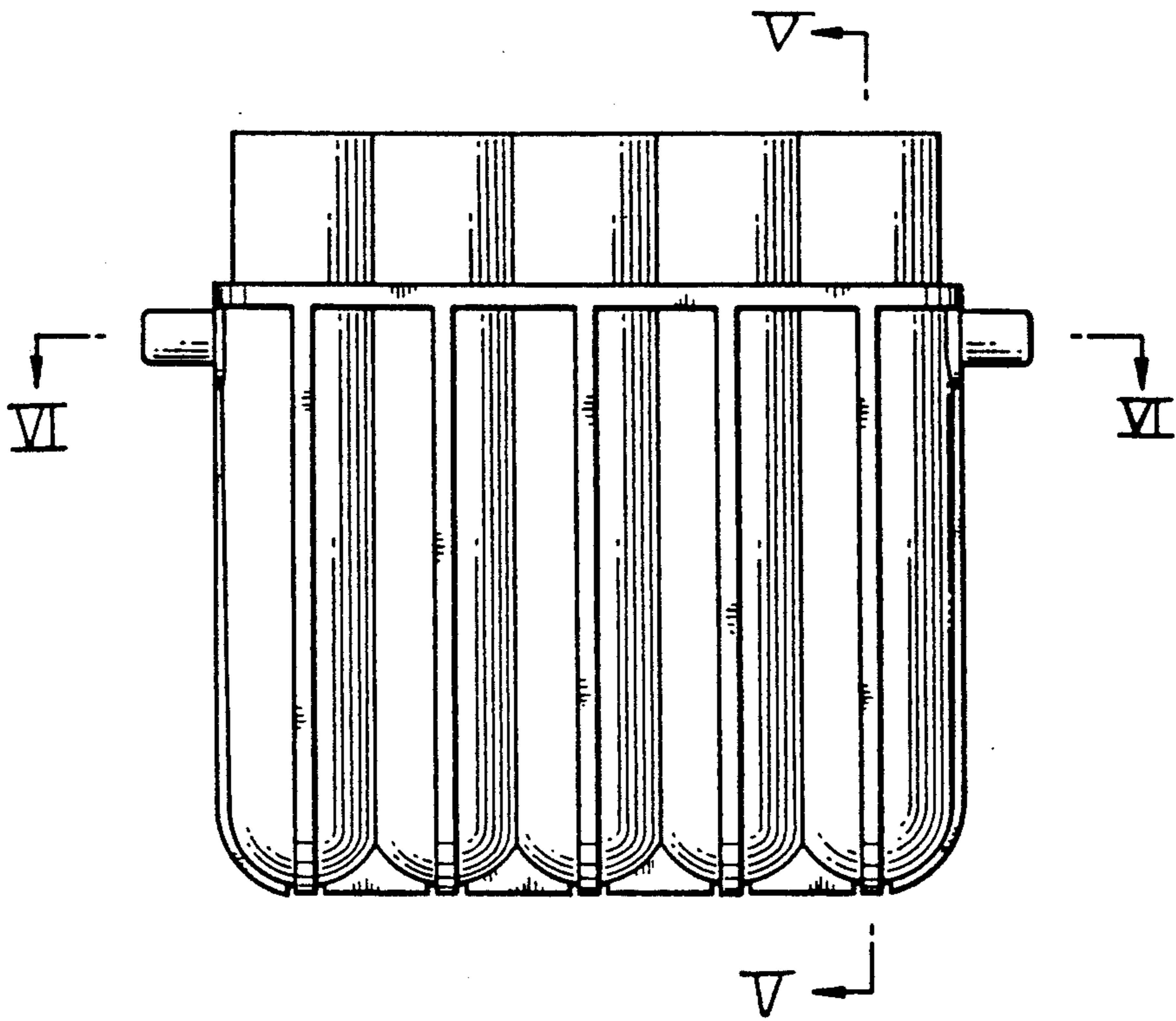


Fig. 2

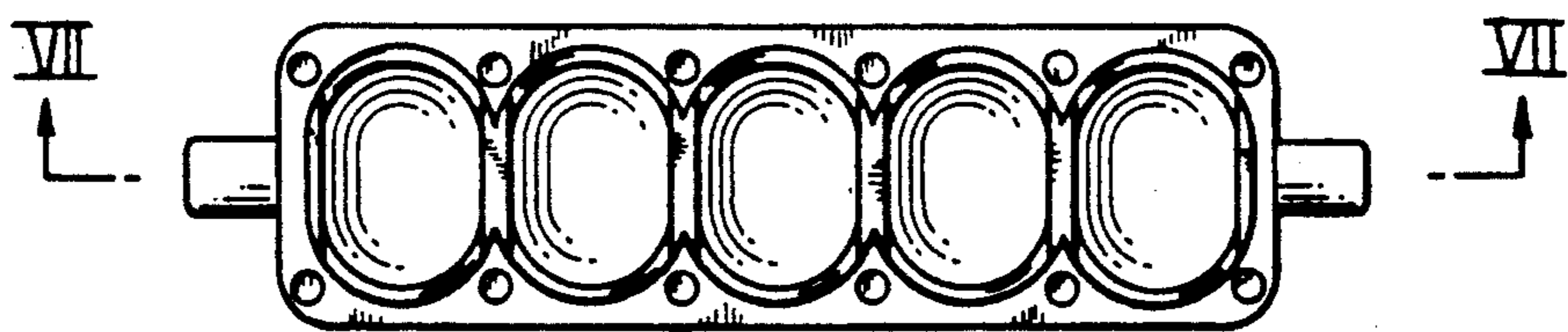


Fig. 3

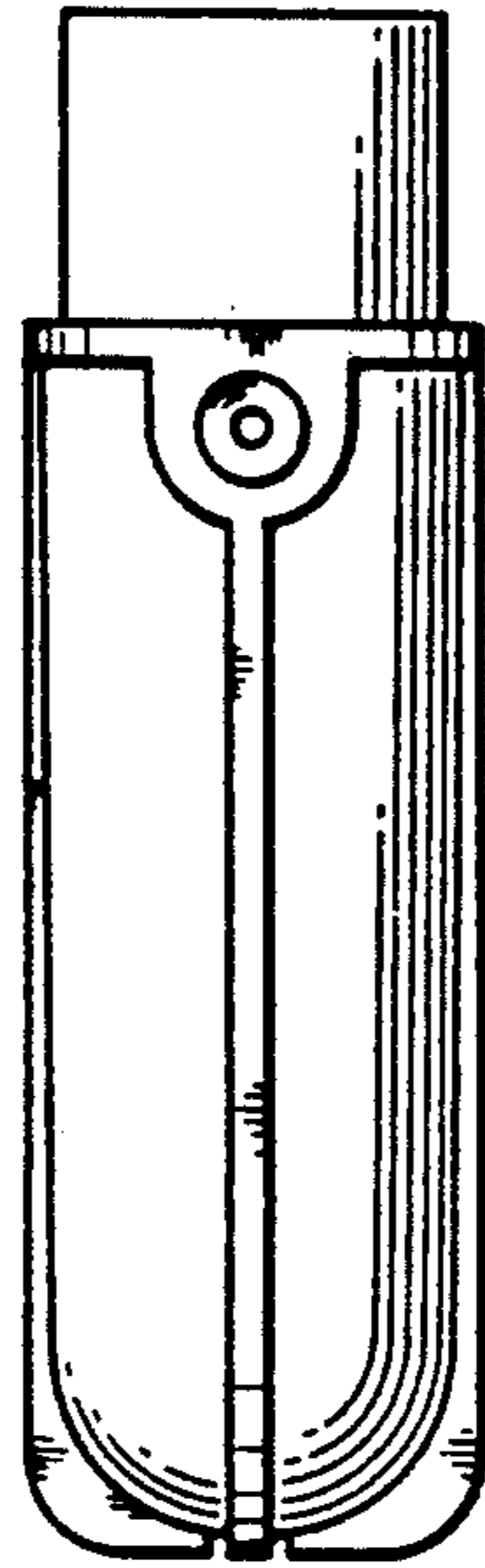


Fig. 4

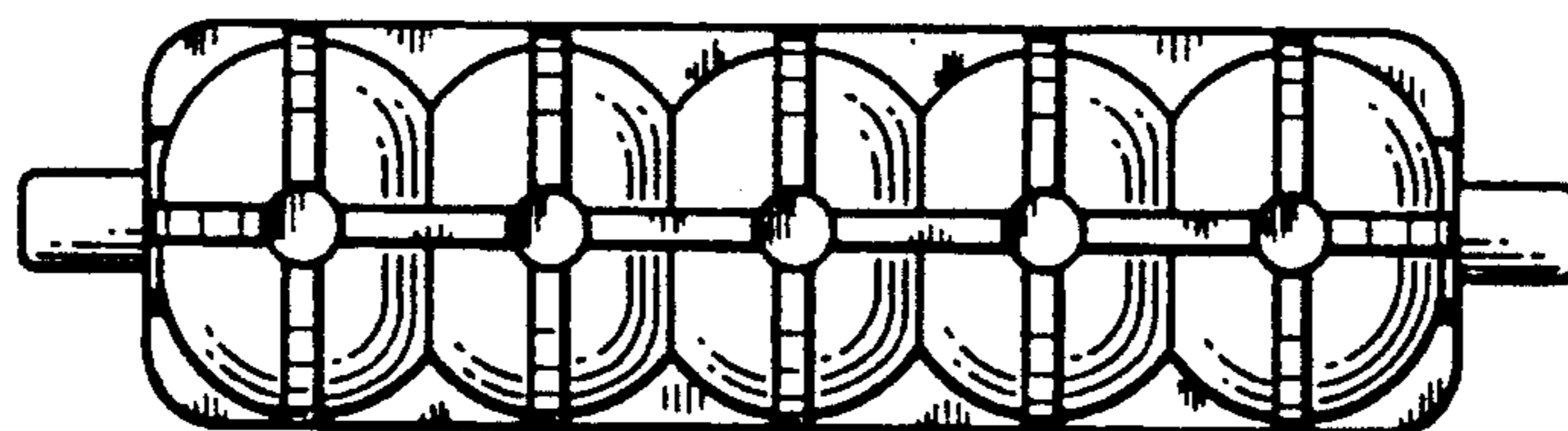


Fig. 5

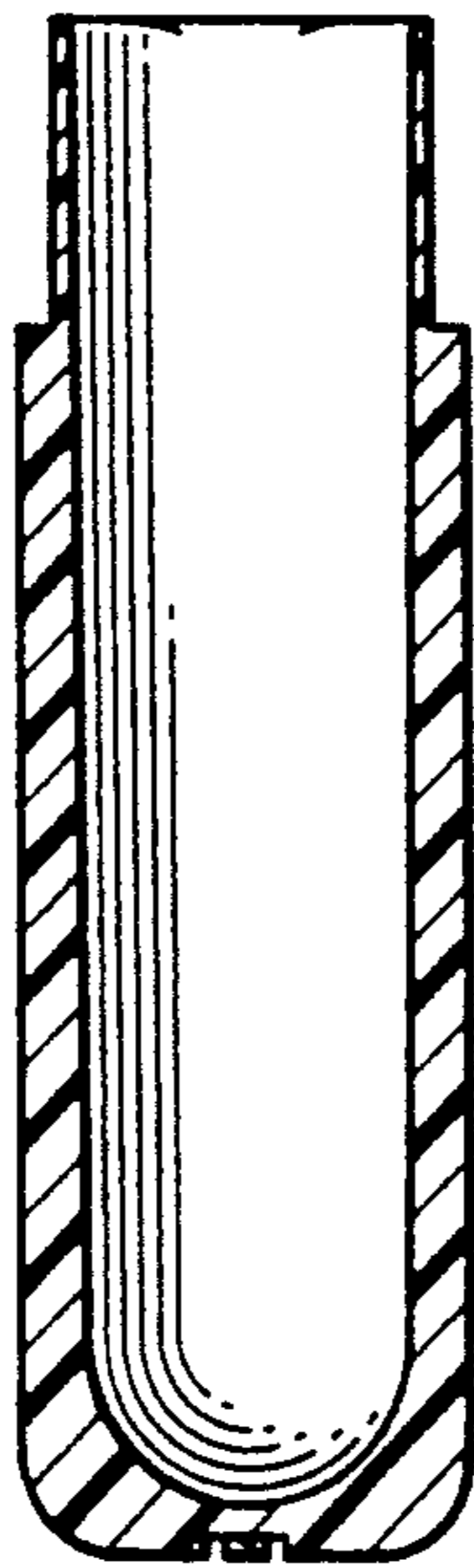


Fig. 6

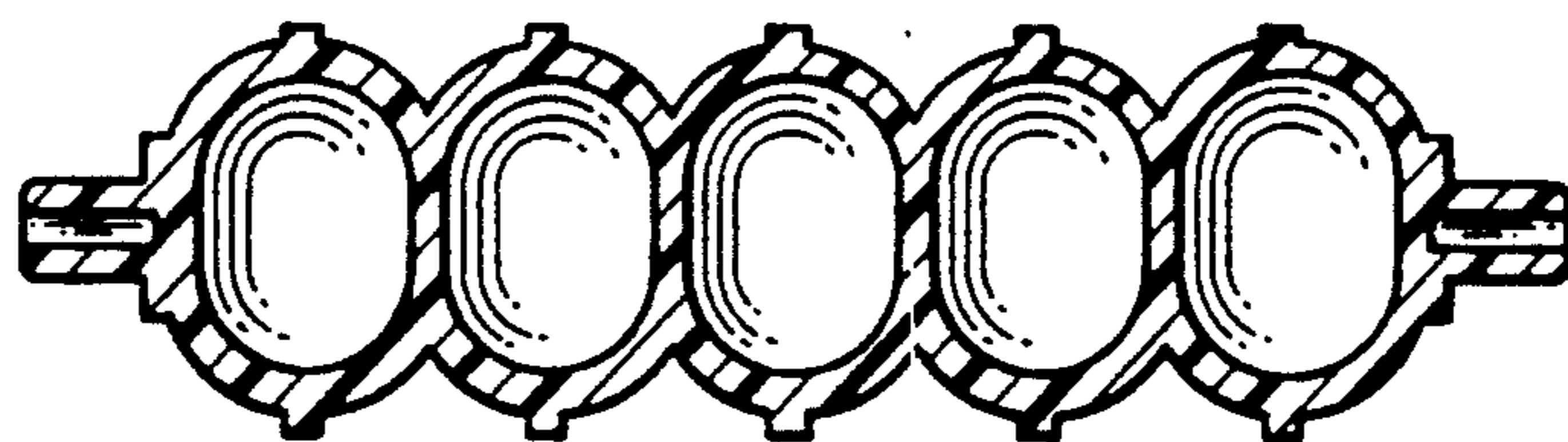


Fig. 7

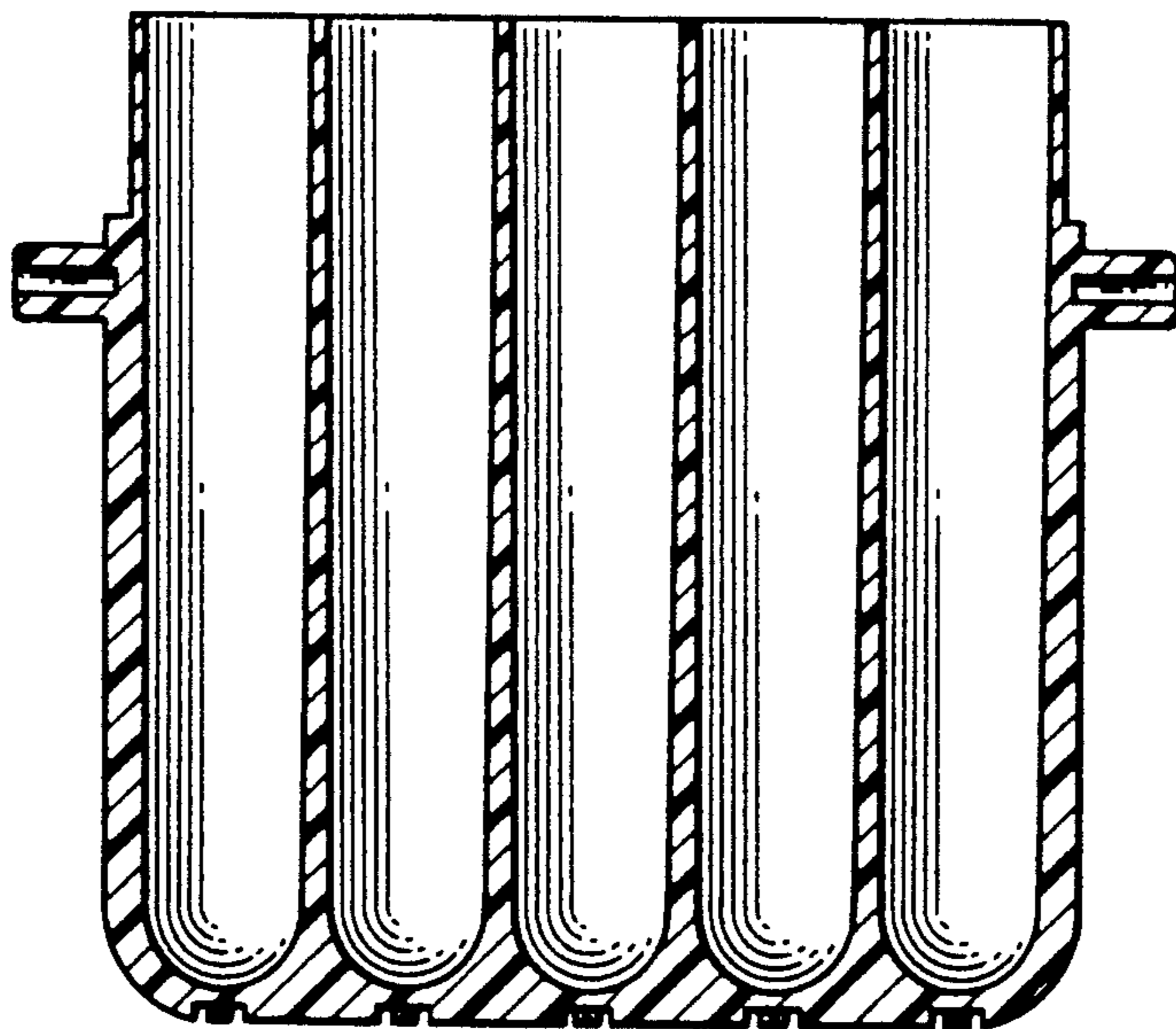


Fig. 8

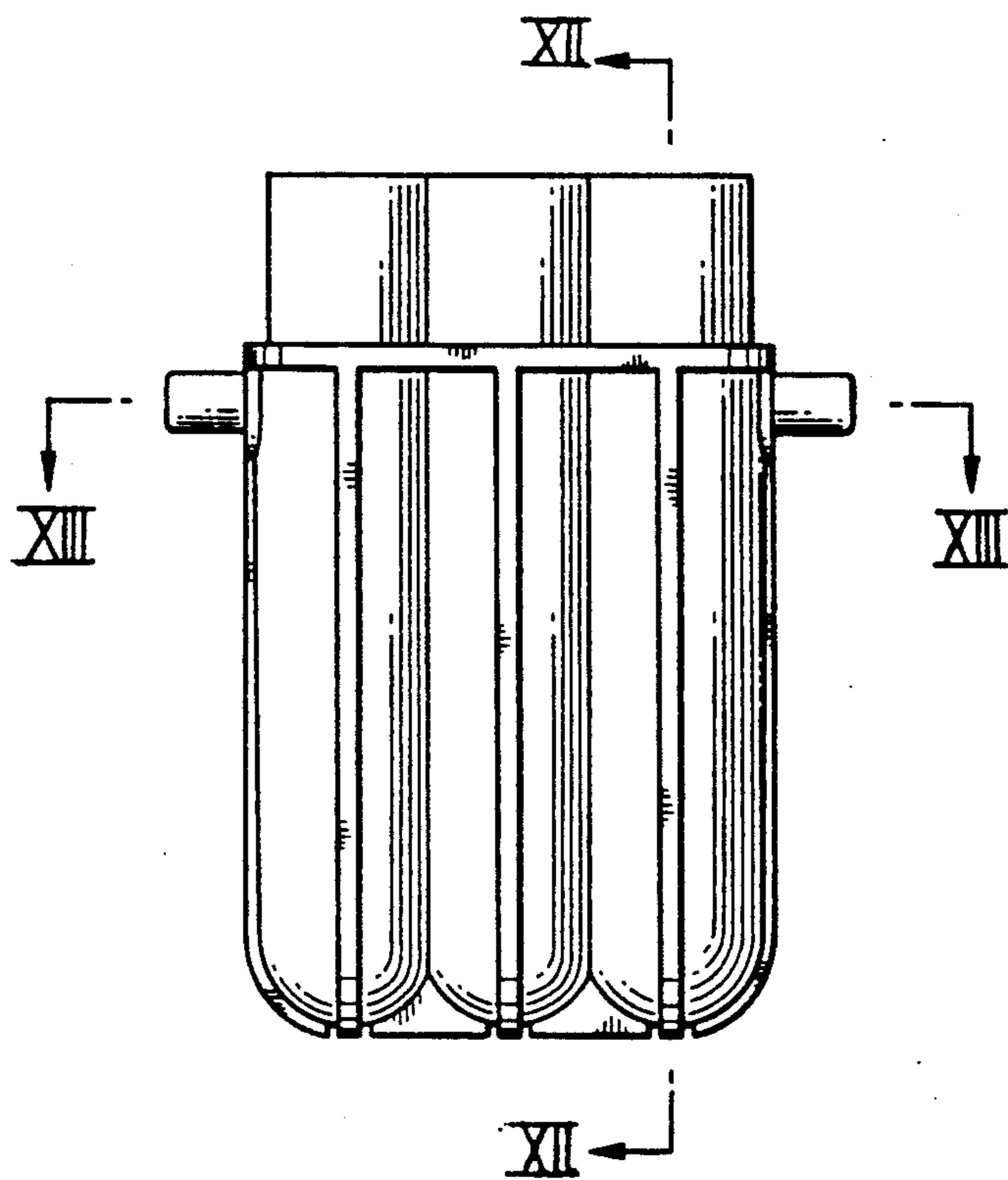


Fig. 9

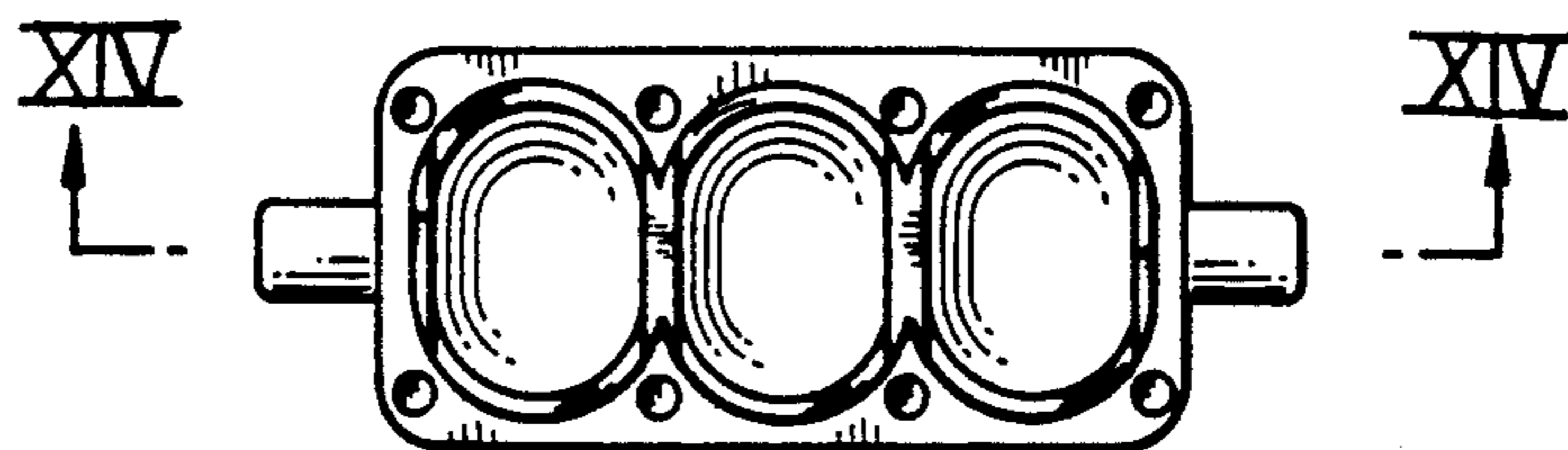


Fig. 10

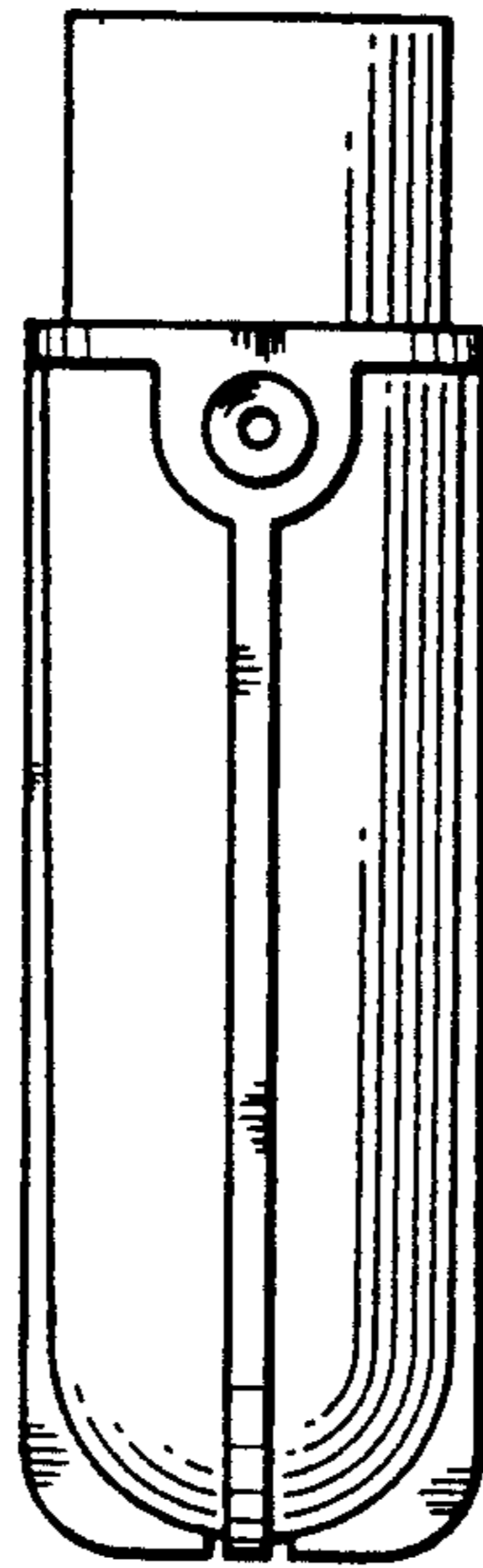


Fig. 11

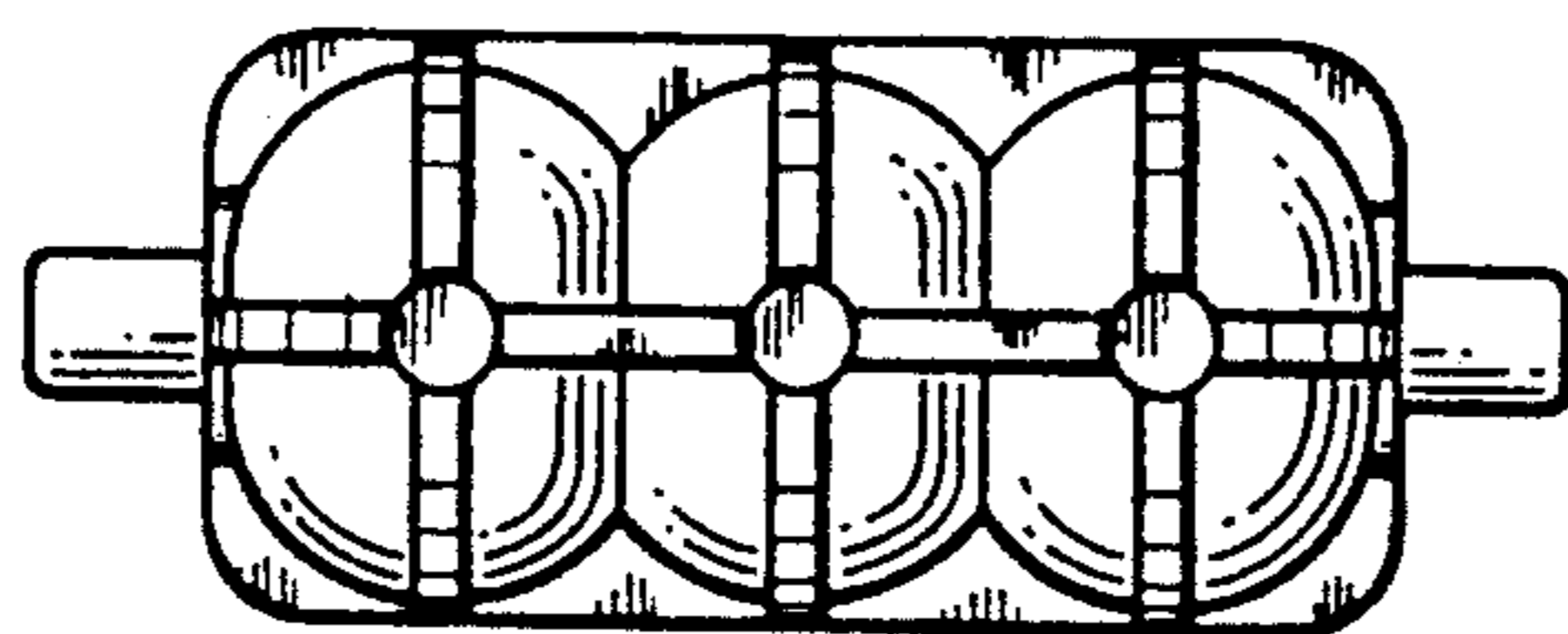


Fig. 12

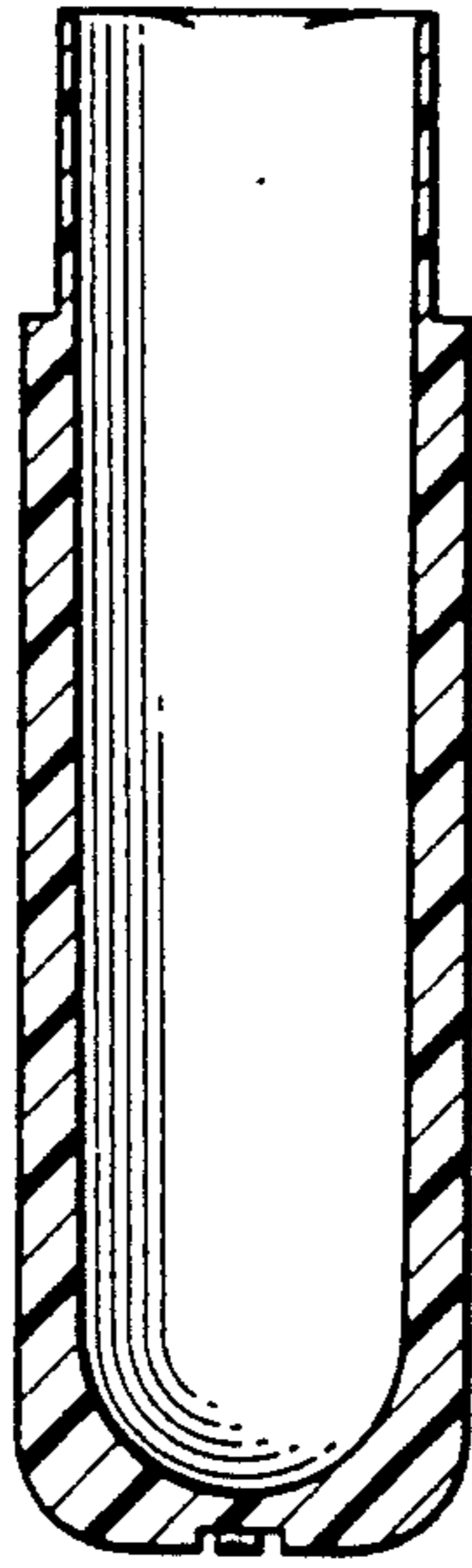
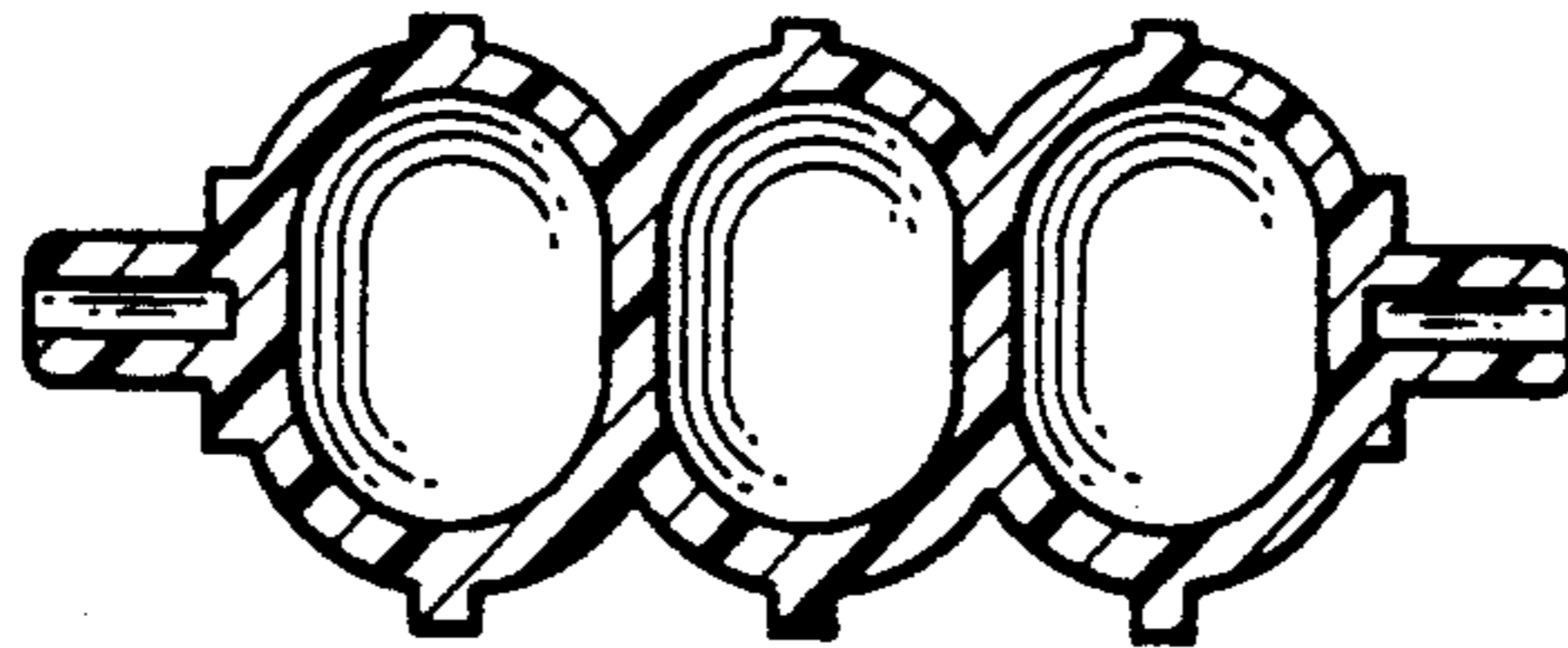


Fig. 13



F i g . 14

